

RECTANGULAR VENTILATION DUCTS AND FITTINGS INTEGRAL FLANGE CGF

R TRI p 3




Rectangular ducts

R CTR-90 p 5



Rectangular bends - 90°

R CTR-45 p 7



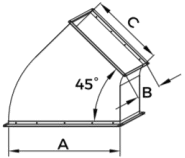
Rectangular bends - 45°

R CTRR-90 p 9



Rectangular elbows with variable cross-section - 90°

R CTRR-45 p 14



Rectangular elbows with variable cross-section - 45°

R PDRS p 19




Offsets

R PDRSR p 21




Offsets with rectangular cross-section

R RR Var. 1 p 25




Rectangular eccentric reducers Type 1

R RR Var. 2 p 29




Rectangular eccentric reducers Type 2

R RR Var. 3 p 33




Rectangular eccentric reducers Type 3

R RR Var. 4 p 37



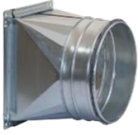
Rectangular eccentric reducers Type 4

R TRRC Var. 1 p 41



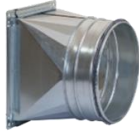
Square-to-round transitions Type 1

R TRRC Var. 2 p 43




Square-to-round transitions Type 2

R TRRC Var. 3 p 45



Square-to-round transitions Type 3

R TRRC Var. 4 p 47



Square-to-round transitions Type 4

R TERE p 49



Equal T-pieces

R TERR p 51



Reducing T-pieces

R TER45 Var. 1 p 53



T - pieces 45° Type 1

R TER45 Var. 2 p 54



T - pieces 45° Type 2

R RABLR p 57



Rectangular double branch bends

R PIPR5 p 60




Eccentric Variable Cross-Section Pant T-piece

R PIXRC p 63




Four-way pieces with round take-offs

R RALR p 67



T-pieces with take-off bend

R TER p 69



Four-way pieces with square take-offs



RECTANGULAR VENTILATION DUCTS AND FITTINGS INTEGRAL FLANGE CGF

R RARC

p 72



Collar on circular duct

R RARR

p 76



Collar

R CAR

p 78



End caps

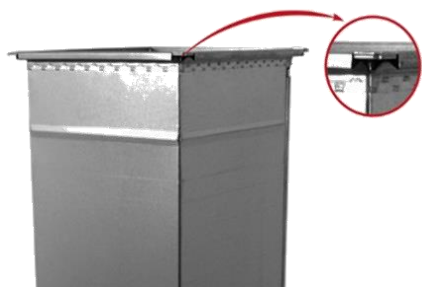


RECTANGULAR VENTILATION DUCTS AND FITTINGS INTEGRAL FLANGE CGF

Rectangular ducts with integral flange CGF

Rectangular ducts R TRI

Description:



All rectangular ducts are fitted with integral flange CGF frames made of sheet angles and braced by cross-wise ribbing. Larger ducts are additionally y braced with galvanized tubes. The ducts are manufactured in the following standard sections to standardize the fabrication.

Used Material:

Galvanized steel DX51, Class Z140.

Note:

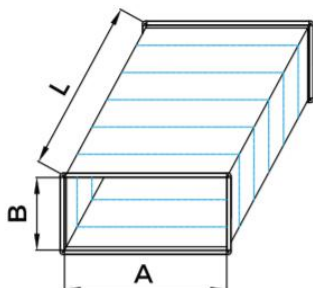
The thickness of the galvanized sheet varies depending on the fittings size.

Product Code Model

Explanation:

R TRI 150 100 1380 20 CGF 0,6 mm Z140

- R TRI** Type
- 150** Largest side A [mm]
- 100** Smallest side B [mm]
- 1380** Length L [mm]
- 20 CGF** Flange Class
- 0,6 mm** Thickness δ [mm]



SKU	TYPE	A [mm]	B [mm]	L [mm]	Thickness δ [mm]			
112521	R TRI 150 100 1380 20 CGF 0,6 mm Z140	150	100	1380	0,60			
107429	R TRI 150 150 1380 20 CGF 0,6 mm Z140	150	150	1380	0,60			
107430	R TRI 200 100 1380 20 CGF 0,6 mm Z140	200	100	1380	0,60			
107431	R TRI 200 150 1380 20 CGF 0,6 mm Z140	200	150	1380	0,60			
107432	R TRI 200 200 1380 20 CGF 0,6 mm Z140	200	200	1380	0,60			
107433	R TRI 250 150 1380 20 CGF 0,6 mm Z140	250	150	1380	0,60			
107434	R TRI 250 200 1380 20 CGF 0,6 mm Z140	250	200	1380	0,60			
107435	R TRI 250 250 1380 20 CGF 0,6 mm Z140	250	250	1380	0,60			
107436	R TRI 300 150 1380 20 CGF 0,6 mm Z140	300	150	1380	0,60			
107437	R TRI 300 200 1380 20 CGF 0,6 mm Z140	300	200	1380	0,60			
107438	R TRI 300 250 1380 20 CGF 0,6 mm Z140	300	250	1380	0,60			
107439	R TRI 300 300 1380 20 CGF 0,6 mm Z140	300	300	1380	0,60			
107440	R TRI 400 200 1380 20 CGF 0,6 mm Z140	400	200	1380	0,60			
107441	R TRI 400 250 1380 20 CGF 0,6 mm Z140	400	250	1380	0,60			
107442	R TRI 400 300 1380 20 CGF 0,6 mm Z140	400	300	1380	0,60			
107443	R TRI 400 400 1380 20 CGF 0,6 mm Z140	400	400	1380	0,60			
107444	R TRI 500 200 1380 20 CGF 0,6 mm Z140	500	200	1380	0,60			
107445	R TRI 500 250 1380 20 CGF 0,6 mm Z140	500	250	1380	0,60			
107446	R TRI 500 300 1380 20 CGF 0,6 mm Z140	500	300	1380	0,60			
107447	R TRI 500 350 1380 20 CGF 0,6 mm Z140	500	350	1380	0,60			
107448	R TRI 500 400 1380 20 CGF 0,6 mm Z140	500	400	1380	0,60			
107449	R TRI 500 500 1380 20 CGF 0,6 mm Z140	500	500	1380	0,60			
107450	R TRI 600 200 1380 20 CGF 0,6 mm Z140	600	200	1380	0,60			
107451	R TRI 600 250 1380 20 CGF 0,6 mm Z140	600	250	1380	0,60			
107452	R TRI 600 300 1380 20 CGF 0,6 mm Z140	600	300	1380	0,60			
107453	R TRI 600 400 1380 20 CGF 0,6 mm Z140	600	400	1380	0,60			
107454	R TRI 600 500 1380 20 CGF 0,6 mm Z140	600	500	1330	0,60			
107455	R TRI 600 600 1380 20 CGF 0,7 mm Z140	600	600	1330	0,70			
107456	R TRI 700 300 1380 20 CGF 0,7 mm Z140	700	300	1330	0,70			

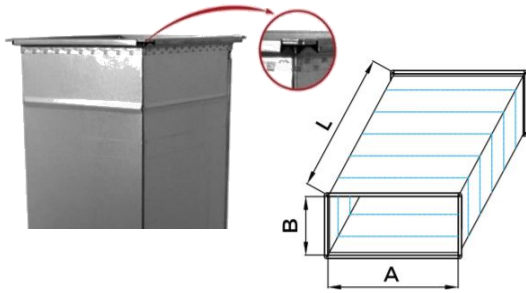
Note For the other sizes, please contact the commercial department.



RECTANGULAR VENTILATION DUCTS AND FITTINGS INTEGRAL FLANGE CGF

**Rectangular ducts
with integral flange CGF**

Rectangular ducts R TRI



Product Code Model

Explanation:

R TRI 700 350 1380 20 CGF 0,7 mm Z140

- R TRI** Type **1380** Length L [mm]
- 700** Largest side A [mm] **20 CGF** Flange Class
- 350** Smallest side B [mm] **0,7 mm** Thickness δ [mm]

SKU	TYPE	A [mm]	B [mm]	L [mm]	Thickness δ [mm]			
107457	R TRI 700 350 1380 20 CGF 0,7 mm Z140	700	350	1330	0,70			
107458	R TRI 700 400 1380 20 CGF 0,7 mm Z140	700	400	1330	0,70			
107459	R TRI 700 500 1380 20 CGF 0,7 mm Z140	700	500	1330	0,70			
107460	R TRI 700 600 1380 20 CGF 0,7 mm Z140	700	600	1330	0,70			
107461	R TRI 700 700 1380 20 CGF 0,7 mm Z140	700	700	1330	0,70			
107462	R TRI 800 300 1380 20 CGF 0,7 mm Z140	800	300	1330	0,70			
107463	R TRI 800 350 1380 20 CGF 0,7 mm Z140	800	350	1330	0,70			
107464	R TRI 800 400 1380 20 CGF 0,7 mm Z140	800	400	1330	0,70			
107465	R TRI 800 500 1380 20 CGF 0,7 mm Z140	800	500	1330	0,70			
107466	R TRI 800 600 1380 20 CGF 0,8 mm Z140	800	600	1330	0,80			
107467	R TRI 800 700 1380 20 CGF 0,8 mm Z140	800	700	1330	0,80			
107468	R TRI 800 800 1380 20 CGF 0,8 mm Z140	800	800	1330	0,80			
107469	R TRI 900 300 1380 20 CGF 0,8 mm Z140	900	300	1330	0,80			
107470	R TRI 900 350 1380 20 CGF 0,8 mm Z140	900	350	1330	0,80			
107471	R TRI 900 400 1380 20 CGF 0,8 mm Z140	900	400	1330	0,80			
107472	R TRI 900 500 1380 20 CGF 0,8 mm Z140	900	500	1330	0,80			
107473	R TRI 900 600 1380 20 CGF 0,8 mm Z140	900	600	1330	0,80			
107474	R TRI 900 700 1380 20 CGF 0,8 mm Z140	900	700	1330	0,80			
107475	R TRI 900 800 1380 20 CGF 0,8 mm Z140	900	800	1330	0,80			
107476	R TRI 900 900 1380 20 CGF 0,8 mm Z140	900	900	1330	0,80			
107477	R TRI 1000 350 1380 20 CGF 0,8 mm Z140	1000	350	1330	0,80			
107478	R TRI 1000 400 1380 20 CGF 0,8 mm Z140	1000	400	1330	0,80			
107479	R TRI 1000 500 1330 30 CGF 1 mm Z140	1000	500	1330	1,00			
107480	R TRI 1000 600 1330 30 CGF 1 mm Z140	1000	600	1330	1,00			
107481	R TRI 1000 700 1330 30 CGF 1 mm Z140	1000	700	1330	1,00			
107482	R TRI 1000 800 1330 30 CGF 1 mm Z140	1000	800	1330	1,00			
107483	R TRI 1000 900 1330 30 CGF 1 mm Z140	1000	900	1330	1,00			
107484	R TRI 1000 1000 1330 30 CGF 1 mm Z140	1000	1000	1330	1,00			

Note

For the other sizes, please contact the commercial department.



RECTANGULAR VENTILATION DUCTS AND FITTINGS INTEGRAL FLANGE CGF

Rectangular elbows with integral flange CGF

Rectangular bends R CTR - 90°



Description:

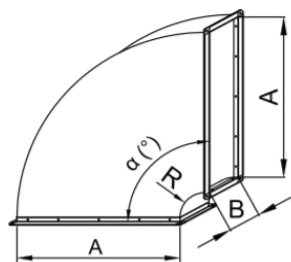
The 90° elbows are fitted with sheet angles, and the entire product is braced by cross-wise ribbing.

Used Material:

Galvanized steel DX51, Class Z100.

Note:

The thickness of the galvanized sheet varies depending on the fittings size.



Product Code Model

Explanation:

R CTR 150 100 90 100 0D 20 CGF 0,5 mm Z140

R CTR Type	100 Radius R = 100 [mm]
150 A [mm]	0D 0 Air director
100 B [mm]	20 CGF Flange Class
90 Angle α	0,5 mm Thickness δ [mm]

SKU	TYPE	A [mm]	B [mm]	R [mm]	α [°]	Thickness δ [mm]		
107485	R CTR 150 100 90 100 0D 20 CGF 0,5 mm Z140	150	100	100	90	0,50		
107486	R CTR 150 150 90 100 0D 20 CGF 0,5 mm Z140	150	150	100	90	0,50		
107487	R CTR 200 100 90 100 0D 20 CGF 0,5 mm Z140	200	100	100	90	0,50		
107488	R CTR 200 150 90 100 0D 20 CGF 0,5 mm Z140	200	150	100	90	0,50		
107489	R CTR 200 200 90 100 0D 20 CGF 0,5 mm Z140	200	200	100	90	0,50		
107490	R CTR 250 150 90 100 0D 20 CGF 0,5 mm Z140	250	150	100	90	0,50		
107491	R CTR 250 200 90 100 0D 20 CGF 0,5 mm Z140	250	200	100	90	0,50		
107492	R CTR 250 250 90 100 0D 20 CGF 0,5 mm Z140	250	250	100	90	0,50		
107493	R CTR 300 150 90 100 0D 20 CGF 0,6 mm Z140	300	150	100	90	0,60		
107494	R CTR 300 200 90 100 0D 20 CGF 0,6 mm Z140	300	200	100	90	0,60		
107495	R CTR 300 250 90 100 0D 20 CGF 0,6 mm Z140	300	250	100	90	0,60		
107496	R CTR 300 300 90 100 0D 20 CGF 0,6 mm Z140	300	300	100	90	0,60		
107497	R CTR 400 200 90 100 1D 20 CGF 0,6 mm Z140	400	200	100	90	0,60		
107498	R CTR 400 250 90 100 1D 20 CGF 0,6 mm Z140	400	250	100	90	0,60		
107499	R CTR 400 300 90 100 1D 20 CGF 0,6 mm Z140	400	300	100	90	0,60		
107500	R CTR 400 400 90 100 1D 20 CGF 0,6 mm Z140	400	400	100	90	0,60		
107501	R CTR 500 200 90 100 1D 20 CGF 0,6 mm Z140	500	200	100	90	0,60		
107502	R CTR 500 250 90 100 1D 20 CGF 0,6 mm Z140	500	250	100	90	0,60		
107503	R CTR 500 300 90 100 1D 20 CGF 0,6 mm Z140	500	300	100	90	0,60		
107504	R CTR 500 350 90 100 1D 20 CGF 0,6 mm Z140	500	350	100	90	0,60		
107505	R CTR 500 400 90 100 1D 20 CGF 0,6 mm Z140	500	400	100	90	0,60		
107506	R CTR 500 500 90 100 1D 20 CGF 0,6 mm Z140	500	500	100	90	0,60		
107507	R CTR 600 200 90 100 1D 20 CGF 0,6 mm Z140	600	200	100	90	0,60		
107508	R CTR 600 250 90 100 1D 20 CGF 0,6 mm Z140	600	250	100	90	0,60		
107509	R CTR 600 300 90 100 1D 20 CGF 0,6 mm Z140	600	300	100	90	0,60		
107510	R CTR 600 400 90 100 1D 20 CGF 0,6 mm Z140	600	400	100	90	0,60		

Note

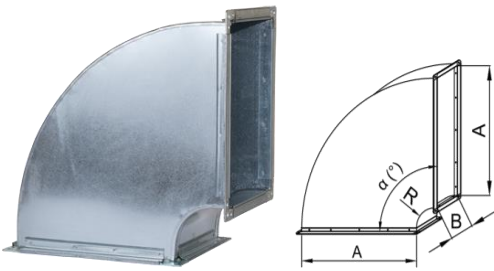
For the other sizes, please contact the commercial department.



RECTANGULAR VENTILATION DUCTS AND FITTINGS INTEGRAL FLANGE CGF

Rectangular elbows with integral flange CGF

Rectangular bends R CTR - 90°



Product Code Model

Explanation:

R CTR 600 500 90 100 1D 20 CGF 0,6 mm Z140

- R CTR** Type
- 600** A [mm]
- 500** B [mm]
- 90** Angle α
- 100** Radius R = 100 [mm]
- 1D** 1 Air director
- 20 CGF** Flange Class
- 0,6 mm** Thickness δ [mm]

SKU	TYPE	A [mm]	B [mm]	R [mm]	α [°]	Thickness δ [mm]		
107511	R CTR 600 500 90 100 1D 20 CGF 0,6 mm Z140	600	500	100	90	0,60		
107512	R CTR 600 600 90 100 1D 20 CGF 0,7 mm Z140	600	600	100	90	0,70		
107513	R CTR 700 300 90 100 1D 20 CGF 0,7 mm Z140	700	300	100	90	0,70		
107514	R CTR 700 350 90 100 1D 20 CGF 0,7 mm Z140	700	350	100	90	0,70		
107515	R CTR 700 400 90 100 1D 20 CGF 0,7 mm Z140	700	400	100	90	0,70		
107516	R CTR 700 500 90 100 1D 20 CGF 0,7 mm Z140	700	500	100	90	0,70		
107517	R CTR 700 600 90 100 1D 20 CGF 0,7 mm Z140	700	600	100	90	0,70		
107518	R CTR 700 700 90 100 1D 20 CGF 0,7 mm Z140	700	700	100	90	0,70		
107519	R CTR 800 300 90 100 1D 20 CGF 0,7 mm Z140	800	300	100	90	0,70		
107520	R CTR 800 350 90 100 1D 20 CGF 0,7 mm Z140	800	350	100	90	0,70		
107521	R CTR 800 400 90 100 1D 20 CGF 0,7 mm Z140	800	400	100	90	0,70		
107522	R CTR 800 500 90 100 1D 20 CGF 0,8 mm Z140	800	500	100	90	0,80		
107523	R CTR 800 600 90 100 1D 20 CGF 0,8 mm Z140	800	600	100	90	0,80		
107524	R CTR 800 700 90 100 1D 20 CGF 0,8 mm Z140	800	700	100	90	0,80		
107525	R CTR 800 800 90 100 1D 20 CGF 0,8 mm Z140	800	800	100	90	0,80		
107526	R CTR 900 300 90 100 2D 20 CGF 0,8 mm Z140	900	300	100	90	0,80		
107527	R CTR 900 350 90 100 2D 20 CGF 0,8 mm Z140	900	350	100	90	0,80		
107528	R CTR 900 400 90 100 2D 20 CGF 0,8 mm Z140	900	400	100	90	0,80		
107529	R CTR 900 500 90 100 2D 20 CGF 0,8 mm Z140	900	500	100	90	0,80		
107530	R CTR 900 600 90 100 2D 20 CGF 0,8 mm Z140	900	600	100	90	0,80		
107531	R CTR 900 700 90 100 2D 20 CGF 0,8 mm Z140	900	700	100	90	0,80		
107532	R CTR 900 800 90 100 2D 20 CGF 0,8 mm Z140	900	800	100	90	0,80		
107533	R CTR 900 900 90 100 2D 20 CGF 0,8 mm Z140	900	900	100	90	0,80		
107534	R CTR 1000 350 90 100 2D 20 CGF 0,8 mm Z140	1000	350	100	90	0,80		
107535	R CTR 1000 400 90 100 2D 20 CGF 0,8 mm Z140	1000	400	100	90	0,80		
107536	R CTR 1000 500 90 100 2D 30 CGF 1 mm Z140	1000	500	100	90	1,00		
107537	R CTR 1000 600 90 100 2D 30 CGF 1 mm Z140	1000	600	100	90	1,00		
107538	R CTR 1000 700 90 100 2D 30 CGF 1 mm Z140	1000	700	100	90	1,00		
107539	R CTR 1000 800 90 100 2D 30 CGF 1 mm Z140	1000	800	100	90	1,00		
107540	R CTR 1000 900 90 100 2D 30 CGF 1 mm Z140	1000	900	100	90	1,00		
107541	R CTR 1000 1000 90 100 2D 30 CGF 1 mm Z140	1000	1000	100	90	1,00		

Note

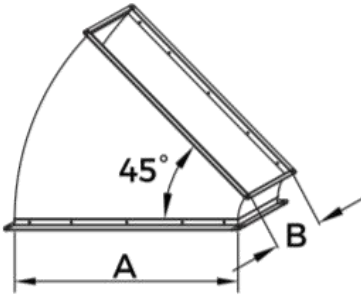
For the other sizes, please contact the commercial department.



RECTANGULAR VENTILATION DUCTS AND FITTINGS INTEGRAL FLANGE CGF

Rectangular elbows with integral flange CGF

Rectangular bends - 45° R CTR



Description:

The 45° elbows are fitted with sheet angles, and the entire product is braced by cross-wise ribbing.

Used Material:

Galvanized steel DX51, Class Z100.

Note:

The thickness of the galvanized sheet varies depending on the fittings size.

Product Code Model

Explanation:

R CTR 150 100 45 100 0D 20 CGF 0,5 mm Z140

- R CTR** Type
- 150** A [mm]
- 100** B [mm]
- 45** Angle $\alpha 45^\circ$
- 100** Radius R = 100 [mm]
- 0D** 0 Air director
- 20 CGF** Flange Class
- 0,5 mm** Thickness δ [mm]

SKU	TYPE	A [mm]	B [mm]	R [mm]	α [°]	Thickness δ [mm]		
107542	R CTR 150 100 45 100 0D 20 CGF 0,5 mm Z140	150	100	100	45	0,50		
107543	R CTR 150 150 45 100 0D 20 CGF 0,5 mm Z140	150	150	100	45	0,50		
107544	R CTR 200 100 45 100 0D 20 CGF 0,5 mm Z140	200	100	100	45	0,50		
107545	R CTR 200 150 45 100 0D 20 CGF 0,5 mm Z140	200	150	100	45	0,50		
107546	R CTR 200 200 45 100 0D 20 CGF 0,5 mm Z140	200	200	100	45	0,50		
107547	R CTR 250 150 45 100 0D 20 CGF 0,5 mm Z140	250	150	100	45	0,50		
107548	R CTR 250 200 45 100 0D 20 CGF 0,5 mm Z140	250	200	100	45	0,50		
107549	R CTR 250 250 45 100 0D 20 CGF 0,5 mm Z140	250	250	100	45	0,50		
107550	R CTR 300 150 45 100 0D 20 CGF 0,6 mm Z140	300	150	100	45	0,60		
107551	R CTR 300 200 45 100 0D 20 CGF 0,6 mm Z140	300	200	100	45	0,60		
107552	R CTR 300 250 45 100 0D 20 CGF 0,6 mm Z140	300	250	100	45	0,60		
107553	R CTR 300 300 45 100 0D 20 CGF 0,6 mm Z140	300	300	100	45	0,60		
107554	R CTR 400 200 45 100 0D 20 CGF 0,6 mm Z140	400	200	100	45	0,60		
107555	R CTR 400 250 45 100 0D 20 CGF 0,6 mm Z140	400	250	100	45	0,60		
107556	R CTR 400 300 45 100 0D 20 CGF 0,6 mm Z140	400	300	100	45	0,60		
107557	R CTR 400 400 45 100 0D 20 CGF 0,6 mm Z140	400	400	100	45	0,60		
107558	R CTR 500 200 45 100 0D 20 CGF 0,6 mm Z140	500	200	100	45	0,60		
107559	R CTR 500 250 45 100 0D 20 CGF 0,6 mm Z140	500	250	100	45	0,60		
107560	R CTR 500 300 45 100 0D 20 CGF 0,6 mm Z140	500	300	100	45	0,60		
107561	R CTR 500 350 45 100 0D 20 CGF 0,6 mm Z140	500	350	100	45	0,60		
107562	R CTR 500 400 45 100 0D 20 CGF 0,6 mm Z140	500	400	100	45	0,60		
107563	R CTR 500 500 45 100 0D 20 CGF 0,6 mm Z140	500	500	100	45	0,60		
107564	R CTR 600 200 45 100 0D 20 CGF 0,6 mm Z140	600	200	100	45	0,60		
107565	R CTR 600 250 45 100 0D 20 CGF 0,6 mm Z140	600	250	100	45	0,60		
107566	R CTR 600 300 45 100 0D 20 CGF 0,6 mm Z140	600	300	100	45	0,60		
107567	R CTR 600 400 45 100 0D 20 CGF 0,6 mm Z140	600	400	100	45	0,60		

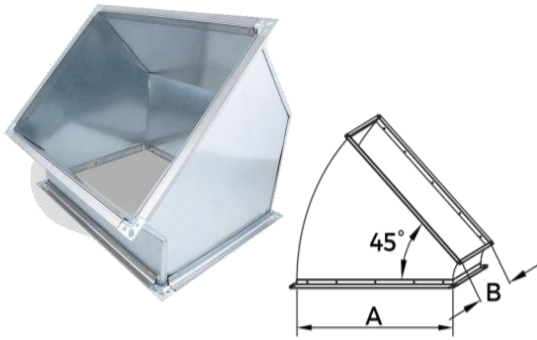
Note

For the other sizes, please contact the commercial department.

RECTANGULAR VENTILATION DUCTS AND FITTINGS INTEGRAL FLANGE CGF

**Rectangular elbows
with integral flange CGF**

Rectangular bends - 45° R CTR



Product Code Model

Explanation:

R CTR 600 500 45 100 0D 20 CGF 0,6 mm Z140

- R CTR** Type
- 600** A [mm]
- 500** B [mm]
- 45** Angle $\alpha 45^\circ$
- 100** Radius R = 100 [mm]
- 0D** 0 Air director
- 20 CGF** Flange Class
- 0,6 mm** Thickness δ [mm]

SKU	TYPE	A [mm]	B [mm]	R [mm]	α [°]	Thickness δ [mm]		
107568	R CTR 600 500 45 100 0D 20 CGF 0,6 mm Z140	600	500	100	45	0,60		
107569	R CTR 600 600 45 100 0D 20 CGF 0,7 mm Z140	600	600	100	45	0,70		
107570	R CTR 700 300 45 100 0D 20 CGF 0,7 mm Z140	700	300	100	45	0,70		
107571	R CTR 700 350 45 100 0D 20 CGF 0,7 mm Z140	700	350	100	45	0,70		
107572	R CTR 700 400 45 100 0D 20 CGF 0,7 mm Z140	700	400	100	45	0,70		
107573	R CTR 700 500 45 100 0D 20 CGF 0,7 mm Z140	700	500	100	45	0,70		
107574	R CTR 700 600 45 100 0D 20 CGF 0,7 mm Z140	700	600	100	45	0,70		
107575	R CTR 700 700 45 100 0D 20 CGF 0,7 mm Z140	700	700	100	45	0,70		
107576	R CTR 800 300 45 100 0D 20 CGF 0,7 mm Z140	800	300	100	45	0,70		
107577	R CTR 800 350 45 100 0D 20 CGF 0,7 mm Z140	800	350	100	45	0,70		
107578	R CTR 800 400 45 100 0D 20 CGF 0,7 mm Z140	800	400	100	45	0,70		
107579	R CTR 800 500 45 100 0D 20 CGF 0,8 mm Z140	800	500	100	45	0,80		
107580	R CTR 800 600 45 100 0D 20 CGF 0,8 mm Z140	800	600	100	45	0,80		
107581	R CTR 800 700 45 100 0D 20 CGF 0,8 mm Z140	800	700	100	45	0,80		
107582	R CTR 800 800 45 100 0D 20 CGF 0,8 mm Z140	800	800	100	45	0,80		
107583	R CTR 900 300 45 100 0D 20 CGF 0,8 mm Z140	900	300	100	45	0,80		
107584	R CTR 900 350 45 100 0D 20 CGF 0,8 mm Z140	900	350	100	45	0,80		
107585	R CTR 900 400 45 100 0D 20 CGF 0,8 mm Z140	900	400	100	45	0,80		
107586	R CTR 900 500 45 100 0D 20 CGF 0,8 mm Z140	900	500	100	45	0,80		
107587	R CTR 900 600 45 100 0D 20 CGF 0,8 mm Z140	900	600	100	45	0,80		
107588	R CTR 900 700 45 100 0D 20 CGF 0,8 mm Z140	900	700	100	45	0,80		
107589	R CTR 900 800 45 100 0D 20 CGF 0,8 mm Z140	900	800	100	45	0,80		
107590	R CTR 900 900 45 100 0D 20 CGF 0,8 mm Z140	900	900	100	45	0,80		
107591	R CTR 1000 350 45 100 0D 20 CGF 0,8 mm Z140	1000	350	100	45	0,80		
107592	R CTR 1000 400 45 100 0D 20 CGF 0,8 mm Z140	1000	400	100	45	0,80		
107593	R CTR 1000 500 45 100 0D 30 CGF 1 mm Z140	1000	500	100	45	1,00		
107594	R CTR 1000 600 45 100 0D 30 CGF 1 mm Z140	1000	600	100	45	1,00		
107595	R CTR 1000 700 45 100 0D 30 CGF 1 mm Z140	1000	700	100	45	1,00		
107596	R CTR 1000 800 45 100 0D 30 CGF 1 mm Z140	1000	800	100	45	1,00		
107597	R CTR 1000 900 45 100 0D 30 CGF 1 mm Z140	1000	900	100	45	1,00		
107598	R CTR 1000 1000 45 100 0D 30 CGF 1 mm Z140	1000	1000	100	45	1,00		

Note

For the other sizes, please contact the commercial department.

RECTANGULAR VENTILATION DUCTS AND FITTINGS INTEGRAL FLANGE CGF

Rectangular elbows with integral flange CGF

Rectangular elbows with variable cross-section - 90° R CTRR



Description:

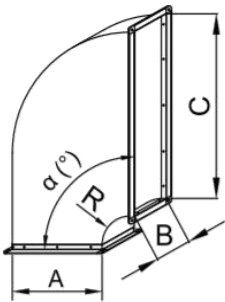
The 90° elbows are fitted with sheet angles, and the entire product is braced by cross-wise ribbing.

Used Material:

Galvanized steel DX51, Class Z140.

Note:

The thickness of the galvanized sheet varies depending on the fittings size.



Product Code Model

Explanation:

R CTRR 150 100 200 90 100 0D 20 CGF 0,5 mm Z140

R CTRR Type

90 Angle α

150 A [mm]

100 Radius R = 100 [mm]

100 B [mm]

0D 0 Air director

200 C [mm]

20 CGF Flange Class

0,5 mm Thickness δ [mm]

SKU	TYPE	A [mm]	B [mm]	C [mm]	R [mm]	Thickness δ [mm]		
107599	R CTRR 150 100 200 90 100 0D 20 CGF 0,5 mm Z140	150	100	200	100	0,50		
107600	R CTRR 150 100 250 90 100 0D 20 CGF 0,5 mm Z140	150	100	250	100	0,50		
107601	R CTRR 150 100 300 90 100 0D 20 CGF 0,5 mm Z140	150	100	300	100	0,50		
107602	R CTRR 150 100 400 90 100 1D 20 CGF 0,5 mm Z140	150	100	400	100	0,50		
107603	R CTRR 150 150 200 90 100 0D 20 CGF 0,5 mm Z140	150	150	200	100	0,50		
107604	R CTRR 150 150 250 90 100 0D 20 CGF 0,5 mm Z140	150	150	250	100	0,50		
107605	R CTRR 150 150 300 90 100 0D 20 CGF 0,5 mm Z140	150	150	300	100	0,50		
107606	R CTRR 150 150 400 90 100 1D 20 CGF 0,5 mm Z140	150	150	400	100	0,50		
107607	R CTRR 200 100 250 90 100 0D 20 CGF 0,5 mm Z140	200	100	250	100	0,50		
107608	R CTRR 200 100 300 90 100 0D 20 CGF 0,5 mm Z140	200	100	300	100	0,50		
107609	R CTRR 200 100 400 90 100 1D 20 CGF 0,5 mm Z140	200	100	400	100	0,50		
107610	R CTRR 200 100 500 90 100 1D 20 CGF 0,5 mm Z140	200	100	500	100	0,50		
107611	R CTRR 200 150 250 90 100 0D 20 CGF 0,5 mm Z140	200	150	250	100	0,50		
107612	R CTRR 200 150 300 90 100 0D 20 CGF 0,5 mm Z140	200	150	300	100	0,50		
107613	R CTRR 200 150 400 90 100 1D 20 CGF 0,5 mm Z140	200	150	400	100	0,50		
107614	R CTRR 200 150 500 90 100 1D 20 CGF 0,5 mm Z140	200	150	500	100	0,50		
107615	R CTRR 200 200 250 90 100 0D 20 CGF 0,5 mm Z140	200	200	250	100	0,50		
107616	R CTRR 200 200 300 90 100 0D 20 CGF 0,5 mm Z140	200	200	300	100	0,50		
107617	R CTRR 200 200 400 90 100 1D 20 CGF 0,5 mm Z140	200	200	400	100	0,50		
107618	R CTRR 200 200 500 90 100 1D 20 CGF 0,5 mm Z140	200	200	500	100	0,50		
107619	R CTRR 250 100 300 90 100 0D 20 CGF 0,5 mm Z140	250	100	300	100	0,50		
107620	R CTRR 250 100 400 90 100 1D 20 CGF 0,5 mm Z140	250	100	400	100	0,50		
107621	R CTRR 250 100 500 90 100 1D 20 CGF 0,5 mm Z140	250	100	500	100	0,50		
107622	R CTRR 250 100 600 90 100 1D 20 CGF 0,5 mm Z140	250	100	600	100	0,50		
107623	R CTRR 250 150 300 90 100 0D 20 CGF 0,5 mm Z140	250	150	300	100	0,50		
107624	R CTRR 250 150 400 90 100 1D 20 CGF 0,5 mm Z140	250	150	400	100	0,50		

Note

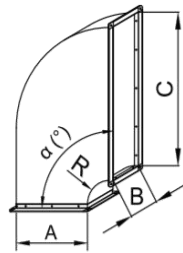
For the other sizes, please contact the commercial department.



RECTANGULAR VENTILATION DUCTS AND FITTINGS INTEGRAL FLANGE CGF

Rectangular elbows with integral flange CGF

Rectangular elbows with variable cross-section - 90° R CTRR



Product Code Model

Explanation:

R CTRR 250 150 500 90 100 1D 20 CGF 0,5 mm Z140

R CTRR Type

90 Angle α

250 A [mm]

100 Radius R = 100 [mm]

150 B [mm]

1D 1 Air director

500 C [mm]

20 CGF Flange Class

0,5 mm Thickness δ [mm]

SKU	TYPE	A [mm]	B [mm]	C [mm]	R [mm]	Thickness δ [mm]		
107625	R CTRR 250 150 500 90 100 1D 20 CGF 0,5 mm Z140	250	150	500	100	0,50		
107626	R CTRR 250 150 600 90 100 0D 20 CGF 0,5 mm Z140	250	150	600	100	0,50		
107627	R CTRR 250 200 300 90 100 0D 20 CGF 0,5 mm Z140	250	200	300	100	0,50		
107628	R CTRR 250 200 400 90 100 1D 20 CGF 0,5 mm Z140	250	200	400	100	0,50		
107629	R CTRR 250 200 500 90 100 1D 20 CGF 0,5 mm Z140	250	200	500	100	0,50		
107630	R CTRR 250 200 600 90 100 1D 20 CGF 0,5 mm Z140	250	200	600	100	0,50		
107631	R CTRR 250 250 300 90 100 0D 20 CGF 0,5 mm Z140	250	250	300	100	0,50		
107632	R CTRR 250 250 400 90 100 1D 20 CGF 0,5 mm Z140	250	250	400	100	0,50		
107633	R CTRR 250 250 500 90 100 1D 20 CGF 0,5 mm Z140	250	250	500	100	0,50		
107634	R CTRR 250 250 600 90 100 1D 20 CGF 0,5 mm Z140	250	250	600	100	0,50		
107635	R CTRR 300 150 400 90 100 1D 20 CGF 0,6 mm Z140	300	150	400	100	0,60		
107636	R CTRR 300 150 500 90 100 1D 20 CGF 0,6 mm Z140	300	150	500	100	0,60		
107637	R CTRR 300 150 600 90 100 1D 20 CGF 0,6 mm Z140	300	150	600	100	0,60		
107638	R CTRR 300 150 700 90 100 1D 20 CGF 0,6 mm Z140	300	150	700	100	0,60		
107639	R CTRR 300 150 800 90 100 1D 20 CGF 0,6 mm Z140	300	150	800	100	0,60		
107640	R CTRR 300 200 400 90 100 1D 20 CGF 0,6 mm Z140	300	200	400	100	0,60		
107641	R CTRR 300 200 500 90 100 1D 20 CGF 0,6 mm Z140	300	200	500	100	0,60		
107642	R CTRR 300 200 600 90 100 1D 20 CGF 0,6 mm Z140	300	200	600	100	0,60		
107643	R CTRR 300 200 700 90 100 1D 20 CGF 0,6 mm Z140	300	200	700	100	0,60		
107644	R CTRR 300 200 800 90 100 1D 20 CGF 0,6 mm Z140	300	200	800	100	0,60		
107645	R CTRR 300 300 400 90 100 1D 20 CGF 0,6 mm Z140	300	300	400	100	0,60		
107646	R CTRR 300 300 500 90 100 1D 20 CGF 0,6 mm Z140	300	300	500	100	0,60		
107647	R CTRR 300 300 600 90 100 1D 20 CGF 0,6 mm Z140	300	300	600	100	0,60		
107648	R CTRR 300 300 700 90 100 1D 20 CGF 0,6 mm Z140	300	300	700	100	0,60		
107649	R CTRR 300 300 800 90 100 1D 20 CGF 0,6 mm Z140	300	300	800	100	0,60		
107650	R CTRR 400 200 500 90 100 1D 20 CGF 0,6 mm Z140	400	200	500	100	0,60		
107651	R CTRR 400 200 600 90 100 1D 20 CGF 0,6 mm Z140	400	200	600	100	0,60		
107652	R CTRR 400 200 700 90 100 1D 20 CGF 0,6 mm Z140	400	200	700	100	0,60		
107653	R CTRR 400 200 800 90 100 1D 20 CGF 0,6 mm Z140	400	200	800	100	0,60		
107654	R CTRR 400 200 900 90 100 2D 20 CGF 0,6 mm Z140	400	200	900	100	0,60		
107655	R CTRR 400 200 1000 90 100 2D 20 CGF 0,6 mm Z140	400	200	1000	100	0,60		
107656	R CTRR 400 250 500 90 100 1D 20 CGF 0,6 mm Z140	400	250	500	100	0,60		
107657	R CTRR 400 250 600 90 100 1D 20 CGF 0,6 mm Z140	400	250	600	100	0,60		
107658	R CTRR 400 250 700 90 100 1D 20 CGF 0,6 mm Z140	400	250	700	100	0,60		
107659	R CTRR 400 250 800 90 100 1D 20 CGF 0,6 mm Z140	400	250	800	100	0,60		

Note

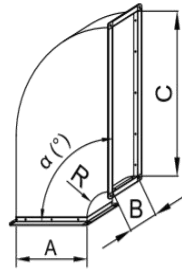
For the other sizes, please contact the commercial department.



RECTANGULAR VENTILATION DUCTS AND FITTINGS INTEGRAL FLANGE CGF

Rectangular elbows with integral flange CGF

Rectangular elbows with variable cross-section - 90° R CTRR



Product Code Model

Explanation:

R CTRR 400 250 900 90 100 2D 20 CGF 0,6 mm Z140

R CTRR Type

90 Angle α

400 A [mm]

100 Radius R = 100 [mm]

250 B [mm]

2D 2 Air director

900 C [mm]

20 CGF Flange Class

0,6 mm Thickness δ [mm]

SKU	TYPE	A [mm]	B [mm]	C [mm]	R [mm]	Thickness δ [mm]		
107660	R CTRR 400 250 900 90 100 2D 20 CGF 0,6 mm Z140	400	250	900	100	0,60		
107661	R CTRR 400 250 1000 90 100 2D 20 CGF 0,6 mm Z140	400	250	1000	100	0,60		
107662	R CTRR 400 300 500 90 100 1D 20 CGF 0,6 mm Z140	400	300	500	100	0,60		
107663	R CTRR 400 300 600 90 100 1D 20 CGF 0,6 mm Z140	400	300	600	100	0,60		
107664	R CTRR 400 300 700 90 100 1D 20 CGF 0,6 mm Z140	400	300	700	100	0,60		
107665	R CTRR 400 300 800 90 100 1D 20 CGF 0,6 mm Z140	400	300	800	100	0,60		
107666	R CTRR 400 300 900 90 100 2D 20 CGF 0,6 mm Z140	400	300	900	100	0,60		
107667	R CTRR 400 300 1000 90 100 2D 20 CGF 0,6 mm Z140	400	300	1000	100	0,60		
107668	R CTRR 400 400 500 90 100 1D 20 CGF 0,6 mm Z140	400	400	500	100	0,60		
107669	R CTRR 400 400 600 90 100 1D 20 CGF 0,6 mm Z140	400	400	600	100	0,60		
107670	R CTRR 400 400 700 90 100 1D 20 CGF 0,6 mm Z140	400	400	700	100	0,60		
107671	R CTRR 400 400 800 90 100 1D 20 CGF 0,6 mm Z140	400	400	800	100	0,60		
107672	R CTRR 400 400 900 90 100 2D 20 CGF 0,6 mm Z140	400	400	900	100	0,60		
107673	R CTRR 400 400 1000 90 100 2D 20 CGF 0,6 mm Z140	400	400	1000	100	0,60		
107674	R CTRR 500 200 600 90 100 1D 20 CGF 0,6 mm Z140	500	200	600	100	0,60		
107675	R CTRR 500 200 700 90 100 1D 20 CGF 0,6 mm Z140	500	200	700	100	0,60		
107676	R CTRR 500 200 800 90 100 1D 20 CGF 0,6 mm Z140	500	200	800	100	0,60		
107677	R CTRR 500 200 900 90 100 2D 20 CGF 0,6 mm Z140	500	200	900	100	0,60		
107678	R CTRR 500 200 1000 90 100 2D 20 CGF 0,6 mm Z140	500	200	1000	100	0,60		
107679	R CTRR 500 250 600 90 100 1D 20 CGF 0,6 mm Z140	500	250	600	100	0,60		
107680	R CTRR 500 250 700 90 100 1D 20 CGF 0,6 mm Z140	500	250	700	100	0,60		
107681	R CTRR 500 250 800 90 100 1D 20 CGF 0,6 mm Z140	500	250	800	100	0,60		
107682	R CTRR 500 250 900 90 100 2D 20 CGF 0,6 mm Z140	500	250	900	100	0,60		
107683	R CTRR 500 250 1000 90 100 2D 20 CGF 0,6 mm Z140	500	250	1000	100	0,60		
107684	R CTRR 500 300 600 90 100 1D 20 CGF 0,6 mm Z140	500	300	600	100	0,60		
107685	R CTRR 500 300 700 90 100 1D 20 CGF 0,6 mm Z140	500	300	700	100	0,60		
107686	R CTRR 500 300 800 90 100 1D 20 CGF 0,6 mm Z140	500	300	800	100	0,60		
107687	R CTRR 500 300 900 90 100 2D 20 CGF 0,6 mm Z140	500	300	900	100	0,60		
107688	R CTRR 500 300 1000 90 100 2D 20 CGF 0,6 mm Z140	500	300	1000	100	0,60		
107689	R CTRR 500 400 600 90 100 1D 20 CGF 0,6 mm Z140	500	400	600	100	0,60		
107690	R CTRR 500 400 700 90 100 1D 20 CGF 0,6 mm Z140	500	400	700	100	0,60		
107691	R CTRR 500 400 800 90 100 1D 20 CGF 0,6 mm Z140	500	400	800	100	0,60		
107692	R CTRR 500 400 900 90 100 2D 20 CGF 0,6 mm Z140	500	400	900	100	0,60		
107693	R CTRR 500 400 1000 90 100 2D 20 CGF 0,6 mm Z140	500	400	1000	100	0,60		
107694	R CTRR 500 500 600 90 100 1D 20 CGF 0,6 mm Z140	500	500	600	100	0,60		

Note

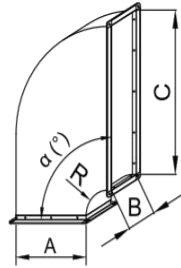
For the other sizes, please contact the commercial department.



RECTANGULAR VENTILATION DUCTS AND FITTINGS INTEGRAL FLANGE CGF

Rectangular elbows with integral flange CGF

Rectangular elbows with variable cross-section - 90° R CTRR



Product Code Model

Explanation:

R CTRR 500 500 700 90 100 1D 20 CGF 0,6 mm Z140

R CTRR Type

90 Angle α

500 A [mm]

100 Radius R = 100 [mm]

500 B [mm]

1D 1 Air director

700 C [mm]

20 CGF Flange Class

0,6 mm Thickness δ [mm]

SKU	TYPE	A [mm]	B [mm]	C [mm]	R [mm]	Thickness δ [mm]		
107695	R CTRR 500 500 700 90 100 1D 20 CGF 0,6 mm Z140	500	500	700	100	0,60		
107696	R CTRR 500 500 800 90 100 1D 20 CGF 0,6 mm Z140	500	500	800	100	0,60		
107697	R CTRR 500 500 900 90 100 2D 20 CGF 0,6 mm Z140	500	500	900	100	0,60		
107698	R CTRR 500 500 1000 90 100 2D 20 CGF 0,6 mm Z140	500	500	1000	100	0,60		
107699	R CTRR 600 200 700 90 100 1D 20 CGF 0,6 mm Z140	600	200	700	100	0,60		
107700	R CTRR 600 200 800 90 100 1D 20 CGF 0,6 mm Z140	600	200	800	100	0,60		
107701	R CTRR 600 200 900 90 100 2D 20 CGF 0,6 mm Z140	600	200	900	100	0,60		
107702	R CTRR 600 200 1000 90 100 2D 20 CGF 0,6 mm Z140	600	200	1000	100	0,60		
107703	R CTRR 600 250 700 90 100 1D 20 CGF 0,6 mm Z140	600	250	700	100	0,60		
107704	R CTRR 600 250 800 90 100 1D 20 CGF 0,6 mm Z140	600	250	800	100	0,60		
107705	R CTRR 600 250 900 90 100 2D 20 CGF 0,6 mm Z140	600	250	900	100	0,60		
107706	R CTRR 600 250 1000 90 100 2D 20 CGF 0,6 mm Z140	600	250	1000	100	0,60		
107707	R CTRR 600 300 700 90 100 1D 20 CGF 0,6 mm Z140	600	300	700	100	0,60		
107708	R CTRR 600 300 800 90 100 1D 20 CGF 0,6 mm Z140	600	300	800	100	0,60		
107709	R CTRR 600 300 900 90 100 2D 20 CGF 0,6 mm Z140	600	300	900	100	0,60		
107710	R CTRR 600 300 1000 90 100 2D 20 CGF 0,6 mm Z140	600	300	1000	100	0,60		
107711	R CTRR 600 400 700 90 100 1D 20 CGF 0,6 mm Z140	600	400	700	100	0,60		
107712	R CTRR 600 400 800 90 100 1D 20 CGF 0,6 mm Z140	600	400	800	100	0,60		
107713	R CTRR 600 400 900 90 100 2D 20 CGF 0,6 mm Z140	600	400	900	100	0,60		
107714	R CTRR 600 400 1000 90 100 2D 20 CGF 0,6 mm Z140	600	400	1000	100	0,60		
107715	R CTRR 600 500 700 90 100 1D 20 CGF 0,6 mm Z140	600	500	700	100	0,60		
107716	R CTRR 600 500 800 90 100 1D 20 CGF 0,6 mm Z140	600	500	800	100	0,60		
107717	R CTRR 600 500 900 90 100 2D 20 CGF 0,6 mm Z140	600	500	900	100	0,60		
107718	R CTRR 600 500 1000 90 100 2D 20 CGF 0,6 mm Z140	600	500	1000	100	0,60		
107719	R CTRR 600 600 700 90 100 1D 20 CGF 0,7 mm Z140	600	600	700	100	0,70		
107720	R CTRR 600 600 800 90 100 1D 20 CGF 0,7 mm Z140	600	600	800	100	0,70		
107721	R CTRR 600 600 900 90 100 2D 20 CGF 0,7 mm Z140	600	600	900	100	0,70		
107722	R CTRR 600 600 1000 90 100 2D 20 CGF 0,7 mm Z140	600	600	1000	100	0,70		
107723	R CTRR 700 300 800 90 100 1D 20 CGF 0,7 mm Z140	700	300	800	100	0,70		
107724	R CTRR 700 300 900 90 100 2D 20 CGF 0,7 mm Z140	700	300	900	100	0,70		
107725	R CTRR 700 300 1000 90 100 2D 20 CGF 0,7 mm Z140	700	300	1000	100	0,70		
107726	R CTRR 700 350 800 90 100 1D 20 CGF 0,7 mm Z140	700	350	800	100	0,70		
107727	R CTRR 700 350 900 90 100 2D 20 CGF 0,7 mm Z140	700	350	900	100	0,70		
107728	R CTRR 700 350 1000 90 100 2D 20 CGF 0,7 mm Z140	700	350	1000	100	0,70		
107729	R CTRR 700 400 800 90 100 1D 20 CGF 0,7 mm Z140	700	400	800	100	0,70		

Note

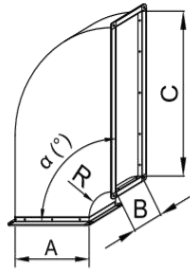
For the other sizes, please contact the commercial department.



RECTANGULAR VENTILATION DUCTS AND FITTINGS INTEGRAL FLANGE CGF

Rectangular elbows with integral flange CGF

Rectangular elbows with variable cross-section - 90° R CTRR



Product Code Model

Explanation:

R CTRR 700 400 900 90 100 2D 20 CGF 0,7 mm Z140

R CTRR Type

90 Angle α

700 A [mm]

100 Radius R = 100 [mm]

400 B [mm]

2D 2 Air director

900 C [mm]

20 CGF Flange Class

0,7 mm Thickness δ [mm]

SKU	TYPE	A [mm]	B [mm]	C [mm]	R [mm]	Thickness δ [mm]		
107730	R CTRR 700 400 900 90 100 2D 20 CGF 0,7 mm Z140	700	400	900	100	0,70		
107731	R CTRR 700 400 1000 90 100 2D 20 CGF 0,7 mm Z140	700	400	1000	100	0,70		
107732	R CTRR 700 500 800 90 100 1D 20 CGF 0,7 mm Z140	700	500	800	100	0,70		
107733	R CTRR 700 500 900 90 100 2D 20 CGF 0,7 mm Z140	700	500	900	100	0,70		
107734	R CTRR 700 500 1000 90 100 2D 20 CGF 0,7 mm Z140	700	500	1000	100	0,70		
107735	R CTRR 700 600 800 90 100 1D 20 CGF 0,7 mm Z140	700	600	800	100	0,70		
107736	R CTRR 700 600 900 90 100 2D 20 CGF 0,7 mm Z140	700	600	900	100	0,70		
107737	R CTRR 700 600 1000 90 100 2D 20 CGF 0,7 mm Z140	700	600	1000	100	0,70		
107738	R CTRR 700 700 800 90 100 1D 20 CGF 0,7 mm Z140	700	700	800	100	0,70		
107739	R CTRR 700 700 900 90 100 2D 20 CGF 0,7 mm Z140	700	700	900	100	0,70		
107740	R CTRR 700 700 1000 90 100 2D 20 CGF 0,7 mm Z140	700	700	1000	100	0,70		
107741	R CTRR 800 300 900 90 100 2D 20 CGF 0,7 mm Z140	800	300	900	100	0,70		
107742	R CTRR 800 300 1000 90 100 2D 20 CGF 0,7 mm Z140	800	300	1000	100	0,70		
107743	R CTRR 800 350 900 90 100 2D 20 CGF 0,7 mm Z140	800	350	900	100	0,70		
107744	R CTRR 800 350 1000 90 100 2D 20 CGF 0,7 mm Z140	800	350	1000	100	0,70		
107745	R CTRR 800 400 900 90 100 2D 20 CGF 0,7 mm Z140	800	400	900	100	0,70		
107746	R CTRR 800 400 1000 90 100 2D 20 CGF 0,7 mm Z140	800	400	1000	100	0,70		
107747	R CTRR 800 500 900 90 100 2D 20 CGF 0,8 mm Z140	800	500	900	100	0,80		
107748	R CTRR 800 500 1000 90 100 2D 20 CGF 0,8 mm Z140	800	500	1000	100	0,80		
107749	R CTRR 800 600 900 90 100 2D 20 CGF 0,8 mm Z140	800	600	900	100	0,80		
107750	R CTRR 800 600 1000 90 100 2D 20 CGF 0,8 mm Z140	800	600	1000	100	0,80		
107751	R CTRR 800 700 900 90 100 2D 20 CGF 0,8 mm Z140	800	700	900	100	0,80		
107752	R CTRR 800 700 1000 90 100 2D 20 CGF 0,8 mm Z140	800	700	1000	100	0,80		
107753	R CTRR 800 800 900 90 100 2D 20 CGF 0,8 mm Z140	800	800	900	100	0,80		
107754	R CTRR 800 800 1000 90 100 2D 20 CGF 0,8 mm Z140	800	800	1000	100	0,80		
107755	R CTRR 900 300 1000 90 100 2D 20 CGF 0,8 mm Z140	900	300	1000	100	0,80		
107756	R CTRR 900 350 1000 90 100 2D 20 CGF 0,8 mm Z140	900	350	1000	100	0,80		
107757	R CTRR 900 400 1000 90 100 2D 20 CGF 0,8 mm Z140	900	400	1000	100	0,80		
107758	R CTRR 900 500 1000 90 100 2D 20 CGF 0,8 mm Z140	900	500	1000	100	0,80		
107759	R CTRR 900 600 1000 90 100 2D 20 CGF 0,8 mm Z140	900	600	1000	100	0,80		
107760	R CTRR 900 700 1000 90 100 2D 20 CGF 0,8 mm Z140	900	700	1000	100	0,80		
107761	R CTRR 900 800 1000 90 100 2D 20 CGF 0,8 mm Z140	900	800	1000	100	0,80		
107762	R CTRR 900 900 1000 90 100 2D 20 CGF 0,8 mm Z140	900	900	1000	100	0,80		

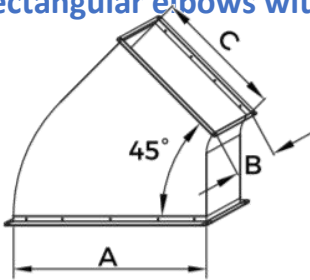
Note

For the other sizes, please contact the commercial department.

RECTANGULAR VENTILATION DUCTS AND FITTINGS INTEGRAL FLANGE CGF

**Rectangular elbows
with integral flange CGF**

Rectangular elbows with variable cross-section - 45° R CTRR



Product Code Model

Explanation:

R CTRR 150 100 200 45 100 OD 20 CGF 0,5 mm Z140

R CTRR Type

45 Angle α

150 A [mm]

100 Radius R = 100 [mm]

100 B [mm]

OD 0 Air director

200 C [mm]

20 CGF Flange Class

0,5 mm Thickness δ [mm]

SKU	TYPE	A [mm]	B [mm]	C [mm]	R [mm]	Thickness δ [mm]		
107763	R CTRR 150 100 200 45 100 OD 20 CGF 0,5 mm Z140	150	100	200	100	0,50		
107764	R CTRR 150 100 250 45 100 OD 20 CGF 0,5 mm Z140	150	100	250	100	0,50		
107765	R CTRR 150 100 300 45 100 OD 20 CGF 0,5 mm Z140	150	100	300	100	0,50		
107766	R CTRR 150 100 400 45 100 OD 20 CGF 0,5 mm Z140	150	100	400	100	0,50		
107767	R CTRR 150 150 200 45 100 OD 20 CGF 0,5 mm Z140	150	150	200	100	0,50		
107768	R CTRR 150 150 250 45 100 OD 20 CGF 0,5 mm Z140	150	150	250	100	0,50		
107769	R CTRR 150 150 300 45 100 OD 20 CGF 0,5 mm Z140	150	150	300	100	0,50		
107770	R CTRR 150 150 400 45 100 OD 20 CGF 0,5 mm Z140	150	150	400	100	0,50		
107771	R CTRR 200 100 250 45 100 OD 20 CGF 0,5 mm Z140	200	100	250	100	0,50		
107772	R CTRR 200 100 300 45 100 OD 20 CGF 0,5 mm Z140	200	100	300	100	0,50		
107773	R CTRR 200 100 400 45 100 OD 20 CGF 0,5 mm Z140	200	100	400	100	0,50		
107774	R CTRR 200 100 500 45 100 OD 20 CGF 0,5 mm Z140	200	100	500	100	0,50		
107775	R CTRR 200 150 250 45 100 OD 20 CGF 0,5 mm Z140	200	150	250	100	0,50		
107776	R CTRR 200 150 300 45 100 OD 20 CGF 0,5 mm Z140	200	150	300	100	0,50		
107777	R CTRR 200 150 400 45 100 OD 20 CGF 0,5 mm Z140	200	150	400	100	0,50		
107778	R CTRR 200 150 500 45 100 OD 20 CGF 0,5 mm Z140	200	150	500	100	0,50		
107779	R CTRR 200 200 250 45 100 OD 20 CGF 0,5 mm Z140	200	200	250	100	0,50		
107780	R CTRR 200 200 300 45 100 OD 20 CGF 0,5 mm Z140	200	200	300	100	0,50		
107781	R CTRR 200 200 400 45 100 OD 20 CGF 0,5 mm Z140	200	200	400	100	0,50		
107782	R CTRR 200 200 500 45 100 OD 20 CGF 0,5 mm Z140	200	200	500	100	0,50		
107783	R CTRR 250 100 300 45 100 OD 20 CGF 0,5 mm Z140	250	100	300	100	0,50		
107784	R CTRR 250 100 400 45 100 OD 20 CGF 0,5 mm Z140	250	100	400	100	0,50		
107785	R CTRR 250 100 500 45 100 OD 20 CGF 0,5 mm Z140	250	100	500	100	0,50		
107786	R CTRR 250 100 600 45 100 OD 20 CGF 0,5 mm Z140	250	100	600	100	0,50		
107787	R CTRR 250 150 300 45 100 OD 20 CGF 0,5 mm Z140	250	150	300	100	0,50		
107788	R CTRR 250 150 400 45 100 OD 20 CGF 0,5 mm Z140	250	150	400	100	0,50		
107789	R CTRR 250 150 500 45 100 OD 20 CGF 0,5 mm Z140	250	150	500	100	0,50		
107790	R CTRR 250 150 600 45 100 OD 20 CGF 0,5 mm Z140	250	150	600	100	0,50		
107791	R CTRR 250 200 300 45 100 OD 20 CGF 0,5 mm Z140	250	200	300	100	0,50		
107792	R CTRR 250 200 400 45 100 OD 20 CGF 0,5 mm Z140	250	200	400	100	0,50		
107793	R CTRR 250 200 500 45 100 OD 20 CGF 0,5 mm Z140	250	200	500	100	0,50		
107794	R CTRR 250 200 600 45 100 OD 20 CGF 0,5 mm Z140	250	200	600	100	0,50		
107795	R CTRR 250 250 300 45 100 OD 20 CGF 0,5 mm Z140	250	250	300	100	0,50		
107796	R CTRR 250 250 400 45 100 OD 20 CGF 0,5 mm Z140	250	250	400	100	0,50		
107797	R CTRR 250 250 500 45 100 OD 20 CGF 0,5 mm Z140	250	250	500	100	0,50		

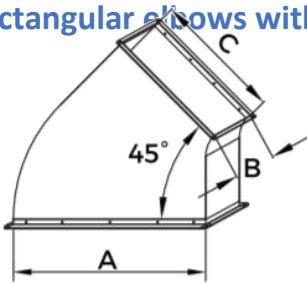
Note

For the other sizes, please contact the commercial department.

RECTANGULAR VENTILATION DUCTS AND FITTINGS INTEGRAL FLANGE CGF

**Rectangular elbows
with integral flange CGF**

Rectangular elbows with variable cross-section - 45° R CTRR



Product Code Model

Explanation:

R CTRR 250 250 600 45 100 OD 20 CGF 0,5 mm Z140

R CTRR Type

45 Angle α

250 A [mm]

100 Radius R = 100 [mm]

250 B [mm]

OD 0 Air director

600 C [mm]

20 CGF Flange Class

0,5 mm Thickness δ [mm]

SKU	TYPE	A [mm]	B [mm]	C [mm]	R [mm]	Thickness δ [mm]		
107798	R CTRR 250 250 600 45 100 OD 20 CGF 0,5 mm Z140	250	250	600	100	0,50		
107799	R CTRR 300 150 400 45 100 OD 20 CGF 0,6 mm Z140	300	150	400	100	0,60		
107800	R CTRR 300 150 500 45 100 OD 20 CGF 0,6 mm Z140	300	150	500	100	0,60		
107801	R CTRR 300 150 600 45 100 OD 20 CGF 0,6 mm Z140	300	150	600	100	0,60		
107802	R CTRR 300 150 700 45 100 OD 20 CGF 0,6 mm Z140	300	150	700	100	0,60		
107803	R CTRR 300 150 800 45 100 OD 20 CGF 0,6 mm Z140	300	150	800	100	0,60		
107804	R CTRR 300 200 400 45 100 OD 20 CGF 0,6 mm Z140	300	200	400	100	0,60		
107805	R CTRR 300 200 500 45 100 OD 20 CGF 0,6 mm Z140	300	200	500	100	0,60		
107806	R CTRR 300 200 600 45 100 OD 20 CGF 0,6 mm Z140	300	200	600	100	0,60		
107807	R CTRR 300 200 700 45 100 OD 20 CGF 0,6 mm Z140	300	200	700	100	0,60		
107808	R CTRR 300 200 800 45 100 OD 20 CGF 0,6 mm Z140	300	200	800	100	0,60		
107809	R CTRR 300 300 400 45 100 OD 20 CGF 0,6 mm Z140	300	300	400	100	0,60		
107810	R CTRR 300 300 500 45 100 OD 20 CGF 0,6 mm Z140	300	300	500	100	0,60		
107811	R CTRR 300 300 600 45 100 OD 20 CGF 0,6 mm Z140	300	300	600	100	0,60		
107812	R CTRR 300 300 700 45 100 OD 20 CGF 0,6 mm Z140	300	300	700	100	0,60		
107813	R CTRR 300 300 800 45 100 OD 20 CGF 0,6 mm Z140	300	300	800	100	0,60		
107814	R CTRR 400 200 500 45 100 OD 20 CGF 0,6 mm Z140	400	200	500	100	0,60		
107815	R CTRR 400 200 600 45 100 OD 20 CGF 0,6 mm Z140	400	200	600	100	0,60		
107816	R CTRR 400 200 700 45 100 OD 20 CGF 0,6 mm Z140	400	200	700	100	0,60		
107817	R CTRR 400 200 800 45 100 OD 20 CGF 0,6 mm Z140	400	200	800	100	0,60		
107818	R CTRR 400 200 900 45 100 OD 20 CGF 0,6 mm Z140	400	200	900	100	0,60		
107819	R CTRR 400 200 1000 45 100 OD 20 CGF 0,6 mm Z140	400	200	1000	100	0,60		
107820	R CTRR 400 250 500 45 100 OD 20 CGF 0,6 mm Z140	400	250	500	100	0,60		
107821	R CTRR 400 250 600 45 100 OD 20 CGF 0,6 mm Z140	400	250	600	100	0,60		
107822	R CTRR 400 250 700 45 100 OD 20 CGF 0,6 mm Z140	400	250	700	100	0,60		
107823	R CTRR 400 250 800 45 100 OD 20 CGF 0,6 mm Z140	400	250	800	100	0,60		
107824	R CTRR 400 250 900 45 100 OD 20 CGF 0,6 mm Z140	400	250	900	100	0,60		
107825	R CTRR 400 250 1000 45 100 OD 20 CGF 0,6 mm Z140	400	250	1000	100	0,60		
107826	R CTRR 400 300 500 45 100 OD 20 CGF 0,6 mm Z140	400	300	500	100	0,60		
107827	R CTRR 400 300 600 45 100 OD 20 CGF 0,6 mm Z140	400	300	600	100	0,60		
107828	R CTRR 400 300 700 45 100 OD 20 CGF 0,6 mm Z140	400	300	700	100	0,60		
107829	R CTRR 400 300 800 45 100 OD 20 CGF 0,6 mm Z140	400	300	800	100	0,60		
107830	R CTRR 400 300 900 45 100 OD 20 CGF 0,6 mm Z140	400	300	900	100	0,60		
107831	R CTRR 400 300 1000 45 100 OD 20 CGF 0,6 mm Z140	400	300	1000	100	0,60		
107832	R CTRR 400 400 500 45 100 OD 20 CGF 0,6 mm Z140	400	400	500	100	0,60		

Note

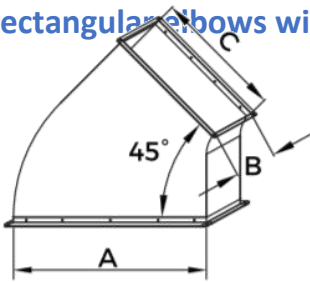
For the other sizes, please contact the commercial department.



RECTANGULAR VENTILATION DUCTS AND FITTINGS INTEGRAL FLANGE CGF

**Rectangular elbows
with integral flange CGF**

Rectangular elbows with variable cross-section - 45° R CTRR



Product Code Model

Explanation:

R CTRR 400 400 600 45 100 OD 20 CGF 0,6 mm Z140

R CTRR Type

45 Angle α

400 A [mm]

100 Radius R = 100 [mm]

400 B [mm]

OD 0 Air director

600 C [mm]

20 CGF Flange Class

0,6 mm Thickness δ [mm]

SKU	TYPE	A [mm]	B [mm]	C [mm]	R [mm]	Thickness δ [mm]		
107833	R CTRR 400 400 600 45 100 OD 20 CGF 0,6 mm Z140	400	400	600	100	0,60		
107834	R CTRR 400 400 700 45 100 OD 20 CGF 0,6 mm Z140	400	400	700	100	0,60		
107835	R CTRR 400 400 800 45 100 OD 20 CGF 0,6 mm Z140	400	400	800	100	0,60		
107836	R CTRR 400 400 900 45 100 OD 20 CGF 0,6 mm Z140	400	400	900	100	0,60		
107837	R CTRR 400 400 1000 45 100 OD 20 CGF 0,6 mm Z140	400	400	1000	100	0,60		
107838	R CTRR 500 200 600 45 100 OD 20 CGF 0,6 mm Z140	500	200	600	100	0,60		
107839	R CTRR 500 200 700 45 100 OD 20 CGF 0,6 mm Z140	500	200	700	100	0,60		
107840	R CTRR 500 200 800 45 100 OD 20 CGF 0,6 mm Z140	500	200	800	100	0,60		
107841	R CTRR 500 200 900 45 100 OD 20 CGF 0,6 mm Z140	500	200	900	100	0,60		
107842	R CTRR 500 200 1000 45 100 OD 20 CGF 0,6 mm Z140	500	200	1000	100	0,60		
107843	R CTRR 500 250 600 45 100 OD 20 CGF 0,6 mm Z140	500	250	600	100	0,60		
107844	R CTRR 500 250 700 45 100 OD 20 CGF 0,6 mm Z140	500	250	700	100	0,60		
107845	R CTRR 500 250 800 45 100 OD 20 CGF 0,6 mm Z140	500	250	800	100	0,60		
107846	R CTRR 500 250 900 45 100 OD 20 CGF 0,6 mm Z140	500	250	900	100	0,60		
107847	R CTRR 500 250 1000 45 100 OD 20 CGF 0,6 mm Z140	500	250	1000	100	0,60		
107848	R CTRR 500 300 600 45 100 OD 20 CGF 0,6 mm Z140	500	300	600	100	0,60		
107849	R CTRR 500 300 700 45 100 OD 20 CGF 0,6 mm Z140	500	300	700	100	0,60		
107850	R CTRR 500 300 800 45 100 OD 20 CGF 0,6 mm Z140	500	300	800	100	0,60		
107851	R CTRR 500 300 900 45 100 OD 20 CGF 0,6 mm Z140	500	300	900	100	0,60		
107852	R CTRR 500 300 1000 45 100 OD 20 CGF 0,6 mm Z140	500	300	1000	100	0,60		
107853	R CTRR 500 400 600 45 100 OD 20 CGF 0,6 mm Z140	500	400	600	100	0,60		
107854	R CTRR 500 400 700 45 100 OD 20 CGF 0,6 mm Z140	500	400	700	100	0,60		
107855	R CTRR 500 400 800 45 100 OD 20 CGF 0,6 mm Z140	500	400	800	100	0,60		
107856	R CTRR 500 400 900 45 100 OD 20 CGF 0,6 mm Z140	500	400	900	100	0,60		
107857	R CTRR 500 400 1000 45 100 OD 20 CGF 0,6 mm Z140	500	400	1000	100	0,60		
107858	R CTRR 500 500 600 45 100 OD 20 CGF 0,6 mm Z140	500	500	600	100	0,60		
107859	R CTRR 500 500 700 45 100 OD 20 CGF 0,6 mm Z140	500	500	700	100	0,60		
107860	R CTRR 500 500 800 45 100 OD 20 CGF 0,6 mm Z140	500	500	800	100	0,60		
107861	R CTRR 500 500 900 45 100 OD 20 CGF 0,6 mm Z140	500	500	900	100	0,60		
107862	R CTRR 500 500 1000 45 100 OD 20 CGF 0,6 mm Z140	500	500	1000	100	0,60		
107863	R CTRR 600 200 700 45 100 OD 20 CGF 0,6 mm Z140	600	200	700	100	0,60		
107864	R CTRR 600 200 800 45 100 OD 20 CGF 0,6 mm Z140	600	200	800	100	0,60		
107865	R CTRR 600 200 900 45 100 OD 20 CGF 0,6 mm Z140	600	200	900	100	0,60		
107866	R CTRR 600 200 1000 45 100 OD 20 CGF 0,6 mm Z140	600	200	1000	100	0,60		
107867	R CTRR 600 250 700 45 100 OD 20 CGF 0,6 mm Z140	600	250	700	100	0,60		

Note

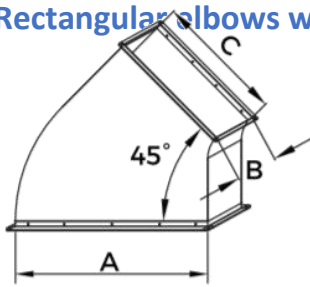
For the other sizes, please contact the commercial department.



RECTANGULAR VENTILATION DUCTS AND FITTINGS INTEGRAL FLANGE CGF

**Rectangular elbows
with integral flange CGF**

Rectangular elbows with variable cross-section - 45° R CTRR



Product Code Model

Explanation:

R CTRR 600 250 800 45 100 0D 20 CGF 0,6 mm Z140

R CTRR Type

45 Angle α

600 A [mm]

100 Radius R = 100 [mm]

250 B [mm]

0D 0 Air director

800 C [mm]

20 CGF Flange Class

0,6 mm Thickness δ [mm]

SKU	TYPE	A [mm]	B [mm]	C [mm]	R [mm]	Thickness δ [mm]		
107868	R CTRR 600 250 800 45 100 0D 20 CGF 0,6 mm Z140	600	250	800	100	0,60		
107869	R CTRR 600 250 900 45 100 0D 20 CGF 0,6 mm Z140	600	250	900	100	0,60		
107870	R CTRR 600 250 1000 45 100 0D 20 CGF 0,6 mm Z140	600	250	1000	100	0,60		
107871	R CTRR 600 300 700 45 100 0D 20 CGF 0,6 mm Z140	600	300	700	100	0,60		
107872	R CTRR 600 300 800 45 100 0D 20 CGF 0,6 mm Z140	600	300	800	100	0,60		
107873	R CTRR 600 300 900 45 100 0D 20 CGF 0,6 mm Z140	600	300	900	100	0,60		
107874	R CTRR 600 300 1000 45 100 0D 20 CGF 0,6 mm Z140	600	300	1000	100	0,60		
107875	R CTRR 600 400 700 45 100 0D 20 CGF 0,6 mm Z140	600	400	700	100	0,60		
107876	R CTRR 600 400 800 45 100 0D 20 CGF 0,6 mm Z140	600	400	800	100	0,60		
107877	R CTRR 600 400 900 45 100 0D 20 CGF 0,6 mm Z140	600	400	900	100	0,60		
107878	R CTRR 600 400 1000 45 100 0D 20 CGF 0,6 mm Z140	600	400	1000	100	0,60		
107879	R CTRR 600 500 700 45 100 0D 20 CGF 0,6 mm Z140	600	500	700	100	0,60		
107880	R CTRR 600 500 800 45 100 0D 20 CGF 0,6 mm Z140	600	500	800	100	0,60		
107881	R CTRR 600 500 900 45 100 0D 20 CGF 0,6 mm Z140	600	500	900	100	0,60		
107882	R CTRR 600 500 1000 45 100 0D 20 CGF 0,6 mm Z140	600	500	1000	100	0,60		
107883	R CTRR 600 600 700 45 100 0D 20 CGF 0,7 mm Z140	600	600	700	100	0,70		
107884	R CTRR 600 600 800 45 100 0D 20 CGF 0,7 mm Z140	600	600	800	100	0,70		
107885	R CTRR 600 600 900 45 100 0D 20 CGF 0,7 mm Z140	600	600	900	100	0,70		
107886	R CTRR 600 600 1000 45 100 0D 20 CGF 0,7 mm Z140	600	600	1000	100	0,70		
107887	R CTRR 700 300 800 45 100 0D 20 CGF 0,7 mm Z140	700	300	800	100	0,70		
107888	R CTRR 700 300 900 45 100 0D 20 CGF 0,7 mm Z140	700	300	900	100	0,70		
107889	R CTRR 700 300 1000 45 100 0D 20 CGF 0,7 mm Z140	700	300	1000	100	0,70		
107890	R CTRR 700 350 800 45 100 0D 20 CGF 0,7 mm Z140	700	350	800	100	0,70		
107891	R CTRR 700 350 900 45 100 0D 20 CGF 0,7 mm Z140	700	350	900	100	0,70		
107892	R CTRR 700 350 1000 45 100 0D 20 CGF 0,7 mm Z140	700	350	1000	100	0,70		
107893	R CTRR 700 400 800 45 100 0D 20 CGF 0,7 mm Z140	700	400	800	100	0,70		
107894	R CTRR 700 400 900 45 100 0D 20 CGF 0,7 mm Z140	700	400	900	100	0,70		
107895	R CTRR 700 400 1000 45 100 0D 20 CGF 0,7 mm Z140	700	400	1000	100	0,70		
107896	R CTRR 700 500 800 45 100 0D 20 CGF 0,7 mm Z140	700	500	800	100	0,70		
107897	R CTRR 700 500 900 45 100 0D 20 CGF 0,7 mm Z140	700	500	900	100	0,70		
107898	R CTRR 700 500 1000 45 100 0D 20 CGF 0,7 mm Z140	700	500	1000	100	0,70		
107899	R CTRR 700 600 800 45 100 0D 20 CGF 0,7 mm Z140	700	600	800	100	0,70		
107900	R CTRR 700 600 900 45 100 0D 20 CGF 0,7 mm Z140	700	600	900	100	0,70		
107901	R CTRR 700 600 1000 45 100 0D 20 CGF 0,7 mm Z140	700	600	1000	100	0,70		
107902	R CTRR 700 700 800 45 100 0D 20 CGF 0,7 mm Z140	700	700	800	100	0,70		

Note

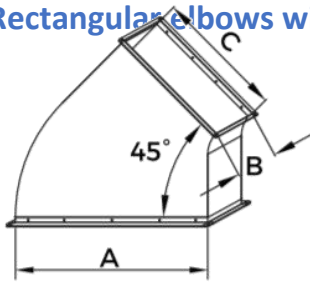
For the other sizes, please contact the commercial department.



RECTANGULAR VENTILATION DUCTS AND FITTINGS INTEGRAL FLANGE CGF

Rectangular elbows with integral flange CGF

Rectangular elbows with variable cross-section - 45° R CTRR



Product Code Model

Explanation:

R CTRR 700 700 900 45 100 0D 20 CGF 0,7 mm Z140

R CTRR Type

45 Angle α

700 A [mm]

100 Radius R = 100 [mm]

700 B [mm]

0D 0 Air director

900 C [mm]

20 CGF Flange Class

0,7 mm Thickness δ [mm]

SKU	TYPE	A [mm]	B [mm]	C [mm]	R [mm]	Thickness δ [mm]		
107903	R CTRR 700 700 900 45 100 0D 20 CGF 0,7 mm Z140	700	700	900	100	0,70		
107904	R CTRR 700 700 1000 45 100 0D 20 CGF 0,7 mm Z140	700	700	1000	100	0,70		
107905	R CTRR 800 300 900 45 100 0D 20 CGF 0,7 mm Z140	800	300	900	100	0,70		
107906	R CTRR 800 300 1000 45 100 0D 20 CGF 0,7 mm Z140	800	300	1000	100	0,70		
107907	R CTRR 800 350 900 45 100 0D 20 CGF 0,7 mm Z140	800	350	900	100	0,70		
107908	R CTRR 800 350 1000 45 100 0D 20 CGF 0,7 mm Z140	800	350	1000	100	0,70		
107909	R CTRR 800 400 900 45 100 0D 20 CGF 0,7 mm Z140	800	400	900	100	0,70		
107910	R CTRR 800 400 1000 45 100 0D 20 CGF 0,7 mm Z140	800	400	1000	100	0,70		
107911	R CTRR 800 500 900 45 100 0D 20 CGF 0,8 mm Z140	800	500	900	100	0,80		
107912	R CTRR 800 500 1000 45 100 0D 20 CGF 0,8 mm Z140	800	500	1000	100	0,80		
107913	R CTRR 800 600 900 45 100 0D 20 CGF 0,8 mm Z140	800	600	900	100	0,80		
107914	R CTRR 800 600 1000 45 100 0D 20 CGF 0,8 mm Z140	800	600	1000	100	0,80		
107915	R CTRR 800 700 900 45 100 0D 20 CGF 0,8 mm Z140	800	700	900	100	0,80		
107916	R CTRR 800 700 1000 45 100 0D 20 CGF 0,8 mm Z140	800	700	1000	100	0,80		
107917	R CTRR 800 800 900 45 100 0D 20 CGF 0,8 mm Z140	800	800	900	100	0,80		
107918	R CTRR 800 800 1000 45 100 0D 20 CGF 0,8 mm Z140	800	800	1000	100	0,80		
107919	R CTRR 900 300 1000 45 100 0D 20 CGF 0,8 mm Z140	900	300	1000	100	0,80		
107920	R CTRR 900 350 1000 45 100 0D 20 CGF 0,8 mm Z140	900	350	1000	100	0,80		
107921	R CTRR 900 400 1000 45 100 0D 20 CGF 0,8 mm Z140	900	400	1000	100	0,80		
107922	R CTRR 900 500 1000 45 100 0D 20 CGF 0,8 mm Z140	900	500	1000	100	0,80		
107923	R CTRR 900 600 1000 45 100 0D 20 CGF 0,8 mm Z140	900	600	1000	100	0,80		
107924	R CTRR 900 700 1000 45 100 0D 20 CGF 0,8 mm Z140	900	700	1000	100	0,80		
107925	R CTRR 900 800 1000 45 100 0D 20 CGF 0,8 mm Z140	900	800	1000	100	0,80		
107926	R CTRR 900 900 1000 45 100 0D 20 CGF 0,8 mm Z140	900	900	1000	100	0,80		

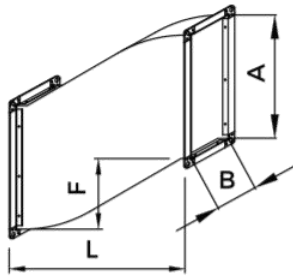
Note

For the other sizes, please contact the commercial department.

RECTANGULAR VENTILATION DUCTS AND FITTINGS INTEGRAL FLANGE CGF

Rectangular offsets with integral flange CGF

Offsets R PDRS



Description:

Offsets help by passing obstacles along the ductwork route, at intersections of two ducts.

Used Material:

Galvanized steel DX51, Class Z140.

Note:

The thickness of the galvanized sheet varies depending on the fittings size.

Product Code Model

Explanation:

R PDRS 150 100 100 210 20 CGF 0,5 mm Z140

R PDRS Type

100 F [mm]

150 A [mm]

210 L [mm]

100 B [mm]

20 CGF Flange Class

0,5 mm Thickness δ [mm]

SKU	TYPE	A [mm]	B [mm]	L [mm]	F [mm]	Thickness δ [mm]		
108037	R PDRS 150 100 100 210 20 CGF 0,5 mm Z140	150	100	210	100	0,50		
108038	R PDRS 150 150 100 210 20 CGF 0,5 mm Z140	150	150	210	100	0,50		
108039	R PDRS 200 100 100 260 20 CGF 0,5 mm Z140	200	100	260	100	0,50		
108040	R PDRS 200 150 100 260 20 CGF 0,5 mm Z140	200	150	260	100	0,50		
108041	R PDRS 200 200 100 260 20 CGF 0,5 mm Z140	200	200	260	100	0,50		
108042	R PDRS 250 150 125 310 20 CGF 0,5 mm Z140	250	150	310	125	0,50		
108043	R PDRS 250 200 125 310 20 CGF 0,5 mm Z140	250	200	310	125	0,50		
108044	R PDRS 250 250 125 310 20 CGF 0,5 mm Z140	250	250	310	125	0,50		
108045	R PDRS 300 150 150 360 20 CGF 0,6 mm Z140	300	150	360	150	0,60		
108046	R PDRS 300 200 150 360 20 CGF 0,6 mm Z140	300	200	360	150	0,60		
108047	R PDRS 300 250 150 360 20 CGF 0,6 mm Z140	300	250	360	150	0,60		
108048	R PDRS 300 300 150 360 20 CGF 0,6 mm Z140	300	300	360	150	0,60		
108049	R PDRS 400 200 200 460 20 CGF 0,6 mm Z140	400	200	460	200	0,60		
108050	R PDRS 400 250 200 460 20 CGF 0,6 mm Z140	400	250	460	200	0,60		
108051	R PDRS 400 300 200 460 20 CGF 0,6 mm Z140	400	300	460	200	0,60		
108052	R PDRS 400 400 200 460 20 CGF 0,6 mm Z140	400	400	460	200	0,60		
108053	R PDRS 500 200 250 560 20 CGF 0,6 mm Z140	500	200	560	250	0,60		
108054	R PDRS 500 250 250 560 20 CGF 0,6 mm Z140	500	250	560	250	0,60		
108055	R PDRS 500 300 250 560 20 CGF 0,6 mm Z140	500	300	560	250	0,60		
108056	R PDRS 500 350 250 560 20 CGF 0,6 mm Z140	500	350	560	250	0,60		
108057	R PDRS 500 400 250 560 20 CGF 0,6 mm Z140	500	400	560	250	0,60		
108058	R PDRS 500 500 250 560 20 CGF 0,6 mm Z140	500	500	560	250	0,60		
108059	R PDRS 600 200 300 660 20 CGF 0,6 mm Z140	600	200	660	300	0,60		
108060	R PDRS 600 250 300 660 20 CGF 0,6 mm Z140	600	250	660	300	0,60		
108061	R PDRS 600 300 300 660 20 CGF 0,6 mm Z140	600	300	660	300	0,60		
108062	R PDRS 600 400 300 660 20 CGF 0,6 mm Z140	600	400	660	300	0,60		

Note

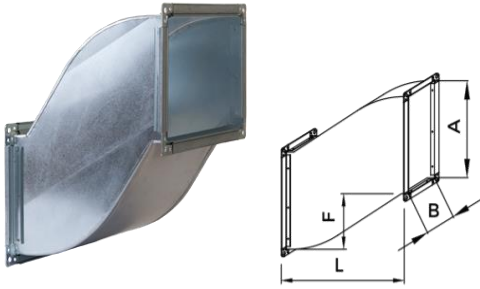
For the other sizes, please contact the commercial department.



RECTANGULAR VENTILATION DUCTS AND FITTINGS INTEGRAL FLANGE CGF

**Rectangular offsets
with integral flange CGF**

Offsets R PDRS



Product Code Model

Explanation:

R PDRS 600 500 300 660 20 CGF 0,6 mm Z140

R PDRS Type

300 F [mm]

600 A [mm]

660 L [mm]

500 B [mm]

20 CGF Flange Class

0,6 mm Thickness δ [mm]

SKU	TYPE	A [mm]	B [mm]	L [mm]	F [mm]	Thickness δ [mm]		
108063	R PDRS 600 500 300 660 20 CGF 0,6 mm Z140	600	500	660	300	0,60		
108064	R PDRS 600 600 300 660 20 CGF 0,7 mm Z140	600	600	660	300	0,70		
108065	R PDRS 700 300 350 760 20 CGF 0,7 mm Z140	700	300	760	350	0,70		
108066	R PDRS 700 350 350 760 20 CGF 0,7 mm Z140	700	350	760	350	0,70		
108067	R PDRS 700 400 350 760 20 CGF 0,7 mm Z140	700	400	760	350	0,70		
108068	R PDRS 700 500 350 760 20 CGF 0,7 mm Z140	700	500	760	350	0,70		
108069	R PDRS 700 600 350 760 20 CGF 0,7 mm Z140	700	600	760	350	0,70		
108070	R PDRS 700 700 350 760 20 CGF 0,7 mm Z140	700	700	760	350	0,70		
108071	R PDRS 800 300 400 860 20 CGF 0,7 mm Z140	800	300	860	400	0,70		
108072	R PDRS 800 350 400 860 20 CGF 0,7 mm Z140	800	350	860	400	0,70		
108073	R PDRS 800 400 400 860 20 CGF 0,7 mm Z140	800	400	860	400	0,70		
108074	R PDRS 800 500 400 860 20 CGF 0,8 mm Z140	800	500	860	400	0,80		
108075	R PDRS 800 600 400 860 20 CGF 0,8 mm Z140	800	600	860	400	0,80		
108076	R PDRS 800 700 400 860 20 CGF 0,8 mm Z140	800	700	860	400	0,80		
108077	R PDRS 800 800 400 860 20 CGF 0,8 mm Z140	800	800	860	400	0,80		
108078	R PDRS 900 300 450 960 20 CGF 0,8 mm Z140	900	300	960	450	0,80		
108079	R PDRS 900 350 450 960 20 CGF 0,8 mm Z140	900	350	960	450	0,80		
108080	R PDRS 900 400 450 960 20 CGF 0,8 mm Z140	900	400	960	450	0,80		
108081	R PDRS 900 500 450 960 20 CGF 0,8 mm Z140	900	500	960	450	0,80		
108082	R PDRS 900 600 450 960 20 CGF 0,8 mm Z140	900	600	960	450	0,80		
108083	R PDRS 900 700 450 960 20 CGF 0,8 mm Z140	900	700	960	450	0,80		
108084	R PDRS 900 800 450 960 20 CGF 0,8 mm Z140	900	800	960	450	0,80		
108085	R PDRS 900 900 450 960 20 CGF 0,8 mm Z140	900	900	960	450	0,80		
108086	R PDRS 1000 350 500 1060 20 CGF 0,8 mm Z140	1000	350	1060	500	0,80		
108087	R PDRS 1000 400 500 1060 20 CGF 0,8 mm Z140	1000	400	1060	500	0,80		
108088	R PDRS 1000 500 500 1060 30 CGF 1 mm Z140	1000	500	1060	500	1,00		
108089	R PDRS 1000 600 500 1060 30 CGF 1 mm Z140	1000	600	1060	500	1,00		
108090	R PDRS 1000 700 500 1060 30 CGF 1 mm Z140	1000	700	1060	500	1,00		
108091	R PDRS 1000 800 500 1060 30 CGF 1 mm Z140	1000	800	1060	500	1,00		
108092	R PDRS 1000 900 500 1060 30 CGF 1 mm Z140	1000	900	1060	500	1,00		
108093	R PDRS 1000 1000 500 1060 30 CGF 1 mm Z140	1000	1000	1060	500	1,00		

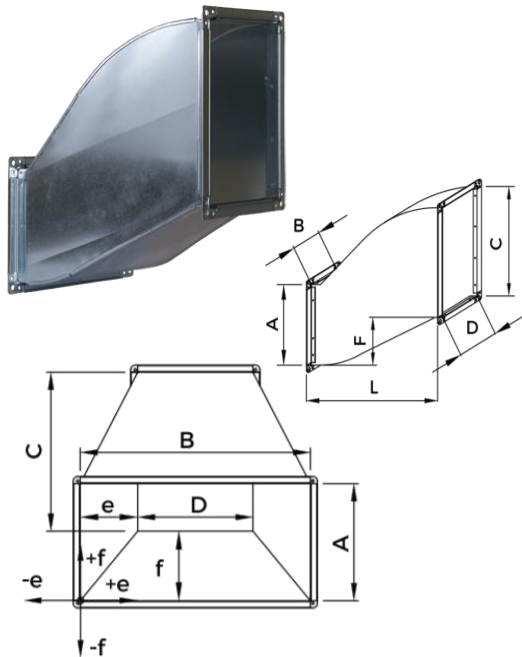
Note

For the other sizes, please contact the commercial department.

RECTANGULAR VENTILATION DUCTS AND FITTINGS INTEGRAL FLANGE CGF

Rectangular offsets with integral flange CGF

Offsets with rectangular cross-section R PDRSR



Description:

Offsets help by passing obstacles along the ductwork route, at intersections of two ducts.

Used Material:

Galvanized steel DX51, Class Z140.

Note:

The thickness of the galvanized sheet varies depending on the fittings size.

Product Code Model

Explanation:

R PDRSR 200 100 150 100 260 100 25 20 CGF 0,5 mm Z140

R PDRSR Type	260 L [mm]
200 A [mm]	100 F [mm]
100 B [mm]	25 E [mm]
150 C [mm]	20 CGF Flange Class
100 D [mm]	0,5 mm Thickness δ [mm]

SKU	TYPE	A [mm]	B [mm]	C [mm]	D [mm]	L [mm]	F [mm]	
107927	R PDRSR 200 100 150 100 260 100 25 20 CGF 0,5 mm Z140	200	100	150	100	260	100	
107928	R PDRSR 200 150 150 100 260 100 25 20 CGF 0,5 mm Z140	200	150	150	100	260	100	
107929	R PDRSR 200 150 150 150 260 100 25 20 CGF 0,5 mm Z140	200	150	150	150	260	100	
107930	R PDRSR 200 200 150 100 320 160 25 20 CGF 0,5 mm Z140	200	200	150	100	320	160	
107931	R PDRSR 200 200 150 150 320 160 25 20 CGF 0,5 mm Z140	200	200	150	150	320	160	
107932	R PDRSR 200 200 200 150 320 160 0 20 CGF 0,5 mm Z140	200	200	200	150	320	160	
107933	R PDRSR 250 150 150 100 310 125 50 20 CGF 0,5 mm Z140	250	150	150	100	310	125	
107934	R PDRSR 250 150 150 150 310 125 50 20 CGF 0,5 mm Z140	250	150	150	150	310	125	
107935	R PDRSR 250 150 200 150 310 125 25 20 CGF 0,5 mm Z140	250	150	200	150	310	125	
107936	R PDRSR 250 200 150 100 310 125 50 20 CGF 0,5 mm Z140	250	200	150	100	310	125	
107937	R PDRSR 250 200 150 150 310 125 50 20 CGF 0,5 mm Z140	250	200	150	150	310	125	
107938	R PDRSR 250 200 200 150 310 125 25 20 CGF 0,5 mm Z140	250	200	200	150	310	125	
107939	R PDRSR 250 200 200 200 310 125 25 20 CGF 0,5 mm Z140	250	200	200	200	310	125	
107940	R PDRSR 250 250 150 100 370 200 50 20 CGF 0,5 mm Z140	250	250	150	100	370	200	
107941	R PDRSR 250 250 150 150 370 200 50 20 CGF 0,5 mm Z140	250	250	150	150	370	200	
107942	R PDRSR 250 250 200 150 370 200 25 20 CGF 0,5 mm Z140	250	250	200	150	370	200	
107943	R PDRSR 250 250 200 200 370 200 25 20 CGF 0,5 mm Z140	250	250	200	200	370	200	
107944	R PDRSR 250 250 250 150 370 200 0 20 CGF 0,5 mm Z140	250	250	250	150	370	200	
107945	R PDRSR 250 250 250 200 370 200 0 20 CGF 0,5 mm Z140	250	250	250	200	370	200	
107946	R PDRSR 300 150 150 100 360 150 75 20 CGF 0,6 mm Z140	300	150	150	100	360	150	
107947	R PDRSR 300 150 150 150 360 150 75 20 CGF 0,6 mm Z140	300	150	150	150	360	150	
107948	R PDRSR 300 150 200 150 360 150 50 20 CGF 0,6 mm Z140	300	150	200	150	360	150	
107949	R PDRSR 300 150 250 150 360 150 25 20 CGF 0,6 mm Z140	300	150	250	150	360	150	
107950	R PDRSR 300 200 150 100 360 150 75 20 CGF 0,6 mm Z140	300	200	150	100	360	150	
107951	R PDRSR 300 200 150 150 360 150 75 20 CGF 0,6 mm Z140	300	200	150	150	360	150	
107952	R PDRSR 300 200 200 100 360 150 50 20 CGF 0,6 mm Z140	300	200	200	100	360	150	

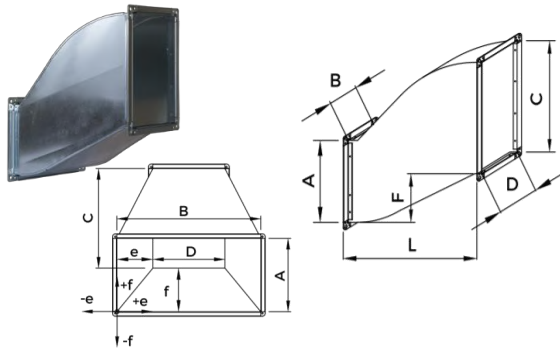
Note

For the other sizes, please contact the commercial department.

RECTANGULAR VENTILATION DUCTS AND FITTINGS INTEGRAL FLANGE CGF

Offsets with rectangular cross-section R PDRSR

Rectangular offsets with integral flange CGF



Product Code Model

Explanation:

R PDRSR 300 200 200 150 360 150 50 20 CGF 0,6 mm Z140

R PDRSR Type

- 300** A [mm]
- 200** B [mm]
- 200** C [mm]
- 150** D [mm]

- 360** L [mm]
- 150** F [mm]
- 50** E [mm]
- 20 CGF** Flange Class
- 0,6 mm** Thickness δ [mm]

SKU	TYPE	A [mm]	B [mm]	C [mm]	D [mm]	L [mm]	F [mm]	
107953	R PDRSR 300 200 200 150 360 150 50 20 CGF 0,6 mm Z140	300	200	200	150	360	150	
107954	R PDRSR 300 200 200 200 360 150 50 20 CGF 0,6 mm Z140	300	200	200	200	360	150	
107955	R PDRSR 300 200 250 150 360 150 25 20 CGF 0,6 mm Z140	300	200	250	150	360	150	
107956	R PDRSR 300 200 250 200 360 150 25 20 CGF 0,6 mm Z140	300	200	250	200	360	150	
107957	R PDRSR 300 200 300 150 360 150 0 20 CGF 0,6 mm Z140	300	200	300	150	360	150	
107958	R PDRSR 300 250 150 100 420 250 75 20 CGF 0,6 mm Z140	300	250	150	100	420	250	
107959	R PDRSR 300 250 150 150 420 250 75 20 CGF 0,6 mm Z140	300	250	150	150	420	250	
107960	R PDRSR 300 250 200 100 420 250 50 20 CGF 0,6 mm Z140	300	250	200	100	420	250	
107961	R PDRSR 300 250 200 150 420 250 50 20 CGF 0,6 mm Z140	300	250	200	150	420	250	
107962	R PDRSR 300 250 200 200 420 250 50 20 CGF 0,6 mm Z140	300	250	200	200	420	250	
107963	R PDRSR 300 250 250 150 420 250 25 20 CGF 0,6 mm Z140	300	250	250	150	420	250	
107964	R PDRSR 300 250 250 200 420 250 25 20 CGF 0,6 mm Z140	300	250	250	200	420	250	
107965	R PDRSR 300 250 250 250 420 250 25 20 CGF 0,6 mm Z140	300	250	250	250	420	250	
107966	R PDRSR 300 250 300 150 420 250 0 20 CGF 0,6 mm Z140	300	250	300	150	420	250	
107967	R PDRSR 300 250 300 200 420 250 0 20 CGF 0,6 mm Z140	300	250	300	200	420	250	
107968	R PDRSR 300 300 150 100 420 250 75 20 CGF 0,6 mm Z140	300	300	150	100	420	250	
107969	R PDRSR 300 300 150 150 420 250 75 20 CGF 0,6 mm Z140	300	300	150	150	420	250	
107970	R PDRSR 300 300 200 100 420 250 50 20 CGF 0,6 mm Z140	300	300	200	100	420	250	
107971	R PDRSR 300 300 200 150 420 250 50 20 CGF 0,6 mm Z140	300	300	200	150	420	250	
107972	R PDRSR 300 300 200 200 420 250 50 20 CGF 0,6 mm Z140	300	300	200	200	420	250	
107973	R PDRSR 300 300 250 150 420 250 25 20 CGF 0,6 mm Z140	300	300	250	150	420	250	
107974	R PDRSR 300 300 250 200 420 250 25 20 CGF 0,6 mm Z140	300	300	250	200	420	250	
107975	R PDRSR 300 300 250 250 420 250 25 20 CGF 0,6 mm Z140	300	300	250	250	420	250	
107976	R PDRSR 300 300 300 150 420 250 0 20 CGF 0,6 mm Z140	300	300	300	150	420	250	
107977	R PDRSR 300 300 300 200 420 250 0 20 CGF 0,6 mm Z140	300	300	300	200	420	250	
107978	R PDRSR 300 300 300 250 420 250 0 20 CGF 0,6 mm Z140	300	300	300	250	420	250	
107979	R PDRSR 400 200 200 150 460 200 100 20 CGF 0,6 mm Z140	400	200	200	150	460	200	
107980	R PDRSR 400 200 200 200 460 200 100 20 CGF 0,6 mm Z140	400	200	200	200	460	200	
107981	R PDRSR 400 200 250 150 460 200 75 20 CGF 0,6 mm Z140	400	200	250	150	460	200	
107982	R PDRSR 400 200 250 200 460 200 75 20 CGF 0,6 mm Z140	400	200	250	200	460	200	
107983	R PDRSR 400 200 300 150 460 200 50 20 CGF 0,6 mm Z140	400	200	300	150	460	200	
107984	R PDRSR 400 200 300 200 460 200 50 20 CGF 0,6 mm Z140	400	200	300	200	460	200	
107985	R PDRSR 400 250 200 150 460 200 100 20 CGF 0,6 mm Z140	400	250	200	150	460	200	
107986	R PDRSR 400 250 200 200 460 200 100 20 CGF 0,6 mm Z140	400	250	200	200	460	200	
107987	R PDRSR 400 250 250 150 460 200 75 20 CGF 0,6 mm Z140	400	250	250	150	460	200	

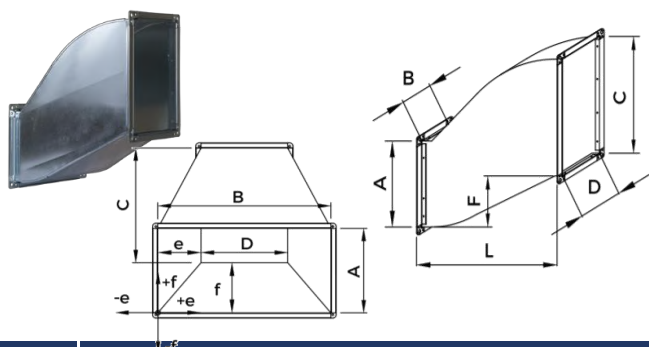
Note

For the other sizes, please contact the commercial department.

RECTANGULAR VENTILATION DUCTS AND FITTINGS INTEGRAL FLANGE CGF

Offsets with rectangular cross-section R PDRSR

**Rectangular offsets
with integral flange CGF**



Product Code Model

R PDRSR 400 250 250 200 460 200 75 20 CGF 0,6 mm Z140

R PDRSR Type **460** L [mm]
400 A [mm] **200** F [mm]
250 B [mm] **75** E [mm]
250 C [mm] **20** CGF Flange Class
200 D [mm] **0,6 mm** Thickness δ [mm]

SKU	TYPE	A [mm]	B [mm]	C [mm]	D [mm]	L [mm]	F [mm]	
107988	R PDRSR 400 250 250 200 460 200 75 20 CGF 0,6 mm Z140	400	250	250	200	460	200	
107989	R PDRSR 400 250 250 250 460 200 75 20 CGF 0,6 mm Z140	400	250	250	250	460	200	
107990	R PDRSR 400 250 300 150 460 200 50 20 CGF 0,6 mm Z140	400	250	300	150	460	200	
107991	R PDRSR 400 250 300 200 460 200 50 20 CGF 0,6 mm Z140	400	250	300	200	460	200	
107992	R PDRSR 400 250 300 250 460 200 50 20 CGF 0,6 mm Z140	400	250	300	250	460	200	
107993	R PDRSR 400 250 400 200 460 200 0 20 CGF 0,6 mm Z140	400	250	400	200	460	200	
107994	R PDRSR 400 300 200 150 460 200 100 20 CGF 0,6 mm Z140	400	300	200	150	460	200	
107995	R PDRSR 400 300 200 200 460 200 100 20 CGF 0,6 mm Z140	400	300	200	200	460	200	
107996	R PDRSR 400 300 250 150 460 200 75 20 CGF 0,6 mm Z140	400	300	250	150	460	200	
107997	R PDRSR 400 300 250 200 460 200 75 20 CGF 0,6 mm Z140	400	300	250	200	460	200	
107998	R PDRSR 400 300 250 250 460 200 75 20 CGF 0,6 mm Z140	400	300	250	250	460	200	
107999	R PDRSR 400 300 300 150 460 200 50 20 CGF 0,6 mm Z140	400	300	300	150	460	200	
108000	R PDRSR 400 300 300 200 460 200 50 20 CGF 0,6 mm Z140	400	300	300	200	460	200	
108001	R PDRSR 400 300 300 250 460 200 50 20 CGF 0,6 mm Z140	400	300	300	250	460	200	
108002	R PDRSR 400 300 300 300 460 200 50 20 CGF 0,6 mm Z140	400	300	300	300	460	200	
108003	R PDRSR 400 300 400 200 460 200 0 20 CGF 0,6 mm Z140	400	300	400	200	460	200	
108004	R PDRSR 400 400 200 150 520 320 100 20 CGF 0,6 mm Z140	400	400	200	150	520	320	
108005	R PDRSR 400 400 200 200 520 320 100 20 CGF 0,6 mm Z140	400	400	200	200	520	320	
108006	R PDRSR 400 400 250 150 520 320 75 20 CGF 0,6 mm Z140	400	400	250	150	520	320	
108007	R PDRSR 400 400 250 200 520 320 75 20 CGF 0,6 mm Z140	400	400	250	200	520	320	
108008	R PDRSR 400 400 250 250 520 320 75 20 CGF 0,6 mm Z140	400	400	250	250	520	320	
108009	R PDRSR 400 400 300 150 520 320 50 20 CGF 0,6 mm Z140	400	400	300	150	520	320	
108010	R PDRSR 400 400 300 200 520 320 50 20 CGF 0,6 mm Z140	400	400	300	200	520	320	
108011	R PDRSR 400 400 300 250 520 320 50 20 CGF 0,6 mm Z140	400	400	300	250	520	320	
108012	R PDRSR 400 400 300 300 520 320 50 20 CGF 0,6 mm Z140	400	400	300	300	520	320	
108013	R PDRSR 400 400 400 200 520 320 0 20 CGF 0,6 mm Z140	400	400	400	200	520	320	
108014	R PDRSR 400 400 400 250 520 320 0 20 CGF 0,6 mm Z140	400	400	400	250	520	320	
108015	R PDRSR 400 400 400 300 520 320 0 20 CGF 0,6 mm Z140	400	400	400	300	520	320	
108016	R PDRSR 500 200 300 150 560 250 100 20 CGF 0,6 mm Z140	500	200	300	150	560	250	
108017	R PDRSR 500 200 300 200 560 250 100 20 CGF 0,6 mm Z140	500	200	300	200	560	250	
108018	R PDRSR 500 200 400 200 560 250 50 20 CGF 0,6 mm Z140	500	200	400	200	560	250	
108019	R PDRSR 500 250 300 150 560 250 100 20 CGF 0,6 mm Z140	500	250	300	150	560	250	
108020	R PDRSR 500 250 300 200 560 250 100 20 CGF 0,6 mm Z140	500	250	300	200	560	250	
108021	R PDRSR 500 250 300 250 560 250 100 20 CGF 0,6 mm Z140	500	250	300	250	560	250	
108022	R PDRSR 500 250 400 200 560 250 50 20 CGF 0,6 mm Z140	500	250	400	200	560	250	

Note

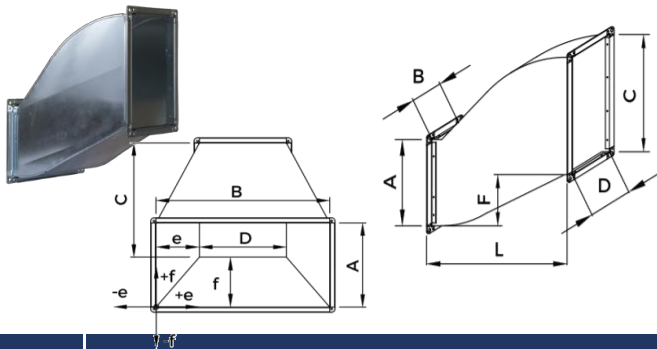
For the other sizes, please contact the commercial department.



RECTANGULAR VENTILATION DUCTS AND FITTINGS INTEGRAL FLANGE CGF

Offsets with rectangular cross-section R PDRSR

Rectangular offsets with integral flange CGF



Product Code Model

R PDRSR 500 250 400 250 560 250 50 20 CGF 0,6 mm Z140

R PDRSR Type

- 500 A [mm]
- 250 B [mm]
- 400 C [mm]
- 250 D [mm]

- 560 L [mm]
- 250 F [mm]
- 50 E [mm]
- 20 CGF Flange Class
- 0,6 mm Thickness δ [mm]

SKU	TYPE	A [mm]	B [mm]	C [mm]	D [mm]	L [mm]	F [mm]	
108023	R PDRSR 500 250 400 250 560 250 50 20 CGF 0,6 mm Z140	500	250	400	250	560	250	
108024	R PDRSR 500 300 300 150 560 250 100 20 CGF 0,6 mm Z140	500	300	300	150	560	250	
108025	R PDRSR 500 300 300 200 560 250 100 20 CGF 0,6 mm Z140	500	300	300	200	560	250	
108026	R PDRSR 500 300 300 250 560 250 100 20 CGF 0,6 mm Z140	500	300	300	250	560	250	
108027	R PDRSR 500 300 300 300 560 250 100 20 CGF 0,6 mm Z140	500	300	300	300	560	250	
108028	R PDRSR 500 300 400 200 560 250 50 20 CGF 0,6 mm Z140	500	300	400	200	560	250	
108029	R PDRSR 500 300 400 250 560 250 50 20 CGF 0,6 mm Z140	500	300	400	250	560	250	
108030	R PDRSR 500 300 400 300 560 250 50 20 CGF 0,6 mm Z140	500	300	400	300	560	250	
108031	R PDRSR 500 300 500 250 560 250 0 20 CGF 0,6 mm Z140	500	300	500	250	560	250	
108032	R PDRSR 500 400 300 200 560 250 100 20 CGF 0,6 mm Z140	500	400	300	200	560	250	
108033	R PDRSR 500 400 400 200 560 250 50 20 CGF 0,6 mm Z140	500	400	400	200	560	250	
108034	R PDRSR 500 400 400 250 560 250 50 20 CGF 0,6 mm Z140	500	400	400	250	560	250	
108035	R PDRSR 500 400 400 300 560 250 50 20 CGF 0,6 mm Z140	500	400	400	300	560	250	
108036	R PDRSR 500 400 500 250 560 250 0 20 CGF 0,6 mm Z140	500	400	500	250	560	250	

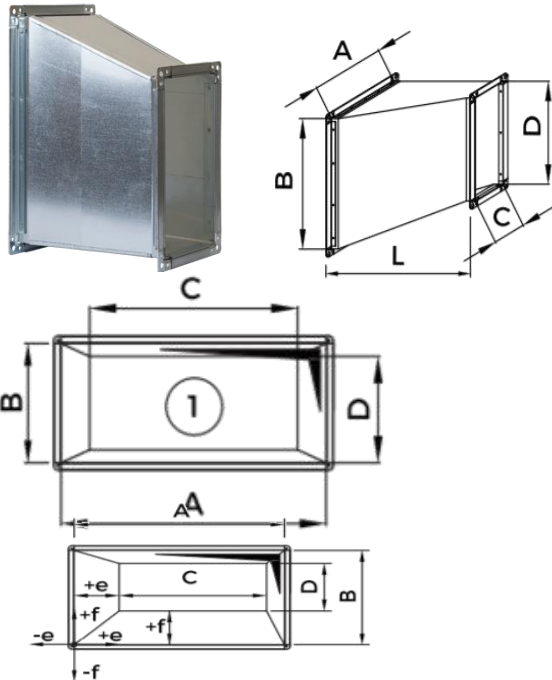
Note

For the other sizes, please contact the commercial department.

RECTANGULAR VENTILATION DUCTS AND FITTINGS INTEGRAL FLANGE CGF

Rectangular reducers with integral flange CGF

Rectangular eccentric reducers Type 1 R RR



Description:

The eccentric reducers are adapters designed for coupling two rectangular ducts of different sizes.

Used Material:

Galvanized steel DX51, Class Z140.

Note:

The thickness of the galvanized sheet varies depending on the fittings size.

Product Code Model

Explanation:

R RR 200 100 150 100 200 20 CGF 1 0,5 mm Z140

- R RR** Type
- 200** A [mm]
- 100** B [mm]
- 150** C [mm]
- 100 D** [mm]
- 200** L [mm]
- 20 CGF** Flange Class
- 1** Type 1
- 0,5 mm** Thickness δ [mm]

SKU	TYPE	A [mm]	B [mm]	C [mm]	D [mm]	L [mm]	Thickness δ [mm]
108094	R RR 200 100 150 100 200 20 CGF 1 0,5 mm Z140	200	100	150	100	200	0,50
108095	R RR 200 150 150 100 200 20 CGF 1 0,5 mm Z140	200	150	150	100	200	0,50
108096	R RR 200 150 150 150 200 20 CGF 1 0,5 mm Z140	200	150	150	150	200	0,50
108097	R RR 200 200 150 100 300 20 CGF 1 0,5 mm Z140	200	200	150	100	300	0,50
108098	R RR 200 200 150 150 200 20 CGF 1 0,5 mm Z140	200	200	150	150	200	0,50
108099	R RR 200 200 200 150 200 20 CGF 1 0,5 mm Z140	200	200	200	150	200	0,50
108100	R RR 250 150 150 100 300 20 CGF 1 0,5 mm Z140	250	150	150	100	300	0,50
108101	R RR 250 150 150 150 300 20 CGF 1 0,5 mm Z140	250	150	150	150	300	0,50
108102	R RR 250 150 200 150 200 20 CGF 1 0,5 mm Z140	250	150	200	150	200	0,50
108103	R RR 250 200 150 100 300 20 CGF 1 0,5 mm Z140	250	200	150	100	300	0,50
108104	R RR 250 200 150 150 300 20 CGF 1 0,5 mm Z140	250	200	150	150	300	0,50
108105	R RR 250 200 200 150 200 20 CGF 1 0,5 mm Z140	250	200	200	150	200	0,50
108106	R RR 250 200 200 200 200 20 CGF 1 0,5 mm Z140	250	200	200	200	200	0,50
108107	R RR 250 250 150 100 350 20 CGF 1 0,5 mm Z140	250	250	150	100	350	0,50
108108	R RR 250 250 150 150 300 20 CGF 1 0,5 mm Z140	250	250	150	150	300	0,50
108109	R RR 250 250 200 150 300 20 CGF 1 0,5 mm Z140	250	250	200	150	300	0,50
108110	R RR 250 250 200 200 200 20 CGF 1 0,5 mm Z140	250	250	200	200	200	0,50
108111	R RR 250 250 250 150 300 20 CGF 1 0,5 mm Z140	250	250	250	150	300	0,50
108112	R RR 250 250 250 200 200 20 CGF 1 0,5 mm Z140	250	250	250	200	200	0,50
108113	R RR 300 150 150 100 350 20 CGF 1 0,6 mm Z140	300	150	150	100	350	0,60
108114	R RR 300 150 150 150 350 20 CGF 1 0,6 mm Z140	300	150	150	150	350	0,60
108115	R RR 300 150 200 150 300 20 CGF 1 0,6 mm Z140	300	150	200	150	300	0,60
108116	R RR 300 150 250 150 200 20 CGF 1 0,6 mm Z140	300	150	250	150	200	0,60
108117	R RR 300 200 150 100 350 20 CGF 1 0,6 mm Z140	300	200	150	100	350	0,60
108118	R RR 300 200 150 150 350 20 CGF 1 0,6 mm Z140	300	200	150	150	350	0,60
108119	R RR 300 200 200 100 300 20 CGF 1 0,6 mm Z140	300	200	200	100	300	0,60

Note

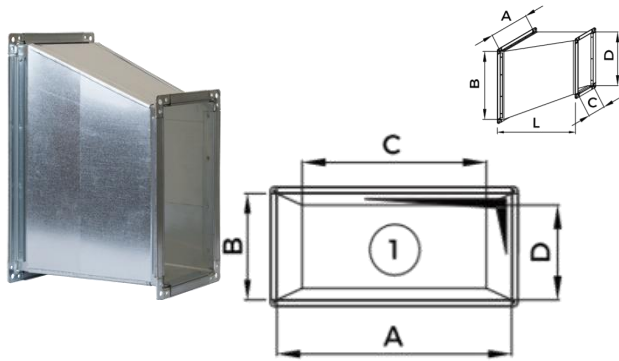
For the other sizes, please contact the commercial department.



RECTANGULAR VENTILATION DUCTS AND FITTINGS INTEGRAL FLANGE CGF

Rectangular reducers with integral flange CGF

Rectangular eccentric reducers Type 1 R RR



Product Code Model

Explanation:

R RR 300 200 200 150 300 20 CGF 1 0,6 mm Z140

- R RR** Type
- 300** A [mm]
- 200** B [mm]
- 200** C [mm]
- 150** D [mm]
- 300** L [mm]
- 20 CGF** Flange Class
- 1** Type 1
- 0,6 mm** Thickness δ [mm]

SKU	TYPE	A [mm]	B [mm]	C [mm]	D [mm]	L [mm]	Thickness δ [mm]
108120	R RR 300 200 200 150 300 20 CGF 1 0,6 mm Z140	300	200	200	150	300	0,60
108121	R RR 300 200 200 200 300 20 CGF 1 0,6 mm Z140	300	200	200	200	300	0,60
108122	R RR 300 200 250 150 200 20 CGF 1 0,6 mm Z140	300	200	250	150	200	0,60
108123	R RR 300 200 250 200 200 20 CGF 1 0,6 mm Z140	300	200	250	200	200	0,60
108124	R RR 300 200 300 150 200 20 CGF 1 0,6 mm Z140	300	200	300	150	200	0,60
108125	R RR 300 250 150 100 350 20 CGF 1 0,6 mm Z140	300	250	150	100	350	0,60
108126	R RR 300 250 150 150 350 20 CGF 1 0,6 mm Z140	300	250	150	150	350	0,60
108127	R RR 300 250 200 100 350 20 CGF 1 0,6 mm Z140	300	250	200	100	350	0,60
108128	R RR 300 250 200 150 300 20 CGF 1 0,6 mm Z140	300	250	200	150	300	0,60
108129	R RR 300 250 200 200 300 20 CGF 1 0,6 mm Z140	300	250	200	200	300	0,60
108130	R RR 300 250 250 150 300 20 CGF 1 0,6 mm Z140	300	250	250	150	300	0,60
108131	R RR 300 250 250 200 200 20 CGF 1 0,6 mm Z140	300	250	250	200	200	0,60
108132	R RR 300 250 250 250 200 20 CGF 1 0,6 mm Z140	300	250	250	250	200	0,60
108133	R RR 300 250 300 150 300 20 CGF 1 0,6 mm Z140	300	250	300	150	300	0,60
108134	R RR 300 250 300 200 200 20 CGF 1 0,6 mm Z140	300	250	300	200	200	0,60
108135	R RR 300 300 150 100 450 20 CGF 1 0,6 mm Z140	300	300	150	100	450	0,60
108136	R RR 300 300 150 150 350 20 CGF 1 0,6 mm Z140	300	300	150	150	350	0,60
108137	R RR 300 300 200 100 450 20 CGF 1 0,6 mm Z140	300	300	200	100	450	0,60
108138	R RR 300 300 200 150 350 20 CGF 1 0,6 mm Z140	300	300	200	150	350	0,60
108139	R RR 300 300 200 200 300 20 CGF 1 0,6 mm Z140	300	300	200	200	300	0,60
108140	R RR 300 300 250 150 350 20 CGF 1 0,6 mm Z140	300	300	250	150	350	0,60
108141	R RR 300 300 250 200 300 20 CGF 1 0,6 mm Z140	300	300	250	200	300	0,60
108142	R RR 300 300 250 250 200 20 CGF 1 0,6 mm Z140	300	300	250	250	200	0,60
108143	R RR 300 300 300 150 350 20 CGF 1 0,6 mm Z140	300	300	300	150	350	0,60
108144	R RR 300 300 300 200 300 20 CGF 1 0,6 mm Z140	300	300	300	200	300	0,60
108145	R RR 300 300 300 250 200 20 CGF 1 0,6 mm Z140	300	300	300	250	200	0,60
108146	R RR 400 200 200 150 450 20 CGF 1 0,6 mm Z140	400	200	200	150	450	0,60
108147	R RR 400 200 200 200 450 20 CGF 1 0,6 mm Z140	400	200	200	200	450	0,60
108148	R RR 400 200 250 150 350 20 CGF 1 0,6 mm Z140	400	200	250	150	350	0,60
108149	R RR 400 200 250 200 350 20 CGF 1 0,6 mm Z140	400	200	250	200	350	0,60
108150	R RR 400 200 300 150 300 20 CGF 1 0,6 mm Z140	400	200	300	150	300	0,60
108151	R RR 400 200 300 200 300 20 CGF 1 0,6 mm Z140	400	200	300	200	300	0,60
108152	R RR 400 250 200 150 450 20 CGF 1 0,6 mm Z140	400	250	200	150	450	0,60
108153	R RR 400 250 200 200 450 20 CGF 1 0,6 mm Z140	400	250	200	200	450	0,60
108154	R RR 400 250 250 150 350 20 CGF 1 0,6 mm Z140	400	250	250	150	350	0,60
108155	R RR 400 250 250 200 350 20 CGF 1 0,6 mm Z140	400	250	250	200	350	0,60

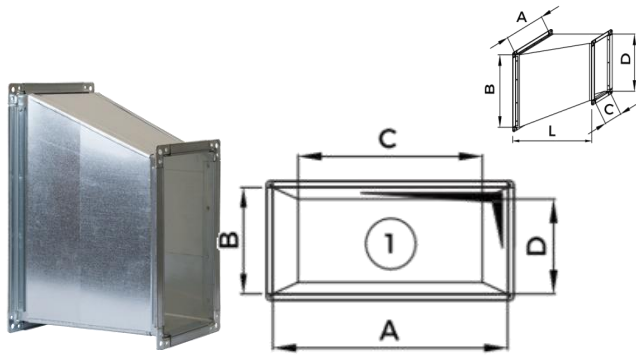
Note

For the other sizes, please contact the commercial department.

RECTANGULAR VENTILATION DUCTS AND FITTINGS INTEGRAL FLANGE CGF

Rectangular reducers with integral flange CGF

Rectangular eccentric reducers Type 1 R RR



Product Code Model

Explanation:

R RR 400 250 250 250 350 20 CGF 1 0,6 mm Z140

- R RR** Type
- 400** A [mm]
- 250** B [mm]
- 250** C [mm]
- 250** D [mm]
- 350** L [mm]
- 20 CGF** Flange Class
- 1** Type 1
- 0,6 mm** Thickness δ [mm]

SKU	TYPE	A [mm]	B [mm]	C [mm]	D [mm]	L [mm]	Thickness δ [mm]
108156	R RR 400 250 250 250 350 20 CGF 1 0,6 mm Z140	400	250	250	250	350	0,60
108157	R RR 400 250 300 150 300 20 CGF 1 0,6 mm Z140	400	250	300	150	300	0,60
108158	R RR 400 250 300 200 300 20 CGF 1 0,6 mm Z140	400	250	300	200	300	0,60
108159	R RR 400 250 300 250 300 20 CGF 1 0,6 mm Z140	400	250	300	250	300	0,60
108160	R RR 400 250 400 200 200 20 CGF 1 0,6 mm Z140	400	250	400	200	200	0,60
108161	R RR 400 300 200 150 450 20 CGF 1 0,6 mm Z140	400	300	200	150	450	0,60
108162	R RR 400 300 200 200 450 20 CGF 1 0,6 mm Z140	400	300	200	200	450	0,60
108163	R RR 400 300 250 150 350 20 CGF 1 0,6 mm Z140	400	300	250	150	350	0,60
108164	R RR 400 300 250 200 350 20 CGF 1 0,6 mm Z140	400	300	250	200	350	0,60
108165	R RR 400 300 250 250 350 20 CGF 1 0,6 mm Z140	400	300	250	250	350	0,60
108166	R RR 400 300 300 150 350 20 CGF 1 0,6 mm Z140	400	300	300	150	350	0,60
108167	R RR 400 300 300 200 300 20 CGF 1 0,6 mm Z140	400	300	300	200	300	0,60
108168	R RR 400 300 300 250 300 20 CGF 1 0,6 mm Z140	400	300	300	250	300	0,60
108169	R RR 400 300 300 300 300 20 CGF 1 0,6 mm Z140	400	300	300	300	300	0,60
108170	R RR 400 300 400 200 300 20 CGF 1 0,6 mm Z140	400	300	400	200	300	0,60
108171	R RR 400 400 200 150 550 20 CGF 1 0,6 mm Z140	400	400	200	150	550	0,60
108172	R RR 400 400 200 200 450 20 CGF 1 0,6 mm Z140	400	400	200	200	450	0,60
108173	R RR 400 400 250 150 550 20 CGF 1 0,6 mm Z140	400	400	250	150	550	0,60
108174	R RR 400 400 250 200 450 20 CGF 1 0,6 mm Z140	400	400	250	200	450	0,60
108175	R RR 400 400 250 250 350 20 CGF 1 0,6 mm Z140	400	400	250	250	350	0,60
108176	R RR 400 400 300 150 550 20 CGF 1 0,6 mm Z140	400	400	300	150	550	0,60
108177	R RR 400 400 300 200 450 20 CGF 1 0,6 mm Z140	400	400	300	200	450	0,60
108178	R RR 400 400 300 250 350 20 CGF 1 0,6 mm Z140	400	400	300	250	350	0,60
108179	R RR 400 400 300 300 300 20 CGF 1 0,6 mm Z140	400	400	300	300	300	0,60
108180	R RR 400 400 400 200 450 20 CGF 1 0,6 mm Z140	400	400	400	200	450	0,60
108181	R RR 400 400 400 250 350 20 CGF 1 0,6 mm Z140	400	400	400	250	350	0,60
108182	R RR 400 400 400 300 300 20 CGF 1 0,6 mm Z140	400	400	400	300	300	0,60
108183	R RR 500 200 300 150 450 20 CGF 1 0,6 mm Z140	500	200	300	150	450	0,60
108184	R RR 500 200 300 200 450 20 CGF 1 0,6 mm Z140	500	200	300	200	450	0,60
108185	R RR 500 200 400 200 300 20 CGF 1 0,6 mm Z140	500	200	400	200	300	0,60
108186	R RR 500 250 300 150 450 20 CGF 1 0,6 mm Z140	500	250	300	150	450	0,60
108187	R RR 500 250 300 200 450 20 CGF 1 0,6 mm Z140	500	250	300	200	450	0,60
108188	R RR 500 250 300 250 450 20 CGF 1 0,6 mm Z140	500	250	300	250	450	0,60
108189	R RR 500 250 400 200 300 20 CGF 1 0,6 mm Z140	500	250	400	200	300	0,60
108190	R RR 500 250 400 250 300 20 CGF 1 0,6 mm Z140	500	250	400	250	300	0,60
108191	R RR 500 300 300 150 450 20 CGF 1 0,6 mm Z140	500	300	300	150	450	0,60

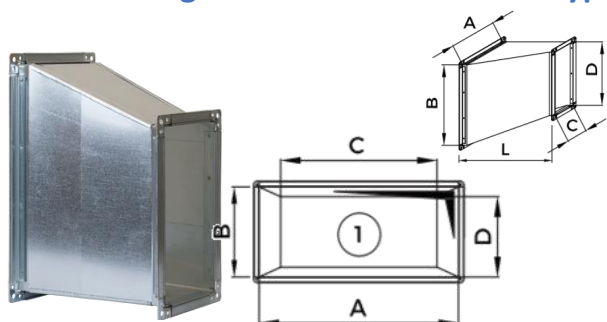
Note

For the other sizes, please contact the commercial department.

RECTANGULAR VENTILATION DUCTS AND FITTINGS INTEGRAL FLANGE CGF

**Rectangular reducers
with integral flange CGF**

Rectangular eccentric reducers Type 1 R RR



Product Code Model

Explanation:

R RR 500 300 300 200 450 20 CGF 1 0,6 mm Z140

R RR Type **200 D [mm]**
500 A [mm] **450 L [mm]**
300 B [mm] **20 CGF Flange Class**
300 C [mm] **1 Type 1**
0,6 mm Thickness δ [mm]

SKU	TYPE	A [mm]	B [mm]	C [mm]	D [mm]	L [mm]	Thickness δ [mm]
108192	R RR 500 300 300 200 450 20 CGF 1 0,6 mm Z140	500	300	300	200	450	0,60
108193	R RR 500 300 300 250 450 20 CGF 1 0,6 mm Z140	500	300	300	250	450	0,60
108194	R RR 500 300 300 300 450 20 CGF 1 0,6 mm Z140	500	300	300	300	450	0,60
108195	R RR 500 300 400 200 300 20 CGF 1 0,6 mm Z140	500	300	400	200	300	0,60
108196	R RR 500 300 400 250 300 20 CGF 1 0,6 mm Z140	500	300	400	250	300	0,60
108197	R RR 500 300 400 300 300 20 CGF 1 0,6 mm Z140	500	300	400	300	300	0,60
108198	R RR 500 300 500 250 200 20 CGF 1 0,6 mm Z140	500	300	500	250	200	0,60
108199	R RR 500 400 300 200 450 20 CGF 1 0,6 mm Z140	500	400	300	200	450	0,60
108200	R RR 500 400 400 200 450 20 CGF 1 0,6 mm Z140	500	400	400	200	450	0,60
108201	R RR 500 400 400 250 350 20 CGF 1 0,6 mm Z140	500	400	400	250	350	0,60
108202	R RR 500 400 400 300 300 20 CGF 1 0,6 mm Z140	500	400	400	300	300	0,60
108203	R RR 500 400 500 250 350 20 CGF 1 0,6 mm Z140	500	400	500	250	350	0,60

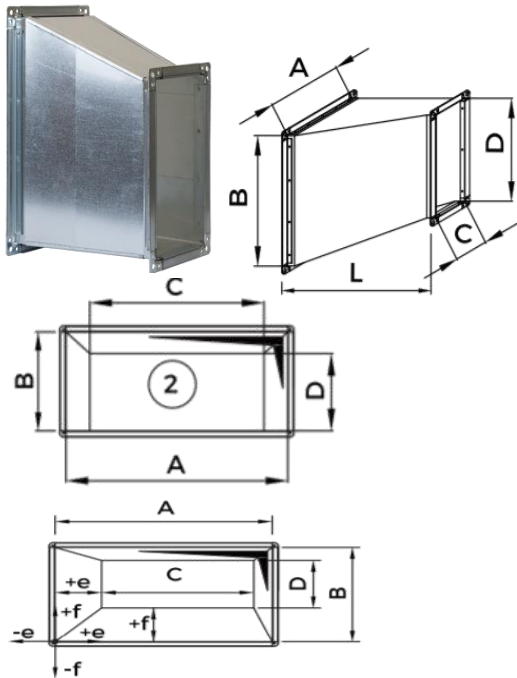
Note

For the other sizes, please contact the commercial department.

RECTANGULAR VENTILATION DUCTS AND FITTINGS INTEGRAL FLANGE CGF

Rectangular reducers with integral flange CGF

Rectangular eccentric reducers Type 2 R RR



Description:

The eccentric reducers are adapters designed for coupling two rectangular ducts of different sizes.

Used Material:

Galvanized steel DX51, Class Z140.

Note:

The thickness of the galvanized sheet varies depending on the fittings size.

Product Code Model

Explanation:

R RR 200 100 150 100 200 20 CGF 2 0,5 mm Z140

- R RR** Type
- 200** A [mm]
- 100** B [mm]
- 150** C [mm]
- 100** D [mm]
- 200** L [mm]
- 20 CGF** Flange Class
- 2** Type 2
- 0,5 mm** Thickness δ [mm]

SKU	TYPE	A [mm]	B [mm]	C [mm]	D [mm]	L [mm]	Thickness δ [mm]
108204	R RR 200 100 150 100 200 20 CGF 2 0,5 mm Z140	200	100	150	100	200	0,50
108205	R RR 200 150 150 100 200 20 CGF 2 0,5 mm Z140	200	150	150	100	200	0,50
108206	R RR 200 150 150 150 200 20 CGF 2 0,5 mm Z140	200	150	150	150	200	0,50
108207	R RR 200 200 150 100 300 20 CGF 2 0,5 mm Z140	200	200	150	100	300	0,50
108208	R RR 200 200 150 150 200 20 CGF 2 0,5 mm Z140	200	200	150	150	200	0,50
108209	R RR 200 200 200 150 200 20 CGF 2 0,5 mm Z140	200	200	200	150	200	0,50
108210	R RR 250 150 150 100 300 20 CGF 2 0,5 mm Z140	250	150	150	100	300	0,50
108211	R RR 250 150 150 150 300 20 CGF 2 0,5 mm Z140	250	150	150	150	300	0,50
108212	R RR 250 150 200 150 200 20 CGF 2 0,5 mm Z140	250	150	200	150	200	0,50
108213	R RR 250 200 150 100 300 20 CGF 2 0,5 mm Z140	250	200	150	100	300	0,50
108214	R RR 250 200 150 150 300 20 CGF 2 0,5 mm Z140	250	200	150	150	300	0,50
108215	R RR 250 200 200 150 200 20 CGF 2 0,5 mm Z140	250	200	200	150	200	0,50
108216	R RR 250 200 200 200 200 20 CGF 2 0,5 mm Z140	250	200	200	200	200	0,50
108217	R RR 250 250 150 100 350 20 CGF 2 0,5 mm Z140	250	250	150	100	350	0,50
108218	R RR 250 250 150 150 300 20 CGF 2 0,5 mm Z140	250	250	150	150	300	0,50
108219	R RR 250 250 200 150 300 20 CGF 2 0,5 mm Z140	250	250	200	150	300	0,50
108220	R RR 250 250 200 200 200 20 CGF 2 0,5 mm Z140	250	250	200	200	200	0,50
108221	R RR 250 250 250 150 300 20 CGF 2 0,5 mm Z140	250	250	250	150	300	0,50
108222	R RR 250 250 250 200 200 20 CGF 2 0,5 mm Z140	250	250	250	200	200	0,50
108223	R RR 300 150 150 100 350 20 CGF 2 0,6 mm Z140	300	150	150	100	350	0,60
108224	R RR 300 150 150 150 350 20 CGF 2 0,6 mm Z140	300	150	150	150	350	0,60
108225	R RR 300 150 200 150 300 20 CGF 2 0,6 mm Z140	300	150	200	150	300	0,60
108226	R RR 300 150 250 150 200 20 CGF 2 0,6 mm Z140	300	150	250	150	200	0,60
108227	R RR 300 200 150 100 350 20 CGF 2 0,6 mm Z140	300	200	150	100	350	0,60
108228	R RR 300 200 150 150 350 20 CGF 2 0,6 mm Z140	300	200	150	150	350	0,60
108229	R RR 300 200 200 100 300 20 CGF 2 0,6 mm Z140	300	200	200	100	300	0,60

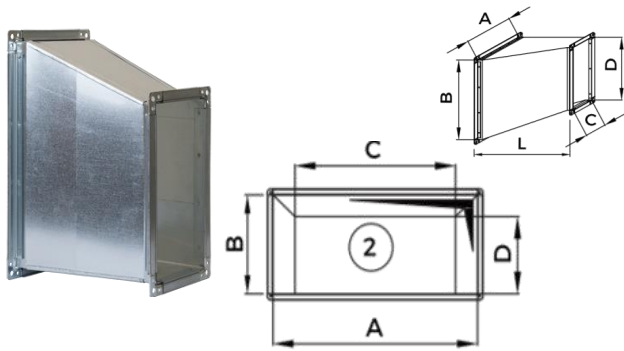
Note

For the other sizes, please contact the commercial department.

RECTANGULAR VENTILATION DUCTS AND FITTINGS INTEGRAL FLANGE CGF

Rectangular reducers with integral flange CGF

Rectangular eccentric reducers Type 2 R RR



Product Code Model

Explanation:

R RR 300 200 200 150 300 20 CGF 2 0,6 mm Z140

- R RR** Type
- 300** A [mm]
- 200** B [mm]
- 200** C [mm]
- 150** D [mm]
- 300** L [mm]
- 20 CGF** Flange Class
- 2** Type 2
- 0,6 mm** Thickness δ [mm]

SKU	TYPE	A [mm]	B [mm]	C [mm]	D [mm]	L [mm]	Thickness δ [mm]
108230	R RR 300 200 200 150 300 20 CGF 2 0,6 mm Z140	300	200	200	150	300	0,60
108231	R RR 300 200 200 200 300 20 CGF 2 0,6 mm Z140	300	200	200	200	300	0,60
108232	R RR 300 200 250 150 200 20 CGF 2 0,6 mm Z140	300	200	250	150	200	0,60
108233	R RR 300 200 250 200 200 20 CGF 2 0,6 mm Z140	300	200	250	200	200	0,60
108234	R RR 300 200 300 150 200 20 CGF 2 0,6 mm Z140	300	200	300	150	200	0,60
108235	R RR 300 250 150 100 350 20 CGF 2 0,6 mm Z140	300	250	150	100	350	0,60
108236	R RR 300 250 150 150 350 20 CGF 2 0,6 mm Z140	300	250	150	150	350	0,60
108237	R RR 300 250 200 100 350 20 CGF 2 0,6 mm Z140	300	250	200	100	350	0,60
108238	R RR 300 250 200 150 300 20 CGF 2 0,6 mm Z140	300	250	200	150	300	0,60
108239	R RR 300 250 200 200 300 20 CGF 2 0,6 mm Z140	300	250	200	200	300	0,60
108240	R RR 300 250 250 150 300 20 CGF 2 0,6 mm Z140	300	250	250	150	300	0,60
108241	R RR 300 250 250 200 200 20 CGF 2 0,6 mm Z140	300	250	250	200	200	0,60
108242	R RR 300 250 250 250 200 20 CGF 2 0,6 mm Z140	300	250	250	250	200	0,60
108243	R RR 300 250 300 150 300 20 CGF 2 0,6 mm Z140	300	250	300	150	300	0,60
108244	R RR 300 250 300 200 200 20 CGF 2 0,6 mm Z140	300	250	300	200	200	0,60
108245	R RR 300 300 150 100 450 20 CGF 2 0,6 mm Z140	300	300	150	100	450	0,60
108246	R RR 300 300 150 150 350 20 CGF 2 0,6 mm Z140	300	300	150	150	350	0,60
108247	R RR 300 300 200 100 450 20 CGF 2 0,6 mm Z140	300	300	200	100	450	0,60
108248	R RR 300 300 200 150 350 20 CGF 2 0,6 mm Z140	300	300	200	150	350	0,60
108249	R RR 300 300 200 200 300 20 CGF 2 0,6 mm Z140	300	300	200	200	300	0,60
108250	R RR 300 300 250 150 350 20 CGF 2 0,6 mm Z140	300	300	250	150	350	0,60
108251	R RR 300 300 250 200 300 20 CGF 2 0,6 mm Z140	300	300	250	200	300	0,60
108252	R RR 300 300 250 250 200 20 CGF 2 0,6 mm Z140	300	300	250	250	200	0,60
108253	R RR 300 300 300 150 350 20 CGF 2 0,6 mm Z140	300	300	300	150	350	0,60
108254	R RR 300 300 300 200 300 20 CGF 2 0,6 mm Z140	300	300	300	200	300	0,60
108255	R RR 300 300 300 250 200 20 CGF 2 0,6 mm Z140	300	300	300	250	200	0,60
108256	R RR 400 200 200 150 450 20 CGF 2 0,6 mm Z140	400	200	200	150	450	0,60
108257	R RR 400 200 200 200 450 20 CGF 2 0,6 mm Z140	400	200	200	200	450	0,60
108258	R RR 400 200 250 150 350 20 CGF 2 0,6 mm Z140	400	200	250	150	350	0,60
108259	R RR 400 200 250 200 350 20 CGF 2 0,6 mm Z140	400	200	250	200	350	0,60
108260	R RR 400 200 300 150 300 20 CGF 2 0,6 mm Z140	400	200	300	150	300	0,60
108261	R RR 400 200 300 200 300 20 CGF 2 0,6 mm Z140	400	200	300	200	300	0,60
108262	R RR 400 250 200 150 450 20 CGF 2 0,6 mm Z140	400	250	200	150	450	0,60
108263	R RR 400 250 200 200 450 20 CGF 2 0,6 mm Z140	400	250	200	200	450	0,60
108264	R RR 400 250 250 150 350 20 CGF 2 0,6 mm Z140	400	250	250	150	350	0,60
108265	R RR 400 250 250 200 350 20 CGF 2 0,6 mm Z140	400	250	250	200	350	0,60

Note

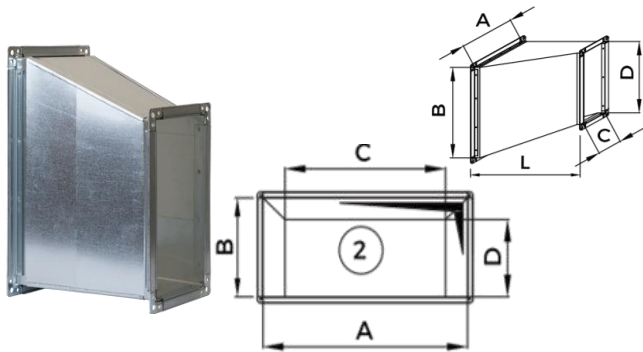
For the other sizes, please contact the commercial department.



RECTANGULAR VENTILATION DUCTS AND FITTINGS INTEGRAL FLANGE CGF

Rectangular reducers with integral flange CGF

Rectangular eccentric reducers Type 2 R RR



Product Code Model

Explanation:

R RR 400 250 250 250 350 20 CGF 2 0,6 mm Z140

- R RR** Type
- 400** A [mm]
- 250** B [mm]
- 250** C [mm]
- 250** D [mm]
- 350** L [mm]
- 20 CGF** Flange Class
- 2** Type 2
- 0,6 mm** Thickness δ [mm]

SKU	TYPE	A [mm]	B [mm]	C [mm]	D [mm]	L [mm]	Thickness δ [mm]
108266	R RR 400 250 250 250 350 20 CGF 2 0,6 mm Z140	400	250	250	250	350	0,60
108267	R RR 400 250 300 150 300 20 CGF 2 0,6 mm Z140	400	250	300	150	300	0,60
108268	R RR 400 250 300 200 300 20 CGF 2 0,6 mm Z140	400	250	300	200	300	0,60
108269	R RR 400 250 300 250 300 20 CGF 2 0,6 mm Z140	400	250	300	250	300	0,60
108270	R RR 400 250 400 200 200 20 CGF 2 0,6 mm Z140	400	250	400	200	200	0,60
108271	R RR 400 300 200 150 450 20 CGF 2 0,6 mm Z140	400	300	200	150	450	0,60
108272	R RR 400 300 200 200 450 20 CGF 2 0,6 mm Z140	400	300	200	200	450	0,60
108273	R RR 400 300 250 150 350 20 CGF 2 0,6 mm Z140	400	300	250	150	350	0,60
108274	R RR 400 300 250 200 350 20 CGF 2 0,6 mm Z140	400	300	250	200	350	0,60
108275	R RR 400 300 250 250 350 20 CGF 2 0,6 mm Z140	400	300	250	250	350	0,60
108276	R RR 400 300 300 150 350 20 CGF 2 0,6 mm Z140	400	300	300	150	350	0,60
108277	R RR 400 300 300 200 300 20 CGF 2 0,6 mm Z140	400	300	300	200	300	0,60
108278	R RR 400 300 300 250 300 20 CGF 2 0,6 mm Z140	400	300	300	250	300	0,60
108279	R RR 400 300 300 300 300 20 CGF 2 0,6 mm Z140	400	300	300	300	300	0,60
108280	R RR 400 300 400 200 300 20 CGF 2 0,6 mm Z140	400	300	400	200	300	0,60
108281	R RR 400 400 200 150 550 20 CGF 2 0,6 mm Z140	400	400	200	150	550	0,60
108282	R RR 400 400 200 200 450 20 CGF 2 0,6 mm Z140	400	400	200	200	450	0,60
108283	R RR 400 400 250 150 550 20 CGF 2 0,6 mm Z140	400	400	250	150	550	0,60
108284	R RR 400 400 250 200 450 20 CGF 2 0,6 mm Z140	400	400	250	200	450	0,60
108285	R RR 400 400 250 250 350 20 CGF 2 0,6 mm Z140	400	400	250	250	350	0,60
108286	R RR 400 400 300 150 550 20 CGF 2 0,6 mm Z140	400	400	300	150	550	0,60
108287	R RR 400 400 300 200 450 20 CGF 2 0,6 mm Z140	400	400	300	200	450	0,60
108288	R RR 400 400 300 250 350 20 CGF 2 0,6 mm Z140	400	400	300	250	350	0,60
108289	R RR 400 400 300 300 300 20 CGF 2 0,6 mm Z140	400	400	300	300	300	0,60
108290	R RR 400 400 400 200 450 20 CGF 2 0,6 mm Z140	400	400	400	200	450	0,60
108291	R RR 400 400 400 250 350 20 CGF 2 0,6 mm Z140	400	400	400	250	350	0,60
108292	R RR 400 400 400 300 300 20 CGF 2 0,6 mm Z140	400	400	400	300	300	0,60
108293	R RR 500 200 300 150 450 20 CGF 2 0,6 mm Z140	500	200	300	150	450	0,60
108294	R RR 500 200 300 200 450 20 CGF 2 0,6 mm Z140	500	200	300	200	450	0,60
108295	R RR 500 200 400 200 300 20 CGF 2 0,6 mm Z140	500	200	400	200	300	0,60
108296	R RR 500 250 300 150 450 20 CGF 2 0,6 mm Z140	500	250	300	150	450	0,60
108297	R RR 500 250 300 200 450 20 CGF 2 0,6 mm Z140	500	250	300	200	450	0,60
108298	R RR 500 250 300 250 450 20 CGF 2 0,6 mm Z140	500	250	300	250	450	0,60
108299	R RR 500 250 400 200 300 20 CGF 2 0,6 mm Z140	500	250	400	200	300	0,60
108300	R RR 500 250 400 250 300 20 CGF 2 0,6 mm Z140	500	250	400	250	300	0,60
108301	R RR 500 300 300 150 450 20 CGF 2 0,6 mm Z140	500	300	300	150	450	0,60

Note

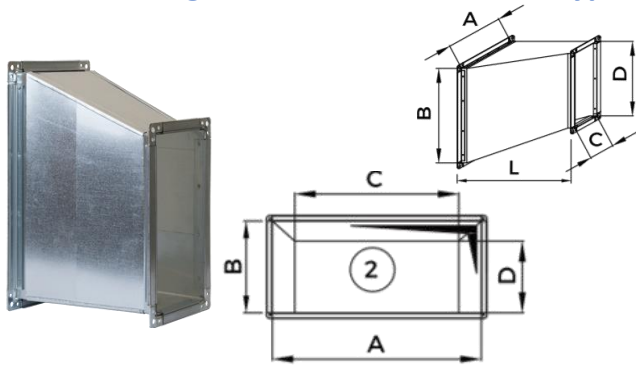
For the other sizes, please contact the commercial department.



RECTANGULAR VENTILATION DUCTS AND FITTINGS INTEGRAL FLANGE CGF

Rectangular reducers with integral flange CGF

Rectangular eccentric reducers Type 2 R RR



Product Code Model

Explanation:

R RR 500 300 300 200 450 20 CGF 2 0,6 mm Z140

- R RR** Type
- 500** A [mm]
- 300** B [mm]
- 300** C [mm]
- 200** D [mm]
- 450** L [mm]
- 20 CGF** Flange Class
- 2** Type 2
- 0,6 mm** Thickness δ [mm]

SKU	TYPE	A [mm]	B [mm]	C [mm]	D [mm]	L [mm]	Thickness δ [mm]
108302	R RR 500 300 300 200 450 20 CGF 2 0,6 mm Z140	500	300	300	200	450	0,60
108303	R RR 500 300 300 250 450 20 CGF 2 0,6 mm Z140	500	300	300	250	450	0,60
108304	R RR 500 300 300 300 450 20 CGF 2 0,6 mm Z140	500	300	300	300	450	0,60
108305	R RR 500 300 400 200 300 20 CGF 2 0,6 mm Z140	500	300	400	200	300	0,60
108306	R RR 500 300 400 250 300 20 CGF 2 0,6 mm Z140	500	300	400	250	300	0,60
108307	R RR 500 300 400 300 300 20 CGF 2 0,6 mm Z140	500	300	400	300	300	0,60
108308	R RR 500 300 500 250 200 20 CGF 2 0,6 mm Z140	500	300	500	250	200	0,60
108309	R RR 500 400 300 200 450 20 CGF 2 0,6 mm Z140	500	400	300	200	450	0,60
108310	R RR 500 400 400 200 450 20 CGF 2 0,6 mm Z140	500	400	400	200	450	0,60
108311	R RR 500 400 400 250 350 20 CGF 2 0,6 mm Z140	500	400	400	250	350	0,60
108312	R RR 500 400 400 300 300 20 CGF 2 0,6 mm Z140	500	400	400	300	300	0,60
108313	R RR 500 400 500 250 350 20 CGF 2 0,6 mm Z140	500	400	500	250	350	0,60

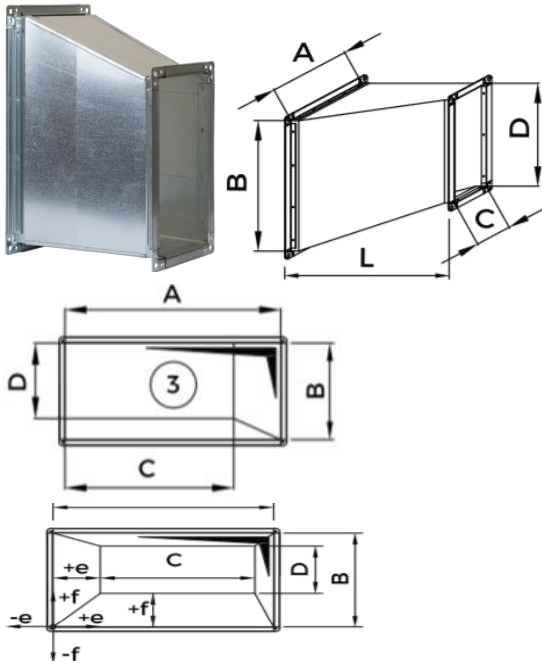
Note

For the other sizes, please contact the commercial department.

RECTANGULAR VENTILATION DUCTS AND FITTINGS INTEGRAL FLANGE CGF

Rectangular reducers with integral flange CGF

Rectangular eccentric reducers Type 3 R RR



Description:

The eccentric reducers are adapters designed for coupling two rectangular ducts of different sizes.

Used Material:

Galvanized steel DX51, Class Z140.

Note:

The thickness of the galvanized sheet varies depending on the fittings size.

Product Code Model

Explanation:

R RR 200 100 150 100 200 20 CGF 3 0,5 mm Z140

- R RR** Type
- 200** A [mm]
- 100** B [mm]
- 150** C [mm]
- 100** D [mm]
- 200** L [mm]
- 20 CGF** Flange Class
- 3** Type 3
- 0,5 mm** Thickness δ [mm]

SKU	TYPE	A [mm]	B [mm]	C [mm]	D [mm]	L [mm]	Thickness δ [mm]
108314	R RR 200 100 150 100 200 20 CGF 3 0,5 mm Z140	200	100	150	100	200	0,50
108315	R RR 200 150 150 100 200 20 CGF 3 0,5 mm Z140	200	150	150	100	200	0,50
108316	R RR 200 150 150 150 200 20 CGF 3 0,5 mm Z140	200	150	150	150	200	0,50
108317	R RR 200 200 150 100 300 20 CGF 3 0,5 mm Z140	200	200	150	100	300	0,50
108318	R RR 200 200 150 150 200 20 CGF 3 0,5 mm Z140	200	200	150	150	200	0,50
108319	R RR 200 200 200 150 200 20 CGF 3 0,5 mm Z140	200	200	200	150	200	0,50
108320	R RR 250 150 150 100 300 20 CGF 3 0,5 mm Z140	250	150	150	100	300	0,50
108321	R RR 250 150 150 150 300 20 CGF 3 0,5 mm Z140	250	150	150	150	300	0,50
108322	R RR 250 150 200 150 200 20 CGF 3 0,5 mm Z140	250	150	200	150	200	0,50
108323	R RR 250 200 150 100 300 20 CGF 3 0,5 mm Z140	250	200	150	100	300	0,50
108324	R RR 250 200 150 150 300 20 CGF 3 0,5 mm Z140	250	200	150	150	300	0,50
108325	R RR 250 200 200 150 200 20 CGF 3 0,5 mm Z140	250	200	200	150	200	0,50
108326	R RR 250 200 200 200 200 20 CGF 3 0,5 mm Z140	250	200	200	200	200	0,50
108327	R RR 250 250 150 100 350 20 CGF 3 0,5 mm Z140	250	250	150	100	350	0,50
108328	R RR 250 250 150 150 300 20 CGF 3 0,5 mm Z140	250	250	150	150	300	0,50
108329	R RR 250 250 200 150 300 20 CGF 3 0,5 mm Z140	250	250	200	150	300	0,50
108330	R RR 250 250 200 200 200 20 CGF 3 0,5 mm Z140	250	250	200	200	200	0,50
108331	R RR 250 250 250 150 300 20 CGF 3 0,5 mm Z140	250	250	250	150	300	0,50
108332	R RR 250 250 250 200 200 20 CGF 3 0,5 mm Z140	250	250	250	200	200	0,50
108333	R RR 300 150 150 100 350 20 CGF 3 0,6 mm Z140	300	150	150	100	350	0,60
108334	R RR 300 150 150 150 350 20 CGF 3 0,6 mm Z140	300	150	150	150	350	0,60
108335	R RR 300 150 200 150 300 20 CGF 3 0,6 mm Z140	300	150	200	150	300	0,60
108336	R RR 300 150 250 150 200 20 CGF 3 0,6 mm Z140	300	150	250	150	200	0,60
108337	R RR 300 200 150 100 350 20 CGF 3 0,6 mm Z140	300	200	150	100	350	0,60
108338	R RR 300 200 150 150 350 20 CGF 3 0,6 mm Z140	300	200	150	150	350	0,60
108339	R RR 300 200 200 100 300 20 CGF 3 0,6 mm Z140	300	200	200	100	300	0,60

Note

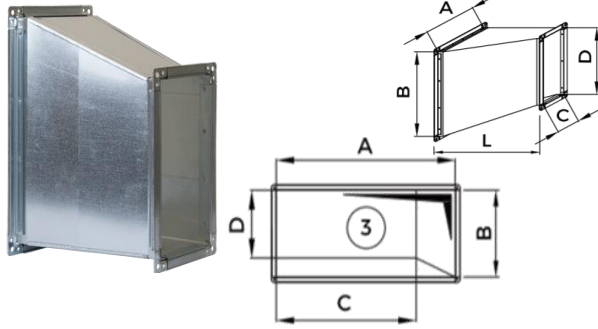
For the other sizes, please contact the commercial department.



RECTANGULAR VENTILATION DUCTS AND FITTINGS INTEGRAL FLANGE CGF

Rectangular reducers with integral flange CGF

Rectangular eccentric reducers Type 3 R RR



Product Code Model

Explanation:

R RR 300 200 200 150 300 20 CGF 3 0,6 mm Z140

- R RR** Type
- 300** A [mm]
- 200** B [mm]
- 200** C [mm]
- 150** D [mm]
- 300** L [mm]
- 20 CGF** Flange Class
- 3** Type 3
- 0,6 mm** Thickness δ [mm]

SKU	TYPE	A [mm]	B [mm]	C [mm]	D [mm]	L [mm]	Thickness δ [mm]
108340	R RR 300 200 200 150 300 20 CGF 3 0,6 mm Z140	300	200	200	150	300	0,60
108341	R RR 300 200 200 200 300 20 CGF 3 0,6 mm Z140	300	200	200	200	300	0,60
108342	R RR 300 200 250 150 200 20 CGF 3 0,6 mm Z140	300	200	250	150	200	0,60
108343	R RR 300 200 250 200 200 20 CGF 3 0,6 mm Z140	300	200	250	200	200	0,60
108344	R RR 300 200 300 150 200 20 CGF 3 0,6 mm Z140	300	200	300	150	200	0,60
108345	R RR 300 250 150 100 350 20 CGF 3 0,6 mm Z140	300	250	150	100	350	0,60
108346	R RR 300 250 150 150 350 20 CGF 3 0,6 mm Z140	300	250	150	150	350	0,60
108347	R RR 300 250 200 100 350 20 CGF 3 0,6 mm Z140	300	250	200	100	350	0,60
108348	R RR 300 250 200 150 300 20 CGF 3 0,6 mm Z140	300	250	200	150	300	0,60
108349	R RR 300 250 200 200 300 20 CGF 3 0,6 mm Z140	300	250	200	200	300	0,60
108350	R RR 300 250 250 150 300 20 CGF 3 0,6 mm Z140	300	250	250	150	300	0,60
108351	R RR 300 250 250 200 200 20 CGF 3 0,6 mm Z140	300	250	250	200	200	0,60
108352	R RR 300 250 250 250 200 20 CGF 3 0,6 mm Z140	300	250	250	250	200	0,60
108353	R RR 300 250 300 150 300 20 CGF 3 0,6 mm Z140	300	250	300	150	300	0,60
108354	R RR 300 250 300 200 200 20 CGF 3 0,6 mm Z140	300	250	300	200	200	0,60
108355	R RR 300 300 150 100 450 20 CGF 3 0,6 mm Z140	300	300	150	100	450	0,60
108356	R RR 300 300 150 150 350 20 CGF 3 0,6 mm Z140	300	300	150	150	350	0,60
108357	R RR 300 300 200 100 450 20 CGF 3 0,6 mm Z140	300	300	200	100	450	0,60
108358	R RR 300 300 200 150 350 20 CGF 3 0,6 mm Z140	300	300	200	150	350	0,60
108359	R RR 300 300 200 200 300 20 CGF 3 0,6 mm Z140	300	300	200	200	300	0,60
108360	R RR 300 300 250 150 350 20 CGF 3 0,6 mm Z140	300	300	250	150	350	0,60
108361	R RR 300 300 250 200 300 20 CGF 3 0,6 mm Z140	300	300	250	200	300	0,60
108362	R RR 300 300 250 250 200 20 CGF 3 0,6 mm Z140	300	300	250	250	200	0,60
108363	R RR 300 300 300 150 350 20 CGF 3 0,6 mm Z140	300	300	300	150	350	0,60
108364	R RR 300 300 300 200 300 20 CGF 3 0,6 mm Z140	300	300	300	200	300	0,60
108365	R RR 300 300 300 250 200 20 CGF 3 0,6 mm Z140	300	300	300	250	200	0,60
108366	R RR 400 200 200 150 450 20 CGF 3 0,6 mm Z140	400	200	200	150	450	0,60
108367	R RR 400 200 200 200 450 20 CGF 3 0,6 mm Z140	400	200	200	200	450	0,60
108368	R RR 400 200 250 150 350 20 CGF 3 0,6 mm Z140	400	200	250	150	350	0,60
108369	R RR 400 200 250 200 350 20 CGF 3 0,6 mm Z140	400	200	250	200	350	0,60
108370	R RR 400 200 300 150 300 20 CGF 3 0,6 mm Z140	400	200	300	150	300	0,60
108371	R RR 400 200 300 200 300 20 CGF 3 0,6 mm Z140	400	200	300	200	300	0,60
108372	R RR 400 250 200 150 450 20 CGF 3 0,6 mm Z140	400	250	200	150	450	0,60
108373	R RR 400 250 200 200 450 20 CGF 3 0,6 mm Z140	400	250	200	200	450	0,60
108374	R RR 400 250 250 150 350 20 CGF 3 0,6 mm Z140	400	250	250	150	350	0,60
108375	R RR 400 250 250 200 350 20 CGF 3 0,6 mm Z140	400	250	250	200	350	0,60

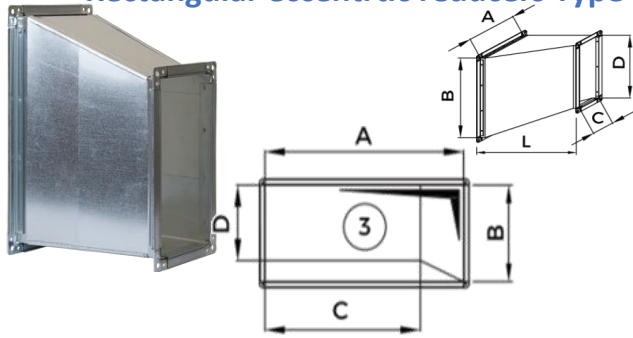
Note

For the other sizes, please contact the commercial department.

RECTANGULAR VENTILATION DUCTS AND FITTINGS INTEGRAL FLANGE CGF

Rectangular reducers with integral flange CGF

Rectangular eccentric reducers Type 3 R RR



Product Code Model

Explanation:

R RR 400 250 250 250 350 20 CGF 3 0,6 mm Z140

- R RR** Type
- 400** A [mm]
- 250** B [mm]
- 250** C [mm]
- 250** D [mm]
- 350** L [mm]
- 20 CGF** Flange Class
- 3** Type 3
- 0,6 mm** Thickness δ [mm]

SKU	TYPE	A [mm]	B [mm]	C [mm]	D [mm]	L [mm]	Thickness δ [mm]
108376	R RR 400 250 250 250 350 20 CGF 3 0,6 mm Z140	400	250	250	250	350	0,60
108377	R RR 400 250 300 150 300 20 CGF 3 0,6 mm Z140	400	250	300	150	300	0,60
108378	R RR 400 250 300 200 300 20 CGF 3 0,6 mm Z140	400	250	300	200	300	0,60
108379	R RR 400 250 300 250 300 20 CGF 3 0,6 mm Z140	400	250	300	250	300	0,60
108380	R RR 400 250 400 200 200 20 CGF 3 0,6 mm Z140	400	250	400	200	200	0,60
108381	R RR 400 300 200 150 450 20 CGF 3 0,6 mm Z140	400	300	200	150	450	0,60
108382	R RR 400 300 200 200 450 20 CGF 3 0,6 mm Z140	400	300	200	200	450	0,60
108383	R RR 400 300 250 150 350 20 CGF 3 0,6 mm Z140	400	300	250	150	350	0,60
108384	R RR 400 300 250 200 350 20 CGF 3 0,6 mm Z140	400	300	250	200	350	0,60
108385	R RR 400 300 250 250 350 20 CGF 3 0,6 mm Z140	400	300	250	250	350	0,60
108386	R RR 400 300 300 150 350 20 CGF 3 0,6 mm Z140	400	300	300	150	350	0,60
108387	R RR 400 300 300 200 300 20 CGF 3 0,6 mm Z140	400	300	300	200	300	0,60
108388	R RR 400 300 300 250 300 20 CGF 3 0,6 mm Z140	400	300	300	250	300	0,60
108389	R RR 400 300 300 300 300 20 CGF 3 0,6 mm Z140	400	300	300	300	300	0,60
108390	R RR 400 300 400 200 300 20 CGF 3 0,6 mm Z140	400	300	400	200	300	0,60
108391	R RR 400 400 200 150 550 20 CGF 3 0,6 mm Z140	400	400	200	150	550	0,60
108392	R RR 400 400 200 200 450 20 CGF 3 0,6 mm Z140	400	400	200	200	450	0,60
108393	R RR 400 400 250 150 550 20 CGF 3 0,6 mm Z140	400	400	250	150	550	0,60
108394	R RR 400 400 250 200 450 20 CGF 3 0,6 mm Z140	400	400	250	200	450	0,60
108395	R RR 400 400 250 250 350 20 CGF 3 0,6 mm Z140	400	400	250	250	350	0,60
108396	R RR 400 400 300 150 550 20 CGF 3 0,6 mm Z140	400	400	300	150	550	0,60
108397	R RR 400 400 300 200 450 20 CGF 3 0,6 mm Z140	400	400	300	200	450	0,60
108398	R RR 400 400 300 250 350 20 CGF 3 0,6 mm Z140	400	400	300	250	350	0,60
108399	R RR 400 400 300 300 300 20 CGF 3 0,6 mm Z140	400	400	300	300	300	0,60
108400	R RR 400 400 400 200 450 20 CGF 3 0,6 mm Z140	400	400	400	200	450	0,60
108401	R RR 400 400 400 250 350 20 CGF 3 0,6 mm Z140	400	400	400	250	350	0,60
108402	R RR 400 400 400 300 300 20 CGF 3 0,6 mm Z140	400	400	400	300	300	0,60
108403	R RR 500 200 300 150 450 20 CGF 3 0,6 mm Z140	500	200	300	150	450	0,60
108404	R RR 500 200 300 200 450 20 CGF 3 0,6 mm Z140	500	200	300	200	450	0,60
108405	R RR 500 200 400 200 300 20 CGF 3 0,6 mm Z140	500	200	400	200	300	0,60
108406	R RR 500 250 300 150 450 20 CGF 3 0,6 mm Z140	500	250	300	150	450	0,60
108407	R RR 500 250 300 200 450 20 CGF 3 0,6 mm Z140	500	250	300	200	450	0,60
108408	R RR 500 250 300 250 450 20 CGF 3 0,6 mm Z140	500	250	300	250	450	0,60
108409	R RR 500 250 400 200 300 20 CGF 3 0,6 mm Z140	500	250	400	200	300	0,60
108410	R RR 500 250 400 250 300 20 CGF 3 0,6 mm Z140	500	250	400	250	300	0,60
108411	R RR 500 300 300 150 450 20 CGF 3 0,6 mm Z140	500	300	300	150	450	0,60

Note

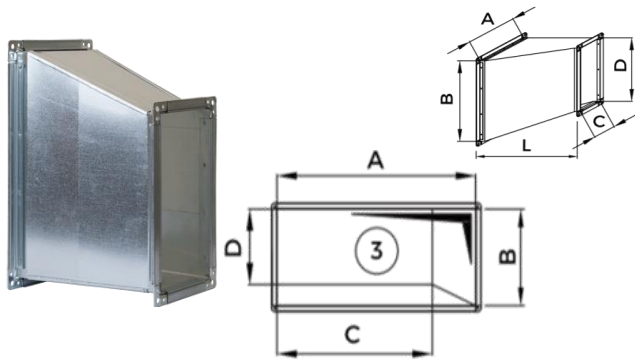
For the other sizes, please contact the commercial department.



RECTANGULAR VENTILATION DUCTS AND FITTINGS INTEGRAL FLANGE CGF

Rectangular reducers with integral flange CGF

Rectangular eccentric reducers Type 3 R RR



Product Code Model

Explanation:

R RR 500 300 300 200 450 20 CGF 3 0,6 mm Z140

- R RR** Type
- 500** A [mm]
- 300** B [mm]
- 300** C [mm]
- 200** D [mm]
- 450** L [mm]
- 20 CGF** Flange Class
- 3** Type 3
- 0,6 mm** Thickness δ [mm]

SKU	TYPE	A [mm]	B [mm]	C [mm]	D [mm]	L [mm]	Thickness δ [mm]
108412	R RR 500 300 300 200 450 20 CGF 3 0,6 mm Z140	500	300	300	200	450	0,60
108413	R RR 500 300 300 250 450 20 CGF 3 0,6 mm Z140	500	300	300	250	450	0,60
108414	R RR 500 300 300 300 450 20 CGF 3 0,6 mm Z140	500	300	300	300	450	0,60
108415	R RR 500 300 400 200 300 20 CGF 3 0,6 mm Z140	500	300	400	200	300	0,60
108416	R RR 500 300 400 250 300 20 CGF 3 0,6 mm Z140	500	300	400	250	300	0,60
108417	R RR 500 300 400 300 300 20 CGF 3 0,6 mm Z140	500	300	400	300	300	0,60
108418	R RR 500 300 500 250 200 20 CGF 3 0,6 mm Z140	500	300	500	250	200	0,60
108419	R RR 500 400 300 200 450 20 CGF 3 0,6 mm Z140	500	400	300	200	450	0,60
108420	R RR 500 400 400 200 450 20 CGF 3 0,6 mm Z140	500	400	400	200	450	0,60
108421	R RR 500 400 400 250 350 20 CGF 3 0,6 mm Z140	500	400	400	250	350	0,60
108422	R RR 500 400 400 300 300 20 CGF 3 0,6 mm Z140	500	400	400	300	300	0,60
108423	R RR 500 400 500 250 350 20 CGF 3 0,6 mm Z140	500	400	500	250	350	0,60

Note

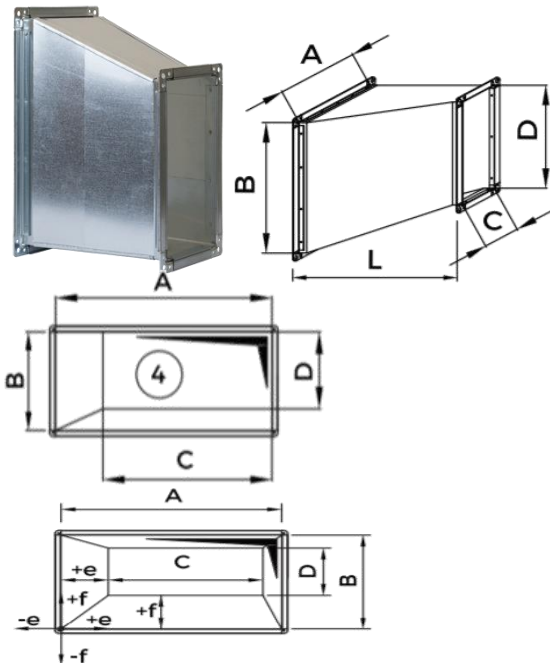
For the other sizes, please contact the commercial department.



RECTANGULAR VENTILATION DUCTS AND FITTINGS INTEGRAL FLANGE CGF

Rectangular reducers with integral flange CGF

Rectangular eccentric reducers Type 4 R RR



Description:

The eccentric reducers are adapters designed for coupling two rectangular ducts of different sizes.

Used Material:

Galvanized steel DX51, Class Z100.

Note:

The thickness of the galvanized sheet varies depending on the fittings size.

Product Code Model

Explanation:

R RR 200 100 150 100 200 20 CGF 4 0,5 mm Z140

- R RR** Type
- 200** A [mm]
- 100** B [mm]
- 150** C [mm]
- 100** D [mm]
- 200** L [mm]
- 20 CGF** Flange Class
- 4** Type 4
- 0,5 mm** Thickness δ [mm]

SKU	TYPE	A [mm]	B [mm]	C [mm]	D [mm]	L [mm]	Thickness δ [mm]
108424	R RR 200 100 150 100 200 20 CGF 4 0,5 mm Z140	200	100	150	100	200	0,50
108425	R RR 200 150 150 100 200 20 CGF 4 0,5 mm Z140	200	150	150	100	200	0,50
108426	R RR 200 150 150 150 200 20 CGF 4 0,5 mm Z140	200	150	150	150	200	0,50
108427	R RR 200 200 150 100 300 20 CGF 4 0,5 mm Z140	200	200	150	100	300	0,50
108428	R RR 200 200 150 150 200 20 CGF 4 0,5 mm Z140	200	200	150	150	200	0,50
108429	R RR 200 200 200 150 200 20 CGF 4 0,5 mm Z140	200	200	200	150	200	0,50
108430	R RR 250 150 150 100 300 20 CGF 4 0,5 mm Z140	250	150	150	100	300	0,50
108431	R RR 250 150 150 150 300 20 CGF 4 0,5 mm Z140	250	150	150	150	300	0,50
108432	R RR 250 150 200 150 200 20 CGF 4 0,5 mm Z140	250	150	200	150	200	0,50
108433	R RR 250 200 150 100 300 20 CGF 4 0,5 mm Z140	250	200	150	100	300	0,50
108434	R RR 250 200 150 150 300 20 CGF 4 0,5 mm Z140	250	200	150	150	300	0,50
108435	R RR 250 200 200 150 200 20 CGF 4 0,5 mm Z140	250	200	200	150	200	0,50
108436	R RR 250 200 200 200 200 20 CGF 4 0,5 mm Z140	250	200	200	200	200	0,50
108437	R RR 250 250 150 100 350 20 CGF 4 0,5 mm Z140	250	250	150	100	350	0,50
108438	R RR 250 250 150 150 300 20 CGF 4 0,5 mm Z140	250	250	150	150	300	0,50
108439	R RR 250 250 200 150 300 20 CGF 4 0,5 mm Z140	250	250	200	150	300	0,50
108440	R RR 250 250 200 200 200 20 CGF 4 0,5 mm Z140	250	250	200	200	200	0,50
108441	R RR 250 250 250 150 300 20 CGF 4 0,5 mm Z140	250	250	250	150	300	0,50
108442	R RR 250 250 250 200 200 20 CGF 4 0,5 mm Z140	250	250	250	200	200	0,50
108443	R RR 300 150 150 100 350 20 CGF 4 0,6 mm Z140	300	150	150	100	350	0,60
108444	R RR 300 150 150 150 350 20 CGF 4 0,6 mm Z140	300	150	150	150	350	0,60
108445	R RR 300 150 200 150 300 20 CGF 4 0,6 mm Z140	300	150	200	150	300	0,60
108446	R RR 300 150 250 150 200 20 CGF 4 0,6 mm Z140	300	150	250	150	200	0,60
108447	R RR 300 200 150 100 350 20 CGF 4 0,6 mm Z140	300	200	150	100	350	0,60
108448	R RR 300 200 150 150 350 20 CGF 4 0,6 mm Z140	300	200	150	150	350	0,60
108449	R RR 300 200 200 100 300 20 CGF 4 0,6 mm Z140	300	200	200	100	300	0,60

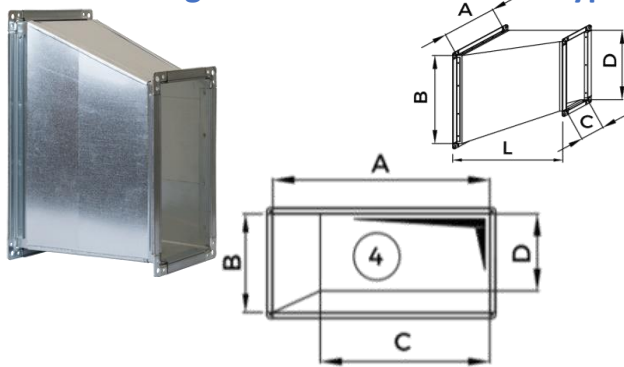
Note

For the other sizes, please contact the commercial department.

RECTANGULAR VENTILATION DUCTS AND FITTINGS INTEGRAL FLANGE CGF

Rectangular reducers with integral flange CGF

Rectangular eccentric reducers Type 4 R RR



Product Code Model

Explanation:

R RR 300 200 200 150 300 20 CGF 4 0,6 mm Z140

- R RR** Type
- 300** A [mm]
- 200** B [mm]
- 200** C [mm]
- 150** D [mm]
- 300** L [mm]
- 20 CGF** Flange Class
- 4** Type 4
- 0,6 mm** Thickness δ [mm]

SKU	TYPE	A [mm]	B [mm]	C [mm]	D [mm]	L [mm]	Thickness δ [mm]
108450	R RR 300 200 200 150 300 20 CGF 4 0,6 mm Z140	300	200	200	150	300	0,60
108451	R RR 300 200 200 200 300 20 CGF 4 0,6 mm Z140	300	200	200	200	300	0,60
108452	R RR 300 200 250 150 200 20 CGF 4 0,6 mm Z140	300	200	250	150	200	0,60
108453	R RR 300 200 250 200 200 20 CGF 4 0,6 mm Z140	300	200	250	200	200	0,60
108454	R RR 300 200 300 150 200 20 CGF 4 0,6 mm Z140	300	200	300	150	200	0,60
108455	R RR 300 250 150 100 350 20 CGF 4 0,6 mm Z140	300	250	150	100	350	0,60
108456	R RR 300 250 150 150 350 20 CGF 4 0,6 mm Z140	300	250	150	150	350	0,60
108457	R RR 300 250 200 100 350 20 CGF 4 0,6 mm Z140	300	250	200	100	350	0,60
108458	R RR 300 250 200 150 300 20 CGF 4 0,6 mm Z140	300	250	200	150	300	0,60
108459	R RR 300 250 200 200 300 20 CGF 4 0,6 mm Z140	300	250	200	200	300	0,60
108460	R RR 300 250 250 150 300 20 CGF 4 0,6 mm Z140	300	250	250	150	300	0,60
108461	R RR 300 250 250 200 200 20 CGF 4 0,6 mm Z140	300	250	250	200	200	0,60
108462	R RR 300 250 250 250 200 20 CGF 4 0,6 mm Z140	300	250	250	250	200	0,60
108463	R RR 300 250 300 150 300 20 CGF 4 0,6 mm Z140	300	250	300	150	300	0,60
108464	R RR 300 250 300 200 200 20 CGF 4 0,6 mm Z140	300	250	300	200	200	0,60
108465	R RR 300 300 150 100 450 20 CGF 4 0,6 mm Z140	300	300	150	100	450	0,60
108466	R RR 300 300 150 150 350 20 CGF 4 0,6 mm Z140	300	300	150	150	350	0,60
108467	R RR 300 300 200 100 450 20 CGF 4 0,6 mm Z140	300	300	200	100	450	0,60
108468	R RR 300 300 200 150 350 20 CGF 4 0,6 mm Z140	300	300	200	150	350	0,60
108469	R RR 300 300 200 200 300 20 CGF 4 0,6 mm Z140	300	300	200	200	300	0,60
108470	R RR 300 300 250 150 350 20 CGF 4 0,6 mm Z140	300	300	250	150	350	0,60
108471	R RR 300 300 250 200 300 20 CGF 4 0,6 mm Z140	300	300	250	200	300	0,60
108472	R RR 300 300 250 250 200 20 CGF 4 0,6 mm Z140	300	300	250	250	200	0,60
108473	R RR 300 300 300 150 350 20 CGF 4 0,6 mm Z140	300	300	300	150	350	0,60
108474	R RR 300 300 300 200 300 20 CGF 4 0,6 mm Z140	300	300	300	200	300	0,60
108475	R RR 300 300 300 250 200 20 CGF 4 0,6 mm Z140	300	300	300	250	200	0,60
108476	R RR 400 200 200 150 450 20 CGF 4 0,6 mm Z140	400	200	200	150	450	0,60
108477	R RR 400 200 200 200 450 20 CGF 4 0,6 mm Z140	400	200	200	200	450	0,60
108478	R RR 400 200 250 150 350 20 CGF 4 0,6 mm Z140	400	200	250	150	350	0,60
108479	R RR 400 200 250 200 350 20 CGF 4 0,6 mm Z140	400	200	250	200	350	0,60
108480	R RR 400 200 300 150 300 20 CGF 4 0,6 mm Z140	400	200	300	150	300	0,60
108481	R RR 400 200 300 200 300 20 CGF 4 0,6 mm Z140	400	200	300	200	300	0,60
108482	R RR 400 250 200 150 450 20 CGF 4 0,6 mm Z140	400	250	200	150	450	0,60
108483	R RR 400 250 200 200 450 20 CGF 4 0,6 mm Z140	400	250	200	200	450	0,60
108484	R RR 400 250 250 150 350 20 CGF 4 0,6 mm Z140	400	250	250	150	350	0,60
108485	R RR 400 250 250 200 350 20 CGF 4 0,6 mm Z140	400	250	250	200	350	0,60

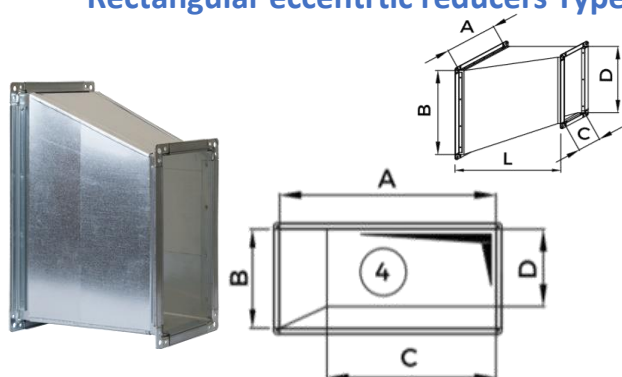
Note

For the other sizes, please contact the commercial department.

RECTANGULAR VENTILATION DUCTS AND FITTINGS INTEGRAL FLANGE CGF

Rectangular reducers with integral flange CGF

Rectangular eccentric reducers Type 4 R RR



Product Code Model

Explanation:

R RR 400 250 250 250 350 20 CGF 4 0,6 mm Z140

- R RR** Type
- 400** A [mm]
- 250** B [mm]
- 250** C [mm]
- 250** D [mm]
- 350** L [mm]
- 20 CGF** Flange Class
- 4** Type 4
- 0,6 mm** Thickness δ [mm]

SKU	TYPE	A [mm]	B [mm]	C [mm]	D [mm]	L [mm]	Thickness δ [mm]
108486	R RR 400 250 250 250 350 20 CGF 4 0,6 mm Z140	400	250	250	250	350	0,60
108487	R RR 400 250 300 150 300 20 CGF 4 0,6 mm Z140	400	250	300	150	300	0,60
108488	R RR 400 250 300 200 300 20 CGF 4 0,6 mm Z140	400	250	300	200	300	0,60
108489	R RR 400 250 300 250 300 20 CGF 4 0,6 mm Z140	400	250	300	250	300	0,60
108490	R RR 400 250 400 200 200 20 CGF 4 0,6 mm Z140	400	250	400	200	200	0,60
108491	R RR 400 300 200 150 450 20 CGF 4 0,6 mm Z140	400	300	200	150	450	0,60
108492	R RR 400 300 200 200 450 20 CGF 4 0,6 mm Z140	400	300	200	200	450	0,60
108493	R RR 400 300 250 150 350 20 CGF 4 0,6 mm Z140	400	300	250	150	350	0,60
108494	R RR 400 300 250 200 350 20 CGF 4 0,6 mm Z140	400	300	250	200	350	0,60
108495	R RR 400 300 250 250 350 20 CGF 4 0,6 mm Z140	400	300	250	250	350	0,60
108496	R RR 400 300 300 150 350 20 CGF 4 0,6 mm Z140	400	300	300	150	350	0,60
108497	R RR 400 300 300 200 300 20 CGF 4 0,6 mm Z140	400	300	300	200	300	0,60
108498	R RR 400 300 300 250 300 20 CGF 4 0,6 mm Z140	400	300	300	250	300	0,60
108499	R RR 400 300 300 300 300 20 CGF 4 0,6 mm Z140	400	300	300	300	300	0,60
108500	R RR 400 300 400 200 300 20 CGF 4 0,6 mm Z140	400	300	400	200	300	0,60
108501	R RR 400 400 200 150 550 20 CGF 4 0,6 mm Z140	400	400	200	150	550	0,60
108502	R RR 400 400 200 200 450 20 CGF 4 0,6 mm Z140	400	400	200	200	450	0,60
108503	R RR 400 400 250 150 550 20 CGF 4 0,6 mm Z140	400	400	250	150	550	0,60
108504	R RR 400 400 250 200 450 20 CGF 4 0,6 mm Z140	400	400	250	200	450	0,60
108505	R RR 400 400 250 250 350 20 CGF 4 0,6 mm Z140	400	400	250	250	350	0,60
108506	R RR 400 400 300 150 550 20 CGF 4 0,6 mm Z140	400	400	300	150	550	0,60
108507	R RR 400 400 300 200 450 20 CGF 4 0,6 mm Z140	400	400	300	200	450	0,60
108508	R RR 400 400 300 250 350 20 CGF 4 0,6 mm Z140	400	400	300	250	350	0,60
108509	R RR 400 400 300 300 300 20 CGF 4 0,6 mm Z140	400	400	300	300	300	0,60
108510	R RR 400 400 400 200 450 20 CGF 4 0,6 mm Z140	400	400	400	200	450	0,60
108511	R RR 400 400 400 250 350 20 CGF 4 0,6 mm Z140	400	400	400	250	350	0,60
108512	R RR 400 400 400 300 300 20 CGF 4 0,6 mm Z140	400	400	400	300	300	0,60
108513	R RR 500 200 300 150 450 20 CGF 4 0,6 mm Z140	500	200	300	150	450	0,60
108514	R RR 500 200 300 200 450 20 CGF 4 0,6 mm Z140	500	200	300	200	450	0,60
108515	R RR 500 200 400 200 300 20 CGF 4 0,6 mm Z140	500	200	400	200	300	0,60
108516	R RR 500 250 300 150 450 20 CGF 4 0,6 mm Z140	500	250	300	150	450	0,60
108517	R RR 500 250 300 200 450 20 CGF 4 0,6 mm Z140	500	250	300	200	450	0,60
108518	R RR 500 250 300 250 450 20 CGF 4 0,6 mm Z140	500	250	300	250	450	0,60
108519	R RR 500 250 400 200 300 20 CGF 4 0,6 mm Z140	500	250	400	200	300	0,60
108520	R RR 500 250 400 250 300 20 CGF 4 0,6 mm Z140	500	250	400	250	300	0,60
108521	R RR 500 300 300 150 450 20 CGF 4 0,6 mm Z140	500	300	300	150	450	0,60

Note

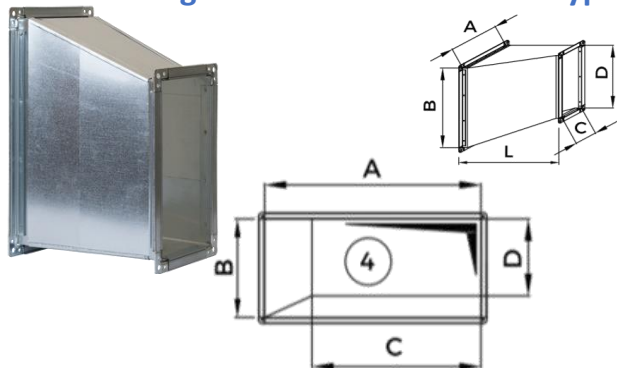
For the other sizes, please contact the commercial department.



RECTANGULAR VENTILATION DUCTS AND FITTINGS INTEGRAL FLANGE CGF

Rectangular reducers with integral flange CGF

Rectangular eccentric reducers Type 4 R RR



Product Code Model

Explanation:

R RR 500 300 300 200 450 20 CGF 4 0,6 mm Z140

- R RR** Type
- 500** A [mm]
- 300** B [mm]
- 300** C [mm]
- 200** D [mm]
- 450** L [mm]
- 20 CGF** Flange Class
- 4** Type 4
- 0,6 mm** Thickness δ [mm]

SKU	TYPE	A [mm]	B [mm]	C [mm]	D [mm]	L [mm]	Thickness δ [mm]
108522	R RR 500 300 300 200 450 20 CGF 4 0,6 mm Z140	500	300	300	200	450	0,60
108523	R RR 500 300 300 250 450 20 CGF 4 0,6 mm Z140	500	300	300	250	450	0,60
108524	R RR 500 300 300 300 450 20 CGF 4 0,6 mm Z140	500	300	300	300	450	0,60
108525	R RR 500 300 400 200 300 20 CGF 4 0,6 mm Z140	500	300	400	200	300	0,60
108526	R RR 500 300 400 250 300 20 CGF 4 0,6 mm Z140	500	300	400	250	300	0,60
108527	R RR 500 300 400 300 300 20 CGF 4 0,6 mm Z140	500	300	400	300	300	0,60
108528	R RR 500 300 500 250 200 20 CGF 4 0,6 mm Z140	500	300	500	250	200	0,60
108529	R RR 500 400 300 200 450 20 CGF 4 0,6 mm Z140	500	400	300	200	450	0,60
108530	R RR 500 400 400 200 450 20 CGF 4 0,6 mm Z140	500	400	400	200	450	0,60
108531	R RR 500 400 400 250 350 20 CGF 4 0,6 mm Z140	500	400	400	250	350	0,60
108532	R RR 500 400 400 300 300 20 CGF 4 0,6 mm Z140	500	400	400	300	300	0,60
108533	R RR 500 400 500 250 350 20 CGF 4 0,6 mm Z140	500	400	500	250	350	0,60

Note

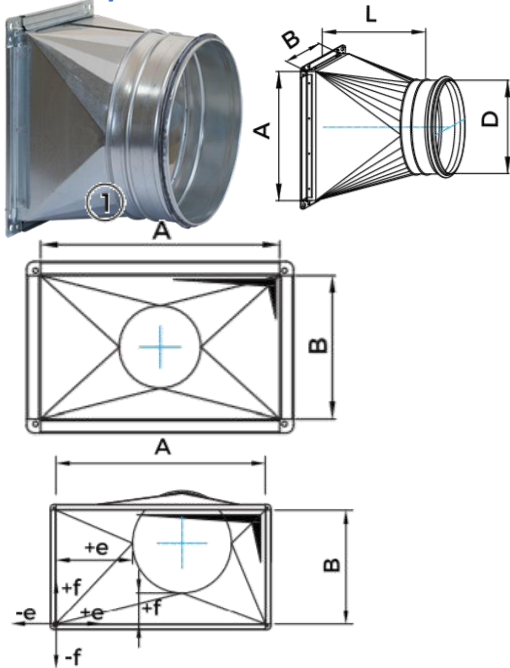
For the other sizes, please contact the commercial department.



RECTANGULAR VENTILATION DUCTS AND FITTINGS INTEGRAL FLANGE CGF

Square-to-round transition with integral flange CGF

Square-to-round transitions Type 1 R TRRC



Description:

This transition piece changes the ductwork shape from square to round. This fitting helps in routing round and rectangular ducts with the centrelines aligned.

Used Material:

Galvanized steel DX51, Class Z140.

Note:

The thickness of the galvanized sheet varies depending on the fittings size.

Product Code Model

Explanation:

R TRRC 150 150 100 125 20 CGF 1 0,5 mm Z140

R TRRC Type	125 D diameter [mm]
150 A [mm]	20 CGF Flange Class
150 B [mm]	1 Type 1
100 L [mm]	0,5 mm Thickness δ [mm]

SKU	TYPE	A [mm]	B [mm]	D [mm]	L [mm]	Thickness δ [mm]		
108534	R TRRC 150 150 100 125 20 CGF 1 0,5 mm Z140	150	150	125	100	0,50		
108535	R TRRC 200 150 150 125 20 CGF 1 0,5 mm Z140	200	150	125	150	0,50		
108536	R TRRC 200 200 150 125 20 CGF 1 0,5 mm Z140	200	200	125	150	0,50		
108537	R TRRC 200 200 100 160 20 CGF 1 0,5 mm Z140	200	200	160	100	0,50		
108538	R TRRC 200 200 100 200 20 CGF 1 0,5 mm Z140	200	200	200	100	0,50		
108539	R TRRC 250 150 250 125 20 CGF 1 0,5 mm Z140	250	150	125	250	0,50		
108540	R TRRC 250 200 250 125 20 CGF 1 0,5 mm Z140	250	200	125	250	0,50		
108541	R TRRC 250 200 150 160 20 CGF 1 0,5 mm Z140	250	200	160	150	0,50		
108542	R TRRC 250 200 100 200 20 CGF 1 0,5 mm Z140	250	200	200	100	0,50		
108543	R TRRC 250 250 250 125 20 CGF 1 0,5 mm Z140	250	250	125	250	0,50		
108544	R TRRC 250 250 150 160 20 CGF 1 0,5 mm Z140	250	250	160	150	0,50		
108545	R TRRC 250 250 100 200 20 CGF 1 0,5 mm Z140	250	250	200	100	0,50		
108546	R TRRC 250 250 100 250 20 CGF 1 0,5 mm Z140	250	250	250	100	0,50		
108547	R TRRC 300 150 300 125 20 CGF 1 0,6 mm Z140	300	150	125	300	0,60		
108548	R TRRC 300 200 300 125 20 CGF 1 0,6 mm Z140	300	200	125	300	0,60		
108549	R TRRC 300 200 250 160 20 CGF 1 0,6 mm Z140	300	200	160	250	0,60		
108550	R TRRC 300 200 200 200 20 CGF 1 0,6 mm Z140	300	200	200	200	0,60		
108551	R TRRC 300 250 300 125 20 CGF 1 0,6 mm Z140	300	250	125	300	0,60		
108552	R TRRC 300 250 250 160 20 CGF 1 0,6 mm Z140	300	250	160	250	0,60		
108553	R TRRC 300 250 200 200 20 CGF 1 0,6 mm Z140	300	250	200	200	0,60		
108554	R TRRC 300 250 100 250 20 CGF 1 0,6 mm Z140	300	250	250	100	0,60		
108555	R TRRC 300 300 250 160 20 CGF 1 0,6 mm Z140	300	300	160	250	0,60		
108556	R TRRC 300 300 200 200 20 CGF 1 0,6 mm Z140	300	300	200	200	0,60		
108557	R TRRC 300 300 100 250 20 CGF 1 0,6 mm Z140	300	300	250	100	0,60		
108558	R TRRC 300 300 100 300 20 CGF 1 0,6 mm Z140	300	300	300	100	0,60		
108559	R TRRC 400 200 450 160 20 CGF 1 0,6 mm Z140	400	200	160	450	0,60		

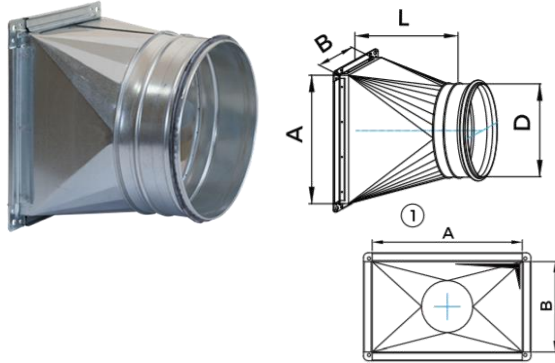
Note

For the other sizes, please contact the commercial department.

RECTANGULAR VENTILATION DUCTS AND FITTINGS INTEGRAL FLANGE CGF

Square-to-round transition with integral flange CGF

Square-to-round transitions Type 1 R TRRC



Product Code Model

Explanation:

R TRRC 400 200 250 200 20 CGF 1 0,6 mm Z140

R TRRC Type **200** D diameter [mm]
400 A [mm] **20 CGF** Flange Class
200 B [mm] **1** Type 1
250 L [mm] **0,6 mm** Thickness δ [mm]

SKU	TYPE	A [mm]	B [mm]	D [mm]	L [mm]	Thickness δ [mm]		
108560	R TRRC 400 200 250 200 20 CGF 1 0,6 mm Z140	400	200	200	250	0,60		
108561	R TRRC 400 250 450 160 20 CGF 1 0,6 mm Z140	400	250	160	450	0,60		
108562	R TRRC 400 250 350 200 20 CGF 1 0,6 mm Z140	400	250	200	350	0,60		
108563	R TRRC 400 250 300 250 20 CGF 1 0,6 mm Z140	400	250	250	300	0,60		
108564	R TRRC 400 300 450 160 20 CGF 1 0,6 mm Z140	400	300	160	450	0,60		
108565	R TRRC 400 300 350 200 20 CGF 1 0,6 mm Z140	400	300	200	350	0,60		
108566	R TRRC 400 300 300 250 20 CGF 1 0,6 mm Z140	400	300	250	300	0,60		
108567	R TRRC 400 300 200 300 20 CGF 1 0,6 mm Z140	400	300	300	200	0,60		
108568	R TRRC 400 400 450 160 20 CGF 1 0,6 mm Z140	400	400	160	450	0,60		
108569	R TRRC 400 400 350 200 20 CGF 1 0,6 mm Z140	400	400	200	350	0,60		
108570	R TRRC 400 400 300 250 20 CGF 1 0,6 mm Z140	400	400	250	300	0,60		
108571	R TRRC 400 400 200 300 20 CGF 1 0,6 mm Z140	400	400	300	200	0,60		
108572	R TRRC 400 400 150 315 20 CGF 1 0,6 mm Z140	400	400	315	150	0,60		
108573	R TRRC 400 400 100 400 20 CGF 1 0,6 mm Z140	400	400	400	100	0,60		
108574	R TRRC 500 200 600 160 20 CGF 1 0,6 mm Z140	500	200	160	600	0,60		
108575	R TRRC 500 200 550 200 20 CGF 1 0,6 mm Z140	500	200	200	550	0,60		
108576	R TRRC 500 250 600 160 20 CGF 1 0,6 mm Z140	500	250	160	600	0,60		
108577	R TRRC 500 250 550 200 20 CGF 1 0,6 mm Z140	500	250	200	550	0,60		
108578	R TRRC 500 250 450 250 20 CGF 1 0,6 mm Z140	500	250	250	450	0,60		
108579	R TRRC 500 300 600 160 20 CGF 1 0,6 mm Z140	500	300	160	600	0,60		
108580	R TRRC 500 300 550 200 20 CGF 1 0,6 mm Z140	500	300	200	550	0,60		
108581	R TRRC 500 300 450 250 20 CGF 1 0,6 mm Z140	500	300	250	450	0,60		
108582	R TRRC 500 300 350 300 20 CGF 1 0,6 mm Z140	500	300	300	350	0,60		
108583	R TRRC 500 400 550 200 20 CGF 1 0,6 mm Z140	500	400	200	550	0,60		
108584	R TRRC 500 400 450 250 20 CGF 1 0,6 mm Z140	500	400	250	450	0,60		
108585	R TRRC 500 400 350 300 20 CGF 1 0,6 mm Z140	500	400	300	350	0,60		
108586	R TRRC 500 400 350 315 20 CGF 1 0,6 mm Z140	500	400	315	350	0,60		
108587	R TRRC 500 400 200 400 20 CGF 1 0,6 mm Z140	500	400	400	200	0,60		
108588	R TRRC 500 500 550 200 20 CGF 1 0,6 mm Z140	500	500	200	550	0,60		
108589	R TRRC 500 500 450 250 20 CGF 1 0,6 mm Z140	500	500	250	450	0,60		
108590	R TRRC 500 500 350 300 20 CGF 1 0,6 mm Z140	500	500	300	350	0,60		
108591	R TRRC 500 500 350 315 20 CGF 1 0,6 mm Z140	500	500	315	350	0,60		
108592	R TRRC 500 500 200 400 20 CGF 1 0,6 mm Z140	500	500	400	200	0,60		
108593	R TRRC 500 500 100 500 20 CGF 1 0,6 mm Z140	500	500	500	100	0,60		

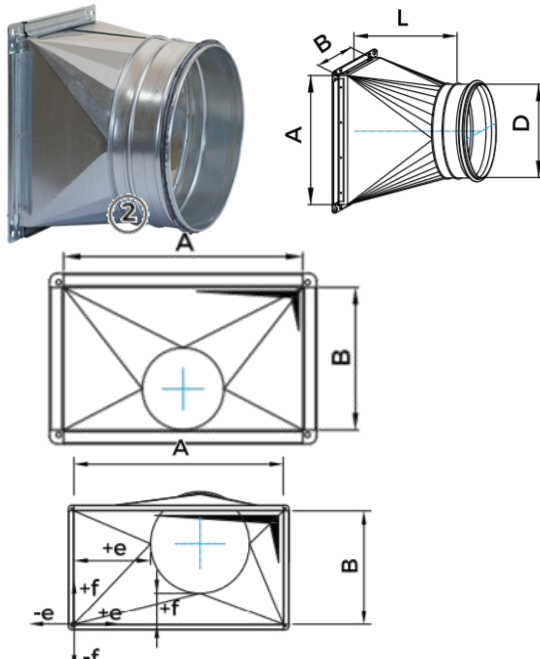
Note

For the other sizes, please contact the commercial department.

RECTANGULAR VENTILATION DUCTS AND FITTINGS INTEGRAL FLANGE CGF

Square-to-round transition with integral flange CGF

Square-to-round transitions Type 2 R TRRC



Description:

This transition piece changes the ductwork shape from square to round. This fitting helps in routing round and rectangular ducts with the centrelines aligned.

Used Material:

Galvanized steel DX51, Class Z100.

Note:

The thickness of the galvanized sheet varies depending on the fittings size.

Product Code Model

Explanation:

R TRRC 150 150 100 125 20 CGF 2 0,5 mm Z140

- R TRRC** Type
- 150** A [mm]
- 150** B [mm]
- 100** L [mm]
- 125** D diameter [mm]
- 20 CGF** Flange Class
- 2** Type 2
- 0,5 mm** Thickness δ [mm]

SKU	TYPE	A [mm]	B [mm]	D [mm]	L [mm]	Thickness δ [mm]		
108594	R TRRC 150 150 100 125 20 CGF 2 0,5 mm Z140	150	150	125	100	0,50		
108595	R TRRC 200 150 150 125 20 CGF 2 0,5 mm Z140	200	150	125	150	0,50		
108596	R TRRC 200 200 150 125 20 CGF 2 0,5 mm Z140	200	200	125	150	0,50		
108597	R TRRC 200 200 100 160 20 CGF 2 0,5 mm Z140	200	200	160	100	0,50		
108598	R TRRC 200 200 100 200 20 CGF 2 0,5 mm Z140	200	200	200	100	0,50		
108599	R TRRC 250 150 250 125 20 CGF 2 0,5 mm Z140	250	150	125	250	0,50		
108600	R TRRC 250 200 250 125 20 CGF 2 0,5 mm Z140	250	200	125	250	0,50		
108601	R TRRC 250 200 150 160 20 CGF 2 0,5 mm Z140	250	200	160	150	0,50		
108602	R TRRC 250 200 100 200 20 CGF 2 0,5 mm Z140	250	200	200	100	0,50		
108603	R TRRC 250 250 250 125 20 CGF 2 0,5 mm Z140	250	250	125	250	0,50		
108604	R TRRC 250 250 150 160 20 CGF 2 0,5 mm Z140	250	250	160	150	0,50		
108605	R TRRC 250 250 100 200 20 CGF 2 0,5 mm Z140	250	250	200	100	0,50		
108606	R TRRC 250 250 100 250 20 CGF 2 0,5 mm Z140	250	250	250	100	0,50		
108607	R TRRC 300 150 300 125 20 CGF 2 0,6 mm Z140	300	150	125	300	0,60		
108608	R TRRC 300 200 300 125 20 CGF 2 0,6 mm Z140	300	200	125	300	0,60		
108609	R TRRC 300 200 250 160 20 CGF 2 0,6 mm Z140	300	200	160	250	0,60		
108610	R TRRC 300 200 200 200 20 CGF 2 0,6 mm Z140	300	200	200	200	0,60		
108611	R TRRC 300 250 300 125 20 CGF 2 0,6 mm Z140	300	250	125	300	0,60		
108612	R TRRC 300 250 250 160 20 CGF 2 0,6 mm Z140	300	250	160	250	0,60		
108613	R TRRC 300 250 200 200 20 CGF 2 0,6 mm Z140	300	250	200	200	0,60		
108614	R TRRC 300 250 100 250 20 CGF 2 0,6 mm Z140	300	250	250	100	0,60		
108615	R TRRC 300 300 250 160 20 CGF 2 0,6 mm Z140	300	300	160	250	0,60		
108616	R TRRC 300 300 200 200 20 CGF 2 0,6 mm Z140	300	300	200	200	0,60		
108617	R TRRC 300 300 100 250 20 CGF 2 0,6 mm Z140	300	300	250	100	0,60		
108618	R TRRC 300 300 100 300 20 CGF 2 0,6 mm Z140	300	300	300	100	0,60		
108619	R TRRC 400 200 450 160 20 CGF 2 0,6 mm Z140	400	200	160	450	0,60		

Note

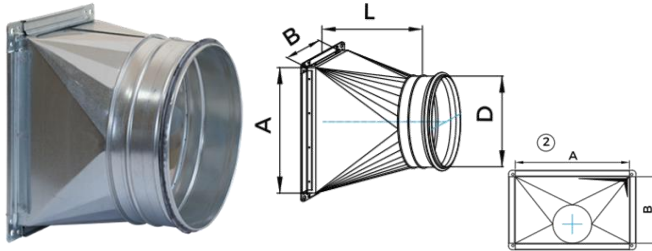
For the other sizes, please contact the commercial department.



RECTANGULAR VENTILATION DUCTS AND FITTINGS INTEGRAL FLANGE CGF

Square-to-round transition with integral flange CGF

Square-to-round transitions Type 2 R TRRC



Product Code Model

Explanation:

R TRRC 400 200 250 200 20 CGF 2 0,6 mm Z140

R TRRC Type

200 D diameter [mm]

400 A [mm]

20 CGF Flange Class

200 B [mm]

2 Type 2

250 L [mm]

0,6 mm Thickness δ [mm]

SKU	TYPE	A [mm]	B [mm]	D [mm]	L [mm]	Thickness δ [mm]		
108620	R TRRC 400 200 250 200 20 CGF 2 0,6 mm Z140	400	200	200	250	0,60		
108621	R TRRC 400 250 450 160 20 CGF 2 0,6 mm Z140	400	250	160	450	0,60		
108622	R TRRC 400 250 350 200 20 CGF 2 0,6 mm Z140	400	250	200	350	0,60		
108623	R TRRC 400 250 300 250 20 CGF 2 0,6 mm Z140	400	250	250	300	0,60		
108624	R TRRC 400 300 450 160 20 CGF 2 0,6 mm Z140	400	300	160	450	0,60		
108625	R TRRC 400 300 350 200 20 CGF 2 0,6 mm Z140	400	300	200	350	0,60		
108626	R TRRC 400 300 300 250 20 CGF 2 0,6 mm Z140	400	300	250	300	0,60		
108627	R TRRC 400 300 200 300 20 CGF 2 0,6 mm Z140	400	300	300	200	0,60		
108628	R TRRC 400 400 450 160 20 CGF 2 0,6 mm Z140	400	400	160	450	0,60		
108629	R TRRC 400 400 350 200 20 CGF 2 0,6 mm Z140	400	400	200	350	0,60		
108630	R TRRC 400 400 300 250 20 CGF 2 0,6 mm Z140	400	400	250	300	0,60		
108631	R TRRC 400 400 200 300 20 CGF 2 0,6 mm Z140	400	400	300	200	0,60		
108632	R TRRC 400 400 150 315 20 CGF 2 0,6 mm Z140	400	400	315	150	0,60		
108633	R TRRC 400 400 100 400 20 CGF 2 0,6 mm Z140	400	400	400	100	0,60		
108634	R TRRC 500 200 600 160 20 CGF 2 0,6 mm Z140	500	200	160	600	0,60		
108635	R TRRC 500 200 550 200 20 CGF 2 0,6 mm Z140	500	200	200	550	0,60		
108636	R TRRC 500 250 600 160 20 CGF 2 0,6 mm Z140	500	250	160	600	0,60		
108637	R TRRC 500 250 550 200 20 CGF 2 0,6 mm Z140	500	250	200	550	0,60		
108638	R TRRC 500 250 450 250 20 CGF 2 0,6 mm Z140	500	250	250	450	0,60		
108639	R TRRC 500 300 600 160 20 CGF 2 0,6 mm Z140	500	300	160	600	0,60		
108640	R TRRC 500 300 550 200 20 CGF 2 0,6 mm Z140	500	300	200	550	0,60		
108641	R TRRC 500 300 450 250 20 CGF 2 0,6 mm Z140	500	300	250	450	0,60		
108642	R TRRC 500 300 350 300 20 CGF 2 0,6 mm Z140	500	300	300	350	0,60		
108643	R TRRC 500 400 550 200 20 CGF 2 0,6 mm Z140	500	400	200	550	0,60		
108644	R TRRC 500 400 450 250 20 CGF 2 0,6 mm Z140	500	400	250	450	0,60		
108645	R TRRC 500 400 350 300 20 CGF 2 0,6 mm Z140	500	400	300	350	0,60		
108646	R TRRC 500 400 350 315 20 CGF 2 0,6 mm Z140	500	400	315	350	0,60		
108647	R TRRC 500 400 200 400 20 CGF 2 0,6 mm Z140	500	400	400	200	0,60		
108648	R TRRC 500 500 550 200 20 CGF 2 0,6 mm Z140	500	500	200	550	0,60		
108649	R TRRC 500 500 450 250 20 CGF 2 0,6 mm Z140	500	500	250	450	0,60		
108650	R TRRC 500 500 350 300 20 CGF 2 0,6 mm Z140	500	500	300	350	0,60		
108651	R TRRC 500 500 350 315 20 CGF 2 0,6 mm Z140	500	500	315	350	0,60		
108652	R TRRC 500 500 200 400 20 CGF 2 0,6 mm Z140	500	500	400	200	0,60		
108653	R TRRC 500 500 100 500 20 CGF 2 0,6 mm Z140	500	500	500	100	0,60		

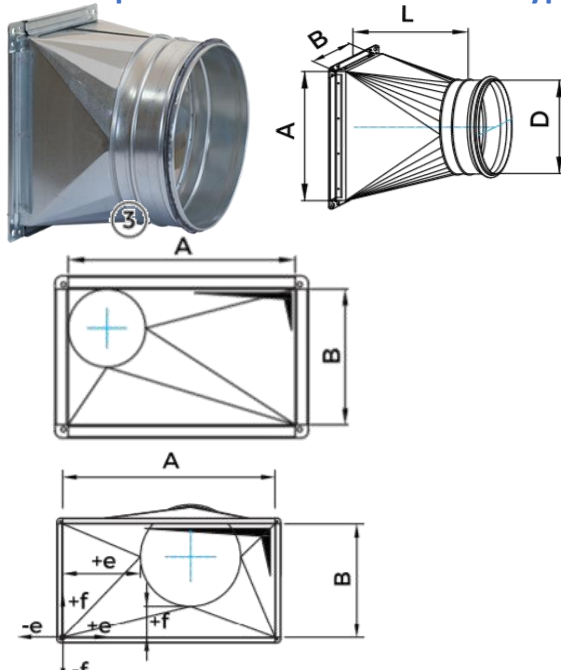
Note

For the other sizes, please contact the commercial department.

RECTANGULAR VENTILATION DUCTS AND FITTINGS INTEGRAL FLANGE CGF

Square-to-round transition with integral flange CGF

Square-to-round transitions Type 3 R TRRC



Description:

This transition piece changes the ductwork shape from square to round. This fitting helps in routing round and rectangular ducts with the centrelines aligned.

Used Material:

Galvanized steel DX51, Class Z100.

Note:

The thickness of the galvanized sheet varies depending on the fittings size.

Product Code Model

Explanation:

R TRRC 150 150 100 125 20 CGF 3 0,5 mm Z140

- R TRRC** Type
- 150** A [mm]
- 150** B [mm]
- 100** L [mm]
- 125** D diameter [mm]
- 20 CGF** Flange Class
- 3** Type 3
- 0,5 mm** Thickness δ [mm]

SKU	TYPE	A [mm]	B [mm]	D diameter [mm]	L [mm]	Thickness δ [mm]		
108654	R TRRC 150 150 100 125 20 CGF 3 0,5 mm Z140	150	150	125	100	0,50		
108655	R TRRC 200 150 150 125 20 CGF 3 0,5 mm Z140	200	150	125	150	0,50		
108656	R TRRC 200 200 150 125 20 CGF 3 0,5 mm Z140	200	200	125	150	0,50		
108657	R TRRC 200 200 100 160 20 CGF 3 0,5 mm Z140	200	200	160	100	0,50		
108658	R TRRC 200 200 100 200 20 CGF 3 0,5 mm Z140	200	200	200	100	0,50		
108659	R TRRC 250 150 250 125 20 CGF 3 0,5 mm Z140	250	150	125	250	0,50		
108660	R TRRC 250 200 250 125 20 CGF 3 0,5 mm Z140	250	200	125	250	0,50		
108661	R TRRC 250 200 150 160 20 CGF 3 0,5 mm Z140	250	200	160	150	0,50		
108662	R TRRC 250 200 100 200 20 CGF 3 0,5 mm Z140	250	200	200	100	0,50		
108663	R TRRC 250 250 250 125 20 CGF 3 0,5 mm Z140	250	250	125	250	0,50		
108664	R TRRC 250 250 150 160 20 CGF 3 0,5 mm Z140	250	250	160	150	0,50		
108665	R TRRC 250 250 100 200 20 CGF 3 0,5 mm Z140	250	250	200	100	0,50		
108666	R TRRC 250 250 100 250 20 CGF 3 0,5 mm Z140	250	250	250	100	0,50		
108667	R TRRC 300 150 300 125 20 CGF 3 0,6 mm Z140	300	150	125	300	0,60		
108668	R TRRC 300 200 300 125 20 CGF 3 0,6 mm Z140	300	200	125	300	0,60		
108669	R TRRC 300 200 250 160 20 CGF 3 0,6 mm Z140	300	200	160	250	0,60		
108670	R TRRC 300 200 200 200 20 CGF 3 0,6 mm Z140	300	200	200	200	0,60		
108671	R TRRC 300 250 300 125 20 CGF 3 0,6 mm Z140	300	250	125	300	0,60		
108672	R TRRC 300 250 250 160 20 CGF 3 0,6 mm Z140	300	250	160	250	0,60		
108673	R TRRC 300 250 200 200 20 CGF 3 0,6 mm Z140	300	250	200	200	0,60		
108674	R TRRC 300 250 100 250 20 CGF 3 0,6 mm Z140	300	250	250	100	0,60		
108675	R TRRC 300 300 250 160 20 CGF 3 0,6 mm Z140	300	300	160	250	0,60		
108676	R TRRC 300 300 200 200 20 CGF 3 0,6 mm Z140	300	300	200	200	0,60		
108677	R TRRC 300 300 100 250 20 CGF 3 0,6 mm Z140	300	300	250	100	0,60		
108678	R TRRC 300 300 100 300 20 CGF 3 0,6 mm Z140	300	300	300	100	0,60		
108679	R TRRC 400 200 450 160 20 CGF 3 0,6 mm Z140	400	200	160	450	0,60		

Note

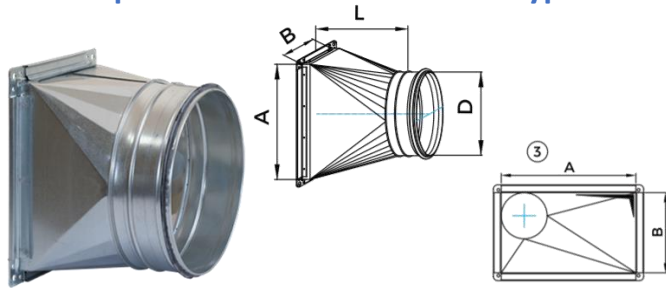
For the other sizes, please contact the commercial department.



RECTANGULAR VENTILATION DUCTS AND FITTINGS INTEGRAL FLANGE CGF

Square-to-round transition with integral flange CGF

Square-to-round transitions Type 3 R TRRC



Product Code Model

Explanation:

R TRRC 400 200 250 200 20 CGF 3 0,6 mm Z140

R TRRC Type

200 D diameter [mm]

400 A [mm]

20 CGF Flange Class

200 B [mm]

3 Type 3

250 L [mm]

0,6 mm Thickness δ [mm]

SKU	TYPE	A [mm]	B [mm]	D diameter [mm]	L [mm]	Thickness δ [mm]		
108680	R TRRC 400 200 250 200 20 CGF 3 0,6 mm Z140	400	200	200	250	0,60		
108681	R TRRC 400 250 450 160 20 CGF 3 0,6 mm Z140	400	250	160	450	0,60		
108682	R TRRC 400 250 350 200 20 CGF 3 0,6 mm Z140	400	250	200	350	0,60		
108683	R TRRC 400 250 300 250 20 CGF 3 0,6 mm Z140	400	250	250	300	0,60		
108684	R TRRC 400 300 450 160 20 CGF 3 0,6 mm Z140	400	300	160	450	0,60		
108685	R TRRC 400 300 350 200 20 CGF 3 0,6 mm Z140	400	300	200	350	0,60		
108686	R TRRC 400 300 300 250 20 CGF 3 0,6 mm Z140	400	300	250	300	0,60		
108687	R TRRC 400 300 200 300 20 CGF 3 0,6 mm Z140	400	300	300	200	0,60		
108688	R TRRC 400 400 450 160 20 CGF 3 0,6 mm Z140	400	400	160	450	0,60		
108689	R TRRC 400 400 350 200 20 CGF 3 0,6 mm Z140	400	400	200	350	0,60		
108690	R TRRC 400 400 300 250 20 CGF 3 0,6 mm Z140	400	400	250	300	0,60		
108691	R TRRC 400 400 200 300 20 CGF 3 0,6 mm Z140	400	400	300	200	0,60		
108692	R TRRC 400 400 150 315 20 CGF 3 0,6 mm Z140	400	400	315	150	0,60		
108693	R TRRC 400 400 100 400 20 CGF 3 0,6 mm Z140	400	400	400	100	0,60		
108694	R TRRC 500 200 600 160 20 CGF 3 0,6 mm Z140	500	200	160	600	0,60		
108695	R TRRC 500 200 550 200 20 CGF 3 0,6 mm Z140	500	200	200	550	0,60		
108696	R TRRC 500 250 600 160 20 CGF 3 0,6 mm Z140	500	250	160	600	0,60		
108697	R TRRC 500 250 550 200 20 CGF 3 0,6 mm Z140	500	250	200	550	0,60		
108698	R TRRC 500 250 450 250 20 CGF 3 0,6 mm Z140	500	250	250	450	0,60		
108699	R TRRC 500 300 600 160 20 CGF 3 0,6 mm Z140	500	300	160	600	0,60		
108700	R TRRC 500 300 550 200 20 CGF 3 0,6 mm Z140	500	300	200	550	0,60		
108701	R TRRC 500 300 450 250 20 CGF 3 0,6 mm Z140	500	300	250	450	0,60		
108702	R TRRC 500 300 350 300 20 CGF 3 0,6 mm Z140	500	300	300	350	0,60		
108703	R TRRC 500 400 550 200 20 CGF 3 0,6 mm Z140	500	400	200	550	0,60		
108704	R TRRC 500 400 450 250 20 CGF 3 0,6 mm Z140	500	400	250	450	0,60		
108705	R TRRC 500 400 350 300 20 CGF 3 0,6 mm Z140	500	400	300	350	0,60		
108706	R TRRC 500 400 350 315 20 CGF 3 0,6 mm Z140	500	400	315	350	0,60		
108707	R TRRC 500 400 200 400 20 CGF 3 0,6 mm Z140	500	400	400	200	0,60		
108708	R TRRC 500 500 550 200 20 CGF 3 0,6 mm Z140	500	500	200	550	0,60		
108709	R TRRC 500 500 450 250 20 CGF 3 0,6 mm Z140	500	500	250	450	0,60		
108710	R TRRC 500 500 350 300 20 CGF 3 0,6 mm Z140	500	500	300	350	0,60		
108711	R TRRC 500 500 350 315 20 CGF 3 0,6 mm Z140	500	500	315	350	0,60		
108712	R TRRC 500 500 200 400 20 CGF 3 0,6 mm Z140	500	500	400	200	0,60		
108713	R TRRC 500 500 100 500 20 CGF 3 0,6 mm Z140	500	500	500	100	0,60		

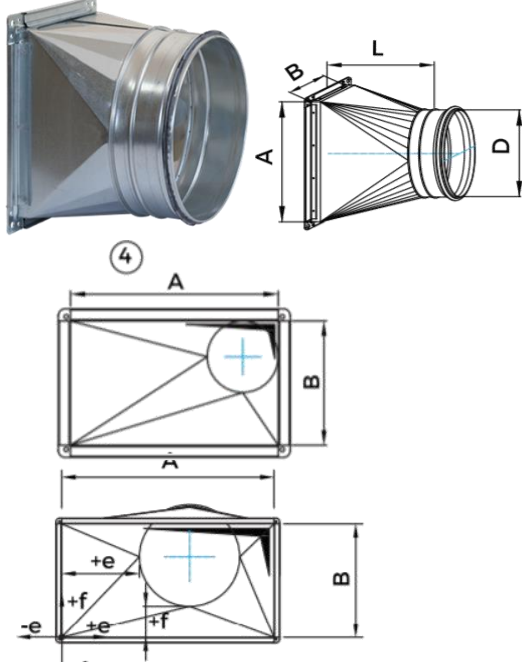
Note

For the other sizes, please contact the commercial department.

RECTANGULAR VENTILATION DUCTS AND FITTINGS INTEGRAL FLANGE CGF

Square-to-round transition with integral flange CGF

Square-to-round transitions Type 4 R TRRC



Description:

This transition piece changes the ductwork shape from square to round. This fitting helps in routing round and rectangular ducts with the centrelines aligned.

Used Material:

Galvanized steel DX51, Class Z100.

Note:

The thickness of the galvanized sheet varies depending on the fittings size.

Product Code Model

Explanation:

R TRRC 150 150 100 125 20 CGF 4 0,5 mm Z140

R TRRC Type	125 D diameter [mm]
150 A [mm]	20 CGF Flange Class
150 B [mm]	4 Type 4
100 L [mm]	0,5 mm Thickness δ [mm]

SKU	TYPE	A [mm]	B [mm]	D diameter [mm]	L [mm]	Thickness δ [mm]		
108714	R TRRC 150 150 100 125 20 CGF 4 0,5 mm Z140	150	150	125	100	0,50		
108715	R TRRC 200 150 150 125 20 CGF 4 0,5 mm Z140	200	150	125	150	0,50		
108716	R TRRC 200 200 150 125 20 CGF 4 0,5 mm Z140	200	200	125	150	0,50		
108717	R TRRC 200 200 100 160 20 CGF 4 0,5 mm Z140	200	200	160	100	0,50		
108718	R TRRC 200 200 100 200 20 CGF 4 0,5 mm Z140	200	200	200	100	0,50		
108719	R TRRC 250 150 250 125 20 CGF 4 0,5 mm Z140	250	150	125	250	0,50		
108720	R TRRC 250 200 250 125 20 CGF 4 0,5 mm Z140	250	200	125	250	0,50		
108721	R TRRC 250 200 150 160 20 CGF 4 0,5 mm Z140	250	200	160	150	0,50		
108722	R TRRC 250 200 100 200 20 CGF 4 0,5 mm Z140	250	200	200	100	0,50		
108723	R TRRC 250 250 250 125 20 CGF 4 0,5 mm Z140	250	250	125	250	0,50		
108724	R TRRC 250 250 150 160 20 CGF 4 0,5 mm Z140	250	250	160	150	0,50		
108725	R TRRC 250 250 100 200 20 CGF 4 0,5 mm Z140	250	250	200	100	0,50		
108726	R TRRC 250 250 100 250 20 CGF 4 0,5 mm Z140	250	250	250	100	0,50		
108727	R TRRC 300 150 300 125 20 CGF 4 0,6 mm Z140	300	150	125	300	0,60		
108728	R TRRC 300 200 300 125 20 CGF 4 0,6 mm Z140	300	200	125	300	0,60		
108729	R TRRC 300 200 250 160 20 CGF 4 0,6 mm Z140	300	200	160	250	0,60		
108730	R TRRC 300 200 200 200 20 CGF 4 0,6 mm Z140	300	200	200	200	0,60		
108731	R TRRC 300 250 300 125 20 CGF 4 0,6 mm Z140	300	250	125	300	0,60		
108732	R TRRC 300 250 250 160 20 CGF 4 0,6 mm Z140	300	250	160	250	0,60		
108733	R TRRC 300 250 200 200 20 CGF 4 0,6 mm Z140	300	250	200	200	0,60		
108734	R TRRC 300 250 100 250 20 CGF 4 0,6 mm Z140	300	250	250	100	0,60		
108735	R TRRC 300 300 250 160 20 CGF 4 0,6 mm Z140	300	300	160	250	0,60		
108736	R TRRC 300 300 200 200 20 CGF 4 0,6 mm Z140	300	300	200	200	0,60		
108737	R TRRC 300 300 100 250 20 CGF 4 0,6 mm Z140	300	300	250	100	0,60		
108738	R TRRC 300 300 100 300 20 CGF 4 0,6 mm Z140	300	300	300	100	0,60		
108739	R TRRC 400 200 450 160 20 CGF 4 0,6 mm Z140	400	200	160	450	0,60		

Note

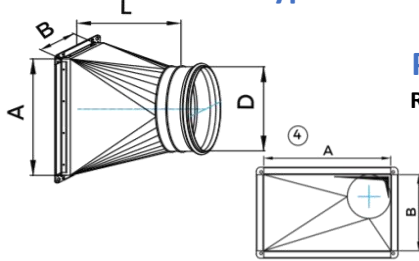
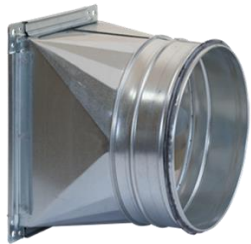
For the other sizes, please contact the commercial department.



RECTANGULAR VENTILATION DUCTS AND FITTINGS INTEGRAL FLANGE CGF

Square-to-round transition with integral flange CGF

Square-to-round transitions Type 4 R TRRC



Product Code Model

Explanation:

R TRRC 400 200 250 200 20 CGF 4 0,6 mm Z140

R TRRC Type

200 D diameter [mm]

400 A [mm]

20 CGF Flange Class

200 B [mm]

4 Type 4

250 L [mm]

0,6 mm Thickness δ [mm]

SKU	TYPE	A [mm]	B [mm]	D diameter [mm]	L [mm]	Thickness δ [mm]		
108740	R TRRC 400 200 250 200 20 CGF 4 0,6 mm Z140	400	200	200	250	0,60		
108741	R TRRC 400 250 450 160 20 CGF 4 0,6 mm Z140	400	250	160	450	0,60		
108742	R TRRC 400 250 350 200 20 CGF 4 0,6 mm Z140	400	250	200	350	0,60		
108743	R TRRC 400 250 300 250 20 CGF 4 0,6 mm Z140	400	250	250	300	0,60		
108744	R TRRC 400 300 450 160 20 CGF 4 0,6 mm Z140	400	300	160	450	0,60		
108745	R TRRC 400 300 350 200 20 CGF 4 0,6 mm Z140	400	300	200	350	0,60		
108746	R TRRC 400 300 300 250 20 CGF 4 0,6 mm Z140	400	300	250	300	0,60		
108747	R TRRC 400 300 200 300 20 CGF 4 0,6 mm Z140	400	300	300	200	0,60		
108748	R TRRC 400 400 450 160 20 CGF 4 0,6 mm Z140	400	400	160	450	0,60		
108749	R TRRC 400 400 350 200 20 CGF 4 0,6 mm Z140	400	400	200	350	0,60		
108750	R TRRC 400 400 300 250 20 CGF 4 0,6 mm Z140	400	400	250	300	0,60		
108751	R TRRC 400 400 200 300 20 CGF 4 0,6 mm Z140	400	400	300	200	0,60		
108752	R TRRC 400 400 150 315 20 CGF 4 0,6 mm Z140	400	400	315	150	0,60		
108753	R TRRC 400 400 100 400 20 CGF 4 0,6 mm Z140	400	400	400	100	0,60		
108754	R TRRC 500 200 600 160 20 CGF 4 0,6 mm Z140	500	200	160	600	0,60		
108755	R TRRC 500 200 550 200 20 CGF 4 0,6 mm Z140	500	200	200	550	0,60		
108756	R TRRC 500 250 600 160 20 CGF 4 0,6 mm Z140	500	250	160	600	0,60		
108757	R TRRC 500 250 550 200 20 CGF 4 0,6 mm Z140	500	250	200	550	0,60		
108758	R TRRC 500 250 450 250 20 CGF 4 0,6 mm Z140	500	250	250	450	0,60		
108759	R TRRC 500 300 600 160 20 CGF 4 0,6 mm Z140	500	300	160	600	0,60		
108760	R TRRC 500 300 550 200 20 CGF 4 0,6 mm Z140	500	300	200	550	0,60		
108761	R TRRC 500 300 450 250 20 CGF 4 0,6 mm Z140	500	300	250	450	0,60		
108762	R TRRC 500 300 350 300 20 CGF 4 0,6 mm Z140	500	300	300	350	0,60		
108763	R TRRC 500 400 550 200 20 CGF 4 0,6 mm Z140	500	400	200	550	0,60		
108764	R TRRC 500 400 450 250 20 CGF 4 0,6 mm Z140	500	400	250	450	0,60		
108765	R TRRC 500 400 350 300 20 CGF 4 0,6 mm Z140	500	400	300	350	0,60		
108766	R TRRC 500 400 350 315 20 CGF 4 0,6 mm Z140	500	400	315	350	0,60		
108767	R TRRC 500 400 200 400 20 CGF 4 0,6 mm Z140	500	400	400	200	0,60		
108768	R TRRC 500 500 550 200 20 CGF 4 0,6 mm Z140	500	500	200	550	0,60		
108769	R TRRC 500 500 450 250 20 CGF 4 0,6 mm Z140	500	500	250	450	0,60		
108770	R TRRC 500 500 350 300 20 CGF 4 0,6 mm Z140	500	500	300	350	0,60		
108771	R TRRC 500 500 350 315 20 CGF 4 0,6 mm Z140	500	500	315	350	0,60		
108772	R TRRC 500 500 200 400 20 CGF 4 0,6 mm Z140	500	500	400	200	0,60		
108773	R TRRC 500 500 100 500 20 CGF 4 0,6 mm Z140	500	500	500	100	0,60		

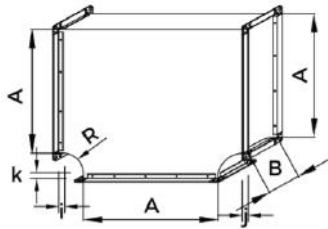
Note

For the other sizes, please contact the commercial department.

RECTANGULAR VENTILATION DUCTS AND FITTINGS INTEGRAL FLANGE CGF

Rectangular T-pieces and crossing T-pieces with integral flange CGF

Equal T-pieces R TERE



Description:

The Type T connection is used for making the derivations with an inclination of 90°

Used Material:

Galvanized steel DX51, Class Z140.

Note:

The thickness of the galvanized sheet varies depending on the fittings size.

Product Code Model

Explanation:

R TERE 150 150 100 30 30 30 20 CGF 0,5 mm Z140

R TERE Type	30 Extension I, J, K [mm]
150 A [mm]	20 CGF Flange Class
150 B [mm]	0,5 mm Thickness δ [mm]
100 R [mm]	

SKU	TYPE	A [mm]	B [mm]	R [mm]	Extension I, J, K [mm]	Thickness δ [mm]		
109014	R TERE 150 100 100 30 30 30 20 CGF 0,5 mm Z140	150	100	100	30	0,50		
109015	R TERE 150 150 100 30 30 30 20 CGF 0,5 mm Z140	150	150	100	30	0,50		
109016	R TERE 200 100 100 30 30 30 20 CGF 0,5 mm Z140	200	100	100	30	0,50		
109017	R TERE 200 150 100 30 30 30 20 CGF 0,5 mm Z140	200	150	100	30	0,50		
109018	R TERE 200 200 100 30 30 30 20 CGF 0,5 mm Z140	200	200	100	30	0,50		
109019	R TERE 250 150 100 30 30 30 20 CGF 0,5 mm Z140	250	150	100	30	0,50		
109020	R TERE 250 200 100 30 30 30 20 CGF 0,5 mm Z140	250	200	100	30	0,50		
109021	R TERE 250 250 100 30 30 30 20 CGF 0,5 mm Z140	250	250	100	30	0,50		
109022	R TERE 300 150 100 30 30 30 20 CGF 0,6 mm Z140	300	150	100	30	0,60		
109023	R TERE 300 200 100 30 30 30 20 CGF 0,6 mm Z140	300	200	100	30	0,60		
109024	R TERE 300 250 100 30 30 30 20 CGF 0,6 mm Z140	300	250	100	30	0,60		
109025	R TERE 300 300 100 30 30 30 20 CGF 0,6 mm Z140	300	300	100	30	0,60		
109026	R TERE 400 200 100 30 30 30 20 CGF 0,6 mm Z140	400	200	100	30	0,60		
109027	R TERE 400 250 100 30 30 30 20 CGF 0,6 mm Z140	400	250	100	30	0,60		
109028	R TERE 400 300 100 30 30 30 20 CGF 0,6 mm Z140	400	300	100	30	0,60		
109029	R TERE 400 400 100 30 30 30 20 CGF 0,6 mm Z140	400	400	100	30	0,60		
109030	R TERE 500 200 100 30 30 30 20 CGF 0,6 mm Z140	500	200	100	30	0,60		
109031	R TERE 500 250 100 30 30 30 20 CGF 0,6 mm Z140	500	250	100	30	0,60		
109032	R TERE 500 300 100 30 30 30 20 CGF 0,6 mm Z140	500	300	100	30	0,60		
109033	R TERE 500 350 100 30 30 30 20 CGF 0,6 mm Z140	500	350	100	30	0,60		
109034	R TERE 500 400 100 30 30 30 20 CGF 0,6 mm Z140	500	400	100	30	0,60		
109035	R TERE 500 500 100 30 30 30 20 CGF 0,6 mm Z140	500	500	100	30	0,60		
109036	R TERE 600 200 100 30 30 30 20 CGF 0,6 mm Z140	600	200	100	30	0,60		
109037	R TERE 600 250 100 30 30 30 20 CGF 0,6 mm Z140	600	250	100	30	0,60		
109038	R TERE 600 300 100 30 30 30 20 CGF 0,6 mm Z140	600	300	100	30	0,60		
109039	R TERE 600 400 100 30 30 30 20 CGF 0,6 mm Z140	600	400	100	30	0,60		

Note

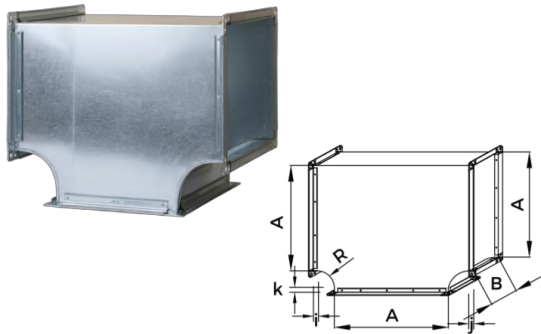
For the other sizes, please contact the commercial department.



RECTANGULAR VENTILATION DUCTS AND FITTINGS INTEGRAL FLANGE CGF

Rectangular T-pieces and crossing T-pieces with integral flange CGF

Equal T-pieces R TERE



Product Code Model

Explanation:

R TERE 600 500 100 30 30 30 20 CGF 0,6 mm Z140

R TERE Type

30 Extension I, J, K [mm]

600 A [mm]

20 CGF Flange Class

500 B [mm]

0,6 mm Thickness δ [mm]

100 R [mm]

SKU	TYPE	A [mm]	B [mm]	R [mm]	Extension I, J, K [mm]	Thickness δ [mm]		
109040	R TERE 600 500 100 30 30 30 20 CGF 0,6 mm Z140	600	500	100	30	0,60		
109041	R TERE 600 600 100 30 30 30 20 CGF 0,7 mm Z140	600	600	100	30	0,70		
109042	R TERE 700 300 100 30 30 30 20 CGF 0,7 mm Z140	700	300	100	30	0,70		
109043	R TERE 700 350 100 30 30 30 20 CGF 0,7 mm Z140	700	350	100	30	0,70		
109044	R TERE 700 400 100 30 30 30 20 CGF 0,7 mm Z140	700	400	100	30	0,70		
109045	R TERE 700 500 100 30 30 30 20 CGF 0,7 mm Z140	700	500	100	30	0,70		
109046	R TERE 700 600 100 30 30 30 20 CGF 0,7 mm Z140	700	600	100	30	0,70		
109047	R TERE 700 700 100 30 30 30 20 CGF 0,7 mm Z140	700	700	100	30	0,70		
109048	R TERE 800 300 100 30 30 30 20 CGF 0,7 mm Z140	800	300	100	30	0,70		
109049	R TERE 800 350 100 30 30 30 20 CGF 0,7 mm Z140	800	350	100	30	0,70		
109050	R TERE 800 400 100 30 30 30 20 CGF 0,7 mm Z140	800	400	100	30	0,70		
109051	R TERE 800 500 100 30 30 30 20 CGF 0,8 mm Z140	800	500	100	30	0,80		
109052	R TERE 800 600 100 30 30 30 20 CGF 0,8 mm Z140	800	600	100	30	0,80		
109053	R TERE 800 700 100 30 30 30 20 CGF 0,8 mm Z140	800	700	100	30	0,80		
109054	R TERE 800 800 100 30 30 30 20 CGF 0,8 mm Z140	800	800	100	30	0,80		
109055	R TERE 900 300 100 30 30 30 20 CGF 0,8 mm Z140	900	300	100	30	0,80		
109056	R TERE 900 350 100 30 30 30 20 CGF 0,8 mm Z140	900	350	100	30	0,80		
109057	R TERE 900 400 100 30 30 30 20 CGF 0,8 mm Z140	900	400	100	30	0,80		
109058	R TERE 900 500 100 30 30 30 20 CGF 0,8 mm Z140	900	500	100	30	0,80		
109059	R TERE 900 600 100 30 30 30 20 CGF 0,8 mm Z140	900	600	100	30	0,80		
109060	R TERE 900 700 100 30 30 30 20 CGF 0,8 mm Z140	900	700	100	30	0,80		
109061	R TERE 900 800 100 30 30 30 20 CGF 0,8 mm Z140	900	800	100	30	0,80		
109062	R TERE 900 900 100 30 30 30 20 CGF 0,8 mm Z140	900	900	100	30	0,80		
109063	R TERE 1000 350 100 30 30 30 20 CGF 0,8 mm Z140	1000	350	100	30	0,80		
109064	R TERE 1000 400 100 30 30 30 20 CGF 0,8 mm Z140	1000	400	100	30	0,80		
109065	R TERE 1000 500 100 30 30 30 30 CGF 1 mm Z140	1000	500	100	30	1,00		
109066	R TERE 1000 600 100 30 30 30 30 CGF 1 mm Z140	1000	600	100	30	1,00		
109067	R TERE 1000 700 100 30 30 30 30 CGF 1 mm Z140	1000	700	100	30	1,00		
109068	R TERE 1000 800 100 30 30 30 30 CGF 1 mm Z140	1000	800	100	30	1,00		
109069	R TERE 1000 900 100 30 30 30 30 CGF 1 mm Z140	1000	900	100	30	1,00		
109070	R TERE 1000 1000 100 30 30 30 30 CGF 1 mm Z140	1000	1000	100	30	1,00		

Note

For the other sizes, please contact the commercial department.



RECTANGULAR VENTILATION DUCTS AND FITTINGS INTEGRAL FLANGE CGF

Rectangular T-pieces and crossing T-pieces with integral flange CGF

Reducing T-pieces R TERR

Description:

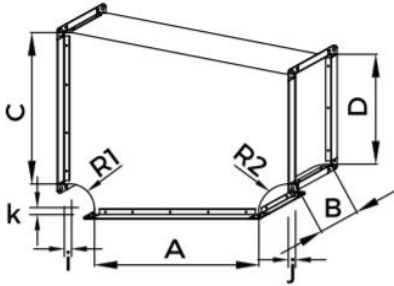
The Type T connection is used for making the derivations with an inclination of 90°

Used Material:

Galvanized steel DX51, Class Z140.

Note:

The thickness of the galvanized sheet varies depending on the fittings size.



Product Code Model

Explanation:

R TERR 150 150 150 100 100 100 30 30 30 20 CGF 0,5 mm Z140

R TERR Type

100 R1, R2 [mm]

150 A [mm]

30 Extension I, J, K [mm]

150 B [mm]

20 CGF Flange Class

150 C [mm]

0,5 mm Thickness δ [mm]

100 D [mm]

SKU	TYPE	A [mm]	B [mm]	C [mm]	D [mm]	Extension I, J, K [mm]	Thickness δ [mm]
109071	R TERR 150 150 150 100 100 100 30 30 30 20 CGF 0,5 m	150	150	150	100	30	0,50
109072	R TERR 200 100 200 150 100 100 30 30 30 20 CGF 0,5 m	200	100	200	150	30	0,50
109073	R TERR 200 150 200 100 100 100 30 30 30 20 CGF 0,5 m	200	150	200	100	30	0,50
109074	R TERR 200 150 200 150 100 100 30 30 30 20 CGF 0,5 m	200	150	200	150	30	0,50
109075	R TERR 200 200 200 150 100 100 30 30 30 20 CGF 0,5 m	200	200	200	150	30	0,50
109076	R TERR 250 150 250 150 100 100 30 30 30 20 CGF 0,5 m	250	150	250	150	30	0,50
109077	R TERR 250 150 250 200 100 100 30 30 30 20 CGF 0,5 m	250	150	250	200	30	0,50
109078	R TERR 250 200 250 150 100 100 30 30 30 20 CGF 0,5 m	250	200	250	150	30	0,50
109079	R TERR 250 200 250 200 100 100 30 30 30 20 CGF 0,5 m	250	200	250	200	30	0,50
109080	R TERR 250 250 250 150 100 100 30 30 30 20 CGF 0,5 m	250	250	250	150	30	0,50
109081	R TERR 250 250 250 200 100 100 30 30 30 20 CGF 0,5 m	250	250	250	200	30	0,50
109082	R TERR 300 150 300 150 100 100 30 30 30 20 CGF 0,6 m	300	150	300	150	30	0,60
109083	R TERR 300 150 300 200 100 100 30 30 30 20 CGF 0,6 m	300	150	300	200	30	0,60
109084	R TERR 300 150 300 250 100 100 30 30 30 20 CGF 0,6 m	300	150	300	250	30	0,60
109085	R TERR 300 200 300 150 100 100 30 30 30 20 CGF 0,6 m	300	200	300	150	30	0,60
109086	R TERR 300 200 300 200 100 100 30 30 30 20 CGF 0,6 m	300	200	300	200	30	0,60
109087	R TERR 300 200 300 250 100 100 30 30 30 20 CGF 0,6 m	300	200	300	250	30	0,60
109088	R TERR 300 250 300 150 100 100 30 30 30 20 CGF 0,6 m	300	250	300	150	30	0,60
109089	R TERR 300 250 300 200 100 100 30 30 30 20 CGF 0,6 m	300	250	300	200	30	0,60
109090	R TERR 300 250 300 250 100 100 30 30 30 20 CGF 0,6 m	300	250	300	250	30	0,60
109091	R TERR 300 300 300 150 100 100 30 30 30 20 CGF 0,6 m	300	300	300	150	30	0,60
109092	R TERR 300 300 300 200 100 100 30 30 30 20 CGF 0,6 m	300	300	300	200	30	0,60
109093	R TERR 300 300 300 250 100 100 30 30 30 20 CGF 0,6 m	300	300	300	250	30	0,60
109094	R TERR 400 200 400 150 100 100 30 30 30 20 CGF 0,6 m	400	200	400	150	30	0,60
109095	R TERR 400 200 400 200 100 100 30 30 30 20 CGF 0,6 m	400	200	400	200	30	0,60
109096	R TERR 400 200 400 250 100 100 30 30 30 20 CGF 0,6 m	400	200	400	250	30	0,60

Note

For the other sizes, please contact the commercial department.



RECTANGULAR VENTILATION DUCTS AND FITTINGS INTEGRAL FLANGE CGF

Rectangular T-pieces and crossing T-pieces with integral flange CGF

Reducing T-pieces R TERR



Product Code Model

Explanation:

R TERR 400 200 400 300 100 100 30 30 30 20 CGF 0,6 mm Z140

R TERR Type

100 R1, R2 [mm]

400 A [mm]

30 Extension I, J, K [mm]

200 B [mm]

20 CGF Flange Class

400 C [mm]

0,6 mm Thickness δ [mm]

300 D [mm]

SKU	TYPE	A [mm]	B [mm]	C [mm]	D [mm]	Extension I, J, K [mm]	Thickness δ [mm]	
109097	R TERR 400 200 400 300 100 100 30 30 30 20 CGF 0,6 mm Z140	400	200	400	300	30	0,60	
109098	R TERR 400 250 400 150 100 100 30 30 30 20 CGF 0,6 mm Z140	400	250	400	150	30	0,60	
109099	R TERR 400 250 400 200 100 100 30 30 30 20 CGF 0,6 mm Z140	400	250	400	200	30	0,60	
109100	R TERR 400 250 400 250 100 100 30 30 30 20 CGF 0,6 mm Z140	400	250	400	250	30	0,60	
109101	R TERR 400 250 400 300 100 100 30 30 30 20 CGF 0,6 mm Z140	400	250	400	300	30	0,60	
109102	R TERR 400 300 400 150 100 100 30 30 30 20 CGF 0,6 mm Z140	400	300	400	150	30	0,60	
109103	R TERR 400 300 400 200 100 100 30 30 30 20 CGF 0,6 mm Z140	400	300	400	200	30	0,60	
109104	R TERR 400 300 400 250 100 100 30 30 30 20 CGF 0,6 mm Z140	400	300	400	250	30	0,60	
109105	R TERR 400 300 400 300 100 100 30 30 30 20 CGF 0,6 mm Z140	400	300	400	300	30	0,60	
109106	R TERR 400 400 400 200 100 100 30 30 30 20 CGF 0,6 mm Z140	400	400	400	200	30	0,60	
109107	R TERR 400 400 400 250 100 100 30 30 30 20 CGF 0,6 mm Z140	400	400	400	250	30	0,60	
109108	R TERR 400 400 400 300 100 100 30 30 30 20 CGF 0,6 mm Z140	400	400	400	300	30	0,60	
109109	R TERR 500 200 500 300 100 100 30 30 30 20 CGF 0,6 mm Z140	500	200	500	300	30	0,60	
109110	R TERR 500 200 500 400 100 100 30 30 30 20 CGF 0,6 mm Z140	500	200	500	400	30	0,60	
109111	R TERR 500 250 500 300 100 100 30 30 30 20 CGF 0,6 mm Z140	500	250	500	300	30	0,60	
109112	R TERR 500 250 500 400 100 100 30 30 30 20 CGF 0,6 mm Z140	500	250	500	400	30	0,60	
109113	R TERR 500 300 500 150 100 100 30 30 30 20 CGF 0,6 mm Z140	500	300	500	150	30	0,60	
109114	R TERR 500 300 500 200 100 100 30 30 30 20 CGF 0,6 mm Z140	500	300	500	200	30	0,60	
109115	R TERR 500 300 500 250 100 100 30 30 30 20 CGF 0,6 mm Z140	500	300	500	250	30	0,60	
109116	R TERR 500 300 500 300 100 100 30 30 30 20 CGF 0,6 mm Z140	500	300	500	300	30	0,60	
109117	R TERR 500 300 500 400 100 100 30 30 30 20 CGF 0,6 mm Z140	500	300	500	400	30	0,60	
109118	R TERR 500 400 500 200 100 100 30 30 30 20 CGF 0,6 mm Z140	500	400	500	200	30	0,60	
109119	R TERR 500 400 500 250 100 100 30 30 30 20 CGF 0,6 mm Z140	500	400	500	250	30	0,60	
109120	R TERR 500 400 500 300 100 100 30 30 30 20 CGF 0,6 mm Z140	500	400	500	300	30	0,60	

Note

For the other sizes, please contact the commercial department.



RECTANGULAR VENTILATION DUCTS AND FITTINGS INTEGRAL FLANGE CGF

Rectangular T-pieces and crossing T-pieces

T - pieces 45° Type 1 R TER45

with integral flange CGF



Description:

The Type T connection is used for making the derivations with an inclination of 45°

Used Material:

Galvanized steel DX51, Class Z140.

Note:

The thickness of the galvanized sheet varies depending on the fittings size.

Product Code Model

Explanation:

R TER45 100 100 150 100 291 1 20 CGF 0,5 mm Z140

R TER45 Type

291 L [mm]

100 A [mm]

1 Type 1

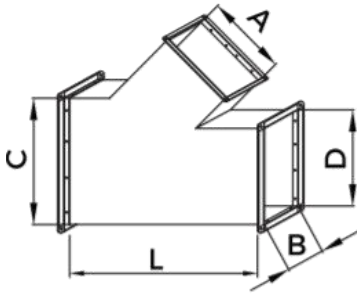
100 B [mm]

20 CGF Flange Class

150 C [mm]

0,5 mm Thickness δ [mm]

100 D [mm]



SKU	TYPE	A [mm]	B [mm]	C [mm]	D [mm]	L [mm]	Thickness δ [mm]
109121	R TER45 100 100 150 100 291 1 20 CGF 0,5 mm Z140	100	100	150	100	291	0,50
109122	R TER45 150 100 200 150 362 1 20 CGF 0,5 mm Z140	150	100	200	150	362	0,50
109123	R TER45 150 150 200 150 362 1 20 CGF 0,5 mm Z140	150	150	200	150	362	0,50
109124	R TER45 150 200 200 150 362 1 20 CGF 0,5 mm Z140	150	200	200	150	362	0,50
109125	R TER45 150 150 250 150 312 1 20 CGF 0,5 mm Z140	150	150	250	150	312	0,50
109126	R TER45 200 150 250 200 433 1 20 CGF 0,5 mm Z140	200	150	250	200	433	0,50
109127	R TER45 150 200 250 150 312 1 20 CGF 0,5 mm Z140	150	200	250	150	312	0,50
109128	R TER45 200 200 250 200 433 1 20 CGF 0,5 mm Z140	200	200	250	200	433	0,50
109129	R TER45 150 250 250 150 312 1 20 CGF 0,5 mm Z140	150	250	250	150	312	0,50
109130	R TER45 200 250 250 200 433 1 20 CGF 0,5 mm Z140	200	250	250	200	433	0,50
109131	R TER45 200 150 300 200 383 1 20 CGF 0,5 mm Z140	200	150	300	200	383	0,50
109132	R TER45 200 200 300 200 383 1 20 CGF 0,5 mm Z140	200	200	300	200	383	0,50
109133	R TER45 200 250 300 200 383 1 20 CGF 0,5 mm Z140	200	250	300	200	383	0,50
109134	R TER45 200 300 300 200 383 1 20 CGF 0,5 mm Z140	200	300	300	200	383	0,50
109135	R TER45 300 200 400 300 524 1 20 CGF 0,6 mm Z140	300	200	400	300	524	0,60
109136	R TER45 300 250 400 300 524 1 20 CGF 0,6 mm Z140	300	250	400	300	524	0,60
109137	R TER45 300 300 400 300 524 1 20 CGF 0,6 mm Z140	300	300	400	300	524	0,60
109138	R TER45 300 400 400 300 524 1 20 CGF 0,6 mm Z140	300	400	400	300	524	0,60
109139	R TER45 300 200 500 300 424 1 20 CGF 0,6 mm Z140	300	200	500	300	424	0,60
109140	R TER45 400 200 500 400 666 1 20 CGF 0,6 mm Z140	400	200	500	400	666	0,60
109141	R TER45 300 250 500 300 424 1 20 CGF 0,6 mm Z140	300	250	500	300	424	0,60
109142	R TER45 400 250 500 400 666 1 20 CGF 0,6 mm Z140	400	250	500	400	666	0,60
109143	R TER45 300 300 500 300 424 1 20 CGF 0,6 mm Z140	300	300	500	300	424	0,60
109144	R TER45 400 300 500 400 666 1 20 CGF 0,6 mm Z140	400	300	500	400	666	0,60
109145	R TER45 300 400 500 300 424 1 20 CGF 0,6 mm Z140	300	400	500	300	424	0,60
109146	R TER45 400 400 500 400 666 1 20 CGF 0,6 mm Z140	400	400	500	400	666	0,60
109147	R TER45 300 500 500 300 424 1 20 CGF 0,6 mm Z140	300	500	500	300	424	0,60
109148	R TER45 400 500 500 400 666 1 20 CGF 0,6 mm Z140	400	500	500	400	666	0,60

Note

For the other sizes, please contact the commercial department.



RECTANGULAR VENTILATION DUCTS AND FITTINGS INTEGRAL FLANGE CGF

Rectangular T-pieces and crossing T-pieces

T - pieces 45° Type 2 R TER45

with integral flange CGF

Description:

The Type T connection is used for making the derivations with an inclination of 45°

Used Material:

Galvanized steel DX51, Class Z100.

Note:

The thickness of the galvanized sheet varies depending on the fittings size.

Product Code Model

Explanation:

R TER45 150 100 100 341 2 20 CGF 0,5 mm Z140

R TER45 Type

2 Type 2

150 A [mm]

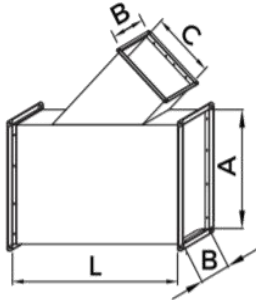
20 CGF Flange Class

100 B [mm]

0,5 mm Thickness δ [mm]

100 C [mm]

341 L [mm]



SKU	TYPE	A [mm]	B [mm]	C [mm]	L [mm]	Thickness δ [mm]		
109149	R TER45 150 100 100 341 2 20 CGF 0,5 mm Z140	150	100	100	341	0,50		
109150	R TER45 200 100 100 341 2 20 CGF 0,5 mm Z140	200	100	100	341	0,50		
109151	R TER45 200 100 150 412 2 20 CGF 0,5 mm Z140	200	100	150	412	0,50		
109152	R TER45 200 150 100 341 2 20 CGF 0,5 mm Z140	200	150	100	341	0,50		
109153	R TER45 200 150 150 412 2 20 CGF 0,5 mm Z140	200	150	150	412	0,50		
109154	R TER45 200 200 100 341 2 20 CGF 0,5 mm Z140	200	200	100	341	0,50		
109155	R TER45 200 200 150 412 2 20 CGF 0,5 mm Z140	200	200	150	412	0,50		
109156	R TER45 250 150 100 341 2 20 CGF 0,5 mm Z140	250	150	100	341	0,50		
109157	R TER45 250 150 150 412 2 20 CGF 0,5 mm Z140	250	150	150	412	0,50		
109158	R TER45 250 150 200 483 2 20 CGF 0,5 mm Z140	250	150	200	483	0,50		
109159	R TER45 250 200 100 341 2 20 CGF 0,5 mm Z140	250	200	100	341	0,50		
109160	R TER45 250 200 150 412 2 20 CGF 0,5 mm Z140	250	200	150	412	0,50		
109161	R TER45 250 200 200 483 2 20 CGF 0,5 mm Z140	250	200	200	483	0,50		
109162	R TER45 250 250 150 412 2 20 CGF 0,5 mm Z140	250	250	150	412	0,50		
109163	R TER45 250 250 200 483 2 20 CGF 0,5 mm Z140	250	250	200	483	0,50		
109164	R TER45 300 150 100 341 2 20 CGF 0,6 mm Z140	300	150	100	341	0,60		
109165	R TER45 300 150 150 412 2 20 CGF 0,6 mm Z140	300	150	150	412	0,60		
109166	R TER45 300 150 200 483 2 20 CGF 0,6 mm Z140	300	150	200	483	0,60		
109167	R TER45 300 150 250 554 2 20 CGF 0,6 mm Z140	300	150	250	554	0,60		
109168	R TER45 300 200 100 341 2 20 CGF 0,6 mm Z140	300	200	100	341	0,60		
109169	R TER45 300 200 150 412 2 20 CGF 0,6 mm Z140	300	200	150	412	0,60		
109170	R TER45 300 200 200 483 2 20 CGF 0,6 mm Z140	300	200	200	483	0,60		
109171	R TER45 300 200 250 554 2 20 CGF 0,6 mm Z140	300	200	250	554	0,60		
109172	R TER45 300 250 150 412 2 20 CGF 0,6 mm Z140	300	250	150	412	0,60		
109173	R TER45 300 250 200 483 2 20 CGF 0,6 mm Z140	300	250	200	483	0,60		
109174	R TER45 300 250 250 554 2 20 CGF 0,6 mm Z140	300	250	250	554	0,60		
109175	R TER45 300 300 150 412 2 20 CGF 0,6 mm Z140	300	300	150	412	0,60		
109176	R TER45 300 300 200 483 2 20 CGF 0,6 mm Z140	300	300	200	483	0,60		

Note

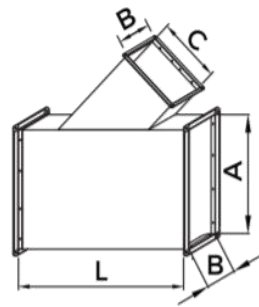
For the other sizes, please contact the commercial department.



RECTANGULAR VENTILATION DUCTS AND FITTINGS INTEGRAL FLANGE CGF

Rectangular T-pieces and crossing T-pieces with integral flange CGF

T - pieces 45° Type 2 R TER45



Product Code Model

Explanation:

R TER45 300 300 250 554 2 20 CGF 0,6 mm Z140

R TER45 Type

2 Type 2

300 A [mm]

20 CGF Flange Class

300 B [mm]

0,6 mm Thickness δ [mm]

250 C [mm]

554 L [mm]

SKU	TYPE	A [mm]	B [mm]	C [mm]	L [mm]	Thickness δ [mm]		
109177	R TER45 300 300 250 554 2 20 CGF 0,6 mm Z140	300	300	250	554	0,60		
109178	R TER45 400 200 100 341 2 20 CGF 0,6 mm Z140	400	200	100	341	0,60		
109179	R TER45 400 200 150 412 2 20 CGF 0,6 mm Z140	400	200	150	412	0,60		
109180	R TER45 400 200 200 483 2 20 CGF 0,6 mm Z140	400	200	200	483	0,60		
109181	R TER45 400 200 250 554 2 20 CGF 0,6 mm Z140	400	200	250	554	0,60		
109182	R TER45 400 200 300 624 2 20 CGF 0,6 mm Z140	400	200	300	624	0,60		
109183	R TER45 400 250 150 412 2 20 CGF 0,6 mm Z140	400	250	150	412	0,60		
109184	R TER45 400 250 200 483 2 20 CGF 0,6 mm Z140	400	250	200	483	0,60		
109185	R TER45 400 250 250 554 2 20 CGF 0,6 mm Z140	400	250	250	554	0,60		
109186	R TER45 400 250 300 624 2 20 CGF 0,6 mm Z140	400	250	300	624	0,60		
109187	R TER45 400 300 150 412 2 20 CGF 0,6 mm Z140	400	300	150	412	0,60		
109188	R TER45 400 300 200 483 2 20 CGF 0,6 mm Z140	400	300	200	483	0,60		
109189	R TER45 400 300 250 554 2 20 CGF 0,6 mm Z140	400	300	250	554	0,60		
109190	R TER45 400 300 300 624 2 20 CGF 0,6 mm Z140	400	300	300	624	0,60		
109191	R TER45 400 400 200 483 2 20 CGF 0,6 mm Z140	400	400	200	483	0,60		
109192	R TER45 400 400 250 554 2 20 CGF 0,6 mm Z140	400	400	250	554	0,60		
109193	R TER45 400 400 300 624 2 20 CGF 0,6 mm Z140	400	400	300	624	0,60		
109194	R TER45 500 200 100 341 2 20 CGF 0,6 mm Z140	500	200	100	341	0,60		
109195	R TER45 500 200 150 412 2 20 CGF 0,6 mm Z140	500	200	150	412	0,60		
109196	R TER45 500 200 200 483 2 20 CGF 0,6 mm Z140	500	200	200	483	0,60		
109197	R TER45 500 200 250 554 2 20 CGF 0,6 mm Z140	500	200	250	554	0,60		
109198	R TER45 500 200 300 624 2 20 CGF 0,6 mm Z140	500	200	300	624	0,60		
109199	R TER45 500 200 400 766 2 20 CGF 0,6 mm Z140	500	200	400	766	0,60		
109200	R TER45 500 250 150 412 2 20 CGF 0,6 mm Z140	500	250	150	412	0,60		
109201	R TER45 500 250 200 483 2 20 CGF 0,6 mm Z140	500	250	200	483	0,60		
109202	R TER45 500 250 250 554 2 20 CGF 0,6 mm Z140	500	250	250	554	0,60		
109203	R TER45 500 250 300 624 2 20 CGF 0,6 mm Z140	500	250	300	624	0,60		
109204	R TER45 500 250 400 766 2 20 CGF 0,6 mm Z140	500	250	400	766	0,60		
109205	R TER45 500 300 150 412 2 20 CGF 0,6 mm Z140	500	300	150	412	0,60		
109206	R TER45 500 300 200 483 2 20 CGF 0,6 mm Z140	500	300	200	483	0,60		
109207	R TER45 500 300 250 554 2 20 CGF 0,6 mm Z140	500	300	250	554	0,60		
109208	R TER45 500 300 300 624 2 20 CGF 0,6 mm Z140	500	300	300	624	0,60		
109209	R TER45 500 300 400 766 2 20 CGF 0,6 mm Z140	500	300	400	766	0,60		
109210	R TER45 500 400 200 483 2 20 CGF 0,6 mm Z140	500	400	200	483	0,60		
109211	R TER45 500 400 250 554 2 20 CGF 0,6 mm Z140	500	400	250	554	0,60		
109212	R TER45 500 400 300 624 2 20 CGF 0,6 mm Z140	500	400	300	624	0,60		

Note

For the other sizes, please contact the commercial department.

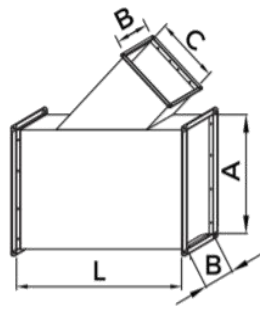


RECTANGULAR VENTILATION DUCTS AND FITTINGS INTEGRAL FLANGE CGF

Rectangular T-pieces and crossing T-pieces with integral flange CGF

T - pieces 45°

Type 2 R TER45



Product Code Model

Explanation:

R TER45 500 400 400 766 2 20 CGF 0,6 mm Z140

R TER45 Type

2 Type 2

500 A [mm]

20 CGF Flange Class

400 B [mm]

0,6 mm Thickness δ [mm]

400 C [mm]

766 L [mm]

SKU	TYPE	A [mm]	B [mm]	C [mm]	L [mm]	Thickness δ [mm]		
109213	R TER45 500 400 400 766 2 20 CGF 0,6 mm Z140	500	400	400	766	0,60		
109214	R TER45 500 500 200 483 2 20 CGF 0,6 mm Z140	500	500	200	483	0,60		
109215	R TER45 500 500 250 554 2 20 CGF 0,6 mm Z140	500	500	250	554	0,60		
109216	R TER45 500 500 300 624 2 20 CGF 0,6 mm Z140	500	500	300	624	0,60		
109217	R TER45 500 500 400 766 2 20 CGF 0,6 mm Z140	500	500	400	766	0,60		

Note

For the other sizes, please contact the commercial department.

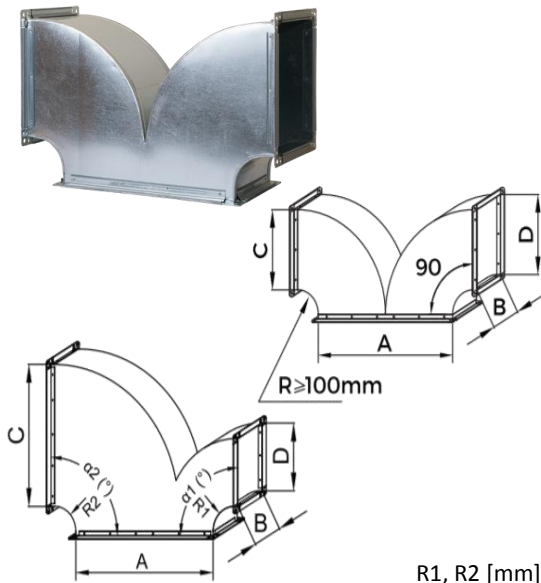


RECTANGULAR VENTILATION DUCTS AND FITTINGS INTEGRAL FLANGE CGF

Rectangular T-pieces and crossing T-pieces

Rectangular double branch bends R RABLR

with integral flange CGF



R1, R2 [mm] = 100

Description:

This fitting allows building the ductwork with two take-offs set at any angle.

Used Material:

Galvanized steel DX51, Class Z140.

Note:

The thickness of the galvanized sheet varies depending on the fittings size.

Product Code Model

Explanation:

R RABLR 300 150 150 150 90 90 100 100 20 CGF 0,6 mm Z140

R RABLR	Type	90	α_1, α_2 [°]
300	A [mm]	100	R1, R2 [mm]
150	B [mm]	20	CGF Flange Class
150	C [mm]	0,6 mm	Thickness δ [mm]
150	D [mm]		

SKU	TYPE	A [mm]	B [mm]	C [mm]	D [mm]	α_1, α_2 [°]	Thickness δ [mm]
109218	R RABLR 300 150 150 150 90 90 100 100 20 CGF 0,6 mm Z140	300	150	150	150	90	0,60
109219	R RABLR 300 200 150 150 90 90 100 100 20 CGF 0,6 mm Z140	300	200	150	150	90	0,60
109220	R RABLR 300 300 150 150 90 90 100 100 20 CGF 0,6 mm Z140	300	300	150	150	90	0,60
109221	R RABLR 400 200 200 200 90 90 100 100 20 CGF 0,6 mm Z140	400	200	200	200	90	0,60
109222	R RABLR 400 200 250 150 90 90 100 100 20 CGF 0,6 mm Z140	400	200	250	150	90	0,60
109223	R RABLR 400 300 200 200 90 90 100 100 20 CGF 0,6 mm Z140	400	300	200	200	90	0,60
109224	R RABLR 400 300 250 150 90 90 100 100 20 CGF 0,6 mm Z140	400	300	250	150	90	0,60
109225	R RABLR 400 400 200 200 90 90 100 100 20 CGF 0,6 mm Z140	400	400	200	200	90	0,60
109226	R RABLR 500 200 250 250 90 90 100 100 20 CGF 0,6 mm Z140	500	200	250	250	90	0,60
109227	R RABLR 500 200 300 200 90 90 100 100 20 CGF 0,6 mm Z140	500	200	300	200	90	0,60
109228	R RABLR 500 250 250 250 90 90 100 100 20 CGF 0,6 mm Z140	500	250	250	250	90	0,60
109229	R RABLR 500 250 300 200 90 90 100 100 20 CGF 0,6 mm Z140	500	250	300	200	90	0,60
109230	R RABLR 500 300 250 250 90 90 100 100 20 CGF 0,6 mm Z140	500	300	250	250	90	0,60
109231	R RABLR 500 300 300 200 90 90 100 100 20 CGF 0,6 mm Z140	500	300	300	200	90	0,60
109232	R RABLR 500 400 250 250 90 90 100 100 20 CGF 0,6 mm Z140	500	400	250	250	90	0,60
109233	R RABLR 500 400 300 200 90 90 100 100 20 CGF 0,6 mm Z140	500	400	300	200	90	0,60
109234	R RABLR 500 500 250 250 90 90 100 100 20 CGF 0,6 mm Z140	500	500	250	250	90	0,60
109235	R RABLR 500 500 300 200 90 90 100 100 20 CGF 0,6 mm Z140	500	500	300	200	90	0,60
109236	R RABLR 600 300 300 300 90 90 100 100 20 CGF 0,6 mm Z140	600	300	300	300	90	0,60
109237	R RABLR 600 300 400 200 90 90 100 100 20 CGF 0,6 mm Z140	600	300	400	200	90	0,60
109238	R RABLR 600 400 300 300 90 90 100 100 20 CGF 0,6 mm Z140	600	400	300	300	90	0,60
109239	R RABLR 600 400 400 200 90 90 100 100 20 CGF 0,6 mm Z140	600	400	400	200	90	0,60
109240	R RABLR 600 500 300 300 90 90 100 100 20 CGF 0,6 mm Z140	600	500	300	300	90	0,60
109241	R RABLR 600 500 400 200 90 90 100 100 20 CGF 0,6 mm Z140	600	500	400	200	90	0,60
109242	R RABLR 600 600 300 300 90 90 100 100 20 CGF 0,7 mm Z140	600	600	300	300	90	0,70
109243	R RABLR 600 600 400 200 90 90 100 100 20 CGF 0,7 mm Z140	600	600	400	200	90	0,70
109244	R RABLR 700 300 350 350 90 90 100 100 20 CGF 0,7 mm Z140	700	300	350	350	90	0,70
109245	R RABLR 700 300 400 300 90 90 100 100 20 CGF 0,7 mm Z140	700	300	400	300	90	0,70

Note

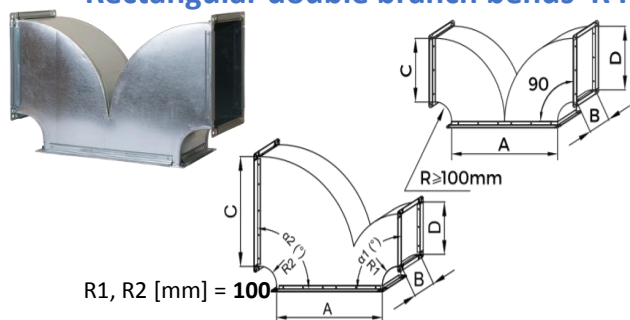
For the other sizes, please contact the commercial department.



RECTANGULAR VENTILATION DUCTS AND FITTINGS INTEGRAL FLANGE CGF

Rectangular T-pieces and crossing T-pieces with integral flange CGF

Rectangular double branch bends R RABLR



Product Code Model

Explanation:

R RABLR 700 300 500 200 90 90 100 100 20 CGF 0,7 mm Z140

R RABLR Type

90 α_1, α_2 [°]

700 A [mm]

100 R1, R2 [mm]

300 B [mm]

20 CGF Flange Class

500 C [mm]

0,7 mm Thickness δ [mm]

200 D [mm]

SKU	TYPE	A [mm]	B [mm]	C [mm]	D [mm]	α_1, α_2 [°]	Thickness δ [mm]
109246	R RABLR 700 300 500 200 90 90 100 100 20 CGF 0,7 mm Z140	700	300	500	200	90	0,70
109247	R RABLR 700 400 350 350 90 90 100 100 20 CGF 0,7 mm Z140	700	400	350	350	90	0,70
109248	R RABLR 700 400 400 300 90 90 100 100 20 CGF 0,7 mm Z140	700	400	400	300	90	0,70
109249	R RABLR 700 400 500 200 90 90 100 100 20 CGF 0,7 mm Z140	700	400	500	200	90	0,70
109250	R RABLR 700 500 350 350 90 90 100 100 20 CGF 0,7 mm Z140	700	500	350	350	90	0,70
109251	R RABLR 700 500 400 300 90 90 100 100 20 CGF 0,7 mm Z140	700	500	400	300	90	0,70
109252	R RABLR 700 500 500 200 90 90 100 100 20 CGF 0,7 mm Z140	700	500	500	200	90	0,70
109253	R RABLR 700 600 350 350 90 90 100 100 20 CGF 0,7 mm Z140	700	600	350	350	90	0,70
109254	R RABLR 700 600 400 300 90 90 100 100 20 CGF 0,7 mm Z140	700	600	400	300	90	0,70
109255	R RABLR 700 600 500 200 90 90 100 100 20 CGF 0,7 mm Z140	700	600	500	200	90	0,70
109256	R RABLR 700 700 350 350 90 90 100 100 20 CGF 0,7 mm Z140	700	700	350	350	90	0,70
109257	R RABLR 700 700 400 300 90 90 100 100 20 CGF 0,7 mm Z140	700	700	400	300	90	0,70
109258	R RABLR 800 200 400 400 90 90 100 100 20 CGF 0,7 mm Z140	800	200	400	400	90	0,70
109259	R RABLR 800 200 500 300 90 90 100 100 20 CGF 0,7 mm Z140	800	200	500	300	90	0,70
109260	R RABLR 800 200 600 200 90 90 100 100 20 CGF 0,7 mm Z140	800	200	600	200	90	0,70
109261	R RABLR 800 250 400 400 90 90 100 100 20 CGF 0,7 mm Z140	800	250	400	400	90	0,70
109262	R RABLR 800 250 500 300 90 90 100 100 20 CGF 0,7 mm Z140	800	250	500	300	90	0,70
109263	R RABLR 800 250 600 200 90 90 100 100 20 CGF 0,7 mm Z140	800	250	600	200	90	0,70
109264	R RABLR 800 300 400 400 90 90 100 100 20 CGF 0,7 mm Z140	800	300	400	400	90	0,70
109265	R RABLR 800 300 500 300 90 90 100 100 20 CGF 0,7 mm Z140	800	300	500	300	90	0,70
109266	R RABLR 800 300 600 200 90 90 100 100 20 CGF 0,7 mm Z140	800	300	600	200	90	0,70
109267	R RABLR 800 400 400 400 90 90 100 100 20 CGF 0,7 mm Z140	800	400	400	400	90	0,70
109268	R RABLR 800 400 500 300 90 90 100 100 20 CGF 0,7 mm Z140	800	400	500	300	90	0,70
109269	R RABLR 800 400 600 200 90 90 100 100 20 CGF 0,7 mm Z140	800	400	600	200	90	0,70
109270	R RABLR 800 500 400 400 90 90 100 100 20 CGF 0,8 mm Z140	800	500	400	400	90	0,80
109271	R RABLR 800 500 500 300 90 90 100 100 20 CGF 0,8 mm Z140	800	500	500	300	90	0,80
109272	R RABLR 800 500 600 200 90 90 100 100 20 CGF 0,8 mm Z140	800	500	600	200	90	0,80
109273	R RABLR 800 600 400 400 90 90 100 100 20 CGF 0,8 mm Z140	800	600	400	400	90	0,80
109274	R RABLR 800 600 500 300 90 90 100 100 20 CGF 0,8 mm Z140	800	600	500	300	90	0,80
109275	R RABLR 800 600 600 200 90 90 100 100 20 CGF 0,8 mm Z140	800	600	600	200	90	0,80
109276	R RABLR 800 700 400 400 90 90 100 100 20 CGF 0,8 mm Z140	800	700	400	400	90	0,80
109277	R RABLR 800 700 500 300 90 90 100 100 20 CGF 0,8 mm Z140	800	700	500	300	90	0,80
109278	R RABLR 800 800 400 400 90 90 100 100 20 CGF 0,8 mm Z140	800	800	400	400	90	0,80
109279	R RABLR 800 800 500 300 90 90 100 100 20 CGF 0,8 mm Z140	800	800	500	300	90	0,80
109280	R RABLR 900 300 500 400 90 90 100 100 20 CGF 0,8 mm Z140	900	300	500	400	90	0,80
109281	R RABLR 900 300 600 300 90 90 100 100 20 CGF 0,8 mm Z140	900	300	600	300	90	0,80

Note

For the other sizes, please contact the commercial department.

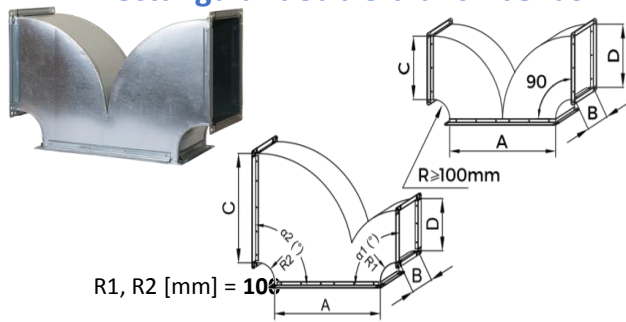


RECTANGULAR VENTILATION DUCTS AND FITTINGS INTEGRAL FLANGE CGF

Rectangular T-pieces and crossing T-pieces

with integral flange CGF

Rectangular double branch bends R RABLR



Product Code Model

Explanation:

R RABLR 900 400 500 400 90 90 100 100 20 CGF 0,8 mm Z140

R RABLR Type

90 α_1, α_2 [°]

900 A [mm]

100 R1, R2 [mm]

400 B [mm]

20 CGF Flange Class

500 C [mm]

0,8 mm Thickness δ [mm]

400 D [mm]

SKU	TYPE	A [mm]	B [mm]	C [mm]	D [mm]	α_1, α_2 [°]	Thickness δ [mm]
109282	R RABLR 900 400 500 400 90 90 100 100 20 CGF 0,8 mm Z140	900	400	500	400	90	0,80
109283	R RABLR 900 400 600 300 90 90 100 100 20 CGF 0,8 mm Z140	900	400	600	300	90	0,80
109284	R RABLR 900 500 500 400 90 90 100 100 20 CGF 0,8 mm Z140	900	500	500	400	90	0,80
109285	R RABLR 900 500 600 300 90 90 100 100 20 CGF 0,8 mm Z140	900	500	600	300	90	0,80
109286	R RABLR 900 600 500 400 90 90 100 100 20 CGF 0,8 mm Z140	900	600	500	400	90	0,80
109287	R RABLR 900 600 600 300 90 90 100 100 20 CGF 0,8 mm Z140	900	600	600	300	90	0,80
109288	R RABLR 900 700 500 400 90 90 100 100 20 CGF 0,8 mm Z140	900	700	500	400	90	0,80
109289	R RABLR 900 700 600 300 90 90 100 100 20 CGF 0,8 mm Z140	900	700	600	300	90	0,80
109290	R RABLR 900 800 500 400 90 90 100 100 20 CGF 0,8 mm Z140	900	800	500	400	90	0,80
109291	R RABLR 900 800 600 300 90 90 100 100 20 CGF 0,8 mm Z140	900	800	600	300	90	0,80
109292	R RABLR 900 900 500 400 90 90 100 100 20 CGF 0,8 mm Z140	900	900	500	400	90	0,80
109293	R RABLR 900 900 600 300 90 90 100 100 20 CGF 0,8 mm Z140	900	900	600	300	90	0,80
109294	R RABLR 1000 350 500 500 90 90 100 100 20 CGF 0,8 mm Z140	1000	350	500	500	90	0,80
109295	R RABLR 1000 350 600 400 90 90 100 100 20 CGF 0,8 mm Z140	1000	350	600	400	90	0,80
109296	R RABLR 1000 350 700 300 90 90 100 100 20 CGF 0,8 mm Z140	1000	350	700	300	90	0,80
109297	R RABLR 1000 400 500 500 90 90 100 100 20 CGF 0,8 mm Z140	1000	400	500	500	90	0,80
109298	R RABLR 1000 400 600 400 90 90 100 100 20 CGF 0,8 mm Z140	1000	400	600	400	90	0,80
109299	R RABLR 1000 400 700 300 90 90 100 100 20 CGF 0,8 mm Z140	1000	400	700	300	90	0,80
109300	R RABLR 1000 500 500 500 90 90 100 100 30 CGF 1 mm Z140	1000	500	500	500	90	1,00
109301	R RABLR 1000 500 600 400 90 90 100 100 30 CGF 1 mm Z140	1000	500	600	400	90	1,00
109302	R RABLR 1000 500 700 300 90 90 100 100 30 CGF 1 mm Z140	1000	500	700	300	90	1,00
109303	R RABLR 1000 600 500 500 90 90 100 100 30 CGF 1 mm Z140	1000	600	500	500	90	1,00
109304	R RABLR 1000 600 600 400 90 90 100 100 30 CGF 1 mm Z140	1000	600	600	400	90	1,00
109305	R RABLR 1000 600 700 300 90 90 100 100 30 CGF 1 mm Z140	1000	600	700	300	90	1,00

Note

For the other sizes, please contact the commercial department.



RECTANGULAR VENTILATION DUCTS AND FITTINGS INTEGRAL FLANGE CGF

Rectangular T-pieces and crossing T-pieces

Eccentric Variable Cross-Section Pant T-piece R PIPR

with integral flange CGF



Description:

The wye tee (pant)

The wye tee divides the air flow between two parallel legs.

Used Material:

Galvanized steel DX51, Class Z140.

Note:

The thickness of the galvanized sheet varies depending on the fittings size.

Product Code Model

Explanation:

R PIPR 300 150 150 150 250 150 20 CGF 0,6 mm Z140

R PIPR Type

250 L [mm]

300 A [mm]

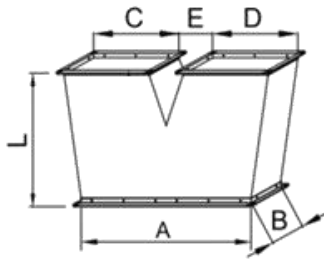
20 CGF Flange Class

150 B [mm]

0,6 mm Thickness δ [mm]

150 C [mm]

150 D [mm]



E [mm] = 150

SKU	TYPE	A [mm]	B [mm]	C [mm]	D [mm]	L [mm]	Thickness δ [mm]
109306	R PIPR 300 150 150 150 250 150 20 CGF 0,6 mm Z140	300	150	150	150	250	0,60
109307	R PIPR 300 200 150 150 250 150 20 CGF 0,6 mm Z140	300	200	150	150	250	0,60
109308	R PIPR 300 300 150 150 250 150 20 CGF 0,6 mm Z140	300	300	150	150	250	0,60
109309	R PIPR 400 200 200 200 300 150 20 CGF 0,6 mm Z140	400	200	200	200	300	0,60
109310	R PIPR 400 200 250 150 300 150 20 CGF 0,6 mm Z140	400	200	250	150	300	0,60
109311	R PIPR 400 300 200 200 300 150 20 CGF 0,6 mm Z140	400	300	200	200	300	0,60
109312	R PIPR 400 300 250 150 300 150 20 CGF 0,6 mm Z140	400	300	250	150	300	0,60
109313	R PIPR 400 400 200 200 300 150 20 CGF 0,6 mm Z140	400	400	200	200	300	0,60
109314	R PIPR 500 200 250 250 400 150 20 CGF 0,6 mm Z140	500	200	250	250	400	0,60
109315	R PIPR 500 200 300 200 400 150 20 CGF 0,6 mm Z140	500	200	300	200	400	0,60
109316	R PIPR 500 250 250 250 400 150 20 CGF 0,6 mm Z140	500	250	250	250	400	0,60
109317	R PIPR 500 250 300 200 400 150 20 CGF 0,6 mm Z140	500	250	300	200	400	0,60
109318	R PIPR 500 300 250 250 400 150 20 CGF 0,6 mm Z140	500	300	250	250	400	0,60
109319	R PIPR 500 300 300 200 400 150 20 CGF 0,6 mm Z140	500	300	300	200	400	0,60
109320	R PIPR 500 400 250 250 400 150 20 CGF 0,6 mm Z140	500	400	250	250	400	0,60
109321	R PIPR 500 400 300 200 400 150 20 CGF 0,6 mm Z140	500	400	300	200	400	0,60
109322	R PIPR 500 500 250 250 400 150 20 CGF 0,6 mm Z140	500	500	250	250	400	0,60
109323	R PIPR 500 500 300 200 400 150 20 CGF 0,6 mm Z140	500	500	300	200	400	0,60
109324	R PIPR 600 300 300 300 500 150 20 CGF 0,6 mm Z140	600	300	300	300	500	0,60
109325	R PIPR 600 300 400 200 500 150 20 CGF 0,6 mm Z140	600	300	400	200	500	0,60
109326	R PIPR 600 400 300 300 500 150 20 CGF 0,6 mm Z140	600	400	300	300	500	0,60
109327	R PIPR 600 400 400 200 500 150 20 CGF 0,6 mm Z140	600	400	400	200	500	0,60
109328	R PIPR 600 500 300 300 500 150 20 CGF 0,6 mm Z140	600	500	300	300	500	0,60
109329	R PIPR 600 500 400 200 500 150 20 CGF 0,6 mm Z140	600	500	400	200	500	0,60
109330	R PIPR 600 600 300 300 500 150 20 CGF 0,7 mm Z140	600	600	300	300	500	0,70
109331	R PIPR 600 600 400 200 500 150 20 CGF 0,7 mm Z140	600	600	400	200	500	0,70
109332	R PIPR 700 300 350 350 600 150 20 CGF 0,7 mm Z140	700	300	350	350	600	0,70
109333	R PIPR 700 300 400 300 600 150 20 CGF 0,7 mm Z140	700	300	400	300	600	0,70

Note

For the other sizes, please contact the commercial department.

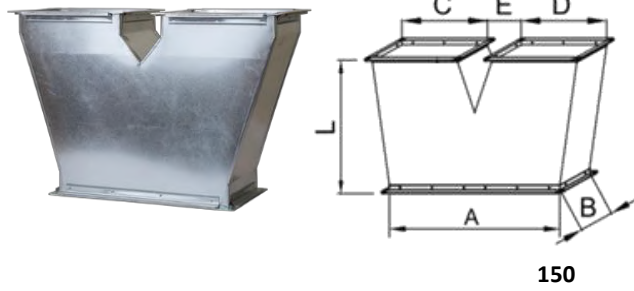


RECTANGULAR VENTILATION DUCTS AND FITTINGS INTEGRAL FLANGE CGF

Rectangular T-pieces and crossing T-pieces

Eccentric Variable Cross-Section Pant T-piece R PIPR

with integral flange CGF



Product Code Model

Explanation:

R PIPR 700 300 500 200 600 150 20 CGF 0,7 mm Z140

R PIPR Type

600 L [mm]

700 A [mm]

20 CGF Flange Class

300 B [mm]

0,7 mm Thickness δ [mm]

500 C [mm]

200 D [mm]

SKU	TYPE	A [mm]	B [mm]	C [mm]	D [mm]	L [mm]	Thickness δ [mm]	
109334	R PIPR 700 300 500 200 600 150 20 CGF 0,7 mm Z140	700	300	500	200	600	0,70	
109335	R PIPR 700 400 350 350 600 150 20 CGF 0,7 mm Z140	700	400	350	350	600	0,70	
109336	R PIPR 700 400 400 300 600 150 20 CGF 0,7 mm Z140	700	400	400	300	600	0,70	
109337	R PIPR 700 400 500 200 600 150 20 CGF 0,7 mm Z140	700	400	500	200	600	0,70	
109338	R PIPR 700 500 350 350 600 150 20 CGF 0,7 mm Z140	700	500	350	350	600	0,70	
109339	R PIPR 700 500 400 300 600 150 20 CGF 0,7 mm Z140	700	500	400	300	600	0,70	
109340	R PIPR 700 500 500 200 600 150 20 CGF 0,7 mm Z140	700	500	500	200	600	0,70	
109341	R PIPR 700 600 350 350 600 150 20 CGF 0,7 mm Z140	700	600	350	350	600	0,70	
109342	R PIPR 700 600 400 300 600 150 20 CGF 0,7 mm Z140	700	600	400	300	600	0,70	
109343	R PIPR 700 600 500 200 600 150 20 CGF 0,7 mm Z140	700	600	500	200	600	0,70	
109344	R PIPR 700 700 350 350 600 150 20 CGF 0,7 mm Z140	700	700	350	350	600	0,70	
109345	R PIPR 700 700 400 300 600 150 20 CGF 0,7 mm Z140	700	700	400	300	600	0,70	
109346	R PIPR 800 200 400 400 600 150 20 CGF 0,7 mm Z140	800	200	400	400	600	0,70	
109347	R PIPR 800 200 500 300 600 150 20 CGF 0,7 mm Z140	800	200	500	300	600	0,70	
109348	R PIPR 800 200 600 200 600 150 20 CGF 0,7 mm Z140	800	200	600	200	600	0,70	
109349	R PIPR 800 250 400 400 600 150 20 CGF 0,7 mm Z140	800	250	400	400	600	0,70	
109350	R PIPR 800 250 500 300 600 150 20 CGF 0,7 mm Z140	800	250	500	300	600	0,70	
109351	R PIPR 800 250 600 200 600 150 20 CGF 0,7 mm Z140	800	250	600	200	600	0,70	
109352	R PIPR 800 300 400 400 600 150 20 CGF 0,7 mm Z140	800	300	400	400	600	0,70	
109353	R PIPR 800 300 500 300 600 150 20 CGF 0,7 mm Z140	800	300	500	300	600	0,70	
109354	R PIPR 800 300 600 200 600 150 20 CGF 0,7 mm Z140	800	300	600	200	600	0,70	
109355	R PIPR 800 400 400 400 600 150 20 CGF 0,7 mm Z140	800	400	400	400	600	0,70	
109356	R PIPR 800 400 500 300 600 150 20 CGF 0,7 mm Z140	800	400	500	300	600	0,70	
109357	R PIPR 800 400 600 200 600 150 20 CGF 0,7 mm Z140	800	400	600	200	600	0,70	
109358	R PIPR 800 500 400 400 600 150 20 CGF 0,8 mm Z140	800	500	400	400	600	0,80	
109359	R PIPR 800 500 500 300 600 150 20 CGF 0,8 mm Z140	800	500	500	300	600	0,80	
109360	R PIPR 800 500 600 200 600 150 20 CGF 0,8 mm Z140	800	500	600	200	600	0,80	
109361	R PIPR 800 600 400 400 600 150 20 CGF 0,8 mm Z140	800	600	400	400	600	0,80	
109362	R PIPR 800 600 500 300 600 150 20 CGF 0,8 mm Z140	800	600	500	300	600	0,80	
109363	R PIPR 800 600 600 200 600 150 20 CGF 0,8 mm Z140	800	600	600	200	600	0,80	
109364	R PIPR 800 700 400 400 600 150 20 CGF 0,8 mm Z140	800	700	400	400	600	0,80	
109365	R PIPR 800 700 500 300 600 150 20 CGF 0,8 mm Z140	800	700	500	300	600	0,80	
109366	R PIPR 800 800 400 400 600 150 20 CGF 0,8 mm Z140	800	800	400	400	600	0,80	
109367	R PIPR 800 800 500 300 600 150 20 CGF 0,8 mm Z140	800	800	500	300	600	0,80	
109368	R PIPR 900 300 500 400 600 150 20 CGF 0,8 mm Z140	900	300	500	400	600	0,80	
109369	R PIPR 900 300 600 300 600 150 20 CGF 0,8 mm Z140	900	300	600	300	600	0,80	

Note

For the other sizes, please contact the commercial department.

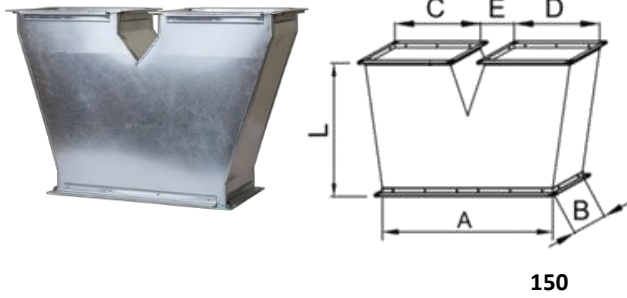


RECTANGULAR VENTILATION DUCTS AND FITTINGS INTEGRAL FLANGE CGF

Rectangular T-pieces and crossing T-pieces

Eccentric Variable Cross-Section Pant T-piece R PIPR

with integral flange CGF



Product Code Model

Explanation:

R PIPR 900 400 500 400 600 150 20 CGF 0,8 mm Z140

R PIPR Type

600 L [mm]

900 A [mm]

20 CGF Flange Class

400 B [mm]

0,8 mm Thickness δ [mm]

500 C [mm]

400 D [mm]

SKU	TYPE	A [mm]	B [mm]	C [mm]	D [mm]	L [mm]	Thickness δ [mm]	
109370	R PIPR 900 400 500 400 600 150 20 CGF 0,8 mm Z140	900	400	500	400	600	0,80	
109371	R PIPR 900 400 600 300 600 150 20 CGF 0,8 mm Z140	900	400	600	300	600	0,80	
109372	R PIPR 900 500 500 400 600 150 20 CGF 0,8 mm Z140	900	500	500	400	600	0,80	
109373	R PIPR 900 500 600 300 600 150 20 CGF 0,8 mm Z140	900	500	600	300	600	0,80	
109374	R PIPR 900 600 500 400 600 150 20 CGF 0,8 mm Z140	900	600	500	400	600	0,80	
109375	R PIPR 900 600 600 300 600 150 20 CGF 0,8 mm Z140	900	600	600	300	600	0,80	
109376	R PIPR 900 700 500 400 600 150 20 CGF 0,8 mm Z140	900	700	500	400	600	0,80	
109377	R PIPR 900 700 600 300 600 150 20 CGF 0,8 mm Z140	900	700	600	300	600	0,80	
109378	R PIPR 900 800 500 400 600 150 20 CGF 0,8 mm Z140	900	800	500	400	600	0,80	
109379	R PIPR 900 800 600 300 600 150 20 CGF 0,8 mm Z140	900	800	600	300	600	0,80	
109380	R PIPR 900 900 500 400 600 150 20 CGF 0,8 mm Z140	900	900	500	400	600	0,80	
109381	R PIPR 900 900 600 300 600 150 20 CGF 0,8 mm Z140	900	900	600	300	600	0,80	
109382	R PIPR 1000 350 500 500 600 150 20 CGF 0,8 mm Z140	1000	350	500	500	600	0,80	
109383	R PIPR 1000 350 600 400 600 150 20 CGF 0,8 mm Z140	1000	350	600	400	600	0,80	
109384	R PIPR 1000 350 700 300 600 150 20 CGF 0,8 mm Z140	1000	350	700	300	600	0,80	
109385	R PIPR 1000 400 500 500 600 150 20 CGF 0,8 mm Z140	1000	400	500	500	600	0,80	
109386	R PIPR 1000 400 600 400 600 150 20 CGF 0,8 mm Z140	1000	400	600	400	600	0,80	
109387	R PIPR 1000 400 700 300 600 150 20 CGF 0,8 mm Z140	1000	400	700	300	600	0,80	
109388	R PIPR 1000 500 500 500 600 150 30 CGF 1 mm Z140	1000	500	500	500	600	1,00	
109389	R PIPR 1000 500 600 400 600 150 30 CGF 1 mm Z140	1000	500	600	400	600	1,00	
109390	R PIPR 1000 500 700 300 600 150 30 CGF 1 mm Z140	1000	500	700	300	600	1,00	
109391	R PIPR 1000 600 500 500 600 150 30 CGF 1 mm Z140	1000	600	500	500	600	1,00	
109392	R PIPR 1000 600 600 400 600 150 30 CGF 1 mm Z140	1000	600	600	400	600	1,00	
109393	R PIPR 1000 600 700 300 600 150 30 CGF 1 mm Z140	1000	600	700	300	600	1,00	

Note

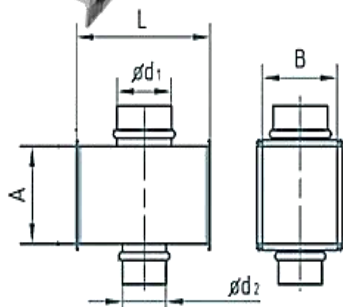
For the other sizes, please contact the commercial department.



RECTANGULAR VENTILATION DUCTS AND FITTINGS INTEGRAL FLANGE CGF

Rectangular T-pieces and crossing T-pieces with integral flange CGF

Four-way pieces with round take-offs R PIXRC



Description:

This transition piece
to connect the rectangular ducts to the circular ducts.

Used Material:

Galvanized steel DX51, Class Z140.

Note:

The thickness of the galvanized sheet
varies depending on the fittings size.

Product Code Model

Explanation:

R PIXRC 200 200 125 125 300 20 CGF 0,5 mm Z140

R PIXRC Type

300 L [mm]

200 A [mm]

20 CGF Flange Class

200 B [mm]

0,5 mm Thickness δ [mm]

125 d_1 [mm]

125 d_2 [mm]

SKU	TYPE	A [mm]	B [mm]	d_1 [mm]	d_2 [mm]	L [mm]	Thickness δ [mm]	
109394	R PIXRC 200 200 125 125 300 20 CGF 0,5 mm Z140	200	200	125	125	300	0,50	
109395	R PIXRC 200 200 160 160 300 20 CGF 0,5 mm Z140	200	200	160	160	300	0,50	
109396	R PIXRC 250 200 125 125 300 20 CGF 0,5 mm Z140	250	200	125	125	300	0,50	
109397	R PIXRC 250 200 160 160 300 20 CGF 0,5 mm Z140	250	200	160	160	300	0,50	
109398	R PIXRC 250 250 125 125 350 20 CGF 0,5 mm Z140	250	250	125	125	350	0,50	
109399	R PIXRC 250 250 160 160 350 20 CGF 0,5 mm Z140	250	250	160	160	350	0,50	
109400	R PIXRC 250 250 200 200 350 20 CGF 0,5 mm Z140	250	250	200	200	350	0,50	
109401	R PIXRC 300 200 125 125 300 20 CGF 0,6 mm Z140	300	200	125	125	300	0,60	
109402	R PIXRC 300 200 160 160 300 20 CGF 0,6 mm Z140	300	200	160	160	300	0,60	
109403	R PIXRC 300 250 125 125 350 20 CGF 0,6 mm Z140	300	250	125	125	350	0,60	
109404	R PIXRC 300 250 160 160 350 20 CGF 0,6 mm Z140	300	250	160	160	350	0,60	
109405	R PIXRC 300 250 200 200 350 20 CGF 0,6 mm Z140	300	250	200	200	350	0,60	
109406	R PIXRC 300 300 125 125 400 20 CGF 0,6 mm Z140	300	300	125	125	400	0,60	
109407	R PIXRC 300 300 160 160 400 20 CGF 0,6 mm Z140	300	300	160	160	400	0,60	
109408	R PIXRC 300 300 200 200 400 20 CGF 0,6 mm Z140	300	300	200	200	400	0,60	
109409	R PIXRC 300 300 250 250 400 20 CGF 0,6 mm Z140	300	300	250	250	400	0,60	
109410	R PIXRC 400 200 125 125 300 20 CGF 0,6 mm Z140	400	200	125	125	300	0,60	
109411	R PIXRC 400 200 160 160 300 20 CGF 0,6 mm Z140	400	200	160	160	300	0,60	
109412	R PIXRC 400 250 125 125 350 20 CGF 0,6 mm Z140	400	250	125	125	350	0,60	
109413	R PIXRC 400 250 160 160 350 20 CGF 0,6 mm Z140	400	250	160	160	350	0,60	
109414	R PIXRC 400 250 200 200 350 20 CGF 0,6 mm Z140	400	250	200	200	350	0,60	
109415	R PIXRC 400 300 125 125 400 20 CGF 0,6 mm Z140	400	300	125	125	400	0,60	
109416	R PIXRC 400 300 160 160 400 20 CGF 0,6 mm Z140	400	300	160	160	400	0,60	
109417	R PIXRC 400 300 200 200 400 20 CGF 0,6 mm Z140	400	300	200	200	400	0,60	
109418	R PIXRC 400 300 250 250 400 20 CGF 0,6 mm Z140	400	300	250	250	400	0,60	
109419	R PIXRC 400 400 125 125 500 20 CGF 0,6 mm Z140	400	400	125	125	500	0,60	
109420	R PIXRC 400 400 160 160 500 20 CGF 0,6 mm Z140	400	400	160	160	500	0,60	
109421	R PIXRC 400 400 200 200 500 20 CGF 0,6 mm Z140	400	400	200	200	500	0,60	

Note

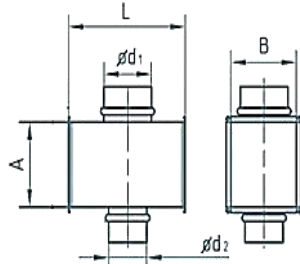
For the other sizes, please contact the commercial department.



RECTANGULAR VENTILATION DUCTS AND FITTINGS INTEGRAL FLANGE CGF

Rectangular T-pieces and crossing T-pieces with integral flange CGF

Four-way pieces with round take-offs R PIXRC



Product Code Model

Explanation:

R PIXRC 400 400 250 250 500 20 CGF 0,6 mm Z140

R PIXRC Type

500 L [mm]

400 A [mm]

20 CGF Flange Class

400 B [mm]

0,6 mm Thickness δ [mm]

250 d₁ [mm]

250 d₂ [mm]

SKU	TYPE	A [mm]	B [mm]	d ₁ [mm]	d ₂ [mm]	L [mm]	Thickness δ [mm]
109422	R PIXRC 400 400 250 250 500 20 CGF 0,6 mm Z140	400	400	250	250	500	0,60
109423	R PIXRC 400 400 300 300 500 20 CGF 0,6 mm Z140	400	400	300	300	500	0,60
109424	R PIXRC 400 400 315 315 500 20 CGF 0,6 mm Z140	400	400	315	315	500	0,60
109425	R PIXRC 400 400 355 355 500 20 CGF 0,6 mm Z140	400	400	355	355	500	0,60
109426	R PIXRC 500 200 125 125 300 20 CGF 0,6 mm Z140	500	200	125	125	300	0,60
109427	R PIXRC 500 200 160 160 300 20 CGF 0,6 mm Z140	500	200	160	160	300	0,60
109428	R PIXRC 500 250 125 125 350 20 CGF 0,6 mm Z140	500	250	125	125	350	0,60
109429	R PIXRC 500 250 160 160 350 20 CGF 0,6 mm Z140	500	250	160	160	350	0,60
109430	R PIXRC 500 250 200 200 350 20 CGF 0,6 mm Z140	500	250	200	200	350	0,60
109431	R PIXRC 500 300 160 160 400 20 CGF 0,6 mm Z140	500	300	160	160	400	0,60
109432	R PIXRC 500 300 200 200 400 20 CGF 0,6 mm Z140	500	300	200	200	400	0,60
109433	R PIXRC 500 300 250 250 400 20 CGF 0,6 mm Z140	500	300	250	250	400	0,60
109434	R PIXRC 500 350 160 160 450 20 CGF 0,6 mm Z140	500	350	160	160	450	0,60
109435	R PIXRC 500 350 200 200 450 20 CGF 0,6 mm Z140	500	350	200	200	450	0,60
109436	R PIXRC 500 350 250 250 450 20 CGF 0,6 mm Z140	500	350	250	250	450	0,60
109437	R PIXRC 500 350 300 300 450 20 CGF 0,6 mm Z140	500	350	300	300	450	0,60
109438	R PIXRC 500 400 160 160 500 20 CGF 0,6 mm Z140	500	400	160	160	500	0,60
109439	R PIXRC 500 400 200 200 500 20 CGF 0,6 mm Z140	500	400	200	200	500	0,60
109440	R PIXRC 500 400 250 250 500 20 CGF 0,6 mm Z140	500	400	250	250	500	0,60
109441	R PIXRC 500 400 300 300 500 20 CGF 0,6 mm Z140	500	400	300	300	500	0,60
109442	R PIXRC 500 400 315 315 500 20 CGF 0,6 mm Z140	500	400	315	315	500	0,60
109443	R PIXRC 500 400 355 355 500 20 CGF 0,6 mm Z140	500	400	355	355	500	0,60
109444	R PIXRC 500 500 160 160 600 20 CGF 0,6 mm Z140	500	500	160	160	600	0,60
109445	R PIXRC 500 500 200 200 600 20 CGF 0,6 mm Z140	500	500	200	200	600	0,60
109446	R PIXRC 500 500 250 250 600 20 CGF 0,6 mm Z140	500	500	250	250	600	0,60
109447	R PIXRC 500 500 300 300 600 20 CGF 0,6 mm Z140	500	500	300	300	600	0,60
109448	R PIXRC 500 500 315 315 600 20 CGF 0,6 mm Z140	500	500	315	315	600	0,60
109449	R PIXRC 500 500 355 355 600 20 CGF 0,6 mm Z140	500	500	355	355	600	0,60
109450	R PIXRC 500 500 400 400 600 20 CGF 0,6 mm Z140	500	500	400	400	600	0,60
109451	R PIXRC 500 500 450 450 600 20 CGF 0,6 mm Z140	500	500	450	450	600	0,60
109452	R PIXRC 600 200 160 160 300 20 CGF 0,6 mm Z140	600	200	160	160	300	0,60
109453	R PIXRC 600 250 160 160 350 20 CGF 0,6 mm Z140	600	250	160	160	350	0,60
109454	R PIXRC 600 250 200 200 350 20 CGF 0,6 mm Z140	600	250	200	200	350	0,60
109455	R PIXRC 600 300 160 160 400 20 CGF 0,6 mm Z140	600	300	160	160	400	0,60
109456	R PIXRC 600 300 200 200 400 20 CGF 0,6 mm Z140	600	300	200	200	400	0,60
109457	R PIXRC 600 300 250 250 400 20 CGF 0,6 mm Z140	600	300	250	250	400	0,60

Note

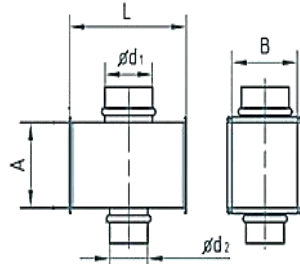
For the other sizes, please contact the commercial department.



RECTANGULAR VENTILATION DUCTS AND FITTINGS INTEGRAL FLANGE CGF

Rectangular T-pieces and crossing T-pieces with integral flange CGF

Four-way pieces with round take-offs R PIXRC



Product Code Model

Explanation:

R PIXRC 600 400 200 200 500 20 CGF 0,6 mm Z140

R PIXRC Type

500 L [mm]

600 A [mm]

20 CGF Flange Class

400 B [mm]

0,6 mm Thickness δ [mm]

200 d_1 [mm]

200 d_2 [mm]

SKU	TYPE	A [mm]	B [mm]	d_1 [mm]	d_2 [mm]	L [mm]	Thickness δ [mm]
109458	R PIXRC 600 400 200 200 500 20 CGF 0,6 mm Z140	600	400	200	200	500	0,60
109459	R PIXRC 600 400 250 250 500 20 CGF 0,6 mm Z140	600	400	250	250	500	0,60
109460	R PIXRC 600 400 300 300 500 20 CGF 0,6 mm Z140	600	400	300	300	500	0,60
109461	R PIXRC 600 400 315 315 500 20 CGF 0,6 mm Z140	600	400	315	315	500	0,60
109462	R PIXRC 600 400 355 355 500 20 CGF 0,6 mm Z140	600	400	355	355	500	0,60
109463	R PIXRC 600 500 200 200 600 20 CGF 0,6 mm Z140	600	500	200	200	600	0,60
109464	R PIXRC 600 500 250 250 600 20 CGF 0,6 mm Z140	600	500	250	250	600	0,60
109465	R PIXRC 600 500 300 300 600 20 CGF 0,6 mm Z140	600	500	300	300	600	0,60
109466	R PIXRC 600 500 315 315 600 20 CGF 0,6 mm Z140	600	500	315	315	600	0,60
109467	R PIXRC 600 500 355 355 600 20 CGF 0,6 mm Z140	600	500	355	355	600	0,60
109468	R PIXRC 600 500 400 400 600 20 CGF 0,6 mm Z140	600	500	400	400	600	0,60
109469	R PIXRC 600 500 450 450 600 20 CGF 0,6 mm Z140	600	500	450	450	600	0,60
109470	R PIXRC 600 600 250 250 700 20 CGF 0,8 mm Z140	600	600	250	250	700	0,80
109471	R PIXRC 600 600 300 300 700 20 CGF 0,8 mm Z140	600	600	300	300	700	0,80
109472	R PIXRC 600 600 315 315 700 20 CGF 0,8 mm Z140	600	600	315	315	700	0,80
109473	R PIXRC 600 600 355 355 700 20 CGF 0,8 mm Z140	600	600	355	355	700	0,80
109474	R PIXRC 600 600 400 400 700 20 CGF 0,8 mm Z140	600	600	400	400	700	0,80
109475	R PIXRC 700 300 200 200 400 20 CGF 0,8 mm Z140	700	300	200	200	400	0,80
109476	R PIXRC 700 300 250 250 400 20 CGF 0,8 mm Z140	700	300	250	250	400	0,80
109477	R PIXRC 700 400 200 200 500 20 CGF 0,8 mm Z140	700	400	200	200	500	0,80
109478	R PIXRC 700 400 250 250 500 20 CGF 0,8 mm Z140	700	400	250	250	500	0,80
109479	R PIXRC 700 500 200 200 600 20 CGF 0,8 mm Z140	700	500	200	200	600	0,80
109480	R PIXRC 700 500 250 250 600 20 CGF 0,8 mm Z140	700	500	250	250	600	0,80
109481	R PIXRC 700 500 315 315 600 20 CGF 0,8 mm Z140	700	500	315	315	600	0,80

Note

For the other sizes, please contact the commercial department.



RECTANGULAR VENTILATION DUCTS AND FITTINGS INTEGRAL FLANGE CGF

Rectangular T-pieces and crossing T-pieces

T-pieces with take-off bend R RALR

with integral flange CGF



Description:

The Type T connection is used for making the derivations with an inclination of 90°

Used Material:

Galvanized steel DX51, Class Z140.

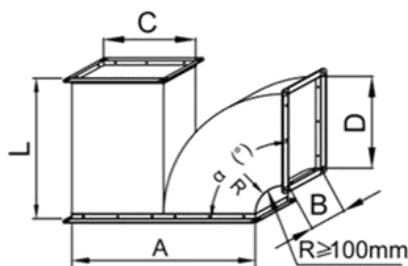
Note:

The thickness of the galvanized sheet varies depending on the fittings size.

Product Code Model

Explanation:

R RALR 300 150 150 150 330 90 100 20 CGF 0,6 mm Z140



Radius $R = 100$
 $\alpha [^\circ] = 90$

R RALR Type **150** D [mm]
300 A [mm] **330** L [mm]
150 B [mm] **20 CGF** Flange Class
150 C [mm] **0,6 mm** Thickness δ [mm]

SKU	TYPE	A [mm]	B [mm]	C [mm]	D [mm]	L [mm]	Thickness δ [mm]
109570	R RALR 300 150 150 150 330 90 100 20 CGF 0,6 mm Z140	300	150	150	150	330	0,60
109571	R RALR 300 200 150 150 330 90 100 20 CGF 0,6 mm Z140	300	200	150	150	330	0,60
109572	R RALR 300 300 150 150 330 90 100 20 CGF 0,6 mm Z140	300	300	150	150	330	0,60
109573	R RALR 400 200 200 200 380 90 100 20 CGF 0,6 mm Z140	400	200	200	200	380	0,60
109574	R RALR 400 200 250 150 330 90 100 20 CGF 0,6 mm Z140	400	200	250	150	330	0,60
109575	R RALR 400 300 200 200 380 90 100 20 CGF 0,6 mm Z140	400	300	200	200	380	0,60
109576	R RALR 400 300 250 150 330 90 100 20 CGF 0,6 mm Z140	400	300	250	150	330	0,60
109577	R RALR 400 400 200 200 380 90 100 20 CGF 0,6 mm Z140	400	400	200	200	380	0,60
109578	R RALR 500 200 250 250 430 90 100 20 CGF 0,6 mm Z140	500	200	250	250	430	0,60
109579	R RALR 500 200 300 200 380 90 100 20 CGF 0,6 mm Z140	500	200	300	200	380	0,60
109580	R RALR 500 250 250 250 430 90 100 20 CGF 0,6 mm Z140	500	250	250	250	430	0,60
109581	R RALR 500 250 300 200 380 90 100 20 CGF 0,6 mm Z140	500	250	300	200	380	0,60
109582	R RALR 500 300 250 250 430 90 100 20 CGF 0,6 mm Z140	500	300	250	250	430	0,60
109583	R RALR 500 300 300 200 380 90 100 20 CGF 0,6 mm Z140	500	300	300	200	380	0,60
109584	R RALR 500 400 250 250 430 90 100 20 CGF 0,6 mm Z140	500	400	250	250	430	0,60
109585	R RALR 500 400 300 200 380 90 100 20 CGF 0,6 mm Z140	500	400	300	200	380	0,60
109586	R RALR 500 500 250 250 430 90 100 20 CGF 0,6 mm Z140	500	500	250	250	430	0,60
109587	R RALR 500 500 300 200 380 90 100 20 CGF 0,6 mm Z140	500	500	300	200	380	0,60
109588	R RALR 600 300 300 300 480 90 100 20 CGF 0,6 mm Z140	600	300	300	300	480	0,60
109589	R RALR 600 300 400 200 380 90 100 20 CGF 0,6 mm Z140	600	300	400	200	380	0,60
109590	R RALR 600 400 300 300 480 90 100 20 CGF 0,6 mm Z140	600	400	300	300	480	0,60
109591	R RALR 600 400 400 200 380 90 100 20 CGF 0,6 mm Z140	600	400	400	200	380	0,60
109592	R RALR 600 500 300 300 480 90 100 20 CGF 0,6 mm Z140	600	500	300	300	480	0,60
109593	R RALR 600 500 400 200 380 90 100 20 CGF 0,6 mm Z140	600	500	400	200	380	0,60
109594	R RALR 600 600 300 300 480 90 100 20 CGF 0,7 mm Z140	600	600	300	300	480	0,70
109595	R RALR 600 600 400 200 380 90 100 20 CGF 0,7 mm Z140	600	600	400	200	380	0,70
109596	R RALR 700 300 350 350 530 90 100 20 CGF 0,7 mm Z140	700	300	350	350	530	0,70
109597	R RALR 700 300 400 300 480 90 100 20 CGF 0,7 mm Z140	700	300	400	300	480	0,70

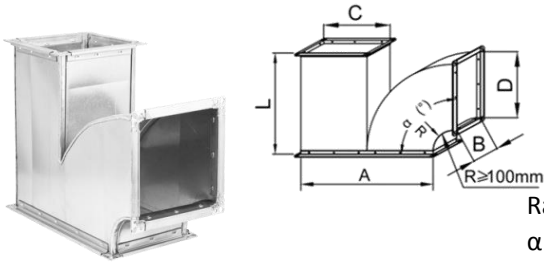
Note

For the other sizes, please contact the commercial department.

RECTANGULAR VENTILATION DUCTS AND FITTINGS INTEGRAL FLANGE CGF

Rectangular T-pieces and crossing T-pieces with integral flange CGF

T-pieces with take-off bend R RALR



Radius R :
α [°] = 90

Product Code Model

Explanation:

R RALR 700 300 500 200 380 90 100 20 CGF 0,7 mm Z140

R RALR	Type	200	D [mm]
700	A [mm]	380	L [mm]
300	B [mm]	20 CGF	Flange Class
500	C [mm]	0,7 mm	Thickness δ [mm]

SKU	TYPE	A [mm]	B [mm]	C [mm]	D [mm]	L [mm]	Thickness δ [mm]
109598	R RALR 700 300 500 200 380 90 100 20 CGF 0,7 mm Z140	700	300	500	200	380	0,70
109599	R RALR 700 400 350 350 530 90 100 20 CGF 0,7 mm Z140	700	400	350	350	530	0,70
109600	R RALR 700 400 400 300 480 90 100 20 CGF 0,7 mm Z140	700	400	400	300	480	0,70
109601	R RALR 700 400 500 200 380 90 100 20 CGF 0,7 mm Z140	700	400	500	200	380	0,70
109602	R RALR 700 500 350 350 530 90 100 20 CGF 0,7 mm Z140	700	500	350	350	530	0,70
109603	R RALR 700 500 400 300 480 90 100 20 CGF 0,7 mm Z140	700	500	400	300	480	0,70
109604	R RALR 700 500 500 200 380 90 100 20 CGF 0,7 mm Z140	700	500	500	200	380	0,70
109605	R RALR 700 600 350 350 530 90 100 20 CGF 0,7 mm Z140	700	600	350	350	530	0,70
109606	R RALR 700 600 400 300 480 90 100 20 CGF 0,7 mm Z140	700	600	400	300	480	0,70
109607	R RALR 700 600 500 200 380 90 100 20 CGF 0,7 mm Z140	700	600	500	200	380	0,70
109608	R RALR 700 700 350 350 530 90 100 20 CGF 0,7 mm Z140	700	700	350	350	530	0,70
109609	R RALR 700 700 400 300 480 90 100 20 CGF 0,7 mm Z140	700	700	400	300	480	0,70
109610	R RALR 800 200 400 400 580 90 100 20 CGF 0,7 mm Z140	800	200	400	400	580	0,70
109611	R RALR 800 200 500 300 480 90 100 20 CGF 0,7 mm Z140	800	200	500	300	480	0,70
109612	R RALR 800 200 600 200 380 90 100 20 CGF 0,7 mm Z140	800	200	600	200	380	0,70
109613	R RALR 800 250 400 400 580 90 100 20 CGF 0,7 mm Z140	800	250	400	400	580	0,70
109614	R RALR 800 250 500 300 480 90 100 20 CGF 0,7 mm Z140	800	250	500	300	480	0,70
109615	R RALR 800 250 600 200 380 90 100 20 CGF 0,7 mm Z140	800	250	600	200	380	0,70
109616	R RALR 800 300 400 400 580 90 100 20 CGF 0,7 mm Z140	800	300	400	400	580	0,70
109617	R RALR 800 300 500 300 480 90 100 20 CGF 0,7 mm Z140	800	300	500	300	480	0,70
109618	R RALR 800 300 600 200 380 90 100 20 CGF 0,7 mm Z140	800	300	600	200	380	0,70
109619	R RALR 800 400 400 400 580 90 100 20 CGF 0,7 mm Z140	800	400	400	400	580	0,70
109620	R RALR 800 400 500 300 480 90 100 20 CGF 0,7 mm Z140	800	400	500	300	480	0,70
109621	R RALR 800 400 600 200 380 90 100 20 CGF 0,7 mm Z140	800	400	600	200	380	0,70
109622	R RALR 800 500 400 400 580 90 100 20 CGF 0,8 mm Z140	800	500	400	400	580	0,80
109623	R RALR 800 500 500 300 480 90 100 20 CGF 0,8 mm Z140	800	500	500	300	480	0,80
109624	R RALR 800 500 600 200 380 90 100 20 CGF 0,8 mm Z140	800	500	600	200	380	0,80
109625	R RALR 800 600 400 400 580 90 100 20 CGF 0,8 mm Z140	800	600	400	400	580	0,80
109626	R RALR 800 600 500 300 480 90 100 20 CGF 0,8 mm Z140	800	600	500	300	480	0,80
109627	R RALR 800 600 600 200 380 90 100 20 CGF 0,8 mm Z140	800	600	600	200	380	0,80
109628	R RALR 800 700 400 400 580 90 100 20 CGF 0,8 mm Z140	800	700	400	400	580	0,80
109629	R RALR 800 700 500 300 480 90 100 20 CGF 0,8 mm Z140	800	700	500	300	480	0,80
109630	R RALR 800 800 400 400 580 90 100 20 CGF 0,8 mm Z140	800	800	400	400	580	0,80
109631	R RALR 800 800 500 300 480 90 100 20 CGF 0,8 mm Z140	800	800	500	300	480	0,80
109632	R RALR 900 300 500 400 580 90 100 20 CGF 0,8 mm Z140	900	300	500	400	580	0,80
109633	R RALR 900 300 600 300 480 90 100 20 CGF 0,8 mm Z140	900	300	600	300	480	0,80

Note

For the other sizes, please contact the commercial department.

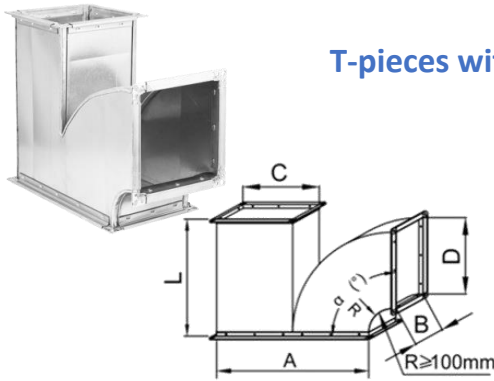


RECTANGULAR VENTILATION DUCTS AND FITTINGS INTEGRAL FLANGE CGF

Rectangular T-pieces and crossing T-pieces

T-pieces with take-off bend R RALR

with integral flange CGF



Product Code Model

Explanation:

R RALR 900 400 500 400 580 90 100 20 CGF 0,8 mm Z140

R RALR	Type	400	D [mm]
900	A [mm]	580	L [mm]
400	B [mm]	20	CGF Flange Class
500	C [mm]	0,8 mm	Thickness δ [mm]

Radius R : **400**
α [°] = **90**

SKU	TYPE	A [mm]	B [mm]	C [mm]	D [mm]	L [mm]	Thickness δ [mm]
109634	R RALR 900 400 500 400 580 90 100 20 CGF 0,8 mm Z140	900	400	500	400	580	0,80
109635	R RALR 900 400 600 300 480 90 100 20 CGF 0,8 mm Z140	900	400	600	300	480	0,80
109636	R RALR 900 500 500 400 580 90 100 20 CGF 0,8 mm Z140	900	500	500	400	580	0,80
109637	R RALR 900 500 600 300 480 90 100 20 CGF 0,8 mm Z140	900	500	600	300	480	0,80
109638	R RALR 900 600 500 400 580 90 100 20 CGF 0,8 mm Z140	900	600	500	400	580	0,80
109639	R RALR 900 600 600 300 480 90 100 20 CGF 0,8 mm Z140	900	600	600	300	480	0,80
109640	R RALR 900 700 500 400 580 90 100 20 CGF 0,8 mm Z140	900	700	500	400	580	0,80
109641	R RALR 900 700 600 300 480 90 100 20 CGF 0,8 mm Z140	900	700	600	300	480	0,80
109642	R RALR 900 800 500 400 580 90 100 20 CGF 0,8 mm Z140	900	800	500	400	580	0,80
109643	R RALR 900 800 600 300 480 90 100 20 CGF 0,8 mm Z140	900	800	600	300	480	0,80
109644	R RALR 900 900 500 400 580 90 100 20 CGF 0,8 mm Z140	900	900	500	400	580	0,80
109645	R RALR 900 900 600 300 480 90 100 20 CGF 0,8 mm Z140	900	900	600	300	480	0,80
109646	R RALR 1000 350 500 500 680 90 100 20 CGF 0,8 mm Z140	1000	350	500	500	680	0,80
109647	R RALR 1000 350 600 400 580 90 100 20 CGF 0,8 mm Z140	1000	350	600	400	580	0,80
109648	R RALR 1000 350 700 300 480 90 100 20 CGF 0,8 mm Z140	1000	350	700	300	480	0,80
109649	R RALR 1000 400 500 500 680 90 100 20 CGF 0,8 mm Z140	1000	400	500	500	680	0,80
109650	R RALR 1000 400 600 400 580 90 100 20 CGF 0,8 mm Z140	1000	400	600	400	580	0,80
109651	R RALR 1000 400 700 300 480 90 100 20 CGF 0,8 mm Z140	1000	400	700	300	480	0,80
109652	R RALR 1000 500 500 500 680 90 100 30 CGF 1 mm Z140	1000	500	500	500	680	1,00
109653	R RALR 1000 500 600 400 580 90 100 30 CGF 1 mm Z140	1000	500	600	400	580	1,00
109654	R RALR 1000 500 700 300 480 90 100 30 CGF 1 mm Z140	1000	500	700	300	480	1,00
109655	R RALR 1000 600 500 500 680 90 100 30 CGF 1 mm Z140	1000	600	500	500	680	1,00
109656	R RALR 1000 600 600 400 580 90 100 30 CGF 1 mm Z140	1000	600	600	400	580	1,00
109657	R RALR 1000 600 700 300 480 90 100 30 CGF 1 mm Z140	1000	600	700	300	480	1,00

Note

For the other sizes, please contact the commercial department.



RECTANGULAR VENTILATION DUCTS AND FITTINGS INTEGRAL FLANGE CGF

Rectangular T-pieces and crossing T-pieces

Four-way pieces with square take-offs R TER

with integral flange CGF



Description:

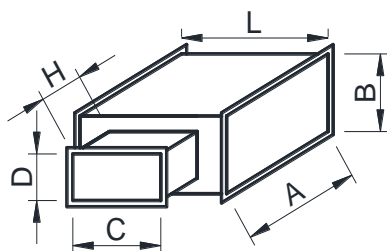
The Type T connection is used for making the derivations with an inclination of 90°

Used Material:

Galvanized steel DX51, Class Z140.

Note:

The thickness of the galvanized sheet varies depending on the fittings size.



H [mm] = 100

Product Code Model

Explanation:

R TER 150 150 150 100 100 350 20 CGF 0,5 mm Z140

R TER Type **100** D [mm]
150 A [mm] **350** L [mm]
150 B [mm] **20** CGF Flange Class
150 C [mm] **0,5 mm** Thickness δ [mm]

SKU	TYPE	A [mm]	B [mm]	C [mm]	D [mm]	L [mm]	Thickness δ [mm]
109658	R TER 150 150 150 100 100 350 20 CGF 0,5 mm Z140	150	150	150	100	350	0,50
109659	R TER 200 100 150 100 100 350 20 CGF 0,5 mm Z140	200	100	150	100	350	0,50
109660	R TER 200 150 150 100 100 350 20 CGF 0,5 mm Z140	200	150	150	100	350	0,50
109661	R TER 200 150 150 150 100 350 20 CGF 0,5 mm Z140	200	150	150	150	350	0,50
109662	R TER 200 200 150 100 100 350 20 CGF 0,5 mm Z140	200	200	150	100	350	0,50
109663	R TER 200 200 150 150 100 350 20 CGF 0,5 mm Z140	200	200	150	150	350	0,50
109664	R TER 200 200 200 100 100 400 20 CGF 0,5 mm Z140	200	200	200	100	400	0,50
109665	R TER 200 200 200 150 100 400 20 CGF 0,5 mm Z140	200	200	200	150	400	0,50
109666	R TER 250 150 150 100 100 350 20 CGF 0,5 mm Z140	250	150	150	100	350	0,50
109667	R TER 250 150 150 150 100 350 20 CGF 0,5 mm Z140	250	150	150	150	350	0,50
109668	R TER 250 150 200 100 100 400 20 CGF 0,5 mm Z140	250	150	200	100	400	0,50
109669	R TER 250 150 200 150 100 400 20 CGF 0,5 mm Z140	250	150	200	150	400	0,50
109670	R TER 250 200 150 100 100 350 20 CGF 0,5 mm Z140	250	200	150	100	350	0,50
109671	R TER 250 200 150 150 100 350 20 CGF 0,5 mm Z140	250	200	150	150	350	0,50
109672	R TER 250 200 200 100 100 400 20 CGF 0,5 mm Z140	250	200	200	100	400	0,50
109673	R TER 250 200 200 150 100 400 20 CGF 0,5 mm Z140	250	200	200	150	400	0,50
109674	R TER 250 200 250 150 100 450 20 CGF 0,5 mm Z140	250	200	250	150	450	0,50
109675	R TER 250 250 150 100 100 350 20 CGF 0,5 mm Z140	250	250	150	100	350	0,50
109676	R TER 250 250 150 150 100 350 20 CGF 0,5 mm Z140	250	250	150	150	350	0,50
109677	R TER 250 250 200 100 100 400 20 CGF 0,5 mm Z140	250	250	200	100	400	0,50
109678	R TER 250 250 200 150 100 400 20 CGF 0,5 mm Z140	250	250	200	150	400	0,50
109679	R TER 250 250 250 150 100 450 20 CGF 0,5 mm Z140	250	250	250	150	450	0,50
109680	R TER 250 250 250 200 100 450 20 CGF 0,5 mm Z140	250	250	250	200	450	0,50
109681	R TER 300 150 200 100 100 400 20 CGF 0,6 mm Z140	300	150	200	100	400	0,60
109682	R TER 300 150 200 150 100 400 20 CGF 0,6 mm Z140	300	150	200	150	400	0,60
109683	R TER 300 150 250 150 100 450 20 CGF 0,6 mm Z140	300	150	250	150	450	0,60
109684	R TER 300 200 200 150 100 400 20 CGF 0,6 mm Z140	300	200	200	150	400	0,60
109685	R TER 300 200 200 200 100 400 20 CGF 0,6 mm Z140	300	200	200	200	400	0,60

Note

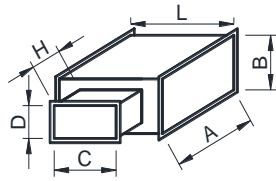
For the other sizes, please contact the commercial department.



RECTANGULAR VENTILATION DUCTS AND FITTINGS INTEGRAL FLANGE CGF

Rectangular T-pieces and crossing T-pieces with integral flange CGF

Four-way pieces with square take-offs R TER



H [mm] = 100

Product Code Model

Explanation:

R TER 300 200 250 150 100 450 20 CGF 0,6 mm Z140

R TER Type **150** D [mm]
300 A [mm] **450** L [mm]
200 B [mm] **20 CGF** Flange Class
250 C [mm] **0,6 mm** Thickness δ [mm]

SKU	TYPE	A [mm]	B [mm]	C [mm]	D [mm]	L [mm]	Thickness δ [mm]
109686	R TER 300 200 250 150 100 450 20 CGF 0,6 mm Z140	300	200	250	150	450	0,60
109687	R TER 300 200 250 200 100 450 20 CGF 0,6 mm Z140	300	200	250	200	450	0,60
109688	R TER 300 250 200 150 100 400 20 CGF 0,6 mm Z140	300	250	200	150	400	0,60
109689	R TER 300 250 200 200 100 400 20 CGF 0,6 mm Z140	300	250	200	200	400	0,60
109690	R TER 300 250 250 150 100 450 20 CGF 0,6 mm Z140	300	250	250	150	450	0,60
109691	R TER 300 250 250 200 100 450 20 CGF 0,6 mm Z140	300	250	250	200	450	0,60
109692	R TER 300 250 250 250 100 450 20 CGF 0,6 mm Z140	300	250	250	250	450	0,60
109693	R TER 300 300 200 150 100 400 20 CGF 0,6 mm Z140	300	300	200	150	400	0,60
109694	R TER 300 300 200 200 100 400 20 CGF 0,6 mm Z140	300	300	200	200	400	0,60
109695	R TER 300 300 250 150 100 450 20 CGF 0,6 mm Z140	300	300	250	150	450	0,60
109696	R TER 300 300 250 200 100 450 20 CGF 0,6 mm Z140	300	300	250	200	450	0,60
109697	R TER 300 300 250 250 100 450 20 CGF 0,6 mm Z140	300	300	250	250	450	0,60
109698	R TER 300 300 300 150 100 500 20 CGF 0,6 mm Z140	300	300	300	150	500	0,60
109699	R TER 300 300 300 200 100 500 20 CGF 0,6 mm Z140	300	300	300	200	500	0,60
109700	R TER 300 300 300 250 100 500 20 CGF 0,6 mm Z140	300	300	300	250	500	0,60
109701	R TER 400 200 200 150 100 400 20 CGF 0,6 mm Z140	400	200	200	150	400	0,60
109702	R TER 400 200 200 200 100 400 20 CGF 0,6 mm Z140	400	200	200	200	400	0,60
109703	R TER 400 200 250 150 100 450 20 CGF 0,6 mm Z140	400	200	250	150	450	0,60
109704	R TER 400 200 250 200 100 450 20 CGF 0,6 mm Z140	400	200	250	200	450	0,60
109705	R TER 400 200 300 150 100 500 20 CGF 0,6 mm Z140	400	200	300	150	500	0,60
109706	R TER 400 200 300 200 100 500 20 CGF 0,6 mm Z140	400	200	300	200	500	0,60
109707	R TER 400 250 200 150 100 400 20 CGF 0,6 mm Z140	400	250	200	150	400	0,60
109708	R TER 400 250 200 200 100 400 20 CGF 0,6 mm Z140	400	250	200	200	400	0,60
109709	R TER 400 250 250 150 100 450 20 CGF 0,6 mm Z140	400	250	250	150	450	0,60
109710	R TER 400 250 250 200 100 450 20 CGF 0,6 mm Z140	400	250	250	200	450	0,60
109711	R TER 400 250 250 250 100 450 20 CGF 0,6 mm Z140	400	250	250	250	450	0,60
109712	R TER 400 250 300 150 100 500 20 CGF 0,6 mm Z140	400	250	300	150	500	0,60
109713	R TER 400 250 300 200 100 500 20 CGF 0,6 mm Z140	400	250	300	200	500	0,60
109714	R TER 400 250 300 250 100 500 20 CGF 0,6 mm Z140	400	250	300	250	500	0,60
109715	R TER 400 250 400 200 100 600 20 CGF 0,6 mm Z140	400	250	400	200	600	0,60
109716	R TER 400 300 200 150 100 400 20 CGF 0,6 mm Z140	400	300	200	150	400	0,60
109717	R TER 400 300 200 200 100 400 20 CGF 0,6 mm Z140	400	300	200	200	400	0,60
109718	R TER 400 300 250 150 100 450 20 CGF 0,6 mm Z140	400	300	250	150	450	0,60
109719	R TER 400 300 250 200 100 450 20 CGF 0,6 mm Z140	400	300	250	200	450	0,60
109720	R TER 400 300 250 250 100 450 20 CGF 0,6 mm Z140	400	300	250	250	450	0,60
109721	R TER 400 300 300 150 100 500 20 CGF 0,6 mm Z140	400	300	300	150	500	0,60

Note

For the other sizes, please contact the commercial department.

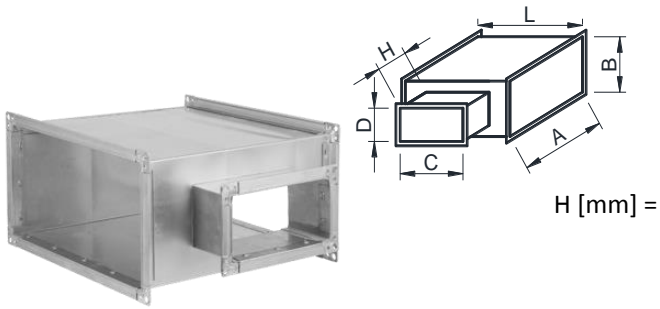


RECTANGULAR VENTILATION DUCTS AND FITTINGS INTEGRAL FLANGE CGF

Rectangular T-pieces and crossing T-pieces

Four-way pieces with square take-offs R TER

with integral flange CGF



Product Code Model

Explanation:

R TER 400 300 300 200 100 500 20 CGF 0,6 mm Z140

R TER Type **200** D [mm]
400 A [mm] **500** L [mm]
300 B [mm] **20 CGF** Flange Class
300 C [mm] **0,6 mm** Thickness δ [mm]

SKU	TYPE	A [mm]	B [mm]	C [mm]	D [mm]	L [mm]	Thickness δ [mm]
109722	R TER 400 300 300 200 100 500 20 CGF 0,6 mm Z140	400	300	300	200	500	0,60
109723	R TER 400 300 300 250 100 500 20 CGF 0,6 mm Z140	400	300	300	250	500	0,60
109724	R TER 400 300 300 300 100 500 20 CGF 0,6 mm Z140	400	300	300	300	500	0,60
109725	R TER 400 300 400 200 100 600 20 CGF 0,6 mm Z140	400	300	400	200	600	0,60
109726	R TER 400 400 300 150 100 500 20 CGF 0,6 mm Z140	400	400	300	150	500	0,60
109727	R TER 400 400 300 200 100 500 20 CGF 0,6 mm Z140	400	400	300	200	500	0,60
109728	R TER 400 400 300 300 100 500 20 CGF 0,6 mm Z140	400	400	300	300	500	0,60
109729	R TER 400 400 400 200 100 600 20 CGF 0,6 mm Z140	400	400	400	200	600	0,60
109730	R TER 400 400 400 250 100 600 20 CGF 0,6 mm Z140	400	400	400	250	600	0,60
109731	R TER 400 400 400 300 100 600 20 CGF 0,6 mm Z140	400	400	400	300	600	0,60
109732	R TER 500 200 300 150 100 500 20 CGF 0,6 mm Z140	500	200	300	150	500	0,60
109733	R TER 500 200 300 200 100 500 20 CGF 0,6 mm Z140	500	200	300	200	500	0,60
109734	R TER 500 200 400 200 100 600 20 CGF 0,6 mm Z140	500	200	400	200	600	0,60
109735	R TER 500 250 300 200 100 500 20 CGF 0,6 mm Z140	500	250	300	200	500	0,60
109736	R TER 500 250 400 200 100 600 20 CGF 0,6 mm Z140	500	250	400	200	600	0,60
109737	R TER 500 250 400 250 100 600 20 CGF 0,6 mm Z140	500	250	400	250	600	0,60
109738	R TER 500 250 500 200 100 700 20 CGF 0,6 mm Z140	500	250	500	200	700	0,60
109739	R TER 500 300 300 200 100 500 20 CGF 0,6 mm Z140	500	300	300	200	500	0,60
109740	R TER 500 300 400 200 100 600 20 CGF 0,6 mm Z140	500	300	400	200	600	0,60
109741	R TER 500 300 400 250 100 600 20 CGF 0,6 mm Z140	500	300	400	250	600	0,60
109742	R TER 500 300 400 300 100 600 20 CGF 0,6 mm Z140	500	300	400	300	600	0,60
109743	R TER 500 300 500 200 100 700 20 CGF 0,6 mm Z140	500	300	500	200	700	0,60
109744	R TER 500 400 400 200 100 600 20 CGF 0,6 mm Z140	500	400	400	200	600	0,60
109745	R TER 500 400 400 250 100 600 20 CGF 0,6 mm Z140	500	400	400	250	600	0,60

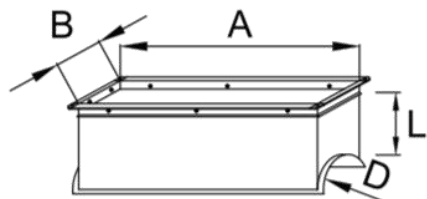
Note

For the other sizes, please contact the commercial department.

RECTANGULAR VENTILATION DUCTS AND FITTINGS INTEGRAL FLANGE CGF

Collars and T-pieces
with integral flange CGF

Collar on circular duct R RARC



Description:

The collar is used for connection to circular duct. The rectangular end is provided with joining profiles type.

Used Material:

Galvanized steel DX51, Class Z140.

Note:

The thickness of the galvanized sheet varies depending on the fittings size.

Product Code Model

Explanation:

R RARC 150 100 100 125 20 CGF 0,5 mm Z140

R RARC Type	125 D [mm]
150 A [mm]	20 CGF Flange Class
100 B [mm]	0,5 mm Thickness δ [mm]
100 L [mm]	

SKU	TYPE	A [mm]	B [mm]	D [mm]	L [mm]	Thickness δ [mm]		
109746	R RARC 150 100 100 125 20 CGF 0,5 mm Z140	150	100	125	100	0,50		
109747	R RARC 150 100 100 160 20 CGF 0,5 mm Z140	150	100	160	100	0,50		
109748	R RARC 150 100 100 200 20 CGF 0,5 mm Z140	150	100	200	100	0,50		
109749	R RARC 150 100 100 250 20 CGF 0,5 mm Z140	150	100	250	100	0,50		
109750	R RARC 150 100 100 300 20 CGF 0,5 mm Z140	150	100	300	100	0,50		
109751	R RARC 150 100 100 315 20 CGF 0,5 mm Z140	150	100	315	100	0,50		
109752	R RARC 150 150 100 160 20 CGF 0,5 mm Z140	150	150	160	100	0,50		
109753	R RARC 150 150 100 200 20 CGF 0,5 mm Z140	150	150	200	100	0,50		
109754	R RARC 150 150 100 250 20 CGF 0,5 mm Z140	150	150	250	100	0,50		
109755	R RARC 150 150 100 300 20 CGF 0,5 mm Z140	150	150	300	100	0,50		
109756	R RARC 150 150 100 315 20 CGF 0,5 mm Z140	150	150	315	100	0,50		
109757	R RARC 200 100 100 160 20 CGF 0,5 mm Z140	200	100	160	100	0,50		
109758	R RARC 200 100 100 200 20 CGF 0,5 mm Z140	200	100	200	100	0,50		
109759	R RARC 200 100 100 250 20 CGF 0,5 mm Z140	200	100	250	100	0,50		
109760	R RARC 200 100 100 300 20 CGF 0,5 mm Z140	200	100	300	100	0,50		
109761	R RARC 200 100 100 315 20 CGF 0,5 mm Z140	200	100	315	100	0,50		
109762	R RARC 200 150 100 160 20 CGF 0,5 mm Z140	200	150	160	100	0,50		
109763	R RARC 200 150 100 200 20 CGF 0,5 mm Z140	200	150	200	100	0,50		
109764	R RARC 200 150 100 250 20 CGF 0,5 mm Z140	200	150	250	100	0,50		
109765	R RARC 200 150 100 300 20 CGF 0,5 mm Z140	200	150	300	100	0,50		
109766	R RARC 200 150 100 315 20 CGF 0,5 mm Z140	200	150	315	100	0,50		
109767	R RARC 200 200 100 200 20 CGF 0,5 mm Z140	200	200	200	100	0,50		
109768	R RARC 200 200 100 250 20 CGF 0,5 mm Z140	200	200	250	100	0,50		
109769	R RARC 200 200 100 300 20 CGF 0,5 mm Z140	200	200	300	100	0,50		
109770	R RARC 200 200 100 315 20 CGF 0,5 mm Z140	200	200	315	100	0,50		
109771	R RARC 250 150 100 160 20 CGF 0,5 mm Z140	250	150	160	100	0,50		
109772	R RARC 250 150 100 200 20 CGF 0,5 mm Z140	250	150	200	100	0,50		
109773	R RARC 250 150 100 250 20 CGF 0,5 mm Z140	250	150	250	100	0,50		

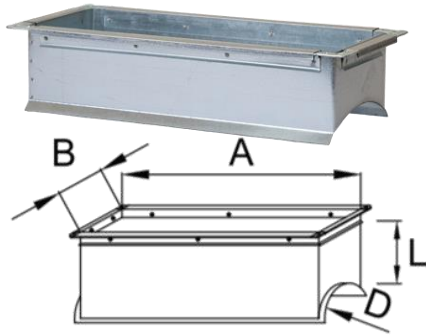
Note

For the other sizes, please contact the commercial department.

RECTANGULAR VENTILATION DUCTS AND FITTINGS INTEGRAL FLANGE CGF

Collars and T-pieces with integral flange CGF

Collar on circular duct R RARC



Product Code Model

Explanation:

R RARC 250 150 100 300 20 CGF 0,5 mm Z140

R RARC Type

300 D [mm]

250 A [mm]

20 CGF Flange Class

150 B [mm]

0,5 mm Thickness δ [mm]

100 L [mm]

SKU	TYPE	A [mm]	B [mm]	D [mm]	L [mm]	Thickness δ [mm]		
109774	R RARC 250 150 100 300 20 CGF 0,5 mm Z140	250	150	300	100	0,50		
109775	R RARC 250 150 100 315 20 CGF 0,5 mm Z140	250	150	315	100	0,50		
109776	R RARC 250 200 100 200 20 CGF 0,5 mm Z140	250	200	200	100	0,50		
109777	R RARC 250 200 100 250 20 CGF 0,5 mm Z140	250	200	250	100	0,50		
109778	R RARC 250 200 100 300 20 CGF 0,5 mm Z140	250	200	300	100	0,50		
109779	R RARC 250 200 100 315 20 CGF 0,5 mm Z140	250	200	315	100	0,50		
109780	R RARC 250 200 100 355 20 CGF 0,5 mm Z140	250	200	355	100	0,50		
109781	R RARC 250 200 100 400 20 CGF 0,5 mm Z140	250	200	400	100	0,50		
109782	R RARC 250 250 100 250 20 CGF 0,5 mm Z140	250	250	250	100	0,50		
109783	R RARC 250 250 100 300 20 CGF 0,5 mm Z140	250	250	300	100	0,50		
109784	R RARC 250 250 100 315 20 CGF 0,5 mm Z140	250	250	315	100	0,50		
109785	R RARC 250 250 100 355 20 CGF 0,5 mm Z140	250	250	355	100	0,50		
109786	R RARC 250 250 100 400 20 CGF 0,5 mm Z140	250	250	400	100	0,50		
109787	R RARC 300 150 100 200 20 CGF 0,6 mm Z140	300	150	200	100	0,60		
109788	R RARC 300 150 100 250 20 CGF 0,6 mm Z140	300	150	250	100	0,60		
109789	R RARC 300 150 100 300 20 CGF 0,6 mm Z140	300	150	300	100	0,60		
109790	R RARC 300 150 100 315 20 CGF 0,6 mm Z140	300	150	315	100	0,60		
109791	R RARC 300 150 100 355 20 CGF 0,6 mm Z140	300	150	355	100	0,60		
109792	R RARC 300 150 100 400 20 CGF 0,6 mm Z140	300	150	400	100	0,60		
109793	R RARC 300 150 100 450 20 CGF 0,6 mm Z140	300	150	450	100	0,60		
109794	R RARC 300 150 100 500 20 CGF 0,6 mm Z140	300	150	500	100	0,60		
109795	R RARC 300 200 100 200 20 CGF 0,6 mm Z140	300	200	200	100	0,60		
109796	R RARC 300 200 100 250 20 CGF 0,6 mm Z140	300	200	250	100	0,60		
109797	R RARC 300 200 100 300 20 CGF 0,6 mm Z140	300	200	300	100	0,60		
109798	R RARC 300 200 100 315 20 CGF 0,6 mm Z140	300	200	315	100	0,60		
109799	R RARC 300 200 100 355 20 CGF 0,6 mm Z140	300	200	355	100	0,60		
109800	R RARC 300 200 100 400 20 CGF 0,6 mm Z140	300	200	400	100	0,60		
109801	R RARC 300 200 100 450 20 CGF 0,6 mm Z140	300	200	450	100	0,60		
109802	R RARC 300 200 100 500 20 CGF 0,6 mm Z140	300	200	500	100	0,60		
109803	R RARC 300 250 100 250 20 CGF 0,6 mm Z140	300	250	250	100	0,60		
109804	R RARC 300 250 100 300 20 CGF 0,6 mm Z140	300	250	300	100	0,60		
109805	R RARC 300 250 100 315 20 CGF 0,6 mm Z140	300	250	315	100	0,60		
109806	R RARC 300 250 100 355 20 CGF 0,6 mm Z140	300	250	355	100	0,60		
109807	R RARC 300 250 100 400 20 CGF 0,6 mm Z140	300	250	400	100	0,60		
109808	R RARC 300 250 100 450 20 CGF 0,6 mm Z140	300	250	450	100	0,60		
109809	R RARC 300 250 100 500 20 CGF 0,6 mm Z140	300	250	500	100	0,60		

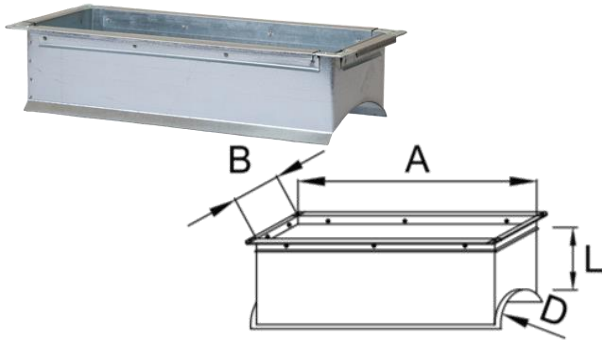
Note

For the other sizes, please contact the commercial department.

RECTANGULAR VENTILATION DUCTS AND FITTINGS INTEGRAL FLANGE CGF

Collars and T-pieces

Collar on circular duct R RARC



Product Code Model

Explanation:

R RARC 300 300 100 300 20 CGF 0,6 mm Z140

R RARC Type

300 D [mm]

300 A [mm]

20 CGF Flange Class

300 B [mm]

0,6 mm Thickness δ [mm]

100 L [mm]

SKU	TYPE	A [mm]	B [mm]	D [mm]	L [mm]	Thickness δ [mm]		
109810	R RARC 300 300 100 300 20 CGF 0,6 mm Z140	300	300	300	100	0,60		
109811	R RARC 300 300 100 315 20 CGF 0,6 mm Z140	300	300	315	100	0,60		
109812	R RARC 300 300 100 355 20 CGF 0,6 mm Z140	300	300	355	100	0,60		
109813	R RARC 300 300 100 400 20 CGF 0,6 mm Z140	300	300	400	100	0,60		
109814	R RARC 300 300 100 450 20 CGF 0,6 mm Z140	300	300	450	100	0,60		
109815	R RARC 300 300 100 500 20 CGF 0,6 mm Z140	300	300	500	100	0,60		
109816	R RARC 400 200 100 300 20 CGF 0,6 mm Z140	400	200	300	100	0,60		
109817	R RARC 400 200 100 315 20 CGF 0,6 mm Z140	400	200	315	100	0,60		
109818	R RARC 400 200 100 355 20 CGF 0,6 mm Z140	400	200	355	100	0,60		
109819	R RARC 400 200 100 400 20 CGF 0,6 mm Z140	400	200	400	100	0,60		
109820	R RARC 400 200 100 450 20 CGF 0,6 mm Z140	400	200	450	100	0,60		
109821	R RARC 400 200 100 500 20 CGF 0,6 mm Z140	400	200	500	100	0,60		
109822	R RARC 400 250 100 300 20 CGF 0,6 mm Z140	400	250	300	100	0,60		
109823	R RARC 400 250 100 315 20 CGF 0,6 mm Z140	400	250	315	100	0,60		
109824	R RARC 400 250 100 355 20 CGF 0,6 mm Z140	400	250	355	100	0,60		
109825	R RARC 400 250 100 400 20 CGF 0,6 mm Z140	400	250	400	100	0,60		
109826	R RARC 400 250 100 450 20 CGF 0,6 mm Z140	400	250	450	100	0,60		
109827	R RARC 400 250 100 500 20 CGF 0,6 mm Z140	400	250	500	100	0,60		
109828	R RARC 400 300 100 300 20 CGF 0,6 mm Z140	400	300	300	100	0,60		
109829	R RARC 400 300 100 315 20 CGF 0,6 mm Z140	400	300	315	100	0,60		
109830	R RARC 400 300 100 355 20 CGF 0,6 mm Z140	400	300	355	100	0,60		
109831	R RARC 400 300 100 400 20 CGF 0,6 mm Z140	400	300	400	100	0,60		
109832	R RARC 400 300 100 450 20 CGF 0,6 mm Z140	400	300	450	100	0,60		
109833	R RARC 400 300 100 500 20 CGF 0,6 mm Z140	400	300	500	100	0,60		
109834	R RARC 400 400 100 400 20 CGF 0,6 mm Z140	400	400	400	100	0,60		
109835	R RARC 400 400 100 450 20 CGF 0,6 mm Z140	400	400	450	100	0,60		
109836	R RARC 400 400 100 500 20 CGF 0,6 mm Z140	400	400	500	100	0,60		
109837	R RARC 500 200 100 315 20 CGF 0,6 mm Z140	500	200	315	100	0,60		
109838	R RARC 500 200 100 355 20 CGF 0,6 mm Z140	500	200	355	100	0,60		
109839	R RARC 500 200 100 400 20 CGF 0,6 mm Z140	500	200	400	100	0,60		
109840	R RARC 500 200 100 450 20 CGF 0,6 mm Z140	500	200	450	100	0,60		
109841	R RARC 500 200 100 500 20 CGF 0,6 mm Z140	500	200	500	100	0,60		
109842	R RARC 500 250 100 315 20 CGF 0,6 mm Z140	500	250	315	100	0,60		
109843	R RARC 500 250 100 355 20 CGF 0,6 mm Z140	500	250	355	100	0,60		
109844	R RARC 500 250 100 400 20 CGF 0,6 mm Z140	500	250	400	100	0,60		
109845	R RARC 500 250 100 450 20 CGF 0,6 mm Z140	500	250	450	100	0,60		

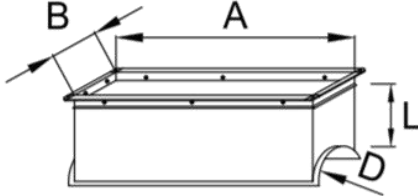
Note

For the other sizes, please contact the commercial department.

RECTANGULAR VENTILATION DUCTS AND FITTINGS INTEGRAL FLANGE CGF

Collars and T-pieces

Collar on circular duct R RARC



Product Code Model

Explanation:

R RARC 500 250 100 500 20 CGF 0,6 mm Z140

R RARC Type

500 D [mm]

500 A [mm]

20 CGF Flange Class

250 B [mm]

0,6 mm Thickness δ [mm]

100 L [mm]

SKU	TYPE	A [mm]	B [mm]	D [mm]	L [mm]	Thickness δ [mm]		
109846	R RARC 500 250 100 500 20 CGF 0,6 mm Z140	500	250	500	100	0,60		
109847	R RARC 500 300 100 315 20 CGF 0,6 mm Z140	500	300	315	100	0,60		
109848	R RARC 500 300 100 355 20 CGF 0,6 mm Z140	500	300	355	100	0,60		
109849	R RARC 500 300 100 400 20 CGF 0,6 mm Z140	500	300	400	100	0,60		
109850	R RARC 500 300 100 450 20 CGF 0,6 mm Z140	500	300	450	100	0,60		
109851	R RARC 500 300 100 500 20 CGF 0,6 mm Z140	500	300	500	100	0,60		
109852	R RARC 500 350 100 355 20 CGF 0,6 mm Z140	500	350	355	100	0,60		
109853	R RARC 500 350 100 400 20 CGF 0,6 mm Z140	500	350	400	100	0,60		
109854	R RARC 500 350 100 450 20 CGF 0,6 mm Z140	500	350	450	100	0,60		
109855	R RARC 500 350 100 500 20 CGF 0,6 mm Z140	500	350	500	100	0,60		

Note

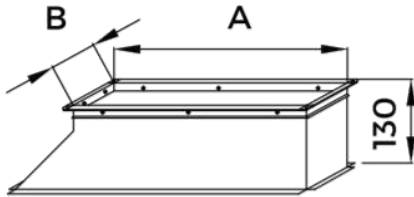
For the other sizes, please contact the commercial department.



RECTANGULAR VENTILATION DUCTS AND FITTINGS INTEGRAL FLANGE CGF

Collars and T-pieces

Collar R RARR



H [mm] = 130

Description:

The collar is used for connection to rectangular duct. The rectangular end is provided with joining profiles type.

Used Material:

Galvanized steel DX51, Class Z140.

Note:

The thickness of the galvanized sheet varies depending on the fittings size.

Product Code Model

Explanation:

R RARR 150 100 130 20 CGF 0,5 mm Z140

R RARR Type

20 CGF Flange Class

150 A [mm]

0,5 mm Thickness δ [mm]

100 B [mm]

130 H [mm]

SKU	TYPE	A [mm]	B [mm]	Thickness δ [mm]				
109856	R RARR 150 100 130 20 CGF 0,5 mm Z140	150	100	0,50				
109857	R RARR 150 150 130 20 CGF 0,5 mm Z140	150	150	0,50				
109858	R RARR 200 100 130 20 CGF 0,5 mm Z140	200	100	0,50				
109859	R RARR 200 150 130 20 CGF 0,5 mm Z140	200	150	0,50				
109860	R RARR 200 200 130 20 CGF 0,5 mm Z140	200	200	0,50				
109861	R RARR 250 150 130 20 CGF 0,5 mm Z140	250	150	0,50				
109862	R RARR 250 200 130 20 CGF 0,5 mm Z140	250	200	0,50				
109863	R RARR 250 250 130 20 CGF 0,5 mm Z140	250	250	0,50				
109864	R RARR 300 150 130 20 CGF 0,6 mm Z140	300	150	0,60				
109865	R RARR 300 200 130 20 CGF 0,6 mm Z140	300	200	0,60				
109866	R RARR 300 250 130 20 CGF 0,6 mm Z140	300	250	0,60				
109867	R RARR 300 300 130 20 CGF 0,6 mm Z140	300	300	0,60				
109868	R RARR 400 200 130 20 CGF 0,6 mm Z140	400	200	0,60				
109869	R RARR 400 250 130 20 CGF 0,6 mm Z140	400	250	0,60				
109870	R RARR 400 300 130 20 CGF 0,6 mm Z140	400	300	0,60				
109871	R RARR 400 400 130 20 CGF 0,6 mm Z140	400	400	0,60				
109872	R RARR 500 200 130 20 CGF 0,6 mm Z140	500	200	0,60				
109873	R RARR 500 250 130 20 CGF 0,6 mm Z140	500	250	0,60				
109874	R RARR 500 300 130 20 CGF 0,6 mm Z140	500	300	0,60				
109875	R RARR 500 350 130 20 CGF 0,6 mm Z140	500	350	0,60				
109876	R RARR 500 400 130 20 CGF 0,6 mm Z140	500	400	0,60				
109877	R RARR 500 500 130 20 CGF 0,6 mm Z140	500	500	0,60				
109878	R RARR 600 200 130 20 CGF 0,6 mm Z140	600	200	0,60				
109879	R RARR 600 250 130 20 CGF 0,6 mm Z140	600	250	0,60				
109880	R RARR 600 300 130 20 CGF 0,6 mm Z140	600	300	0,60				
109881	R RARR 600 400 130 20 CGF 0,6 mm Z140	600	400	0,60				
109882	R RARR 600 500 130 20 CGF 0,6 mm Z140	600	500	0,60				
109883	R RARR 600 600 130 20 CGF 0,7 mm Z140	600	600	0,70				

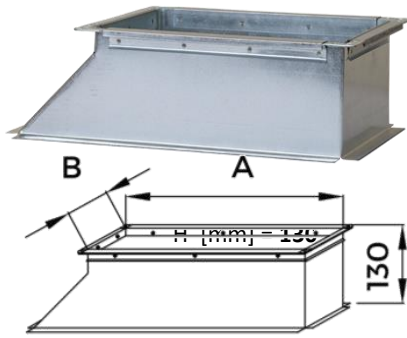
Note

For the other sizes, please contact the commercial department.

RECTANGULAR VENTILATION DUCTS AND FITTINGS INTEGRAL FLANGE CGF

Collars and T-pieces

Collar R RARR



Product Code Model

Explanation:

R RARR 700 300 130 20 CGF 0,7 mm Z140

R RARR Type

20 CGF Flange Class

700 A [mm]

0,7 mm Thickness δ [mm]

300 B [mm]

130 H [mm]

SKU	TYPE	A [mm]	B [mm]	Thickness δ [mm]				
109884	R RARR 700 300 130 20 CGF 0,7 mm Z140	700	300	0,70				
109885	R RARR 700 350 130 20 CGF 0,7 mm Z140	700	350	0,70				
109886	R RARR 700 400 130 20 CGF 0,7 mm Z140	700	400	0,70				
109887	R RARR 700 500 130 20 CGF 0,7 mm Z140	700	500	0,70				
109888	R RARR 700 600 130 20 CGF 0,7 mm Z140	700	600	0,70				
109889	R RARR 700 700 130 20 CGF 0,7 mm Z140	700	700	0,70				
109890	R RARR 800 300 130 20 CGF 0,7 mm Z140	800	300	0,70				
109891	R RARR 800 350 130 20 CGF 0,7 mm Z140	800	350	0,70				
109892	R RARR 800 400 130 20 CGF 0,7 mm Z140	800	400	0,70				
109893	R RARR 800 500 130 20 CGF 0,8 mm Z140	800	500	0,80				
109894	R RARR 800 600 130 20 CGF 0,8 mm Z140	800	600	0,80				
109895	R RARR 800 700 130 20 CGF 0,8 mm Z140	800	700	0,80				
109896	R RARR 800 800 130 20 CGF 0,8 mm Z140	800	800	0,80				
109897	R RARR 900 300 130 20 CGF 0,8 mm Z140	900	300	0,80				
109898	R RARR 900 350 130 20 CGF 0,8 mm Z140	900	350	0,80				
109899	R RARR 900 400 130 20 CGF 0,8 mm Z140	900	400	0,80				
109900	R RARR 900 500 130 20 CGF 0,8 mm Z140	900	500	0,80				
109901	R RARR 900 600 130 20 CGF 0,8 mm Z140	900	600	0,80				
109902	R RARR 900 700 130 20 CGF 0,8 mm Z140	900	700	0,80				
109903	R RARR 900 800 130 20 CGF 0,8 mm Z140	900	800	0,80				
109904	R RARR 900 900 130 20 CGF 0,8 mm Z140	900	900	0,80				
109905	R RARR 1000 350 130 20 CGF 0,8 mm Z140	1000	350	0,80				
109906	R RARR 1000 400 130 20 CGF 0,8 mm Z140	1000	400	0,80				
109907	R RARR 1000 500 130 30 CGF 1 mm Z140	1000	500	1,00				
109908	R RARR 1000 600 130 30 CGF 1 mm Z140	1000	600	1,00				
109909	R RARR 1000 700 130 30 CGF 1 mm Z140	1000	700	1,00				
109910	R RARR 1000 800 130 30 CGF 1 mm Z140	1000	800	1,00				
109911	R RARR 1000 900 130 30 CGF 1 mm Z140	1000	900	1,00				
109912	R RARR 1000 1000 130 30 CGF 1 mm Z140	1000	1000	1,00				

Note

For the other sizes, please contact the commercial department.

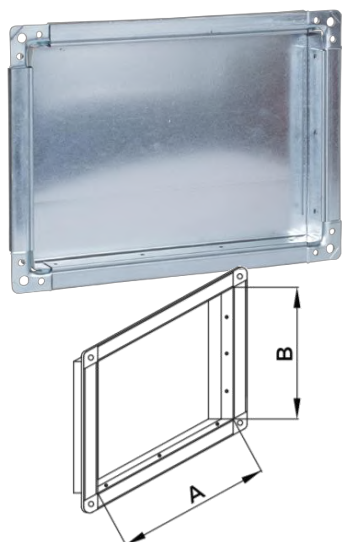


RECTANGULAR VENTILATION DUCTS AND FITTINGS INTEGRAL FLANGE CGF

End cap

with integral flange CGF

End caps R CAR



Description:

The end caps stops square duct ends

Used Material:

Galvanized steel DX51, Class Z140.

Note:

The thickness of the galvanized sheet varies depending on the fittings size.

Product Code Model

Explanation:

R CAR 150 100 20 CGF 0,5 mm Z140

R CAR	Type	20 CGF	Flange Class
150	A [mm]	0,5 mm	Thickness δ [mm]
100	B [mm]		

SKU	TYPE	A [mm]	B [mm]	Thickness δ [mm]				
109913	R CAR 150 100 20 CGF 0,5 mm Z140	150	100	0,50				
109914	R CAR 150 150 20 CGF 0,5 mm Z140	150	150	0,50				
109915	R CAR 200 100 20 CGF 0,5 mm Z140	200	100	0,50				
109916	R CAR 200 150 20 CGF 0,5 mm Z140	200	150	0,50				
109917	R CAR 200 200 20 CGF 0,5 mm Z140	200	200	0,50				
109918	R CAR 250 150 20 CGF 0,5 mm Z140	250	150	0,50				
109919	R CAR 250 200 20 CGF 0,5 mm Z140	250	200	0,50				
109920	R CAR 250 250 20 CGF 0,5 mm Z140	250	250	0,50				
109921	R CAR 300 150 20 CGF 0,6 mm Z140	300	150	0,60				
109922	R CAR 300 200 20 CGF 0,6 mm Z140	300	200	0,60				
109923	R CAR 300 250 20 CGF 0,6 mm Z140	300	250	0,60				
109924	R CAR 300 300 20 CGF 0,6 mm Z140	300	300	0,60				
109925	R CAR 400 200 20 CGF 0,6 mm Z140	400	200	0,60				
109926	R CAR 400 250 20 CGF 0,6 mm Z140	400	250	0,60				
109927	R CAR 400 300 20 CGF 0,6 mm Z140	400	300	0,60				
109928	R CAR 400 400 20 CGF 0,6 mm Z140	400	400	0,60				
109929	R CAR 500 200 20 CGF 0,6 mm Z140	500	200	0,60				
109930	R CAR 500 250 20 CGF 0,6 mm Z140	500	250	0,60				
109931	R CAR 500 300 20 CGF 0,6 mm Z140	500	300	0,60				
109932	R CAR 500 350 20 CGF 0,6 mm Z140	500	350	0,60				
109933	R CAR 500 400 20 CGF 0,6 mm Z140	500	400	0,60				
109934	R CAR 500 500 20 CGF 0,6 mm Z140	500	500	0,60				
109935	R CAR 600 200 20 CGF 0,6 mm Z140	600	200	0,60				
109936	R CAR 600 250 20 CGF 0,6 mm Z140	600	250	0,60				
109937	R CAR 600 300 20 CGF 0,6 mm Z140	600	300	0,60				
109938	R CAR 600 400 20 CGF 0,6 mm Z140	600	400	0,60				
109939	R CAR 600 500 20 CGF 0,6 mm Z140	600	500	0,60				
109940	R CAR 600 600 20 CGF 0,7 mm Z140	600	600	0,70				

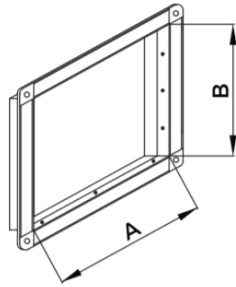
Note

For the other sizes, please contact the commercial department.

RECTANGULAR VENTILATION DUCTS AND FITTINGS INTEGRAL FLANGE CGF

**End cap
with integral flange CGF**

End caps R CAR



Product Code Model

Explanation:

R CAR 700 300 20 CGF 0,7 mm Z140

R CAR	Type	20 CGF	Flange Class
700	A [mm]	0,7 mm	Thickness δ [mm]
300	B [mm]		

SKU	TYPE	A [mm]	B [mm]	Thickness δ [mm]				
109941	R CAR 700 300 20 CGF 0,7 mm Z140	700	300	0,70				
109942	R CAR 700 350 20 CGF 0,7 mm Z140	700	350	0,70				
109943	R CAR 700 400 20 CGF 0,7 mm Z140	700	400	0,70				
109944	R CAR 700 500 20 CGF 0,7 mm Z140	700	500	0,70				
109945	R CAR 700 600 20 CGF 0,7 mm Z140	700	600	0,70				
109946	R CAR 700 700 20 CGF 0,7 mm Z140	700	700	0,70				
109947	R CAR 800 300 20 CGF 0,7 mm Z140	800	300	0,70				
109948	R CAR 800 350 20 CGF 0,7 mm Z140	800	350	0,70				
109949	R CAR 800 400 20 CGF 0,7 mm Z140	800	400	0,70				
109950	R CAR 800 500 20 CGF 0,8 mm Z140	800	500	0,80				
109951	R CAR 800 600 20 CGF 0,8 mm Z140	800	600	0,80				
109952	R CAR 800 700 20 CGF 0,8 mm Z140	800	700	0,80				
109953	R CAR 800 800 20 CGF 0,8 mm Z140	800	800	0,80				
109954	R CAR 900 300 20 CGF 0,8 mm Z140	900	300	0,80				
109955	R CAR 900 350 20 CGF 0,8 mm Z140	900	350	0,80				
109956	R CAR 900 400 20 CGF 0,8 mm Z140	900	400	0,80				
109957	R CAR 900 500 20 CGF 0,8 mm Z140	900	500	0,80				
109958	R CAR 900 600 20 CGF 0,8 mm Z140	900	600	0,80				
109959	R CAR 900 700 20 CGF 0,8 mm Z140	900	700	0,80				
109960	R CAR 900 800 20 CGF 0,8 mm Z140	900	800	0,80				
109961	R CAR 900 900 20 CGF 0,8 mm Z140	900	900	0,80				
109962	R CAR 1000 350 20 CGF 0,8 mm Z140	1000	350	0,80				
109963	R CAR 1000 400 20 CGF 0,8 mm Z140	1000	400	0,80				
109964	R CAR 1000 500 30 CGF 1 mm Z140	1000	500	1,00				
109965	R CAR 1000 600 30 CGF 1 mm Z140	1000	600	1,00				
109966	R CAR 1000 700 30 CGF 1 mm Z140	1000	700	1,00				
109967	R CAR 1000 800 30 CGF 1 mm Z140	1000	800	1,00				
109968	R CAR 1000 900 30 CGF 1 mm Z140	1000	900	1,00				
109969	R CAR 1000 1000 30 CGF 1 mm Z140	1000	1000	1,00				

Note

For the other sizes, please contact the commercial department.