


SPIRAL® SYSTEM ROUND VENTILATION DUCTS AND FITTINGS

R TC p. 5



Circular air ducts

R CTC-90 p. 8




Segmented Bend - 90°

R CTC-60 p. 9



Segmented Bend - 60°

R CTC-45 p. 10




Segmented Bend - 45°

R CTC-30 p. 11




Short Segmented Bend - 30°

R CTC-15 p. 12



Short Segmented Bend - 15°




R CTCE-90 p. 13




Long segmented bend 90°

R RCS p. 14




Reducer

R RCD p. 18




Eccentric reducer

R RSE p. 22



Short Eccentric segmented reducer

R RSS p. 26



Short Concentric segmented reducer

R RASA p. 30



Saddle

R RASAS p. 37



Short Saddle

R RASAC p. 45



Segmented collar saddle

R RASACR p. 53



Long Collar saddle

R RASAR p. 54



Take-off

R RASA45 p. 55



Collar saddle 45°

R RASAE p. 61



Full-size collar saddle

R TECTSA p. 67



Segmented T-piece

R TEC45 p. 74



Branch Y-piece 45°

R PIXCSA p. 79



X-Piece

R PIXCSAE p. 84



X-Piece

R PIXCSAP p. 89



X-Piece Centric

R PIXC45 p. 94



X-Piece 45°

R PIYC45 p. 99




Y-Piece 45°

R PIYLC45 p. 102



Y-Piece Long 45°

R PIPC p. 104




Y-Piece

R TEC90 p. 107



T-Piece 90°

R PIXC p. 112



X-Piece

R PICDS p. 117



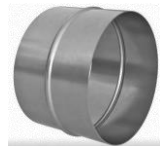
S-Piece

R CIC p. 118




End Cap

R NPC p. 119




Male couplings

R NPLC p. 120



Long coupling

R MFC p. 122



Female coupling

R PR45 p. 123



Air Intake 45°

R TRPC p. 124



Take-off with mesh

R RFC 35 p. 125



Flexible duct connectors
35-60-35

R RFC 45 p. 126



Flexible duct connectors
45-60-45

R RFC 70 p. 127



Flexible duct connectors
70-100-70

R PR90 p. 128




Air intake 90°




SPIRAL®SYSTEM ROUND VENTILATION DUCTS AND FITTINGS with gasket

R TC p. 5



Circular air ducts

R CTCG-90 p. 129




Segmented Bend - 90° with gasket

R CTCG-60 p. 130



Segmented Bend - 60° with gasket

R CTCG-45 p. 131



Segmented Bend - 45° with gasket

R CTCG-30 p. 132



Segmented Bend - 30° with gasket

R CTCG-15 p. 133



Segmented Bend - 15° with gasket

R CTCRCG-90 p. 135



Segmented Bend - 90° with a cleaning nozzle

R CTCRCLG-90 p. 136



Segmented Bend 90° with side connection for cleaning

R CTCEG-90 p. 134



Long segmented bend 90° with gasket

R RCSG p. 137




Reducer with gasket

R RCDG p. 140



Eccentric reducer with gasket

R RSEG p. 143



Short eccentric segmented reducer with gasket

R RSSG p. 146



Short concentric segmented reducer with gasket

R RASAG p. 149



Saddle with gasket

R RASAGS p. 155



Short Saddle with gasket

R RASACG p. 161



Segmented collar saddle with gasket

R RASACRG p. 167



Long Collar saddle with gasket

R RASARG p. 168



Take-off with gasket

R RASAR45 p. 169



Collar saddle 45° with gasket

R RASAEG p. 174



Full-size collar saddle with gasket

R TECSAG p. 180



Segmented T-piece with gasket

R TECG45 p. 186



Branch Y-piece 45° with gasket

R PIXCSAG p. 190



X-Piece with gasket

R PIXCSAEG p. 194



X-Piece with gasket



R PIXCSAPG p. 198



X-Piece Centric
with gasket

R PIXCG45 p. 202



X-Piece 45°
with gasket

R PIYCG45 p. 206



Y-Piece 45°
with gasket

R PIYLCG45 p. 209



Y-Piece Long 45°
with gasket

R PIPCG p. 211




Y-Piece
with gasket

R TECG90 p. 214



T-Piece 90°
with gasket

R PIXCG p. 218



X-Piece
with gasket

R PICDSG p. 222



S-Piece
with gasket

R CICG p. 223



End Cap
with gasket

R NPCG p. 224



Female couplings
with gasket

R NPLCG p. 225



Long coupling
with gasket

R TRPCG p. 228



Take-off with mesh
with gasket

R PRG45 p. 227

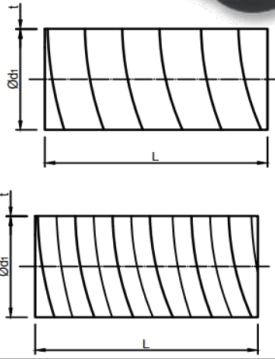


Air intake 45°
with gasket

SPIRAL®SYSTEM ROUND VENTILATION DUCTS AND FITTINGS

Circular air ducts

Circular air ducts R TC



Product Code Model

R TC 80 3000 0,5 mm Z140

Explanation:

- R TC** Type
- 80** Diameter d1 [mm]
- 3000** Length L [mm]
- 0,5 mm** Thickness δ [mm]
- Z140** Class

Description:

Round spiral ducts are available in diameters from 80 mm to 1600 mm. The ducts are available as made of 0.5 mm to 1.25 mm thick metal sheet.

Used Material:

Galvanized steel DX51, Class Z140.

Note:

The thickness of the galvanized sheet varies depending on the diameter.

SKU	TYPE				Diameter d1 [mm]	Duct length L [mm]	Thickness δ [mm]	
93603	R TC 80 3000 0,5 mm Z140				80	3000	0,50	
93604	R TC 100 3000 0,5 mm Z140				100	3000	0,50	
93605	R TC 125 3000 0,5 mm Z140				125	3000	0,50	
93606	R TC 160 3000 0,5 mm Z140				160	3000	0,50	
93607	R TC 200 3000 0,5 mm Z140				200	3000	0,50	
93608	R TC 250 3000 0,5 mm Z140				250	3000	0,50	
93609	R TC 315 3000 0,5 mm Z140				315	3000	0,50	
93610	R TC 355 3000 0,5 mm Z140				355	3000	0,50	
93611	R TC 400 3000 0,6 mm Z140				400	3000	0,60	
93612	R TC 450 3000 0,6 mm Z140				450	3000	0,60	
93613	R TC 500 3000 0,6 mm Z140				500	3000	0,60	
93614	R TC 560 3000 0,6 mm Z140				560	3000	0,60	
93615	R TC 630 3000 0,7 mm Z140				630	3000	0,70	
93616	R TC 710 3000 0,7 mm Z140				710	3000	0,70	
93617	R TC 800 3000 0,7 mm Z140				800	3000	0,70	
93618	R TC 900 3000 0,8 mm Z140				900	3000	0,80	
93619	R TC 1000 3000 0,8 mm Z140				1000	3000	0,80	
93620	R TC 1120 3000 0,9 mm Z140				1120	3000	0,90	
93621	R TC 1250 3000 0,9 mm Z140				1250	3000	0,90	
93622	R TC 1600 2400 1,25 mm Z140				1600	2400	1,25	

SPIRAL®SYSTEM ROUND VENTILATION DUCTS AND FITTINGS

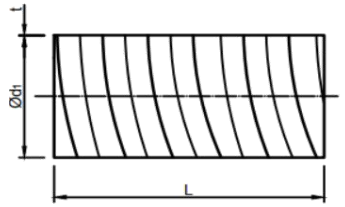
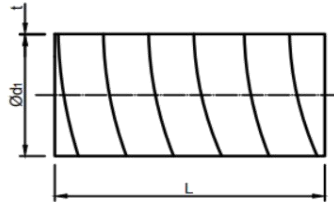
Circular air ducts

Circular air ducts R TC



Product Code Model

R TC 80 1000 0,5 mm Z140



Explanation:

R TC Type

80 Diameter d1 [mm]

1000 Duct length L [mm]

0,5 mm Thickness δ [mm]

Z140 Class

SKU	TYPE				Diameter d1 [mm]	Duct length L [mm]	Thickness δ [mm]	
93623	R TC 80 1000 0,5 mm Z140				80	1000	0,50	
93624	R TC 100 1000 0,5 mm Z140				100	1000	0,50	
93625	R TC 125 1000 0,5 mm Z140				125	1000	0,50	
93626	R TC 160 1000 0,5 mm Z140				160	1000	0,50	
93627	R TC 200 1000 0,5 mm Z140				200	1000	0,50	
93628	R TC 250 1000 0,5 mm Z140				250	1000	0,50	
93629	R TC 315 1000 0,5 mm Z140				315	1000	0,50	
93630	R TC 355 1000 0,5 mm Z140				355	1000	0,50	
93631	R TC 400 1000 0,6 mm Z140				400	1000	0,60	
93632	R TC 450 1000 0,6 mm Z140				450	1000	0,60	
93633	R TC 500 1000 0,6 mm Z140				500	1000	0,60	
93634	R TC 560 1000 0,6 mm Z140				560	1000	0,60	
93635	R TC 630 1000 0,7 mm Z140				630	1000	0,70	
93636	R TC 710 1000 0,7 mm Z140				710	1000	0,70	
93637	R TC 800 1000 0,7 mm Z140				800	1000	0,70	
93638	R TC 900 1000 0,8 mm Z140				900	1000	0,80	
93639	R TC 1000 1000 0,8 mm Z140				1000	1000	0,80	
93640	R TC 1120 1000 0,9 mm Z140				1120	1000	0,90	
93641	R TC 1250 1000 0,9 mm Z140				1250	1000	0,90	
93642	R TC 1600 1000 1,25 mm Z140				1600	1000	1,25	

SPIRAL®SYSTEM ROUND VENTILATION DUCTS AND FITTINGS

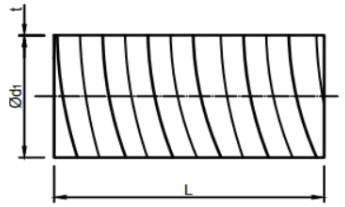
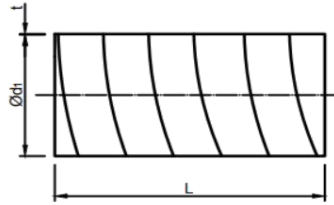
Circular air ducts

Circular air ducts R TC



Product Code Model

R TC 80 2000 0,5 mm Z140



Explanation:

R TC Type

80 Diameter d1 [mm]

2000 Duct length L [mm]

0,5 mm Thickness δ [mm]

Z140 Class

SKU	TYPE				Diameter d1 [mm]	Duct length L [mm]	Thickness δ [mm]	
93643	R TC 80 2000 0,5 mm Z140				80	2000	0,50	
93644	R TC 100 2000 0,5 mm Z140				100	2000	0,50	
93645	R TC 125 2000 0,5 mm Z140				125	2000	0,50	
93646	R TC 160 2000 0,5 mm Z140				160	2000	0,50	
93647	R TC 200 2000 0,5 mm Z140				200	2000	0,50	
93648	R TC 250 2000 0,5 mm Z140				250	2000	0,50	
93649	R TC 315 2000 0,5 mm Z140				315	2000	0,50	
93650	R TC 355 2000 0,5 mm Z140				355	2000	0,50	
93651	R TC 400 2000 0,6 mm Z140				400	2000	0,60	
93652	R TC 450 2000 0,6 mm Z140				450	2000	0,60	
93653	R TC 500 2000 0,6 mm Z140				500	2000	0,60	
93654	R TC 560 2000 0,6 mm Z140				560	2000	0,60	
93655	R TC 630 2000 0,7 mm Z140				630	2000	0,70	
93656	R TC 710 2000 0,7 mm Z140				710	2000	0,70	
93657	R TC 800 2000 0,7 mm Z140				800	2000	0,70	
93658	R TC 900 2000 0,8 mm Z140				900	2000	0,80	
93659	R TC 1000 2000 0,8 mm Z140				1000	2000	0,80	
93660	R TC 1120 2000 0,9 mm Z140				1120	2000	0,90	
93661	R TC 1250 2000 0,9 mm Z140				1250	2000	0,90	
93662	R TC 1600 2000 1,25 mm Z140				1600	2000	1,25	

SPIRAL®SYSTEM ROUND VENTILATION DUCTS AND FITTINGS

Segmented bends

Segmented Bend - 90° R CTC-90



Description:

Segmented bends are designed for building ventilation systems based on spiral and plain ducts. The segments are fastened by hemming and seaming. The piece is connected with a duct inserting one into the other.

Used Material:

Galvanized steel DX51, Class Z140.

Note:

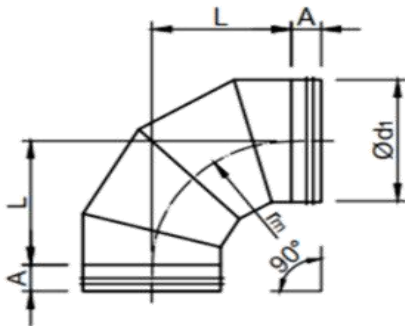
The thickness of the galvanized sheet varies depending on the diameter.

Product Code Model

R CTC 125 90 0,5 mm Z140

Explanation:

- R CTC** Type
- 125** Diameter d1 [mm]
- 90** Angle α
- 0,5 mm** Thickness δ [mm]
- Z140** Class



SKU	TYPE	Diameter d1 [mm]	Duct length L [mm]	Radius [mm]	A [mm]	Thickness δ [mm]
114267	R CTC 80 90 0,5 mm Z140	80	80	80	50	0,50
114268	R CTC 100 90 0,5 mm Z140	100	100	100	50	0,50
93663	R CTC 125 90 0,5 mm Z140	125	125	125	50	0,50
93664	R CTC 160 90 0,5 mm Z140	160	160	160	50	0,50
93665	R CTC 200 90 0,5 mm Z140	200	200	200	50	0,50
93666	R CTC 250 90 0,5 mm Z140	250	250	250	50	0,50
93667	R CTC 300 90 0,6 mm Z140	300	300	280	50	0,60
93668	R CTC 315 90 0,6 mm Z140	315	315	315	50	0,60
93669	R CTC 355 90 0,6 mm Z140	355	355	355	50	0,60
93670	R CTC 400 90 0,6 mm Z140	400	400	400	50	0,60
93671	R CTC 450 90 0,6 mm Z140	450	450	450	50	0,60
93672	R CTC 500 90 0,7 mm Z140	500	500	500	50	0,70
93673	R CTC 560 90 0,7 mm Z140	560	560	560	50	0,70
93674	R CTC 600 90 0,7 mm Z140	600	600	600	50	0,70
93675	R CTC 630 90 0,7 mm Z140	630	630	630	50	0,70
93676	R CTC 710 90 0,7 mm Z140	710	710	710	50	0,70
93677	R CTC 800 90 0,8 mm Z140	800	800	800	50	0,80
93678	R CTC 900 90 0,8 mm Z140	900	900	900	50	0,80
93679	R CTC 1000 90 0,8 mm Z140	1000	1000	1000	50	0,80
93680	R CTC 1120 90 1 mm Z140	1120	1120	1120	50	1,00
93681	R CTC 1250 90 1 mm Z140	1250	1250	1250	50	1,00

SPIRAL®SYSTEM ROUND VENTILATION DUCTS AND FITTINGS

Segmented bends

Segmented Bend - 60° R CTC-60



Description:

Segmented bends are designed for building ventilation systems based on spiral and plain ducts. The segments are fastened by hemming and seaming. The piece is connected with a duct inserting one into the other.

Used Material:

Galvanized steel DX51, Class Z140.

Note:

The thickness of the galvanized sheet varies depending on the diameter.

Product Code Model

R CTC 125 60 0,5 mm Z140

Explanation:

- R CTC** Type
- 125** Diameter d1 [mm]
- 60** Angle α
- 0,5 mm** Thickness δ [mm]
- Z140** Class

SKU	TYPE	Diameter d1 [mm]	Duct length L [mm]	Radius [mm]	A [mm]	Thickness δ [mm]		
114269	R CTC 80 60 0,5 mm Z140	80	32	80	50	0,50		
114270	R CTC 100 60 0,5 mm Z140	100	40	100	50	0,50		
93699	R CTC 125 60 0,5 mm Z140	125	72	125	50	0,50		
93700	R CTC 160 60 0,5 mm Z140	160	92	160	50	0,50		
93701	R CTC 200 60 0,5 mm Z140	200	115	200	50	0,50		
93702	R CTC 250 60 0,5 mm Z140	250	144	250	50	0,50		
93703	R CTC 300 60 0,6 mm Z140	300	173	280	50	0,60		
93704	R CTC 315 60 0,6 mm Z140	315	182	315	50	0,60		
93705	R CTC 355 60 0,6 mm Z140	355	205	355	50	0,60		
93706	R CTC 400 60 0,6 mm Z140	400	231	400	50	0,60		
93707	R CTC 450 60 0,6 mm Z140	450	260	450	50	0,60		
93708	R CTC 500 60 0,7 mm Z140	500	290	500	50	0,70		
93709	R CTC 560 60 0,7 mm Z140	560	325	560	50	0,70		
93710	R CTC 600 60 0,7 mm Z140	600	350	600	50	0,70		
93711	R CTC 630 60 0,7 mm Z140	630	365	630	50	0,70		
93712	R CTC 710 60 0,7 mm Z140	710	412	710	50	0,70		
93713	R CTC 800 60 0,8 mm Z140	800	465	800	50	0,80		
93714	R CTC 900 60 0,8 mm Z140	900	522	900	50	0,80		
93715	R CTC 1000 60 0,8 mm Z140	1000	580	1000	50	0,80		
93716	R CTC 1120 60 1 mm Z140	1120	650	1120	50	1,00		
93717	R CTC 1250 60 1 mm Z140	1250	725	1250	50	1,00		

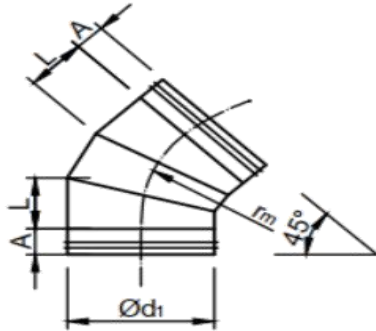
Note

For the other sizes, please contact the commercial department.

SPIRAL®SYSTEM ROUND VENTILATION DUCTS AND FITTINGS

Segmented bends

Segmented Bend - 45° R CTC-45



Description:

Segmented bends are designed for building ventilation systems based on spiral and plain ducts. The segments are fastened by hemming and seaming. The piece is connected with a duct inserting one into the other.

Used Material:

Galvanized steel DX51, Class Z140.

Note:

The thickness of the galvanized sheet varies depending on the diameter.

Product Code Model

R CTC 125 45 0,5 mm Z140

Explanation:

- R CTC** Type
- 125** Diameter d1 [mm]
- 45** Angle α
- 0,5 mm** Thickness δ [mm]
- Z140** Class

SKU	TYPE	Diameter d1 [mm]	Radius [mm]	A [mm]	Thickness δ [mm]			
114271	R CTC 80 45 0,5 mm Z140	80	80	50	0,50			
114272	R CTC 100 45 0,5 mm Z140	100	100	50	0,50			
93735	R CTC 125 45 0,5 mm Z140	125	125	50	0,50			
93736	R CTC 160 45 0,5 mm Z140	160	160	50	0,50			
93737	R CTC 200 45 0,5 mm Z140	200	200	50	0,50			
93738	R CTC 250 45 0,5 mm Z140	250	250	50	0,50			
93739	R CTC 300 45 0,6 mm Z140	300	300	50	0,60			
93740	R CTC 315 45 0,6 mm Z140	315	315	50	0,60			
93741	R CTC 355 45 0,6 mm Z140	355	355	50	0,60			
93742	R CTC 400 45 0,6 mm Z140	400	400	50	0,60			
93743	R CTC 450 45 0,6 mm Z140	450	450	50	0,60			
93744	R CTC 500 45 0,7 mm Z140	500	500	50	0,70			
93745	R CTC 560 45 0,7 mm Z140	560	560	50	0,70			
93746	R CTC 600 45 0,7 mm Z140	600	600	50	0,70			
93747	R CTC 630 45 0,7 mm Z140	630	630	50	0,70			
93748	R CTC 710 45 0,7 mm Z140	710	710	50	0,70			
93749	R CTC 800 45 0,8 mm Z140	800	800	50	0,80			
93750	R CTC 900 45 0,8 mm Z140	900	900	50	0,80			
93751	R CTC 1000 45 0,8 mm Z140	1000	1000	50	0,80			
93752	R CTC 1120 45 1 mm Z140	1120	1120	50	1,00			
93753	R CTC 1250 45 1 mm Z140	1250	1250	50	1,00			

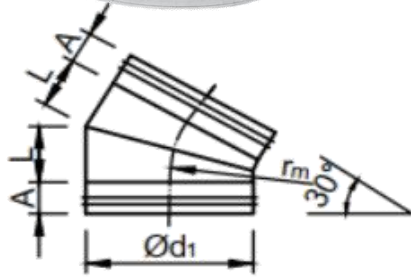
Note

For the other sizes, please contact the commercial department.

SPIRAL®SYSTEM ROUND VENTILATION DUCTS AND FITTINGS

Segmented bends

Short Segmented Bend - 30° R CTC-30



Description:

Segmented bends are designed for building ventilation systems based on spiral and plain ducts. The segments are fastened by hemming and seaming. The piece is connected with a duct inserting one into the other.

Used Material:

Galvanized steel DX51, Class Z140.

Note:

The thickness of the galvanized sheet varies depending on the diameter.

Product Code Model

R CTC 125 30 0,5 mm Z140

Explanation:

- R CTC** Type
- 125** Diameter d1 [mm]
- 30** Angle α
- 0,5 mm** Thickness δ [mm]
- Z140** Class

SKU	TYPE	Diameter d1 [mm]	Radius [mm]	A [mm]	Thickness δ [mm]			
114273	R CTC 80 30 0,5 mm Z140	80	80	50	0,50			
114274	R CTC 100 30 0,5 mm Z140	100	100	50	0,50			
93771	R CTC 125 30 0,5 mm Z140	125	125	50	0,50			
93772	R CTC 160 30 0,5 mm Z140	160	160	50	0,50			
93773	R CTC 200 30 0,5 mm Z140	200	200	50	0,50			
93774	R CTC 250 30 0,5 mm Z140	250	250	50	0,50			
93775	R CTC 300 30 0,6 mm Z140	300	300	50	0,60			
93776	R CTC 315 30 0,6 mm Z140	315	315	50	0,60			
93777	R CTC 355 30 0,6 mm Z140	355	355	50	0,60			
93778	R CTC 400 30 0,6 mm Z140	400	400	50	0,60			
93779	R CTC 450 30 0,6 mm Z140	450	450	50	0,60			
93780	R CTC 500 30 0,7 mm Z140	500	500	50	0,70			
93781	R CTC 560 30 0,7 mm Z140	560	560	50	0,70			
93782	R CTC 600 30 0,7 mm Z140	600	600	50	0,70			
93783	R CTC 630 30 0,7 mm Z140	630	630	50	0,70			
93784	R CTC 710 30 0,7 mm Z140	710	710	50	0,70			
93785	R CTC 800 30 0,8 mm Z140	800	800	50	0,80			
93786	R CTC 900 30 0,8 mm Z140	900	900	50	0,80			
93787	R CTC 1000 30 0,8 mm Z140	1000	1000	50	0,80			
93788	R CTC 1120 30 1 mm Z140	1120	1120	50	1,00			
93789	R CTC 1250 30 1 mm Z140	1250	1250	50	1,00			

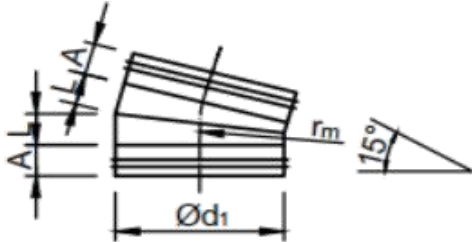
Note

For the other sizes, please contact the commercial department.

SPIRAL®SYSTEM ROUND VENTILATION DUCTS AND FITTINGS

Segmented bends

Short Segmented Bend - 15° R CTC-15



Description:

Segmented bends are designed for building ventilation systems based on spiral and plain ducts. The segments are fastened by hemming and seaming. The piece is connected with a duct inserting one into the other.

Used Material:

Galvanized steel DX51, Class Z140.

Note:

The thickness of the galvanized sheet varies depending on the diameter.

Product Code Model

R CTC 125 15 0,5 mm Z140

Explanation:

- R CTC** Type
- 125** Diameter d1 [mm]
- 15** Angle α
- 0,5 mm** Thickness δ [mm]
- Z140** Class

SKU	TYPE	Diameter d1 [mm]	Radius [mm]	A [mm]	Thickness δ [mm]			
114275	R CTC 80 15 0,5 mm Z140	80	80	50	0,50			
114276	R CTC 100 15 0,5 mm Z140	100	100	50	0,50			
93807	R CTC 125 15 0,5 mm Z140	125	125	50	0,50			
93808	R CTC 160 15 0,5 mm Z140	160	160	50	0,50			
93809	R CTC 200 15 0,5 mm Z140	200	200	50	0,50			
93810	R CTC 250 15 0,5 mm Z140	250	250	50	0,50			
93811	R CTC 300 15 0,6 mm Z140	300	300	50	0,60			
93812	R CTC 315 15 0,6 mm Z140	315	315	50	0,60			
93813	R CTC 355 15 0,6 mm Z140	355	355	50	0,60			
93814	R CTC 400 15 0,6 mm Z140	400	400	50	0,60			
93815	R CTC 450 15 0,6 mm Z140	450	450	50	0,60			
93816	R CTC 500 15 0,7 mm Z140	500	500	50	0,70			
93817	R CTC 560 15 0,7 mm Z140	560	560	50	0,70			
93818	R CTC 600 15 0,7 mm Z140	600	600	50	0,70			
93819	R CTC 630 15 0,7 mm Z140	630	630	50	0,70			
93820	R CTC 710 15 0,7 mm Z140	710	710	50	0,70			
93821	R CTC 800 15 0,8 mm Z140	800	800	50	0,80			
93822	R CTC 900 15 0,8 mm Z140	900	900	50	0,80			
93823	R CTC 1000 15 0,8 mm Z140	1000	1000	50	0,80			
93824	R CTC 1120 15 1 mm Z140	1120	1120	50	1,00			
93825	R CTC 1250 15 1 mm Z140	1250	1250	50	1,00			

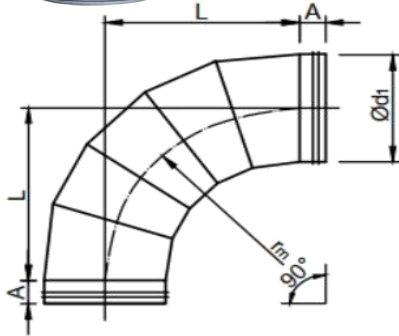
Note

For the other sizes, please contact the commercial department.

SPIRAL®SYSTEM ROUND VENTILATION DUCTS AND FITTINGS

Segmented bends

Long segmented bend - 90° R CTCE-90



Description:

Long Segmented Bend with 90° extended radius.
 Made of galvanised steel sheet.
 It is used to change the horizontal, vertical or inclined direction.

Used Material:

Galvanized steel DX51, Class Z140.

Note:

The thickness of the galvanized sheet varies depending on the diameter.

Product Code Model

R CTCE 125 90 0,5 mm Z140

Explanation:

- R CTCE** Type
- 125** Diameter d1 [mm]
- 90** Angle α
- 0,5 mm** Thickness δ [mm]
- Z140** Class

SKU	TYPE	Diameter d1 [mm]	Duct length L [mm]	Radius [mm]	A [mm]	Thickness δ [mm]
114277	R CTCE 80 90 0,5 mm Z140	80	120	188	50	0,50
114278	R CTCE 100 90 0,5 mm Z140	100	150	240	50	0,50
93853	R CTCE 125 90 0,5 mm Z140	125	188	188	50	0,50
93854	R CTCE 160 90 0,5 mm Z140	160	240	240	50	0,50
93855	R CTCE 200 90 0,5 mm Z140	200	300	300	50	0,50
93856	R CTCE 250 90 0,5 mm Z140	250	375	375	50	0,50
93857	R CTCE 300 90 0,6 mm Z140	300	450	450	50	0,60
93858	R CTCE 315 90 0,6 mm Z140	315	473	473	50	0,60
93859	R CTCE 355 90 0,6 mm Z140	355	533	533	50	0,60
93860	R CTCE 400 90 0,6 mm Z140	400	600	600	50	0,60
93861	R CTCE 450 90 0,6 mm Z140	450	675	675	50	0,60
93862	R CTCE 500 90 0,7 mm Z140	500	750	750	50	0,70
93863	R CTCE 560 90 0,7 mm Z140	560	840	840	50	0,70
93864	R CTCE 600 90 0,7 mm Z140	600	900	900	50	0,70
93865	R CTCE 630 90 0,7 mm Z140	630	945	945	50	0,70
93866	R CTCE 710 90 0,7 mm Z140	710	1065	1065	50	0,70
93867	R CTCE 800 90 0,8 mm Z140	800	1200	1200	50	0,80
93868	R CTCE 900 90 0,8 mm Z140	900	1350	1350	50	0,80
93869	R CTCE 1000 90 0,8 mm Z140	1000	1500	1500	50	0,80
93870	R CTCE 1120 90 1 mm Z140	1120	1680	1680	50	1,00
93871	R CTCE 1250 90 1 mm Z140	1250	1875	1875	50	1,00

Note

For the other sizes, please contact the commercial department.

SPIRAL®SYSTEM ROUND VENTILATION DUCTS AND FITTINGS

Circular reductions

Reducer R RCS



Description:

Symmetrical circular reducer. It is used for the transition from one diameter to another.

It is made of bright galvanised steel sheet.

Used Material:

Galvanized steel DX51, Class Z140.

Note:

The thickness of the galvanized sheet varies depending on the diameter.

Product Code Model

R RCS 160 125 0,5 mm Z140

Explanation:

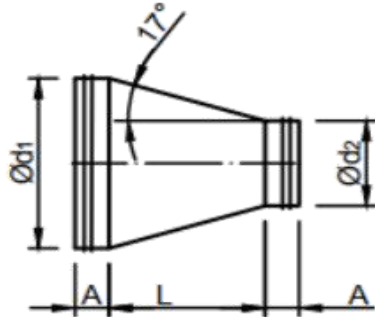
R RCS Type

160 Diameter d1 [mm]

125 Diameter d2 [mm]

0,5 mm Thickness δ [mm]

Z140 Class



SKU	TYPE	Diameter d1 [mm]	Diameter d2 [mm]	L [mm]	A [mm]	Thickness δ [mm]
114279	R RCS 100 80 0,5 mm Z140	100	80	50	50	0,50
114280	R RCS 125 100 0,5 mm Z140	125	100	50	50	0,50
114281	R RCS 160 100 0,5 mm Z140	160	100	95	50	0,50
114282	R RCS 200 100 0,5 mm Z140	200	100	164	50	0,50
93889	R RCS 160 125 0,5 mm Z140	160	125	57	50	0,50
93890	R RCS 200 125 0,5 mm Z140	200	125	123	50	0,50
93891	R RCS 200 160 0,5 mm Z140	200	160	65	50	0,50
93892	R RCS 250 125 0,5 mm Z140	250	125	204	50	0,50
93893	R RCS 250 160 0,5 mm Z140	250	160	147	50	0,50
93894	R RCS 250 200 0,5 mm Z140	250	200	82	50	0,50
93895	R RCS 300 125 0,6 mm Z140	300	125	286	50	0,60
93896	R RCS 300 160 0,6 mm Z140	300	160	229	50	0,60
93897	R RCS 300 200 0,6 mm Z140	300	200	164	50	0,60
93898	R RCS 300 250 0,6 mm Z140	300	250	82	50	0,60
93899	R RCS 315 125 0,6 mm Z140	315	125	311	50	0,60
93900	R RCS 315 160 0,6 mm Z140	315	160	254	50	0,60
93901	R RCS 315 200 0,6 mm Z140	315	200	188	50	0,60
93902	R RCS 315 250 0,6 mm Z140	315	250	106	50	0,60
93903	R RCS 315 280 0,6 mm Z140	315	300	50	50	0,60
93904	R RCS 355 160 0,6 mm Z140	355	160	319	50	0,60
93905	R RCS 355 200 0,6 mm Z140	355	200	254	50	0,60
93906	R RCS 355 250 0,6 mm Z140	355	250	172	50	0,60
93907	R RCS 355 300 0,6 mm Z140	355	300	90	50	0,60
93908	R RCS 355 315 0,6 mm Z140	355	315	65	50	0,60
93909	R RCS 400 160 0,6 mm Z140	400	160	393	50	0,60
93910	R RCS 400 200 0,6 mm Z140	400	200	327	50	0,60

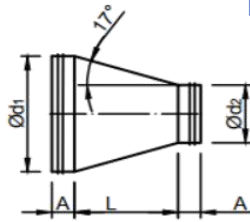
Note

For the other sizes, please contact the commercial department.

SPIRAL®SYSTEM ROUND VENTILATION DUCTS AND FITTINGS

Circular reductions

Reducer R RCS



Product Code Model

R RCS 400 250 0,6 mm Z140

Explanation:

R RCS Type

400 Diameter d1 [mm]

250 Diameter d2 [mm]

0,6 mm Thickness δ [mm]

Z140 Class

SKU	TYPE	Diameter d1 [mm]	Diameter d2 [mm]	L [mm]	A [mm]	Thickness δ [mm]		
93911	R RCS 400 250 0,6 mm Z140	400	250	245	50	0,60		
93912	R RCS 400 300 0,6 mm Z140	400	300	164	50	0,60		
93913	R RCS 400 315 0,6 mm Z140	400	315	139	50	0,60		
93914	R RCS 400 355 0,6 mm Z140	400	355	74	50	0,60		
93915	R RCS 450 200 0,6 mm Z140	450	200	409	50	0,60		
93916	R RCS 450 250 0,6 mm Z140	450	250	327	50	0,60		
93917	R RCS 450 300 0,6 mm Z140	450	300	245	50	0,60		
93918	R RCS 450 315 0,6 mm Z140	450	315	221	50	0,60		
93919	R RCS 450 355 0,6 mm Z140	450	355	155	50	0,60		
93920	R RCS 450 400 0,6 mm Z140	450	400	82	50	0,60		
93921	R RCS 500 200 0,7 mm Z140	500	200	491	50	0,70		
93922	R RCS 500 250 0,7 mm Z140	500	250	409	50	0,70		
93923	R RCS 500 300 0,7 mm Z140	500	300	327	50	0,70		
93924	R RCS 500 315 0,7 mm Z140	500	315	303	50	0,70		
93925	R RCS 500 355 0,7 mm Z140	500	355	237	50	0,70		
93926	R RCS 500 400 0,7 mm Z140	500	400	164	50	0,70		
93927	R RCS 500 450 0,7 mm Z140	500	450	82	50	0,70		
93928	R RCS 560 250 0,7 mm Z140	560	250	507	50	0,70		
93929	R RCS 560 300 0,7 mm Z140	560	300	425	50	0,70		
93930	R RCS 560 315 0,7 mm Z140	560	315	401	50	0,70		
93931	R RCS 560 355 0,7 mm Z140	560	355	335	50	0,70		
93932	R RCS 560 400 0,7 mm Z140	560	400	262	50	0,70		
93933	R RCS 560 450 0,7 mm Z140	560	450	180	50	0,70		
93934	R RCS 560 500 0,7 mm Z140	560	500	98	50	0,70		
93935	R RCS 600 250 0,7 mm Z140	600	250	572	50	0,70		
93936	R RCS 600 300 0,7 mm Z140	600	300	491	50	0,70		
93937	R RCS 600 315 0,7 mm Z140	600	315	466	50	0,70		
93938	R RCS 600 355 0,7 mm Z140	600	355	401	50	0,70		
93939	R RCS 600 400 0,7 mm Z140	600	400	327	50	0,70		
93940	R RCS 600 450 0,7 mm Z140	600	450	245	50	0,70		
93941	R RCS 600 500 0,7 mm Z140	600	500	164	50	0,70		
93942	R RCS 600 560 0,7 mm Z140	600	560	65	50	0,70		
93943	R RCS 630 250 0,7 mm Z140	630	250	622	50	0,70		
93944	R RCS 630 300 0,7 mm Z140	630	300	540	50	0,70		
93945	R RCS 630 315 0,7 mm Z140	630	315	515	50	0,70		

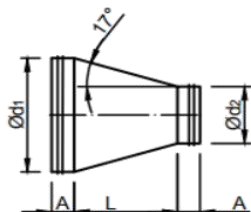
Note

For the other sizes, please contact the commercial department.

SPIRAL®SYSTEM ROUND VENTILATION DUCTS AND FITTINGS

Circular reductions

Reducer R RCS



Product Code Model

R RCS 630 355 0,7 mm Z140

Explanation:

- R RCS** Type
- 630** Diameter d1 [mm]
- 355** Diameter d2 [mm]
- 0,7 mm** Thickness δ [mm]
- Z140** Class

SKU	TYPE	Diameter d1 [mm]	Diameter d2 [mm]	L [mm]	A [mm]	Thickness δ [mm]		
93946	R RCS 630 355 0,7 mm Z140	630	355	450	50	0,70		
93947	R RCS 630 400 0,7 mm Z140	630	400	376	50	0,70		
93948	R RCS 630 450 0,7 mm Z140	630	450	294	50	0,70		
93949	R RCS 630 500 0,7 mm Z140	630	500	213	50	0,70		
93950	R RCS 630 560 0,7 mm Z140	630	560	114	50	0,70		
93951	R RCS 630 600 0,7 mm Z140	630	600	49	50	0,70		
93952	R RCS 710 355 0,7 mm Z140	710	355	581	50	0,70		
93953	R RCS 710 400 0,7 mm Z140	710	400	507	50	0,70		
93954	R RCS 710 450 0,7 mm Z140	710	450	425	50	0,70		
93955	R RCS 710 500 0,7 mm Z140	710	500	343	50	0,70		
93956	R RCS 710 560 0,7 mm Z140	710	560	245	50	0,70		
93957	R RCS 710 600 0,7 mm Z140	710	600	180	50	0,70		
93958	R RCS 710 630 0,7 mm Z140	710	630	131	50	0,70		
93959	R RCS 800 400 0,8 mm Z140	800	400	654	50	0,80		
93960	R RCS 800 450 0,8 mm Z140	800	450	572	50	0,80		
93961	R RCS 800 500 0,8 mm Z140	800	500	491	50	0,80		
93962	R RCS 800 560 0,8 mm Z140	800	560	393	50	0,80		
93963	R RCS 800 600 0,8 mm Z140	800	600	327	50	0,80		
93964	R RCS 800 630 0,8 mm Z140	800	630	278	50	0,80		
93965	R RCS 800 710 0,8 mm Z140	800	710	147	50	0,80		
93966	R RCS 900 450 0,8 mm Z140	900	450	736	50	0,80		
93967	R RCS 900 500 0,8 mm Z140	900	500	654	50	0,80		
93968	R RCS 900 560 0,8 mm Z140	900	560	556	50	0,80		
93969	R RCS 900 600 0,8 mm Z140	900	600	491	50	0,80		
93970	R RCS 900 630 0,8 mm Z140	900	630	442	50	0,80		
93971	R RCS 900 710 0,8 mm Z140	900	710	311	50	0,80		
93972	R RCS 900 800 0,8 mm Z140	900	800	164	50	0,80		
93973	R RCS 1000 500 0,8 mm Z140	1000	500	818	50	0,80		
93974	R RCS 1000 560 0,8 mm Z140	1000	560	720	50	0,80		
93975	R RCS 1000 600 0,8 mm Z140	1000	600	654	50	0,80		
93976	R RCS 1000 630 0,8 mm Z140	1000	630	605	50	0,80		
93977	R RCS 1000 710 0,8 mm Z140	1000	710	474	50	0,80		
93978	R RCS 1000 800 0,8 mm Z140	1000	800	327	50	0,80		
93979	R RCS 1000 900 0,8 mm Z140	1000	900	164	50	0,80		
93980	R RCS 1120 600 1 mm Z140	1120	600	851	50	1,00		

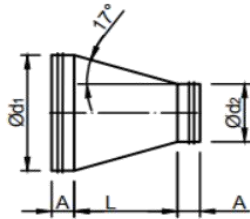
Note

For the other sizes, please contact the commercial department.

SPIRAL®SYSTEM ROUND VENTILATION DUCTS AND FITTINGS

Circular reductions

Reducer R RCS



Product Code Model

R RCS 1120 630 1 mm Z140

Explanation:

- R RCS** Type
- 1120** Diameter d1 [mm]
- 630** Diameter d2 [mm]
- 1 mm** Thickness δ [mm]
- Z140** Class

SKU	TYPE	Diameter d1 [mm]	Diameter d2 [mm]	L [mm]	A [mm]	Thickness δ [mm]		
93981	R RCS 1120 630 1 mm Z140	1120	630	801	50	1,00		
93982	R RCS 1120 710 1 mm Z140	1120	710	671	50	1,00		
93983	R RCS 1120 800 1 mm Z140	1120	800	523	50	1,00		
93984	R RCS 1120 900 1 mm Z140	1120	900	360	50	1,00		
93985	R RCS 1120 1000 1 mm Z140	1120	1000	196	50	1,00		
93986	R RCS 1250 600 1 mm Z140	1250	600	1063	50	1,00		
93987	R RCS 1250 630 1 mm Z140	1250	630	1014	50	1,00		
93988	R RCS 1250 710 1 mm Z140	1250	710	883	50	1,00		
93989	R RCS 1250 800 1 mm Z140	1250	800	736	50	1,00		
93990	R RCS 1250 900 1 mm Z140	1250	900	572	50	1,00		
93991	R RCS 1250 1000 1 mm Z140	1250	1000	409	50	1,00		
93992	R RCS 1250 1120 1 mm Z140	1250	1120	213	50	1,00		

Note

For the other sizes, please contact the commercial department.

SPIRAL®SYSTEM ROUND VENTILATION DUCTS AND FITTINGS

Circular reductions

Eccentric reducer R RCD



Description:

Eccentric reducers are known as reducers with one flat side, so tight installation of air ducts on a ceiling plate or on a wall is assumed.

Used Material:

Galvanized steel DX51, Class Z140.

Note:

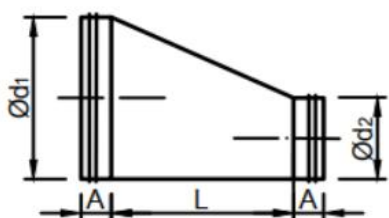
The thickness of the galvanized sheet varies depending on the diameter.

Product Code Model

R RCD 100 80 0,5 mm Z140

Explanation:

- R RCD** Type
- 100** Diameter d1 [mm]
- 80** Diameter d2 [mm]
- 0,5 mm** Thickness δ [mm]
- Z140** Class



SKU	TYPE	Diameter d1 [mm]	Diameter d2 [mm]	L [mm]	A [mm]	Thickness δ [mm]		
114283	R RCD 100 80 0,5 mm Z140	100	80	50	50	0,50		
114284	R RCD 125 100 0,5 mm Z140	125	100	50	50	0,50		
114285	R RCD 160 100 0,5 mm Z140	160	100	80	50	0,50		
114286	R RCD 200 100 0,5 mm Z140	200	100	143	50	0,50		
94084	R RCD 160 125 0,5 mm Z140	160	125	50	50	0,50		
94085	R RCD 200 125 0,5 mm Z140	200	125	107	50	0,50		
94086	R RCD 200 160 0,5 mm Z140	200	160	57	50	0,50		
94087	R RCD 250 125 0,5 mm Z140	250	125	179	50	0,50		
94088	R RCD 250 160 0,5 mm Z140	250	160	129	50	0,50		
94089	R RCD 250 200 0,5 mm Z140	250	200	71	50	0,50		
94090	R RCD 300 125 0,6 mm Z140	300	125	250	50	0,60		
94091	R RCD 300 160 0,6 mm Z140	300	160	200	50	0,60		
94092	R RCD 300 200 0,6 mm Z140	300	200	143	50	0,60		
94093	R RCD 300 250 0,6 mm Z140	300	250	50	50	0,60		
94094	R RCD 315 125 0,6 mm Z140	315	125	271	50	0,60		
94095	R RCD 315 160 0,6 mm Z140	315	160	221	50	0,60		
94096	R RCD 315 200 0,6 mm Z140	315	200	164	50	0,60		
94097	R RCD 315 250 0,6 mm Z140	315	250	93	50	0,60		
94098	R RCD 315 280 0,6 mm Z140	315	300	50	50	0,60		
94099	R RCD 355 160 0,6 mm Z140	355	160	278	50	0,60		
94100	R RCD 355 200 0,6 mm Z140	355	200	221	50	0,60		
94101	R RCD 355 250 0,6 mm Z140	355	250	150	50	0,60		
94102	R RCD 355 280 0,6 mm Z140	355	300	79	50	0,60		
94103	R RCD 355 315 0,6 mm Z140	355	315	57	50	0,60		
94104	R RCD 400 160 0,6 mm Z140	400	160	343	50	0,60		
94105	R RCD 400 200 0,6 mm Z140	400	200	286	50	0,60		

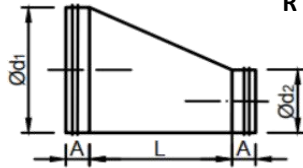
Note

For the other sizes, please contact the commercial department.

SPIRAL®SYSTEM ROUND VENTILATION DUCTS AND FITTINGS

Circular reductions

Eccentric reducer R RCD



Product Code Model

R RCD 400 250 0,6 mm Z140

Explanation:

R RCD Type

400 Diameter d1 [mm]

250 Diameter d2 [mm]

0,6 mm Thickness δ [mm]

Z140 Class

SKU	TYPE	Diameter d1 [mm]	Diameter d2 [mm]	L [mm]	A [mm]	Thickness δ [mm]		
94106	R RCD 400 250 0,6 mm Z140	400	250	214	50	0,60		
94107	R RCD 400 280 0,6 mm Z140	400	300	143	50	0,60		
94108	R RCD 400 315 0,6 mm Z140	400	315	121	50	0,60		
94109	R RCD 400 355 0,6 mm Z140	400	355	64	50	0,60		
94110	R RCD 450 200 0,6 mm Z140	450	200	357	50	0,60		
94111	R RCD 450 250 0,6 mm Z140	450	250	286	50	0,60		
94112	R RCD 450 280 0,6 mm Z140	450	300	214	50	0,60		
94113	R RCD 450 315 0,6 mm Z140	450	315	193	50	0,60		
94114	R RCD 450 355 0,6 mm Z140	450	355	136	50	0,60		
94115	R RCD 450 400 0,6 mm Z140	450	400	71	50	0,60		
94116	R RCD 500 200 0,7 mm Z140	500	200	428	50	0,70		
94117	R RCD 500 250 0,7 mm Z140	500	250	357	50	0,70		
94118	R RCD 500 280 0,7 mm Z140	500	300	286	50	0,70		
94119	R RCD 500 315 0,7 mm Z140	500	315	264	50	0,70		
94120	R RCD 500 355 0,7 mm Z140	500	355	207	50	0,70		
94121	R RCD 500 400 0,7 mm Z140	500	400	143	50	0,70		
94122	R RCD 500 450 0,7 mm Z140	500	450	71	50	0,70		
94123	R RCD 560 250 0,7 mm Z140	560	250	443	50	0,70		
94124	R RCD 560 280 0,7 mm Z140	560	300	371	50	0,70		
94125	R RCD 560 315 0,7 mm Z140	560	315	350	50	0,70		
94126	R RCD 560 355 0,7 mm Z140	560	355	293	50	0,70		
94127	R RCD 560 400 0,7 mm Z140	560	400	229	50	0,70		
94128	R RCD 560 450 0,7 mm Z140	560	450	157	50	0,70		
94129	R RCD 560 500 0,7 mm Z140	560	500	86	50	0,70		
94130	R RCD 600 250 0,7 mm Z140	600	250	500	50	0,70		
94131	R RCD 600 280 0,7 mm Z140	600	300	428	50	0,70		
94132	R RCD 600 315 0,7 mm Z140	600	315	407	50	0,70		
94133	R RCD 600 355 0,7 mm Z140	600	355	350	50	0,70		
94134	R RCD 600 400 0,7 mm Z140	600	400	286	50	0,70		
94135	R RCD 600 450 0,7 mm Z140	600	450	214	50	0,70		
94136	R RCD 600 500 0,7 mm Z140	600	500	143	50	0,70		
94137	R RCD 600 560 0,7 mm Z140	600	560	57	50	0,70		
94138	R RCD 630 250 0,7 mm Z140	630	250	543	50	0,70		
94139	R RCD 630 280 0,7 mm Z140	630	300	471	50	0,70		
94140	R RCD 630 315 0,7 mm Z140	630	315	450	50	0,70		

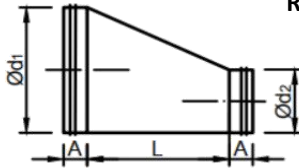
Note

For the other sizes, please contact the commercial department.

SPIRAL®SYSTEM ROUND VENTILATION DUCTS AND FITTINGS

Circular reductions

Eccentric reducer R RCD



Product Code Model

R RCD 630 355 0,7 mm Z140

Explanation:

R RCD Type

630 Diameter d1 [mm]

355 Diameter d2 [mm]

0,7 mm Thickness δ [mm]

Z140 Class

SKU	TYPE	Diameter d1 [mm]	Diameter d2 [mm]	L [mm]	A [mm]	Thickness δ [mm]		
94141	R RCD 630 355 0,7 mm Z140	630	355	393	50	0,70		
94142	R RCD 630 400 0,7 mm Z140	630	400	328	50	0,70		
94143	R RCD 630 450 0,7 mm Z140	630	450	257	50	0,70		
94144	R RCD 630 500 0,7 mm Z140	630	500	186	50	0,70		
94145	R RCD 630 560 0,7 mm Z140	630	560	100	50	0,70		
94146	R RCD 630 600 0,7 mm Z140	630	600	50	50	0,70		
94147	R RCD 710 355 0,7 mm Z140	710	355	507	50	0,70		
94148	R RCD 710 400 0,7 mm Z140	710	400	443	50	0,70		
94149	R RCD 710 450 0,7 mm Z140	710	450	371	50	0,70		
94150	R RCD 710 500 0,7 mm Z140	710	500	300	50	0,70		
94151	R RCD 710 560 0,7 mm Z140	710	560	214	50	0,70		
94152	R RCD 710 600 0,7 mm Z140	710	600	157	50	0,70		
94153	R RCD 710 630 0,7 mm Z140	710	630	114	50	0,70		
94154	R RCD 800 400 0,8 mm Z140	800	400	571	50	0,80		
94155	R RCD 800 450 0,8 mm Z140	800	450	500	50	0,80		
94156	R RCD 800 500 0,8 mm Z140	800	500	428	50	0,80		
94157	R RCD 800 560 0,8 mm Z140	800	560	343	50	0,80		
94158	R RCD 800 600 0,8 mm Z140	800	600	286	50	0,80		
94159	R RCD 800 630 0,8 mm Z140	800	630	243	50	0,80		
94160	R RCD 800 710 0,8 mm Z140	800	710	129	50	0,80		
94161	R RCD 900 450 0,8 mm Z140	900	450	643	50	0,80		
94162	R RCD 900 500 0,8 mm Z140	900	500	571	50	0,80		
94163	R RCD 900 560 0,8 mm Z140	900	560	486	50	0,80		
94164	R RCD 900 600 0,8 mm Z140	900	600	428	50	0,80		
94165	R RCD 900 630 0,8 mm Z140	900	630	386	50	0,80		
94166	R RCD 900 710 0,8 mm Z140	900	710	271	50	0,80		
94167	R RCD 900 800 0,8 mm Z140	900	800	143	50	0,80		
94168	R RCD 1000 500 0,8 mm Z140	1000	500	714	50	0,80		
94169	R RCD 1000 560 0,8 mm Z140	1000	560	628	50	0,80		
94170	R RCD 1000 600 0,8 mm Z140	1000	600	571	50	0,80		
94171	R RCD 1000 630 0,8 mm Z140	1000	630	528	50	0,80		
94172	R RCD 1000 710 0,8 mm Z140	1000	710	414	50	0,80		
94173	R RCD 1000 800 0,8 mm Z140	1000	800	286	50	0,80		
94174	R RCD 1000 900 0,8 mm Z140	1000	900	143	50	0,80		
94175	R RCD 1120 600 0,8 mm Z140	1120	600	743	50	0,80		

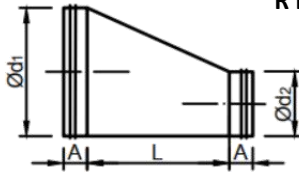
Note

For the other sizes, please contact the commercial department.

SPIRAL®SYSTEM ROUND VENTILATION DUCTS AND FITTINGS

Circular reductions

Eccentric reducer R RCD



Product Code Model

R RCD 1120 630 1 mm Z140

Explanation:

- R RCD** Type
- 1120** Diameter d1 [mm]
- 630** Diameter d2 [mm]
- 1 mm** Thickness δ [mm]
- Z140** Class

SKU	TYPE	Diameter d1 [mm]	Diameter d2 [mm]	L [mm]	A [mm]	Thickness δ [mm]		
94176	R RCD 1120 630 1 mm Z140	1120	630	700	50	1,00		
94177	R RCD 1120 710 1 mm Z140	1120	710	586	50	1,00		
94178	R RCD 1120 800 1 mm Z140	1120	800	457	50	1,00		
94179	R RCD 1120 900 1 mm Z140	1120	900	314	50	1,00		
94180	R RCD 1120 1000 1 mm Z140	1120	1000	171	50	1,00		
94181	R RCD 1250 600 1 mm Z140	1250	600	928	50	1,00		
94182	R RCD 1250 630 1 mm Z140	1250	630	885	50	1,00		
94183	R RCD 1250 710 1 mm Z140	1250	710	771	50	1,00		
94184	R RCD 1250 800 1 mm Z140	1250	800	643	50	1,00		
94185	R RCD 1250 900 1 mm Z140	1250	900	500	50	1,00		
94186	R RCD 1250 1000 1 mm Z140	1250	1000	357	50	1,00		
94187	R RCD 1250 1120 1 mm Z140	1250	1120	186	50	1,00		

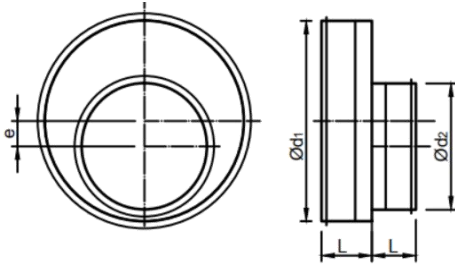
Note

For the other sizes, please contact the commercial department.

SPIRAL®SYSTEM ROUND VENTILATION DUCTS AND FITTINGS

Circular reducers

Short Eccentric segmented reducer R RSE



Description:

Short Segmented reducers have end caps with a part of a smaller diameter than the flat body diameter.

Used Material:

Galvanized steel DX51, Class Z140.

Note:

The thickness of the galvanized sheet varies depending on the diameter.

Product Code Model

R RSE 100 80 0,5 mm Z140

Explanation:

- R RSE** Type
- 100** Diameter d1 [mm]
- 80** Diameter d2 [mm]
- 0,5 mm** Thickness δ [mm]
- Z140** Class

SKU	TYPE	Diameter d1 [mm]	Diameter d2 [mm]	L [mm]	e [mm]	Thickness δ [mm]		
114287	R RSE 100 80 0,5 mm Z140	100	80	50,0	0	0,50		
114288	R RSE 125 100 0,5 mm Z140	125	100	50,0	2,5	0,50		
94279	R RSE 160 125 0,5 mm Z140	160	125	50,0	7,5	0,50		
94280	R RSE 200 125 0,5 mm Z140	200	125	50,0	27,5	0,50		
94281	R RSE 200 160 0,5 mm Z140	200	160	50,0	10	0,50		
94282	R RSE 250 125 0,5 mm Z140	250	125	50,0	52,5	0,50		
94283	R RSE 250 160 0,5 mm Z140	250	160	50,0	35	0,50		
94284	R RSE 250 200 0,5 mm Z140	250	200	50,0	15	0,50		
94285	R RSE 300 125 0,6 mm Z140	300	125	50,0	77,5	0,60		
94286	R RSE 300 160 0,6 mm Z140	300	160	50,0	60	0,60		
94287	R RSE 300 200 0,6 mm Z140	300	200	50,0	40	0,60		
94288	R RSE 300 250 0,6 mm Z140	300	250	50,0	15	0,60		
94289	R RSE 315 125 0,6 mm Z140	315	125	50,0	85	0,60		
94290	R RSE 315 160 0,6 mm Z140	315	160	50,0	67,5	0,60		
94291	R RSE 315 200 0,6 mm Z140	315	200	50,0	47,5	0,60		
94292	R RSE 315 250 0,6 mm Z140	315	250	50,0	22,5	0,60		
94293	R RSE 355 160 0,6 mm Z140	355	160	50,0	87,5	0,60		
94294	R RSE 355 200 0,6 mm Z140	355	200	50,0	67,5	0,60		
94295	R RSE 355 250 0,6 mm Z140	355	250	50,0	42,5	0,60		
94296	R RSE 355 300 0,6 mm Z140	355	300	50,0	17,5	0,60		
94297	R RSE 355 315 0,6 mm Z140	355	315	50,0	10	0,60		
94298	R RSE 400 160 0,6 mm Z140	400	160	50,0	110	0,60		
94299	R RSE 400 200 0,6 mm Z140	400	200	50,0	90	0,60		
94300	R RSE 400 250 0,6 mm Z140	400	250	50,0	65	0,60		
94301	R RSE 400 300 0,6 mm Z140	400	300	50,0	65	0,60		
94302	R RSE 400 315 0,6 mm Z140	400	315	50,0	32,5	0,60		

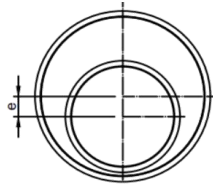
Note

For the other sizes, please contact the commercial department.

SPIRAL®SYSTEM ROUND VENTILATION DUCTS AND FITTINGS

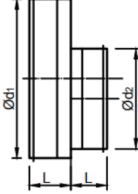
Circular reductions

Short Eccentric segmented reducer R RSE



Product Code Model

R RSE 400 355 0,6 mm Z140



Explanation:

R RSE Type

400 Diameter d1 [mm]

355 Diameter d2 [mm]

0,6 mm Thickness δ [mm]

Z140 Class

SKU	TYPE	Diameter d1 [mm]	Diameter d2 [mm]	L [mm]	A [mm]	Thickness δ [mm]		
94303	R RSE 400 355 0,6 mm Z140	400	355	50,0	12,5	0,60		
94304	R RSE 450 200 0,6 mm Z140	450	200	50,0	115	0,60		
94305	R RSE 450 250 0,6 mm Z140	450	250	50	90	0,60		
94306	R RSE 450 300 0,6 mm Z140	450	300	50	65	0,60		
94307	R RSE 450 315 0,6 mm Z140	450	315	50	57,5	0,60		
94308	R RSE 450 355 0,6 mm Z140	450	355	50	37,5	0,60		
94309	R RSE 450 400 0,6 mm Z140	450	400	50	15	0,60		
94310	R RSE 500 200 0,7 mm Z140	500	200	50	140	0,70		
94311	R RSE 500 250 0,7 mm Z140	500	250	50	115	0,70		
94312	R RSE 500 300 0,7 mm Z140	500	300	50	90	0,70		
94313	R RSE 500 315 0,7 mm Z140	500	315	50	82,5	0,70		
94314	R RSE 500 355 0,7 mm Z140	500	355	50	62,5	0,70		
94315	R RSE 500 400 0,7 mm Z140	500	400	50	40	0,70		
94316	R RSE 500 450 0,7 mm Z140	500	450	50	15	0,70		
94317	R RSE 560 250 0,7 mm Z140	560	250	50	145	0,70		
94318	R RSE 560 300 0,7 mm Z140	560	300	50	120	0,70		
94319	R RSE 560 315 0,7 mm Z140	560	315	50	112,5	0,70		
94320	R RSE 560 355 0,7 mm Z140	560	355	50	92,5	0,70		
94321	R RSE 560 400 0,7 mm Z140	560	400	50	70	0,70		
94322	R RSE 560 450 0,7 mm Z140	560	450	50	45	0,70		
94323	R RSE 560 500 0,7 mm Z140	560	500	50	20	0,70		
94324	R RSE 600 250 0,7 mm Z140	600	250	50	165	0,70		
94325	R RSE 600 300 0,7 mm Z140	600	300	50	140	0,70		
94326	R RSE 600 315 0,7 mm Z140	600	315	50	132,5	0,70		
94327	R RSE 600 355 0,7 mm Z140	600	355	50	112,5	0,70		
94328	R RSE 600 400 0,7 mm Z140	600	400	50	90	0,70		
94329	R RSE 600 450 0,7 mm Z140	600	450	50	65	0,70		
94330	R RSE 600 500 0,7 mm Z140	600	500	50	40	0,70		
94331	R RSE 600 560 0,7 mm Z140	600	560	50	10	0,70		
94332	R RSE 630 250 0,7 mm Z140	630	250	50	180	0,70		
94333	R RSE 630 300 0,7 mm Z140	630	300	50	155	0,70		
94334	R RSE 630 315 0,7 mm Z140	630	315	50	147,5	0,70		
94335	R RSE 630 355 0,7 mm Z140	630	355	50	127,5	0,70		
94336	R RSE 630 400 0,7 mm Z140	630	400	50	105	0,70		
94337	R RSE 630 450 0,7 mm Z140	630	450	50	80	0,70		
94338	R RSE 630 500 0,7 mm Z140	630	500	50	55	0,70		

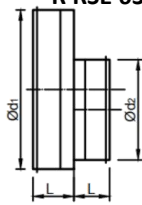
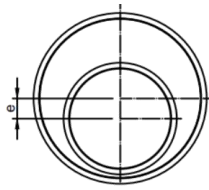
Note

For the other sizes, please contact the commercial department.

SPIRAL®SYSTEM ROUND VENTILATION DUCTS AND FITTINGS

Circular reductions

Short Eccentric segmented reducer R RSE



Product Code Model

R RSE 630 560 0,7 mm Z140

Explanation:

R RSE Type

630 Diameter d1 [mm]

560 Diameter d2 [mm]

0,7 mm Thickness δ [mm]

Z140 Class

SKU	TYPE	Diameter d1 [mm]	Diameter d2 [mm]	L [mm]	A [mm]	Thickness δ [mm]		
94339	R RSE 630 560 0,7 mm Z140	630	560	50	25	0,70		
94340	R RSE 630 600 0,7 mm Z140	630	600	50	5	0,70		
94341	R RSE 710 355 0,7 mm Z140	710	355	50,0	167,5	0,70		
94342	R RSE 710 400 0,7 mm Z140	710	400	50,0	145	0,70		
94343	R RSE 710 450 0,7 mm Z140	710	450	50,0	120	0,70		
94344	R RSE 710 500 0,7 mm Z140	710	500	50,0	95	0,70		
94345	R RSE 710 560 0,7 mm Z140	710	560	50,0	65	0,70		
94346	R RSE 710 600 0,7 mm Z140	710	600	50,0	45	0,70		
94347	R RSE 710 630 0,7 mm Z140	710	630	50,0	30	0,70		
94348	R RSE 800 400 0,8 mm Z140	800	400	50,0	190	0,80		
94349	R RSE 800 450 0,8 mm Z140	800	450	50,0	165	0,80		
94350	R RSE 800 500 0,8 mm Z140	800	500	50,0	140	0,80		
94351	R RSE 800 560 0,8 mm Z140	800	560	50,0	110	0,80		
94352	R RSE 800 600 0,8 mm Z140	800	600	50,0	90	0,80		
94353	R RSE 800 630 0,8 mm Z140	800	630	50,0	75	0,80		
94354	R RSE 800 710 0,8 mm Z140	800	710	50,0	35	0,80		
94355	R RSE 900 450 0,8 mm Z140	900	450	50,0	215	0,80		
94356	R RSE 900 500 0,8 mm Z140	900	500	50,0	190	0,80		
94357	R RSE 900 560 0,8 mm Z140	900	560	50,0	160	0,80		
94358	R RSE 900 600 0,8 mm Z140	900	600	50,0	140	0,80		
94359	R RSE 900 630 0,8 mm Z140	900	630	50,0	125	0,80		
94360	R RSE 900 710 0,8 mm Z140	900	710	50,0	85	0,80		
94361	R RSE 900 800 0,8 mm Z140	900	800	50,0	40	0,80		
94362	R RSE 1000 500 0,8 mm Z140	1000	500	50,0	240	0,80		
94363	R RSE 1000 560 0,8 mm Z140	1000	560	50,0	210	0,80		
94364	R RSE 1000 600 0,8 mm Z140	1000	600	50,0	190	0,80		
94365	R RSE 1000 630 0,8 mm Z140	1000	630	50,0	175	0,80		
94366	R RSE 1000 710 0,8 mm Z140	1000	710	50,0	135	0,80		
94367	R RSE 1000 800 0,8 mm Z140	1000	800	50,0	90	0,80		
94368	R RSE 1000 900 0,8 mm Z140	1000	900	50,0	40	0,80		
94369	R RSE 1120 600 1 mm Z140	1120	600	50,0	250	1,00		
94370	R RSE 1120 630 1 mm Z140	1120	630	50,0	235	1,00		
94371	R RSE 1120 710 1 mm Z140	1120	710	50,0	195	1,00		
94372	R RSE 1120 800 1 mm Z140	1120	800	50,0	150	1,00		
94373	R RSE 1120 900 1 mm Z140	1120	900	50,0	100	1,00		
94374	R RSE 1120 1000 1 mm Z140	1120	1000	50,0	50	1,00		

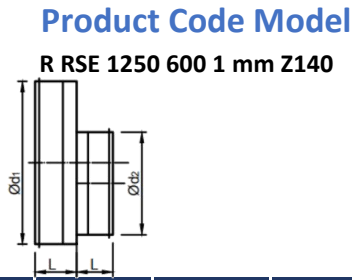
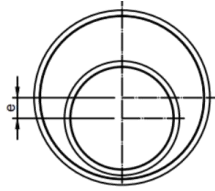
Note

For the other sizes, please contact the commercial department.

SPIRAL®SYSTEM ROUND VENTILATION DUCTS AND FITTINGS

Circular reductions

Short Eccentric segmented reducer R RSE



Product Code Model

R RSE 1250 600 1 mm Z140

Explanation:

- R RSE** Type
- 1250** Diameter d1 [mm]
- 600** Diameter d2 [mm]
- 1 mm** Thickness δ [mm]
- Z140** Class

SKU	TYPE	Diameter d1 [mm]	Diameter d2 [mm]	L [mm]	A [mm]	Thickness δ [mm]		
94375	R RSE 1250 600 1 mm Z140	1250	600	50,0	315	1,00		
94376	R RSE 1250 630 1 mm Z140	1250	630	50,0	300	1,00		
94377	R RSE 1250 710 1 mm Z140	1250	710	50	260	1,00		
94378	R RSE 1250 800 1 mm Z140	1250	800	50	215	1,00		
94379	R RSE 1250 900 1 mm Z140	1250	900	50	165	1,00		
94380	R RSE 1250 1000 1 mm Z140	1250	1000	50	115	1,00		
94381	R RSE 1250 1120 1 mm Z140	1250	1120	50	55	1,00		

Note

For the other sizes, please contact the commercial department.

SPIRAL®SYSTEM ROUND VENTILATION DUCTS AND FITTINGS

Circular reductions

Short Concentric segmented reducer R RSS



Description:

Short Segmented reducers have end caps with a port of a smaller diameter than the flat body diameter.

Used Material:

Galvanized steel DX51, Class Z140.

Note:

The thickness of the galvanized sheet varies depending on the diameter.

Product Code Model

R RSS 100 80 0,5 mm Z140

Explanation:

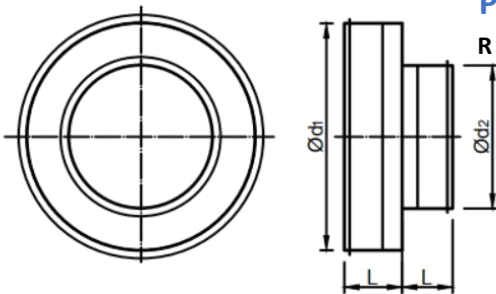
R RSS Type

100 Diameter d1 [mm]

80 Diameter d2 [mm]

0,5 mm Thickness δ [mm]

Z140 Class



SKU	TYPE	Diameter d1 [mm]	Diameter d2 [mm]	L [mm]	Thickness δ [mm]			
114289	R RSS 100 80 0,5 mm Z140	100	80	50	0,50			
114290	R RSS 125 100 0,5 mm Z140	125	100	50	0,50			
94472	R RSS 160 125 0,5 mm Z140	160	125	50	0,50			
94473	R RSS 200 125 0,5 mm Z140	200	125	50	0,50			
94474	R RSS 200 160 0,5 mm Z140	200	160	50	0,50			
94475	R RSS 250 125 0,5 mm Z140	250	125	50	0,50			
94476	R RSS 250 160 0,5 mm Z140	250	160	50	0,50			
94477	R RSS 250 200 0,5 mm Z140	250	200	50	0,50			
94478	R RSS 300 125 0,6 mm Z140	300	125	50	0,60			
94479	R RSS 300 160 0,6 mm Z140	300	160	50	0,60			
94480	R RSS 300 200 0,6 mm Z140	300	200	50	0,60			
94481	R RSS 300 250 0,6 mm Z140	300	250	50	0,60			
94482	R RSS 315 125 0,6 mm Z140	315	125	50	0,60			
94483	R RSS 315 160 0,6 mm Z140	315	160	50	0,60			
94484	R RSS 315 200 0,6 mm Z140	315	200	50	0,60			
94485	R RSS 315 250 0,6 mm Z140	315	250	50	0,60			
94486	R RSS 355 160 0,6 mm Z140	355	160	50	0,60			
94487	R RSS 355 200 0,6 mm Z140	355	200	50	0,60			
94488	R RSS 355 250 0,6 mm Z140	355	250	50	0,60			
94489	R RSS 355 300 0,6 mm Z140	355	300	50	0,60			
94490	R RSS 355 315 0,6 mm Z140	355	315	50	0,60			
94491	R RSS 400 160 0,6 mm Z140	400	160	50	0,60			
94492	R RSS 400 200 0,6 mm Z140	400	200	50	0,60			
94493	R RSS 400 250 0,6 mm Z140	400	250	50	0,60			
94494	R RSS 400 300 0,6 mm Z140	400	300	50	0,60			
94495	R RSS 400 315 0,6 mm Z140	400	315	50	0,60			

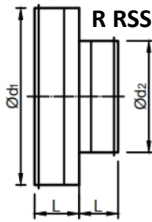
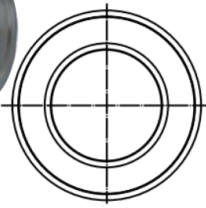
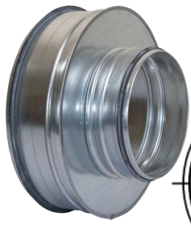
Note

For the other sizes, please contact the commercial department.

SPIRAL®SYSTEM ROUND VENTILATION DUCTS AND FITTINGS

Circular reductions

Short Concentric segmented reducer R RSS



Product Code Model

R RSS 400 355 0,6 mm Z140

Explanation:

R RSS Type

400 Diameter d1 [mm]

355 Diameter d2 [mm]

0,6 mm Thickness δ [mm]

Z140 Class

SKU	TYPE	Diameter d1 [mm]	Diameter d2 [mm]	L [mm]	Thickness δ [mm]			
94496	R RSS 400 355 0,6 mm Z140	400	355	50	0,60			
94497	R RSS 450 200 0,6 mm Z140	450	200	50	0,60			
94498	R RSS 450 250 0,6 mm Z140	450	250	50	0,60			
94499	R RSS 450 300 0,6 mm Z140	450	300	50	0,60			
94500	R RSS 450 315 0,6 mm Z140	450	315	50	0,60			
94501	R RSS 450 355 0,6 mm Z140	450	355	50	0,60			
94502	R RSS 450 400 0,6 mm Z140	450	400	50	0,60			
94503	R RSS 500 200 0,7 mm Z140	500	200	50	0,70			
94504	R RSS 500 250 0,7 mm Z140	500	250	50	0,70			
94505	R RSS 500 300 0,7 mm Z140	500	300	50	0,70			
94506	R RSS 500 315 0,7 mm Z140	500	315	50	0,70			
94507	R RSS 500 355 0,7 mm Z140	500	355	50	0,70			
94508	R RSS 500 400 0,7 mm Z140	500	400	50	0,70			
94509	R RSS 500 450 0,7 mm Z140	500	450	50	0,70			
94510	R RSS 560 250 0,7 mm Z140	560	250	50	0,70			
94511	R RSS 560 300 0,7 mm Z140	560	300	50	0,70			
94512	R RSS 560 315 0,7 mm Z140	560	315	50	0,70			
94513	R RSS 560 355 0,7 mm Z140	560	355	50	0,70			
94514	R RSS 560 400 0,7 mm Z140	560	400	50	0,70			
94515	R RSS 560 450 0,7 mm Z140	560	450	50	0,70			
94516	R RSS 560 500 0,7 mm Z140	560	500	50	0,70			
94517	R RSS 600 250 0,7 mm Z140	600	250	50	0,70			
94518	R RSS 600 300 0,7 mm Z140	600	300	50	0,70			
94519	R RSS 600 315 0,7 mm Z140	600	315	50	0,70			
94520	R RSS 600 355 0,7 mm Z140	600	355	50	0,70			
94521	R RSS 600 400 0,7 mm Z140	600	400	50	0,70			
94522	R RSS 600 450 0,7 mm Z140	600	450	50	0,70			
94523	R RSS 600 500 0,7 mm Z140	600	500	50	0,70			
94524	R RSS 600 560 0,7 mm Z140	600	560	50	0,70			
94525	R RSS 630 250 0,7 mm Z140	630	250	50	0,70			
94526	R RSS 630 300 0,7 mm Z140	630	300	50	0,70			
94527	R RSS 630 315 0,7 mm Z140	630	315	50	0,70			
94528	R RSS 630 355 0,7 mm Z140	630	355	50	0,70			
94529	R RSS 630 400 0,7 mm Z140	630	400	50	0,70			
94530	R RSS 630 450 0,7 mm Z140	630	450	50	0,70			
94531	R RSS 630 500 0,7 mm Z140	630	500	50	0,70			

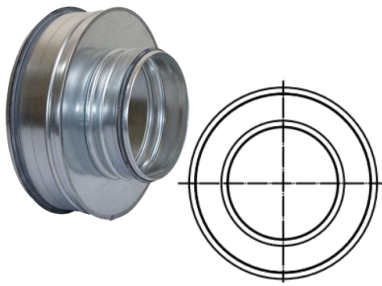
Note

For the other sizes, please contact the commercial department.

SPIRAL®SYSTEM ROUND VENTILATION DUCTS AND FITTINGS

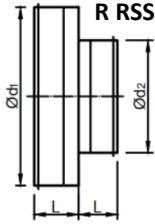
Circular reductions

Short Concentric segmented reducer R RSS



Product Code Model

R RSS 630 560 0,7 mm Z140



Explanation:

- R RSS** Type
- 630** Diameter d1 [mm]
- 560** Diameter d2 [mm]
- 0,7 mm** Thickness δ [mm]
- Z140** Class

SKU	TYPE	Diameter d1 [mm]	Diameter d2 [mm]	L [mm]	Thickness δ [mm]			
94532	R RSS 630 560 0,7 mm Z140	630	560	50	0,70			
94533	R RSS 630 600 0,7 mm Z140	630	600	50	0,70			
94534	R RSS 710 355 0,7 mm Z140	710	355	50	0,70			
94535	R RSS 710 400 0,7 mm Z140	710	400	50	0,70			
94536	R RSS 710 450 0,7 mm Z140	710	450	50	0,70			
94537	R RSS 710 500 0,7 mm Z140	710	500	50	0,70			
94538	R RSS 710 560 0,7 mm Z140	710	560	50	0,70			
94539	R RSS 710 600 0,7 mm Z140	710	600	50	0,70			
94540	R RSS 710 630 0,7 mm Z140	710	630	50	0,70			
94541	R RSS 800 400 0,8 mm Z140	800	400	50	0,80			
94542	R RSS 800 450 0,8 mm Z140	800	450	50	0,80			
94543	R RSS 800 500 0,8 mm Z140	800	500	50	0,80			
94544	R RSS 800 560 0,8 mm Z140	800	560	50	0,80			
94545	R RSS 800 600 0,8 mm Z140	800	600	50	0,80			
94546	R RSS 800 630 0,8 mm Z140	800	630	50	0,80			
94547	R RSS 800 710 0,8 mm Z140	800	710	50	0,80			
94548	R RSS 900 450 0,8 mm Z140	900	450	50	0,80			
94549	R RSS 900 500 0,8 mm Z140	900	500	50	0,80			
94550	R RSS 900 560 0,8 mm Z140	900	560	50	0,80			
94551	R RSS 900 600 0,8 mm Z140	900	600	50	0,80			
94552	R RSS 900 630 0,8 mm Z140	900	630	50	0,80			
94553	R RSS 900 710 0,8 mm Z140	900	710	50	0,80			
94554	R RSS 900 800 0,8 mm Z140	900	800	50	0,80			
94555	R RSS 1000 500 0,8 mm Z140	1000	500	50	0,80			
94556	R RSS 1000 560 0,8 mm Z140	1000	560	50	0,80			
94557	R RSS 1000 600 0,8 mm Z140	1000	600	50	0,80			
94558	R RSS 1000 630 0,8 mm Z140	1000	630	50	0,80			
94559	R RSS 1000 710 0,8 mm Z140	1000	710	50	0,80			
94560	R RSS 1000 800 0,8 mm Z140	1000	800	50	0,80			
94561	R RSS 1000 900 0,8 mm Z140	1000	900	50	0,80			
94562	R RSS 1120 600 1 mm Z140	1120	600	50	1,00			
94563	R RSS 1120 630 1 mm Z140	1120	630	50	1,00			
94564	R RSS 1120 710 1 mm Z140	1120	710	50	1,00			
94565	R RSS 1120 800 1 mm Z140	1120	800	50	1,00			
94566	R RSS 1120 900 1 mm Z140	1120	900	50	1,00			
94567	R RSS 1120 1000 1 mm Z140	1120	1000	50	1,00			

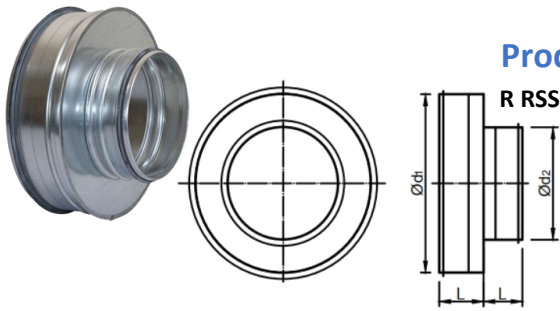
Note

For the other sizes, please contact the commercial department.

SPIRAL®SYSTEM ROUND VENTILATION DUCTS AND FITTINGS

Circular reductions

Short Concentric segmented reducer R RSS



Product Code Model

R RSS 1250 600 1 mm Z140

Explanation:

- R RSS** Type
- 1250** Diameter d1 [mm]
- 600** Diameter d2 [mm]
- 1 mm** Thickness δ [mm]
- Z140** Class

SKU	TYPE	Diameter d1 [mm]	Diameter d2 [mm]	L [mm]	Thickness δ [mm]			
94568	R RSS 1250 600 1 mm Z140	1250	600	50	1,00			
94569	R RSS 1250 630 1 mm Z140	1250	630	50	1,00			
94570	R RSS 1250 710 1 mm Z140	1250	710	50	1,00			
94571	R RSS 1250 800 1 mm Z140	1250	800	50	1,00			
94572	R RSS 1250 900 1 mm Z140	1250	900	50	1,00			
94573	R RSS 1250 1000 1 mm Z140	1250	1000	50	1,00			
94574	R RSS 1250 1120 1 mm Z140	1250	1120	50	1,00			

Note

For the other sizes, please contact the commercial department.

SPIRAL®SYSTEM ROUND VENTILATION DUCTS AND FITTINGS

Saddles

Saddle R RASA



Description:

Saddle is a round connecting part with a surface designed to create branches at an angle of 90° in both the intake and exhaust systems.

Used Material:

Galvanized steel DX51, Class Z140.

Note:

The thickness of the galvanized sheet varies depending on the diameter.

Product Code Model

R RASA 125 125 0,5 mm Z140

Explanation:

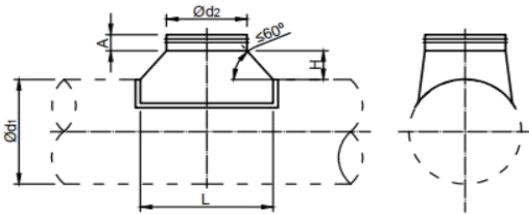
R RASA Type

125 Diameter d1 [mm]

125 Diameter d2 [mm]

0,5 mm Thickness δ [mm]

Z140 Class



SKU	TYPE	Diameter d1 [mm]	Diameter d2 [mm]	L [mm]	H [mm]	A [mm]	Thickness δ [mm]	
94665	R RASA 125 125 0,5 mm Z140	125	125	206	70	50	0,50	
94666	R RASA 125 160 0,5 mm Z140	125	160	241	70	50	0,50	
94667	R RASA 125 200 0,5 mm Z140	125	200	281	70	50	0,50	
94668	R RASA 160 125 0,5 mm Z140	160	125	206	70	50	0,50	
94669	R RASA 160 160 0,5 mm Z140	160	160	241	70	50	0,50	
94670	R RASA 160 200 0,5 mm Z140	160	200	281	70	50	0,50	
94671	R RASA 160 250 0,5 mm Z140	160	250	331	70	50	0,50	
94672	R RASA 200 125 0,5 mm Z140	200	125	206	70	50	0,50	
94673	R RASA 200 160 0,5 mm Z140	200	160	241	70	50	0,50	
94674	R RASA 200 200 0,5 mm Z140	200	200	281	70	50	0,50	
94675	R RASA 200 250 0,5 mm Z140	200	250	331	70	50	0,50	
94676	R RASA 200 300 0,6 mm Z140	200	300	381	70	50	0,60	
94677	R RASA 200 315 0,6 mm Z140	200	315	396	70	50	0,60	
94678	R RASA 250 125 0,5 mm Z140	250	125	206	70	50	0,50	
94679	R RASA 250 160 0,5 mm Z140	250	160	241	70	50	0,50	
94680	R RASA 250 200 0,5 mm Z140	250	200	281	70	50	0,50	
94681	R RASA 250 250 0,5 mm Z140	250	250	331	70	50	0,50	
94682	R RASA 250 300 0,6 mm Z140	250	300	381	70	50	0,60	
94683	R RASA 250 315 0,6 mm Z140	250	315	396	70	50	0,60	
94684	R RASA 250 355 0,6 mm Z140	250	355	436	70	50	0,60	
94685	R RASA 250 400 0,6 mm Z140	250	400	481	70	50	0,60	
94686	R RASA 300 125 0,5 mm Z140	300	125	206	60	50	0,50	
94687	R RASA 300 160 0,5 mm Z140	300	160	241	60	50	0,50	
94688	R RASA 300 200 0,5 mm Z140	300	200	281	60	50	0,50	
94689	R RASA 300 250 0,5 mm Z140	300	250	331	60	50	0,50	
94690	R RASA 300 300 0,6 mm Z140	300	300	381	60	50	0,60	

Note

For the other sizes, please contact the commercial department.

SPIRAL®SYSTEM ROUND VENTILATION DUCTS AND FITTINGS

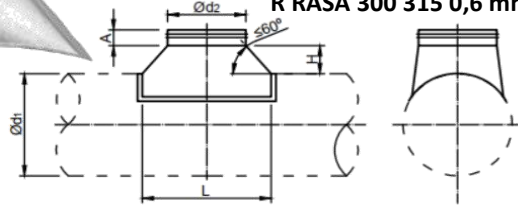
Saddles

Saddle R RASA



Product Code Model

R RASA 300 315 0,6 mm Z140



Explanation:

- R RASA** Type
- 300** Diameter d1 [mm]
- 315** Diameter d2 [mm]
- 0,6 mm** Thickness δ [mm]
- Z140** Class

SKU	TYPE	Diameter d1 [mm]	Diameter d2 [mm]	L [mm]	H [mm]	A [mm]	Thickness δ [mm]	
94691	R RASA 300 315 0,6 mm Z140	300	315	396	60	50	0,60	
94692	R RASA 300 355 0,6 mm Z140	300	355	436	60	50	0,60	
94693	R RASA 300 400 0,6 mm Z140	300	400	481	60	50	0,60	
94694	R RASA 300 450 0,6 mm Z140	300	450	531	60	50	0,60	
94695	R RASA 315 125 0,5 mm Z140	315	125	206	70	50	0,50	
94696	R RASA 315 160 0,5 mm Z140	315	160	241	70	50	0,50	
94697	R RASA 315 200 0,5 mm Z140	315	200	281	70	50	0,50	
94698	R RASA 315 250 0,5 mm Z140	315	250	331	70	50	0,50	
94699	R RASA 315 300 0,6 mm Z140	315	300	381	70	50	0,60	
94700	R RASA 315 315 0,6 mm Z140	315	315	396	70	50	0,60	
94701	R RASA 315 355 0,6 mm Z140	315	355	436	70	50	0,60	
94702	R RASA 315 400 0,6 mm Z140	315	400	481	70	50	0,60	
94703	R RASA 315 450 0,6 mm Z140	315	450	531	70	50	0,60	
94704	R RASA 315 500 0,7 mm Z140	315	500	581	70	50	0,70	
94705	R RASA 355 125 0,5 mm Z140	355	125	206	70	50	0,50	
94706	R RASA 355 160 0,5 mm Z140	355	160	241	70	50	0,50	
94707	R RASA 355 200 0,5 mm Z140	355	200	281	70	50	0,50	
94708	R RASA 355 250 0,5 mm Z140	355	250	331	70	50	0,50	
94709	R RASA 355 300 0,6 mm Z140	355	300	381	70	50	0,60	
94710	R RASA 355 315 0,6 mm Z140	355	315	396	70	50	0,60	
94711	R RASA 355 355 0,6 mm Z140	355	355	436	70	50	0,60	
94712	R RASA 355 400 0,6 mm Z140	355	400	481	70	50	0,60	
94713	R RASA 355 450 0,6 mm Z140	355	450	531	70	50	0,60	
94714	R RASA 355 500 0,7 mm Z140	355	500	581	70	50	0,70	
94715	R RASA 355 560 0,7 mm Z140	355	560	641	70	50	0,70	
94716	R RASA 400 125 0,5 mm Z140	400	125	206	70	50	0,50	
94717	R RASA 400 160 0,5 mm Z140	400	160	241	70	50	0,50	
94718	R RASA 400 200 0,5 mm Z140	400	200	281	70	50	0,50	
94719	R RASA 400 250 0,5 mm Z140	400	250	331	70	50	0,50	
94720	R RASA 400 300 0,6 mm Z140	400	300	381	70	50	0,60	
94721	R RASA 400 315 0,6 mm Z140	400	315	396	70	50	0,60	
94722	R RASA 400 355 0,6 mm Z140	400	355	436	70	50	0,60	
94723	R RASA 400 400 0,6 mm Z140	400	400	481	70	50	0,60	
94724	R RASA 400 450 0,6 mm Z140	400	450	531	70	50	0,60	
94725	R RASA 400 500 0,7 mm Z140	400	500	581	70	50	0,70	
94726	R RASA 400 560 0,7 mm Z140	400	560	641	70	50	0,70	

Note

For the other sizes, please contact the commercial department.

SPIRAL®SYSTEM ROUND VENTILATION DUCTS AND FITTINGS

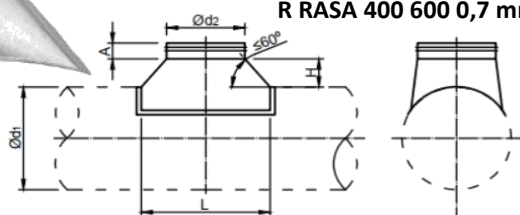
Saddles

Saddle R RASA



Product Code Model

R RASA 400 600 0,7 mm Z140



Explanation:

- R RASA** Type
- 400** Diameter d1 [mm]
- 600** Diameter d2 [mm]
- 0,7 mm** Thickness δ [mm]
- Z140** Class

SKU	TYPE	Diameter d1 [mm]	Diameter d2 [mm]	L [mm]	H [mm]	A [mm]	Thickness δ [mm]	
94727	R RASA 400 600 0,7 mm Z140	400	600	681	70	50	0,70	
94728	R RASA 400 630 0,7 mm Z140	400	630	711	70	50	0,70	
94729	R RASA 450 125 0,5 mm Z140	450	125	206	70	50	0,50	
94730	R RASA 450 160 0,5 mm Z140	450	160	241	70	50	0,50	
94731	R RASA 450 200 0,5 mm Z140	450	200	281	70	50	0,50	
94732	R RASA 450 250 0,5 mm Z140	450	250	331	70	50	0,50	
94733	R RASA 450 300 0,6 mm Z140	450	300	381	70	50	0,60	
94734	R RASA 450 315 0,6 mm Z140	450	315	396	70	50	0,60	
94735	R RASA 450 355 0,6 mm Z140	450	355	436	70	50	0,60	
94736	R RASA 450 400 0,6 mm Z140	450	400	481	70	50	0,60	
94737	R RASA 450 450 0,6 mm Z140	450	450	531	70	50	0,60	
94738	R RASA 450 500 0,7 mm Z140	450	500	581	70	50	0,70	
94739	R RASA 450 560 0,7 mm Z140	450	560	641	70	50	0,70	
94740	R RASA 450 600 0,7 mm Z140	450	600	681	70	50	0,70	
94741	R RASA 450 630 0,7 mm Z140	450	630	711	70	50	0,70	
94742	R RASA 450 710 0,7 mm Z140	450	710	791	70	50	0,70	
94743	R RASA 500 125 0,5 mm Z140	500	125	206	70	50	0,50	
94744	R RASA 500 160 0,5 mm Z140	500	160	241	70	50	0,50	
94745	R RASA 500 200 0,5 mm Z140	500	200	281	70	50	0,50	
94746	R RASA 500 250 0,5 mm Z140	500	250	331	70	50	0,50	
94747	R RASA 500 300 0,6 mm Z140	500	300	381	70	50	0,60	
94748	R RASA 500 315 0,6 mm Z140	500	315	396	70	50	0,60	
94749	R RASA 500 355 0,6 mm Z140	500	355	436	70	50	0,60	
94750	R RASA 500 400 0,6 mm Z140	500	400	481	70	50	0,60	
94751	R RASA 500 450 0,6 mm Z140	500	450	531	70	50	0,60	
94752	R RASA 500 500 0,7 mm Z140	500	500	581	70	50	0,70	
94753	R RASA 500 560 0,7 mm Z140	500	560	641	70	50	0,70	
94754	R RASA 500 600 0,7 mm Z140	500	600	681	70	50	0,70	
94755	R RASA 500 630 0,7 mm Z140	500	630	711	70	50	0,70	
94756	R RASA 500 710 0,7 mm Z140	500	710	791	70	50	0,70	
94757	R RASA 500 800 0,8 mm Z140	500	800	881	70	50	0,80	
94758	R RASA 560 200 0,5 mm Z140	560	200	281	70	50	0,50	
94759	R RASA 560 250 0,5 mm Z140	560	250	331	70	50	0,50	
94760	R RASA 560 300 0,6 mm Z140	560	300	381	70	50	0,60	
94761	R RASA 560 315 0,6 mm Z140	560	315	396	70	50	0,60	
94762	R RASA 560 355 0,6 mm Z140	560	355	436	70	50	0,60	

Note

For the other sizes, please contact the commercial department.

SPIRAL®SYSTEM ROUND VENTILATION DUCTS AND FITTINGS

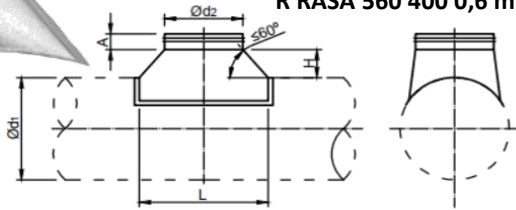
Saddles

Saddle R RASA



Product Code Model

R RASA 560 400 0,6 mm Z140



Explanation:

- R RASA** Type
- 560** Diameter d1 [mm]
- 400** Diameter d2 [mm]
- 0,6 mm** Thickness δ [mm]
- Z140** Class

SKU	TYPE	Diameter d1 [mm]	Diameter d2 [mm]	L [mm]	H [mm]	A [mm]	Thickness δ [mm]	
94763	R RASA 560 400 0,6 mm Z140	560	400	481	70	50	0,60	
94764	R RASA 560 450 0,6 mm Z140	560	450	531	70	50	0,60	
94765	R RASA 560 500 0,7 mm Z140	560	500	581	70	50	0,70	
94766	R RASA 560 560 0,7 mm Z140	560	560	641	70	50	0,70	
94767	R RASA 560 600 0,7 mm Z140	560	600	681	70	50	0,70	
94768	R RASA 560 630 0,7 mm Z140	560	630	711	70	50	0,70	
94769	R RASA 560 710 0,7 mm Z140	560	710	791	70	50	0,70	
94770	R RASA 560 800 0,8 mm Z140	560	800	881	70	50	0,80	
94771	R RASA 560 900 0,8 mm Z140	560	900	981	70	50	0,80	
94772	R RASA 600 200 0,5 mm Z140	600	200	281	70	50	0,50	
94773	R RASA 600 250 0,5 mm Z140	600	250	331	70	50	0,50	
94774	R RASA 600 300 0,6 mm Z140	600	300	381	70	50	0,60	
94775	R RASA 600 315 0,6 mm Z140	600	315	396	70	50	0,60	
94776	R RASA 600 355 0,6 mm Z140	600	355	436	70	50	0,60	
94777	R RASA 600 400 0,6 mm Z140	600	400	481	70	50	0,60	
94778	R RASA 600 450 0,6 mm Z140	600	450	531	70	50	0,60	
94779	R RASA 600 500 0,7 mm Z140	600	500	581	70	50	0,70	
94780	R RASA 600 560 0,7 mm Z140	600	560	641	70	50	0,70	
94781	R RASA 600 600 0,7 mm Z140	600	600	681	70	50	0,70	
94782	R RASA 600 630 0,7 mm Z140	600	630	711	70	50	0,70	
94783	R RASA 600 710 0,7 mm Z140	600	710	791	70	50	0,70	
94784	R RASA 600 800 0,8 mm Z140	600	800	881	70	50	0,80	
94785	R RASA 600 900 0,8 mm Z140	600	900	981	70	50	0,80	
94786	R RASA 630 200 0,5 mm Z140	630	200	281	70	50	0,50	
94787	R RASA 630 250 0,5 mm Z140	630	250	331	70	50	0,50	
94788	R RASA 630 300 0,6 mm Z140	630	300	381	70	50	0,60	
94789	R RASA 630 315 0,6 mm Z140	630	315	396	70	50	0,60	
94790	R RASA 630 355 0,6 mm Z140	630	355	436	70	50	0,60	
94791	R RASA 630 400 0,6 mm Z140	630	400	481	70	50	0,60	
94792	R RASA 630 450 0,6 mm Z140	630	450	531	70	50	0,60	
94793	R RASA 630 500 0,7 mm Z140	630	500	581	70	50	0,70	
94794	R RASA 630 560 0,7 mm Z140	630	560	641	70	50	0,70	
94795	R RASA 630 600 0,7 mm Z140	630	600	681	70	50	0,70	
94796	R RASA 630 630 0,7 mm Z140	630	630	711	70	50	0,70	
94797	R RASA 630 710 0,7 mm Z140	630	710	791	70	50	0,70	
94798	R RASA 630 800 0,8 mm Z140	630	800	881	70	50	0,80	

Note

For the other sizes, please contact the commercial department.

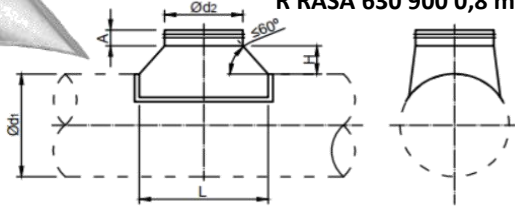
SPIRAL®SYSTEM ROUND VENTILATION DUCTS AND FITTINGS

Saddle R RASA



Product Code Model

R RASA 630 900 0,8 mm Z140



Saddles

Explanation:

- Type
- Diameter d1 [mm]
- Diameter d2 [mm]
- Thickness δ [mm]
- Class

R RASA
630
900
0,8 mm
Z140

SKU	TYPE	Diameter d1 [mm]	Diameter d2 [mm]	L [mm]	H [mm]	A [mm]	Thickness δ [mm]	
94799	R RASA 630 900 0,8 mm Z140	630	900	981	70	50	0,80	
94800	R RASA 630 1000 0,8 mm Z140	630	1000	1081	70	50	0,80	
94801	R RASA 710 250 0,5 mm Z140	710	250	331	70	50	0,50	
94802	R RASA 710 300 0,6 mm Z140	710	300	381	70	50	0,60	
94803	R RASA 710 315 0,6 mm Z140	710	315	396	70	50	0,60	
94804	R RASA 710 355 0,6 mm Z140	710	355	436	70	50	0,60	
94805	R RASA 710 400 0,6 mm Z140	710	400	481	70	50	0,60	
94806	R RASA 710 450 0,6 mm Z140	710	450	531	70	50	0,60	
94807	R RASA 710 500 0,7 mm Z140	710	500	581	70	50	0,70	
94808	R RASA 710 560 0,7 mm Z140	710	560	641	70	50	0,70	
94809	R RASA 710 600 0,7 mm Z140	710	600	681	70	50	0,70	
94810	R RASA 710 630 0,7 mm Z140	710	630	711	70	50	0,70	
94811	R RASA 710 710 0,7 mm Z140	710	710	791	70	50	0,70	
94812	R RASA 710 800 0,8 mm Z140	710	800	881	70	50	0,80	
94813	R RASA 710 900 0,8 mm Z140	710	900	981	70	50	0,80	
94814	R RASA 710 1000 0,8 mm Z140	710	1000	1081	70	50	0,80	
94815	R RASA 800 250 0,5 mm Z140	800	250	331	70	50	0,50	
94816	R RASA 800 300 0,6 mm Z140	800	300	381	70	50	0,60	
94817	R RASA 800 315 0,6 mm Z140	800	315	396	70	50	0,60	
94818	R RASA 800 355 0,6 mm Z140	800	355	436	70	50	0,60	
94819	R RASA 800 400 0,6 mm Z140	800	400	481	70	50	0,60	
94820	R RASA 800 450 0,6 mm Z140	800	450	531	70	50	0,60	
94821	R RASA 800 500 0,7 mm Z140	800	500	581	70	50	0,70	
94822	R RASA 800 560 0,7 mm Z140	800	560	641	70	50	0,70	
94823	R RASA 800 600 0,7 mm Z140	800	600	681	70	50	0,70	
94824	R RASA 800 630 0,7 mm Z140	800	630	711	70	50	0,70	
94825	R RASA 800 710 0,7 mm Z140	800	710	791	70	50	0,70	
94826	R RASA 800 800 0,8 mm Z140	800	800	881	70	50	0,80	
94827	R RASA 800 900 0,8 mm Z140	800	900	981	70	50	0,80	
94828	R RASA 800 1000 0,8 mm Z140	800	1000	1081	70	50	0,80	
94829	R RASA 800 1120 1 mm Z140	800	1120	1201	70	50	1,00	
94830	R RASA 800 1250 1 mm Z140	800	1250	1331	70	50	1,00	
94831	R RASA 900 315 0,6 mm Z140	900	315	396	70	50	0,60	
94832	R RASA 900 355 0,6 mm Z140	900	355	436	70	50	0,60	
94833	R RASA 900 400 0,6 mm Z140	900	400	481	70	50	0,60	
94834	R RASA 900 450 0,6 mm Z140	900	450	531	70	50	0,60	

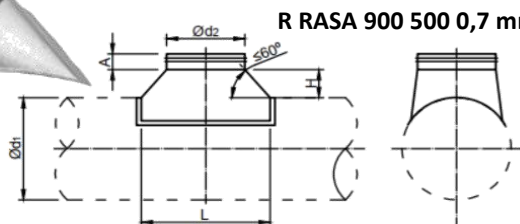
Note

For the other sizes, please contact the commercial department.

SPIRAL®SYSTEM ROUND VENTILATION DUCTS AND FITTINGS

Saddles

Saddle R RASA



Product Code Model

R RASA 900 500 0,7 mm Z140

Explanation:

- R RASA** Type
- 900** Diameter d1 [mm]
- 500** Diameter d2 [mm]
- 0,7 mm** Thickness δ [mm]
- Z140** Class

SKU	TYPE	Diameter d1 [mm]	Diameter d2 [mm]	L [mm]	H [mm]	A [mm]	Thickness δ [mm]	
94835	R RASA 900 500 0,7 mm Z140	900	500	581	70	50	0,70	
94836	R RASA 900 560 0,7 mm Z140	900	560	641	70	50	0,70	
94837	R RASA 900 600 0,7 mm Z140	900	600	681	70	50	0,70	
94838	R RASA 900 630 0,7 mm Z140	900	630	711	70	50	0,70	
94839	R RASA 900 710 0,7 mm Z140	900	710	791	70	50	0,70	
94840	R RASA 900 800 0,8 mm Z140	900	800	881	70	50	0,80	
94841	R RASA 900 900 0,8 mm Z140	900	900	981	70	50	0,80	
94842	R RASA 900 1000 0,8 mm Z140	900	1000	1081	70	50	0,80	
94843	R RASA 900 1120 1 mm Z140	900	1120	1201	70	50	1,00	
94844	R RASA 900 1250 1 mm Z140	900	1250	1331	70	50	1,00	
94845	R RASA 1000 315 0,6 mm Z140	1000	315	396	70	50	0,60	
94846	R RASA 1000 400 0,6 mm Z140	1000	400	481	70	50	0,60	
94847	R RASA 1000 450 0,6 mm Z140	1000	450	531	70	50	0,60	
94848	R RASA 1000 500 0,7 mm Z140	1000	500	581	70	50	0,70	
94849	R RASA 1000 560 0,7 mm Z140	1000	560	641	70	50	0,70	
94850	R RASA 1000 600 0,7 mm Z140	1000	600	681	70	50	0,70	
94851	R RASA 1000 630 0,7 mm Z140	1000	630	711	70	50	0,70	
94852	R RASA 1000 710 0,7 mm Z140	1000	710	791	70	50	0,70	
94853	R RASA 1000 800 0,8 mm Z140	1000	800	881	70	50	0,80	
94854	R RASA 1000 900 0,8 mm Z140	1000	900	981	70	50	0,80	
94855	R RASA 1000 1000 0,8 mm Z140	1000	1000	1081	70	50	0,80	
94856	R RASA 1000 1120 1 mm Z140	1000	1120	1201	70	50	1,00	
94857	R RASA 1000 1250 1 mm Z140	1000	1250	1331	70	50	1,00	
94858	R RASA 1120 500 0,7 mm Z140	1120	500	581	70	50	0,70	
94859	R RASA 1120 560 0,7 mm Z140	1120	560	641	70	50	0,70	
94860	R RASA 1120 600 0,7 mm Z140	1120	600	681	70	50	0,70	
94861	R RASA 1120 630 0,7 mm Z140	1120	630	711	70	50	0,70	
94862	R RASA 1120 710 0,7 mm Z140	1120	710	791	70	50	0,70	
94863	R RASA 1120 800 0,8 mm Z140	1120	800	881	70	50	0,80	
94864	R RASA 1120 900 0,8 mm Z140	1120	900	981	70	50	0,80	
94865	R RASA 1120 1000 0,8 mm Z140	1120	1000	1081	70	50	0,80	
94866	R RASA 1120 1120 1 mm Z140	1120	1120	1201	70	50	1,00	
94867	R RASA 1250 500 0,7 mm Z140	1250	500	581	70	50	0,70	
94868	R RASA 1250 560 0,7 mm Z140	1250	560	641	70	50	0,70	
94869	R RASA 1250 600 0,7 mm Z140	1250	600	681	70	50	0,70	
94870	R RASA 1250 630 0,7 mm Z140	1250	630	711	70	50	0,70	

Note

For the other sizes, please contact the commercial department.

SPIRAL®SYSTEM ROUND VENTILATION DUCTS AND FITTINGS

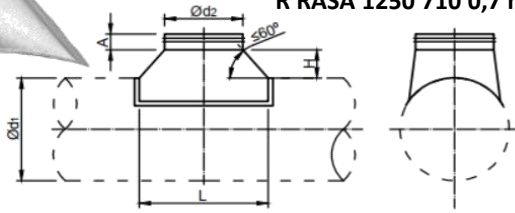
Saddles

Saddle R RASA



Product Code Model

R RASA 1250 710 0,7 mm Z140



Explanation:

- R RASA** Type
- 1250** Diameter d1 [mm]
- 710** Diameter d2 [mm]
- 0,7 mm** Thickness δ [mm]
- Z140** Class

SKU	TYPE	Diameter d1 [mm]	Diameter d2 [mm]	L [mm]	H [mm]	A [mm]	Thickness δ [mm]	
94871	R RASA 1250 710 0,7 mm Z140	1250	710	791	70	50	0,70	
94872	R RASA 1250 800 0,8 mm Z140	1250	800	881	70	50	0,80	
94873	R RASA 1250 900 0,8 mm Z140	1250	900	981	70	50	0,80	
94874	R RASA 1250 1000 0,8 mm Z140	1250	1000	1081	70	50	0,80	
94875	R RASA 1250 1120 1 mm Z140	1250	1120	1201	70	50	1,00	
94876	R RASA 1250 1250 1 mm Z140	1250	1250	1331	70	50	1,00	

Note

For the other sizes, please contact the commercial department.

SPIRAL®SYSTEM ROUND VENTILATION DUCTS AND FITTINGS

Saddles

Short Saddle R RASAS



Description:

The branch piece is a round connecting part with a surface designed to create branches at an angle of 90 ° in both the intake and exhaust systems.

Used Material:

Galvanized steel DX51, Class Z140.

Note:

The thickness of the galvanized sheet varies depending on the diameter.

Product Code Model

R RASAS 100 80 0,5 mm Z140

Explanation:

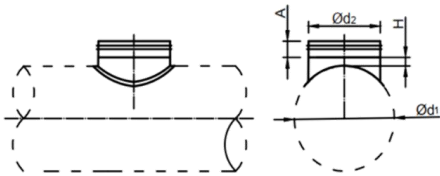
R RASAS Type

100 Diameter d1 [mm]

80 Diameter d2 [mm]

0,5 mm Thickness δ [mm]

Z140 Class



SKU	TYPE	Diameter d1 [mm]	Diameter d2 [mm]	H [mm]	A [mm]	Thickness δ [mm]		
114291	R RASAS 100 80 0,5 mm Z140	100	80	50	50	0,50		
114292	R RASAS 100 100 0,5 mm Z140	100	100	50	50	0,50		
114293	R RASAS 125 80 0,5 mm Z140	125	80	50	50	0,50		
114294	R RASAS 125 100 0,5 mm Z140	125	100	50	50	0,50		
95063	R RASAS 125 125 0,5 mm Z140	125	125	50	50	0,50		
114295	R RASAS 160 80 0,5 mm Z140	160	80	50	50	0,50		
114296	R RASAS 160 100 0,5 mm Z140	160	100	50	50	0,50		
95064	R RASAS 160 125 0,5 mm Z140	160	125	50	50	0,50		
95065	R RASAS 160 160 0,5 mm Z140	160	160	50	50	0,50		
114295	R RASAS 200 80 0,5 mm Z140	200	80	50	50	0,50		
114296	R RASAS 200 100 0,5 mm Z140	200	100	50	50	0,50		
95066	R RASAS 200 125 0,5 mm Z140	200	125	50	50	0,50		
95067	R RASAS 200 160 0,5 mm Z140	200	160	50	50	0,50		
95068	R RASAS 200 200 0,5 mm Z140	200	200	50	50	0,50		
114299	R RASAS 250 80 0,5 mm Z140	250	80	50	50	0,50		
114300	R RASAS 250 100 0,5 mm Z140	250	100	50	50	0,50		
95069	R RASAS 250 125 0,5 mm Z140	250	125	50	50	0,50		
95070	R RASAS 250 160 0,5 mm Z140	250	160	50	50	0,50		
95071	R RASAS 250 200 0,5 mm Z140	250	200	50	50	0,50		
95072	R RASAS 250 250 0,5 mm Z140	250	250	50	50	0,50		
114301	R RASAS 300 80 0,5 mm Z140	300	80	50	50	0,50		
114302	R RASAS 300 100 0,5 mm Z140	300	100	50	50	0,50		
95073	R RASAS 300 125 0,5 mm Z140	300	125	50	50	0,50		
95074	R RASAS 300 160 0,5 mm Z140	300	160	50	50	0,50		
95075	R RASAS 300 200 0,5 mm Z140	300	200	50	50	0,50		
95076	R RASAS 300 250 0,5 mm Z140	300	250	50	50	0,50		

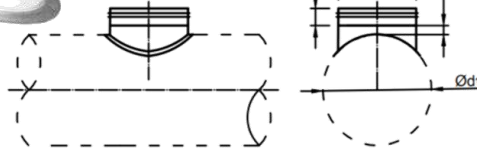
Note

For the other sizes, please contact the commercial department.

SPIRAL®SYSTEM ROUND VENTILATION DUCTS AND FITTINGS

Saddles

Short Saddle R RASAS



Product Code Model

R RASAS 300 300 0,6 mm Z140

Explanation:

- R RASAS** Type
- 300** Diameter d1 [mm]
- 300** Diameter d2 [mm]
- 0,6 mm** Thickness δ [mm]
- Z140** Class

SKU	TYPE	Diameter d1 [mm]	Diameter d2 [mm]	H [mm]	A [mm]	Thickness δ [mm]		
95077	R RASAS 300 300 0,6 mm Z140	300	300	50	50	0,60		
114303	R RASAS 315 80 0,5 mm Z140	315	80	50	50	0,50		
114304	R RASAS 315 100 0,5 mm Z140	315	100	50	50	0,50		
95078	R RASAS 315 125 0,5 mm Z140	315	125	50	50	0,50		
95079	R RASAS 315 160 0,5 mm Z140	315	160	50	50	0,50		
95080	R RASAS 315 200 0,5 mm Z140	315	200	50	50	0,50		
95081	R RASAS 315 250 0,5 mm Z140	315	250	50	50	0,50		
95082	R RASAS 315 300 0,6 mm Z140	315	300	50	50	0,60		
95083	R RASAS 315 315 0,6 mm Z140	315	315	50	50	0,60		
114305	R RASAS 355 80 0,6 mm Z140	355	80	50	50	0,60		
114306	R RASAS 355 100 0,6 mm Z140	355	100	50	50	0,60		
95084	R RASAS 355 125 0,5 mm Z140	355	125	50	50	0,50		
95085	R RASAS 355 160 0,5 mm Z140	355	160	50	50	0,50		
95086	R RASAS 355 200 0,5 mm Z140	355	200	50	50	0,50		
95087	R RASAS 355 250 0,5 mm Z140	355	250	50	50	0,50		
95088	R RASAS 355 300 0,6 mm Z140	355	300	50	50	0,60		
95089	R RASAS 355 315 0,6 mm Z140	355	315	50	50	0,60		
95090	R RASAS 355 355 0,6 mm Z140	355	355	50	50	0,60		
114307	R RASAS 400 80 0,5 mm Z140	400	80	50	50	0,50		
114308	R RASAS 400 100 0,5 mm Z140	400	100	50	50	0,50		
95091	R RASAS 400 125 0,5 mm Z140	400	125	50	50	0,50		
95092	R RASAS 400 160 0,5 mm Z140	400	160	50	50	0,50		
95093	R RASAS 400 200 0,5 mm Z140	400	200	50	50	0,50		
95094	R RASAS 400 250 0,5 mm Z140	400	250	50	50	0,50		
95095	R RASAS 400 300 0,6 mm Z140	400	300	50	50	0,60		
95096	R RASAS 400 315 0,6 mm Z140	400	315	50	50	0,60		
95097	R RASAS 400 355 0,6 mm Z140	400	355	50	50	0,60		
95098	R RASAS 400 400 0,6 mm Z140	400	400	50	50	0,60		
114309	R RASAS 450 80 0,5 mm Z140	450	80	50	50	0,50		
114310	R RASAS 450 100 0,5 mm Z140	450	100	50	50	0,50		
95099	R RASAS 450 125 0,5 mm Z140	450	125	50	50	0,50		
95100	R RASAS 450 160 0,5 mm Z140	450	160	50	50	0,50		
95101	R RASAS 450 200 0,5 mm Z140	450	200	50	50	0,50		
95102	R RASAS 450 250 0,5 mm Z140	450	250	50	50	0,50		
95103	R RASAS 450 300 0,6 mm Z140	450	300	50	50	0,60		
95104	R RASAS 450 315 0,6 mm Z140	450	315	50	50	0,60		

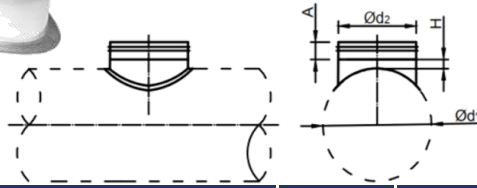
Note

For the other sizes, please contact the commercial department.

SPIRAL®SYSTEM ROUND VENTILATION DUCTS AND FITTINGS

Saddles

Short Saddle R RASAS



Product Code Model

R RASAS 450 355 0,6 mm Z140

Explanation:

- R RASAS** Type
- 450** Diameter d1 [mm]
- 355** Diameter d2 [mm]
- 0,6 mm** Thickness δ [mm]
- Z140** Class

SKU	TYPE	Diameter d1 [mm]	Diameter d2 [mm]	H [mm]	A [mm]	Thickness δ [mm]		
95105	R RASAS 450 355 0,6 mm Z140	450	355	50	50	0,60		
95106	R RASAS 450 400 0,6 mm Z140	450	400	50	50	0,60		
95107	R RASAS 450 450 0,6 mm Z140	450	450	50	50	0,60		
114311	R RASAS 500 80 0,5 mm Z140	500	80	50	50	0,50		
114312	R RASAS 500 100 0,5 mm Z140	500	100	50	50	0,50		
95108	R RASAS 500 125 0,5 mm Z140	500	125	50	50	0,50		
95109	R RASAS 500 160 0,5 mm Z140	500	160	50	50	0,50		
95110	R RASAS 500 200 0,5 mm Z140	500	200	50	50	0,50		
95111	R RASAS 500 250 0,5 mm Z140	500	250	50	50	0,50		
95112	R RASAS 500 300 0,6 mm Z140	500	300	50	50	0,60		
95113	R RASAS 500 315 0,6 mm Z140	500	315	50	50	0,60		
95114	R RASAS 500 355 0,6 mm Z140	500	355	50	50	0,60		
95115	R RASAS 500 400 0,6 mm Z140	500	400	50	50	0,60		
95116	R RASAS 500 450 0,6 mm Z140	500	450	50	50	0,60		
95117	R RASAS 500 500 0,7 mm Z140	500	500	50	50	0,70		
114313	R RASAS 560 80 0,5 mm Z140	560	80	50	50	0,50		
114314	R RASAS 560 100 0,5 mm Z140	560	100	50	50	0,50		
95118	R RASAS 560 125 0,5 mm Z140	560	125	50	50	0,50		
95119	R RASAS 560 160 0,5 mm Z140	560	160	50	50	0,50		
95120	R RASAS 560 200 0,5 mm Z140	560	200	50	50	0,50		
95121	R RASAS 560 250 0,5 mm Z140	560	250	50	50	0,50		
95122	R RASAS 560 300 0,6 mm Z140	560	300	50	50	0,60		
95123	R RASAS 560 315 0,6 mm Z140	560	315	50	50	0,60		
95124	R RASAS 560 355 0,6 mm Z140	560	355	50	50	0,60		
95125	R RASAS 560 400 0,6 mm Z140	560	400	50	50	0,60		
95126	R RASAS 560 450 0,6 mm Z140	560	450	50	50	0,60		
95127	R RASAS 560 500 0,7 mm Z140	560	500	50	50	0,70		
95128	R RASAS 560 560 0,7 mm Z140	560	560	50	50	0,70		
114315	R RASAS 600 80 0,5 mm Z140	600	80	50	50	0,70		
114316	R RASAS 600 100 0,5 mm Z140	600	100	50	50	0,70		
95129	R RASAS 600 125 0,5 mm Z140	600	125	50	50	0,50		
95130	R RASAS 600 160 0,5 mm Z140	600	160	50	50	0,50		
95131	R RASAS 600 200 0,5 mm Z140	600	200	50	50	0,50		
95132	R RASAS 600 250 0,5 mm Z140	600	250	50	50	0,50		
95133	R RASAS 600 300 0,6 mm Z140	600	300	50	50	0,60		
95134	R RASAS 600 315 0,6 mm Z140	600	315	50	50	0,60		

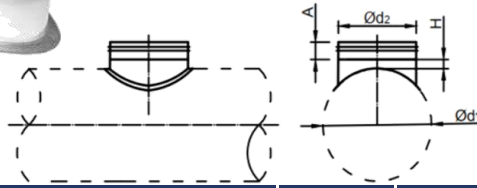
Note

For the other sizes, please contact the commercial department.

SPIRAL®SYSTEM ROUND VENTILATION DUCTS AND FITTINGS

Saddles

Short Saddle R RASAS



Product Code Model

R RASAS 600 355 0,6 mm Z140

Explanation:

- R RASAS** Type
- 600** Diameter d1 [mm]
- 355** Diameter d2 [mm]
- 0,6 mm** Thickness δ [mm]
- Z140** Class

SKU	TYPE	Diameter d1 [mm]	Diameter d2 [mm]	H [mm]	A [mm]	Thickness δ [mm]		
95135	R RASAS 600 355 0,6 mm Z140	600	355	50	50	0,60		
95136	R RASAS 600 400 0,6 mm Z140	600	400	50	50	0,60		
95137	R RASAS 600 450 0,6 mm Z140	600	450	50	50	0,60		
95138	R RASAS 600 500 0,7 mm Z140	600	500	50	50	0,70		
95139	R RASAS 600 560 0,7 mm Z140	600	560	50	50	0,70		
95140	R RASAS 600 600 0,7 mm Z140	600	600	50	50	0,70		
114317	R RASAS 630 80 0,5 mm Z140	630	80	50	50	0,50		
114318	R RASAS 630 100 0,5 mm Z140	630	100	50	50	0,50		
95141	R RASAS 630 125 0,5 mm Z140	630	125	50	50	0,50		
95142	R RASAS 630 160 0,5 mm Z140	630	160	50	50	0,50		
95143	R RASAS 630 200 0,5 mm Z140	630	200	50	50	0,50		
95144	R RASAS 630 250 0,5 mm Z140	630	250	50	50	0,50		
95145	R RASAS 630 300 0,6 mm Z140	630	300	50	50	0,60		
95146	R RASAS 630 315 0,6 mm Z140	630	315	50	50	0,60		
95147	R RASAS 630 355 0,6 mm Z140	630	355	50	50	0,60		
95148	R RASAS 630 400 0,6 mm Z140	630	400	50	50	0,60		
95149	R RASAS 630 450 0,6 mm Z140	630	450	50	50	0,60		
95150	R RASAS 630 500 0,7 mm Z140	630	500	50	50	0,70		
95151	R RASAS 630 560 0,7 mm Z140	630	560	50	50	0,70		
95152	R RASAS 630 600 0,7 mm Z140	630	600	50	50	0,70		
95153	R RASAS 630 630 0,7 mm Z140	630	630	50	50	0,70		
114319	R RASAS 710 80 0,5 mm Z140	710	80	50	50	0,50		
114320	R RASAS 710 100 0,5 mm Z140	710	100	50	50	0,50		
95154	R RASAS 710 125 0,5 mm Z140	710	125	50	50	0,50		
95155	R RASAS 710 160 0,5 mm Z140	710	160	50	50	0,50		
95156	R RASAS 710 200 0,5 mm Z140	710	200	50	50	0,50		
95157	R RASAS 710 250 0,5 mm Z140	710	250	50	50	0,50		
95158	R RASAS 710 300 0,6 mm Z140	710	300	50	50	0,60		
95159	R RASAS 710 315 0,6 mm Z140	710	315	50	50	0,60		
95160	R RASAS 710 355 0,6 mm Z140	710	355	50	50	0,60		
95161	R RASAS 710 400 0,6 mm Z140	710	400	50	50	0,60		
95162	R RASAS 710 450 0,6 mm Z140	710	450	50	50	0,60		
95163	R RASAS 710 500 0,7 mm Z140	710	500	50	50	0,70		
95164	R RASAS 710 560 0,7 mm Z140	710	560	50	50	0,70		
95165	R RASAS 710 600 0,7 mm Z140	710	600	50	50	0,70		
95166	R RASAS 710 630 0,7 mm Z140	710	630	50	50	0,70		

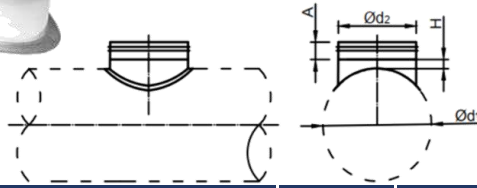
Note

For the other sizes, please contact the commercial department.

SPIRAL®SYSTEM ROUND VENTILATION DUCTS AND FITTINGS

Saddles

Short Saddle R RASAS



Product Code Model

R RASAS 710 710 0,7 mm Z140

Explanation:

R RASAS Type

710 Diameter d1 [mm]

710 Diameter d2 [mm]

0,7 mm Thickness δ [mm]

Z140 Class

SKU	TYPE	Diameter d1 [mm]	Diameter d2 [mm]	H [mm]	A [mm]	Thickness δ [mm]		
95167	R RASAS 710 710 0,7 mm Z140	710	710	50	50	0,70		
114321	R RASAS 800 80 0,5 mm Z140	800	80	50	50	0,50		
114322	R RASAS 800 100 0,5 mm Z140	800	100	50	50	0,50		
95168	R RASAS 800 125 0,5 mm Z140	800	125	50	50	0,50		
95169	R RASAS 800 160 0,5 mm Z140	800	160	50	50	0,50		
95170	R RASAS 800 200 0,5 mm Z140	800	200	50	50	0,50		
95171	R RASAS 800 250 0,5 mm Z140	800	250	50	50	0,50		
95172	R RASAS 800 300 0,6 mm Z140	800	300	50	50	0,60		
95173	R RASAS 800 315 0,6 mm Z140	800	315	50	50	0,60		
95174	R RASAS 800 355 0,6 mm Z140	800	355	50	50	0,60		
95175	R RASAS 800 400 0,6 mm Z140	800	400	50	50	0,60		
95176	R RASAS 800 450 0,6 mm Z140	800	450	50	50	0,60		
95177	R RASAS 800 500 0,7 mm Z140	800	500	50	50	0,70		
95178	R RASAS 800 560 0,7 mm Z140	800	560	50	50	0,70		
95179	R RASAS 800 600 0,7 mm Z140	800	600	50	50	0,70		
95180	R RASAS 800 630 0,7 mm Z140	800	630	50	50	0,70		
95181	R RASAS 800 710 0,7 mm Z140	800	710	50	50	0,70		
95182	R RASAS 800 800 0,8 mm Z140	800	800	50	50	0,80		
114323	R RASAS 900 80 0,5 mm Z140	900	80	50	50	0,50		
114324	R RASAS 900 100 0,5 mm Z140	900	100	50	50	0,50		
95183	R RASAS 900 125 0,5 mm Z140	900	125	50	50	0,50		
95184	R RASAS 900 160 0,5 mm Z140	900	160	50	50	0,50		
95185	R RASAS 900 200 0,5 mm Z140	900	200	50	50	0,50		
95186	R RASAS 900 250 0,5 mm Z140	900	250	50	50	0,50		
95187	R RASAS 900 300 0,6 mm Z140	900	300	50	50	0,60		
95188	R RASAS 900 315 0,6 mm Z140	900	315	50	50	0,60		
95189	R RASAS 900 355 0,6 mm Z140	900	355	50	50	0,60		
95190	R RASAS 900 400 0,6 mm Z140	900	400	50	50	0,60		
95191	R RASAS 900 450 0,6 mm Z140	900	450	50	50	0,60		
95192	R RASAS 900 500 0,7 mm Z140	900	500	50	50	0,70		
95193	R RASAS 900 560 0,7 mm Z140	900	560	50	50	0,70		
95194	R RASAS 900 600 0,7 mm Z140	900	600	50	50	0,70		
95195	R RASAS 900 630 0,7 mm Z140	900	630	50	50	0,70		
95196	R RASAS 900 710 0,7 mm Z140	900	710	50	50	0,70		
95197	R RASAS 900 800 0,8 mm Z140	900	800	50	50	0,80		
95198	R RASAS 900 900 0,8 mm Z140	900	900	50	50	0,80		

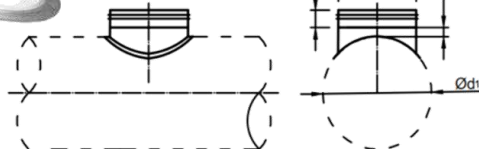
Note

For the other sizes, please contact the commercial department.

SPIRAL®SYSTEM ROUND VENTILATION DUCTS AND FITTINGS

Saddles

Short Saddle R RASAS



Product Code Model

R RASAS 1000 80 0,5 mm Z140

Explanation:

- R RASAS** Type
- 1000** Diameter d1 [mm]
- 80** Diameter d2 [mm]
- 0,5 mm** Thickness δ [mm]
- Z140** Class

SKU	TYPE	Diameter d1 [mm]	Diameter d2 [mm]	H [mm]	A [mm]	Thickness δ [mm]		
114325	R RASAS 1000 80 0,5 mm Z140	1000	80	50	50	0,50		
114326	R RASAS 1000 100 0,5 mm Z140	1000	100	50	50	0,50		
95199	R RASAS 1000 125 0,5 mm Z140	1000	125	50	50	0,50		
95200	R RASAS 1000 160 0,5 mm Z140	1000	160	50	50	0,50		
95201	R RASAS 1000 200 0,5 mm Z140	1000	200	50	50	0,50		
95202	R RASAS 1000 250 0,5 mm Z140	1000	250	50	50	0,50		
95203	R RASAS 1000 300 0,6 mm Z140	1000	300	50	50	0,60		
95204	R RASAS 1000 315 0,6 mm Z140	1000	315	50	50	0,60		
95205	R RASAS 1000 355 0,6 mm Z140	1000	355	50	50	0,60		
95206	R RASAS 1000 400 0,6 mm Z140	1000	400	50	50	0,60		
95207	R RASAS 1000 450 0,6 mm Z140	1000	450	50	50	0,60		
95208	R RASAS 1000 500 0,7 mm Z140	1000	500	50	50	0,70		
95209	R RASAS 1000 560 0,7 mm Z140	1000	560	50	50	0,70		
95210	R RASAS 1000 600 0,7 mm Z140	1000	600	50	50	0,70		
95211	R RASAS 1000 630 0,7 mm Z140	1000	630	50	50	0,70		
95212	R RASAS 1000 710 0,7 mm Z140	1000	710	50	50	0,70		
95213	R RASAS 1000 800 0,8 mm Z140	1000	800	50	50	0,80		
95214	R RASAS 1000 900 0,8 mm Z140	1000	900	50	50	0,80		
95215	R RASAS 1000 1000 0,8 mm Z140	1000	1000	50	50	0,80		
95216	R RASAS 1120 125 0,5 mm Z140	1120	125	50	50	0,50		
95217	R RASAS 1120 160 0,5 mm Z140	1120	160	50	50	0,50		
95218	R RASAS 1120 200 0,5 mm Z140	1120	200	50	50	0,50		
95219	R RASAS 1120 250 0,5 mm Z140	1120	250	50	50	0,50		
95220	R RASAS 1120 300 0,6 mm Z140	1120	300	50	50	0,60		
95221	R RASAS 1120 315 0,6 mm Z140	1120	315	50	50	0,60		
95222	R RASAS 1120 355 0,6 mm Z140	1120	355	50	50	0,60		
95223	R RASAS 1120 400 0,6 mm Z140	1120	400	50	50	0,60		
95224	R RASAS 1120 450 0,6 mm Z140	1120	450	50	50	0,60		
95225	R RASAS 1120 500 0,7 mm Z140	1120	500	50	50	0,70		
95226	R RASAS 1120 560 0,7 mm Z140	1120	560	50	50	0,70		
95227	R RASAS 1120 600 0,7 mm Z140	1120	600	50	50	0,70		
95228	R RASAS 1120 630 0,7 mm Z140	1120	630	50	50	0,70		
95229	R RASAS 1120 710 0,7 mm Z140	1120	710	50	50	0,70		
95230	R RASAS 1120 800 0,8 mm Z140	1120	800	50	50	0,80		
95231	R RASAS 1120 900 0,8 mm Z140	1120	900	50	50	0,80		
95232	R RASAS 1120 1000 0,8 mm Z140	1120	1000	50	50	0,80		

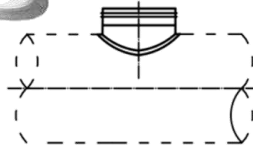
Note

For the other sizes, please contact the commercial department.

SPIRAL®SYSTEM ROUND VENTILATION DUCTS AND FITTINGS

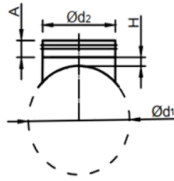
Saddles

Short Saddle R RASAS



Product Code Model

R RASAS 1120 1120 1 mm Z140



Explanation:

R RASAS Type

1120 Diameter d1 [mm]

1120 Diameter d2 [mm]

1 mm Thickness δ [mm]

Z140 Class

SKU	TYPE	Diameter d1 [mm]	Diameter d2 [mm]	H [mm]	A [mm]	Thickness δ [mm]		
95233	R RASAS 1120 1120 1 mm Z140	1120	1120	50	50	1,00		
95234	R RASAS 1250 125 0,5 mm Z140	1250	125	50	50	0,50		
95235	R RASAS 1250 160 0,5 mm Z140	1250	160	50	50	0,50		
95236	R RASAS 1250 200 0,5 mm Z140	1250	200	50	50	0,50		
95237	R RASAS 1250 250 0,5 mm Z140	1250	250	50	50	0,50		
95238	R RASAS 1250 300 0,6 mm Z140	1250	300	50	50	0,60		
95239	R RASAS 1250 315 0,6 mm Z140	1250	315	50	50	0,60		
95240	R RASAS 1250 355 0,6 mm Z140	1250	355	50	50	0,60		
95241	R RASAS 1250 400 0,6 mm Z140	1250	400	50	50	0,60		
95242	R RASAS 1250 450 0,6 mm Z140	1250	450	50	50	0,60		
95243	R RASAS 1250 500 0,7 mm Z140	1250	500	50	50	0,70		
95244	R RASAS 1250 560 0,7 mm Z140	1250	560	50	50	0,70		
95245	R RASAS 1250 600 0,7 mm Z140	1250	600	50	50	0,70		
95246	R RASAS 1250 630 0,7 mm Z140	1250	630	50	50	0,70		
95247	R RASAS 1250 710 0,7 mm Z140	1250	710	50	50	0,70		
95248	R RASAS 1250 800 0,8 mm Z140	1250	800	50	50	0,80		
95249	R RASAS 1250 900 0,8 mm Z140	1250	900	50	50	0,80		
95250	R RASAS 1250 1000 0,8 mm Z140	1250	1000	50	50	0,80		
95251	R RASAS 1250 1120 1 mm Z140	1250	1120	50	50	1,00		
95252	R RASAS 1250 1250 1 mm Z140	1250	1250	50	50	1,00		
95253	R RASAS 1600 125 0,5 mm Z140	1600	125	50	50	0,50		
95254	R RASAS 1600 160 0,5 mm Z140	1600	160	50	50	0,50		
95255	R RASAS 1600 200 0,5 mm Z140	1600	200	50	50	0,50		
95256	R RASAS 1600 250 0,5 mm Z140	1600	250	50	50	0,50		
95257	R RASAS 1600 300 0,6 mm Z140	1600	300	50	50	0,60		
95258	R RASAS 1600 315 0,6 mm Z140	1600	315	50	50	0,60		
95259	R RASAS 1600 355 0,6 mm Z140	1600	355	50	50	0,60		
95260	R RASAS 1600 400 0,6 mm Z140	1600	400	50	50	0,60		
95261	R RASAS 1600 450 0,6 mm Z140	1600	450	50	50	0,60		
95262	R RASAS 1600 500 0,7 mm Z140	1600	500	50	50	0,70		
95263	R RASAS 1600 560 0,7 mm Z140	1600	560	50	50	0,70		
95264	R RASAS 1600 600 0,7 mm Z140	1600	600	50	50	0,70		
95265	R RASAS 1600 630 0,7 mm Z140	1600	630	50	50	0,70		
95266	R RASAS 1600 710 0,7 mm Z140	1600	710	50	50	0,70		
95267	R RASAS 1600 800 0,8 mm Z140	1600	800	50	50	0,80		
95268	R RASAS 1600 900 0,8 mm Z140	1600	900	50	50	0,80		

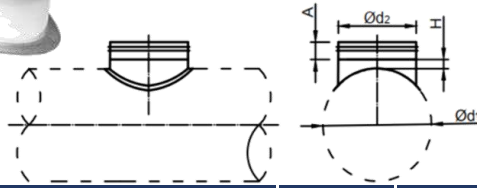
Note

For the other sizes, please contact the commercial department.

SPIRAL®SYSTEM ROUND VENTILATION DUCTS AND FITTINGS

Saddles

Short Saddle R RASAS



Product Code Model

R RASAS 1600 1000 0,8 mm Z140

Explanation:

- R RASAS** Type
- 1600** Diameter d1 [mm]
- 1000** Diameter d2 [mm]
- 0,8 mm** Thickness δ [mm]
- Z140** Class

SKU	TYPE	Diameter d1 [mm]	Diameter d2 [mm]	H [mm]	A [mm]	Thickness δ [mm]		
95269	R RASAS 1600 1000 0,8 mm Z140	1600	1000	50,0	50	0,80		
95270	R RASAS 1600 1120 1 mm Z140	1600	1120	50,0	50	1,00		
95271	R RASAS 1600 1250 1 mm Z140	1600	1250	50,0	50	1,00		

Note

For the other sizes, please contact the commercial department.

SPIRAL®SYSTEM ROUND VENTILATION DUCTS AND FITTINGS

Saddles

Segmented collar saddle R RASAC



Description:

Segmented collar saddles allow the production of round branch ducts.

Used Material:

Galvanized steel DX51, Class Z140.

Note:

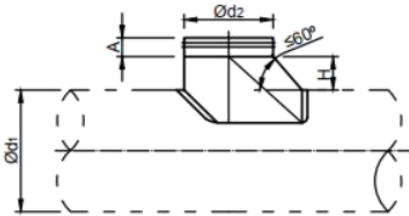
The thickness of the galvanized sheet varies depending on the diameter.

Product Code Model

R RASAC 100 80 0,5 mm Z140

Explanation:

- R RASAC** Type
- 100** Diameter d1 [mm]
- 80** Diameter d2 [mm]
- 0,5 mm** Thickness δ [mm]
- Z140** Class



SKU	TYPE	Diameter d1 [mm]	Diameter d2 [mm]	H [mm]	A [mm]	Thickness δ [mm]		
114327	R RASAC 100 80 0,5 mm Z140	100	80	65	50	0,50		
114328	R RASAC 100 100 0,5 mm Z140	100	100	65	50	0,50		
114329	R RASAC 125 80 0,5 mm Z140	125	80	65	50	0,50		
114330	R RASAC 125 100 0,5 mm Z140	125	100	65	50	0,50		
95476	R RASAC 125 125 0,5 mm Z140	125	125	65	50	0,50		
114331	R RASAC 160 80 0,5 mm Z140	160	80	65	50	0,50		
114332	R RASAC 160 100 0,5 mm Z140	160	100	65	50	0,50		
95477	R RASAC 160 125 0,5 mm Z140	160	125	65	50	0,50		
95478	R RASAC 160 160 0,5 mm Z140	160	160	70	50	0,50		
114333	R RASAC 200 80 0,5 mm Z140	200	80	65	50	0,50		
114334	R RASAC 200 100 0,5 mm Z140	200	100	65	50	0,50		
95479	R RASAC 200 125 0,5 mm Z140	200	125	65	50	0,50		
95480	R RASAC 200 160 0,5 mm Z140	200	160	70	50	0,50		
95481	R RASAC 200 200 0,5 mm Z140	200	200	80	50	0,50		
114335	R RASAC 250 80 0,5 mm Z140	250	80	65	50	0,50		
114336	R RASAC 250 100 0,5 mm Z140	250	100	65	50	0,50		
95482	R RASAC 250 125 0,5 mm Z140	250	125	65	50	0,50		
95483	R RASAC 250 160 0,5 mm Z140	250	160	70	50	0,50		
95484	R RASAC 250 200 0,5 mm Z140	250	200	80	50	0,50		
95485	R RASAC 250 250 0,5 mm Z140	250	250	80	50	0,50		
114337	R RASAC 300 80 0,5 mm Z140	300	80	65	50	0,50		
114338	R RASAC 300 100 0,5 mm Z140	300	100	65	50	0,50		
95486	R RASAC 300 125 0,5 mm Z140	300	125	65	50	0,50		
95487	R RASAC 300 160 0,5 mm Z140	300	160	70	50	0,50		
95488	R RASAC 300 200 0,5 mm Z140	300	200	80	50	0,50		
95489	R RASAC 300 250 0,5 mm Z140	300	250	80	50	0,50		

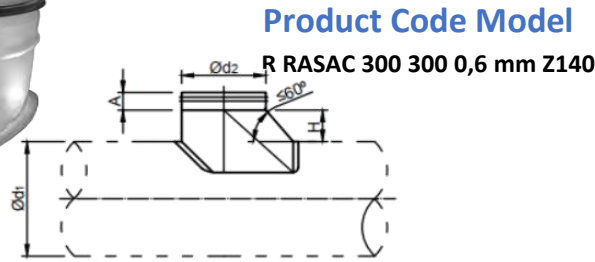
Note

For the other sizes, please contact the commercial department.

SPIRAL®SYSTEM ROUND VENTILATION DUCTS AND FITTINGS

Saddles

Segmented collar saddle R RASAC



Explanation:

- R RASAC** Type
- 300** Diameter d1 [mm]
- 300** Diameter d2 [mm]
- 0,6 mm** Thickness δ [mm]
- Z140** Class

SKU	TYPE	Diameter d1 [mm]	Diameter d2 [mm]	H [mm]	A [mm]	Thickness δ [mm]		
95490	R RASAC 300 300 0,6 mm Z140	300	300	80	50	0,60		
114339	R RASAC 315 80 0,5 mm Z140	315	80	65	50	0,50		
114340	R RASAC 315 100 0,5 mm Z140	315	100	65	50	0,50		
95491	R RASAC 315 125 0,5 mm Z140	315	125	65	50	0,50		
95492	R RASAC 315 160 0,5 mm Z140	315	160	70	50	0,50		
95493	R RASAC 315 200 0,5 mm Z140	315	200	80	50	0,50		
95494	R RASAC 315 250 0,5 mm Z140	315	250	80	50	0,50		
95495	R RASAC 315 300 0,6 mm Z140	315	300	80	50	0,60		
95496	R RASAC 315 315 0,6 mm Z140	315	315	90	50	0,60		
114341	R RASAC 355 80 0,5 mm Z140	355	80	65	50	0,50		
114342	R RASAC 355 100 0,5 mm Z140	355	100	65	50	0,50		
95497	R RASAC 355 125 0,5 mm Z140	355	125	65	50	0,50		
95498	R RASAC 355 160 0,5 mm Z140	355	160	70	50	0,50		
95499	R RASAC 355 200 0,5 mm Z140	355	200	80	50	0,50		
95500	R RASAC 355 250 0,5 mm Z140	355	250	80	50	0,50		
95501	R RASAC 355 300 0,6 mm Z140	355	300	80	50	0,60		
95502	R RASAC 355 315 0,6 mm Z140	355	315	90	50	0,60		
95503	R RASAC 355 355 0,6 mm Z140	355	355	90	50	0,60		
114343	R RASAC 400 80 0,5 mm Z140	400	80	65	50	0,50		
114344	R RASAC 400 100 0,5 mm Z140	400	100	65	50	0,50		
95504	R RASAC 400 125 0,5 mm Z140	400	125	65	50	0,50		
95505	R RASAC 400 160 0,5 mm Z140	400	160	70	50	0,50		
95506	R RASAC 400 200 0,5 mm Z140	400	200	80	50	0,50		
95507	R RASAC 400 250 0,5 mm Z140	400	250	80	50	0,50		
95508	R RASAC 400 300 0,6 mm Z140	400	300	80	50	0,60		
95509	R RASAC 400 315 0,6 mm Z140	400	315	90	50	0,60		
95510	R RASAC 400 355 0,6 mm Z140	400	355	90	50	0,60		
95511	R RASAC 400 400 0,6 mm Z140	400	400	90	50	0,60		
114345	R RASAC 450 80 0,5 mm Z140	450	80	65	50	0,50		
114346	R RASAC 450 100 0,5 mm Z140	450	100	65	50	0,50		
95512	R RASAC 450 125 0,5 mm Z140	450	125	65	50	0,50		
95513	R RASAC 450 160 0,5 mm Z140	450	160	70	50	0,50		
95514	R RASAC 450 200 0,5 mm Z140	450	200	80	50	0,50		
95515	R RASAC 450 250 0,5 mm Z140	450	250	80	50	0,50		
95516	R RASAC 450 300 0,6 mm Z140	450	300	80	50	0,60		
95517	R RASAC 450 315 0,6 mm Z140	450	315	90	50	0,60		

Note

For the other sizes, please contact the commercial department.

SPIRAL®SYSTEM ROUND VENTILATION DUCTS AND FITTINGS

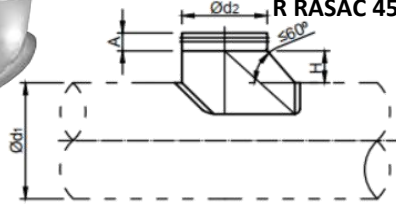
Saddles

Segmented collar saddle R RASAC



Product Code Model

R RASAC 450 355 0,6 mm Z140



Explanation:

- R RASAC** Type
- 450** Diameter d1 [mm]
- 355** Diameter d2 [mm]
- 0,6 mm** Thickness δ [mm]
- Z140** Class

SKU	TYPE	Diameter d1 [mm]	Diameter d2 [mm]	H [mm]	A [mm]	Thickness δ [mm]		
95518	R RASAC 450 355 0,6 mm Z140	450	355	90	50	0,60		
95519	R RASAC 450 400 0,6 mm Z140	450	400	90	50	0,60		
95520	R RASAC 450 450 0,6 mm Z140	450	450	100	50	0,60		
114347	R RASAC 500 80 0,5 mm Z140	500	80	65	50	0,50		
114348	R RASAC 500 100 0,5 mm Z140	500	100	65	50	0,50		
95521	R RASAC 500 125 0,5 mm Z140	500	125	65	50	0,50		
95522	R RASAC 500 160 0,5 mm Z140	500	160	70	50	0,50		
95523	R RASAC 500 200 0,5 mm Z140	500	200	80	50	0,50		
95524	R RASAC 500 250 0,5 mm Z140	500	250	80	50	0,50		
95525	R RASAC 500 300 0,6 mm Z140	500	300	80	50	0,60		
95526	R RASAC 500 315 0,6 mm Z140	500	315	90	50	0,60		
95527	R RASAC 500 355 0,6 mm Z140	500	355	90	50	0,60		
95528	R RASAC 500 400 0,6 mm Z140	500	400	100	50	0,60		
95529	R RASAC 500 450 0,6 mm Z140	500	450	100	50	0,60		
95530	R RASAC 500 500 0,7 mm Z140	500	500	100	50	0,70		
114349	R RASAC 560 80 0,5 mm Z140	560	80	65	50	0,50		
114350	R RASAC 560 100 0,5 mm Z140	560	100	65	50	0,50		
95531	R RASAC 560 125 0,5 mm Z140	560	125	65	50	0,50		
95532	R RASAC 560 160 0,5 mm Z140	560	160	70	50	0,50		
95533	R RASAC 560 200 0,5 mm Z140	560	200	80	50	0,50		
95534	R RASAC 560 250 0,5 mm Z140	560	250	80	50	0,50		
95535	R RASAC 560 300 0,6 mm Z140	560	300	80	50	0,60		
95536	R RASAC 560 315 0,6 mm Z140	560	315	90	50	0,60		
95537	R RASAC 560 355 0,6 mm Z140	560	355	90	50	0,60		
95538	R RASAC 560 400 0,6 mm Z140	560	400	100	50	0,60		
95539	R RASAC 560 450 0,6 mm Z140	560	450	100	50	0,60		
95540	R RASAC 560 500 0,7 mm Z140	560	500	100	50	0,70		
95541	R RASAC 560 560 0,7 mm Z140	560	560	100	50	0,70		
114351	R RASAC 600 80 0,5 mm Z140	600	80	65	50	0,50		
114352	R RASAC 600 100 0,5 mm Z140	600	100	65	50	0,50		
95542	R RASAC 600 125 0,5 mm Z140	600	125	65	50	0,50		
95543	R RASAC 600 160 0,5 mm Z140	600	160	70	50	0,50		
95544	R RASAC 600 200 0,5 mm Z140	600	200	80	50	0,50		
95545	R RASAC 600 250 0,5 mm Z140	600	250	80	50	0,50		
95546	R RASAC 600 300 0,6 mm Z140	600	300	80	50	0,60		
95547	R RASAC 600 315 0,6 mm Z140	600	315	90	50	0,60		

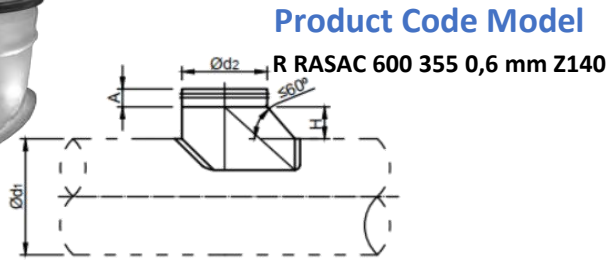
Note

For the other sizes, please contact the commercial department.

SPIRAL®SYSTEM ROUND VENTILATION DUCTS AND FITTINGS

Saddles

Segmented collar saddle R RASAC



Explanation:

- R RASAC** Type
- 600** Diameter d1 [mm]
- 355** Diameter d2 [mm]
- 0,6 mm** Thickness δ [mm]
- Z140** Class

SKU	TYPE	Diameter d1 [mm]	Diameter d2 [mm]	H [mm]	A [mm]	Thickness δ [mm]		
95548	R RASAC 600 355 0,6 mm Z140	600	355	90	50	0,60		
95549	R RASAC 600 400 0,6 mm Z140	600	400	100	50	0,60		
95550	R RASAC 600 450 0,6 mm Z140	600	450	100	50	0,60		
95551	R RASAC 600 500 0,7 mm Z140	600	500	100	50	0,70		
95552	R RASAC 600 560 0,7 mm Z140	600	560	100	50	0,70		
95553	R RASAC 600 600 0,7 mm Z140	600	600	100	50	0,70		
114353	R RASAC 630 80 0,5 mm Z140	630	80	65	50	0,50		
114354	R RASAC 630 100 0,5 mm Z140	630	100	65	50	0,50		
95554	R RASAC 630 125 0,5 mm Z140	630	125	65	50	0,50		
95555	R RASAC 630 160 0,5 mm Z140	630	160	70	50	0,50		
95556	R RASAC 630 200 0,5 mm Z140	630	200	80	50	0,50		
95557	R RASAC 630 250 0,5 mm Z140	630	250	80	50	0,50		
95558	R RASAC 630 300 0,6 mm Z140	630	300	80	50	0,60		
95559	R RASAC 630 315 0,6 mm Z140	630	315	90	50	0,60		
95560	R RASAC 630 355 0,6 mm Z140	630	355	90	50	0,60		
95561	R RASAC 630 400 0,6 mm Z140	630	400	100	50	0,60		
95562	R RASAC 630 450 0,6 mm Z140	630	450	100	50	0,60		
95563	R RASAC 630 500 0,7 mm Z140	630	500	100	50	0,70		
95564	R RASAC 630 560 0,7 mm Z140	630	560	100	50	0,70		
95565	R RASAC 630 600 0,7 mm Z140	630	600	100	50	0,70		
95566	R RASAC 630 630 0,7 mm Z140	630	630	100	50	0,70		
114355	R RASAC 710 80 0,5 mm Z140	710	80	65	50	0,50		
114356	R RASAC 710 100 0,5 mm Z140	710	100	65	50	0,50		
95567	R RASAC 710 125 0,5 mm Z140	710	125	65	50	0,50		
95568	R RASAC 710 160 0,5 mm Z140	710	160	70	50	0,50		
95569	R RASAC 710 200 0,5 mm Z140	710	200	80	50	0,50		
95570	R RASAC 710 250 0,5 mm Z140	710	250	80	50	0,50		
95571	R RASAC 710 300 0,6 mm Z140	710	300	80	50	0,60		
95572	R RASAC 710 315 0,6 mm Z140	710	315	90	50	0,60		
95573	R RASAC 710 355 0,6 mm Z140	710	355	90	50	0,60		
95574	R RASAC 710 400 0,6 mm Z140	710	400	100	50	0,60		
95575	R RASAC 710 450 0,6 mm Z140	710	450	100	50	0,60		
95576	R RASAC 710 500 0,7 mm Z140	710	500	100	50	0,70		
95577	R RASAC 710 560 0,7 mm Z140	710	560	100	50	0,70		
95578	R RASAC 710 600 0,7 mm Z140	710	600	100	50	0,70		
95579	R RASAC 710 630 0,7 mm Z140	710	630	100	50	0,70		

Note

For the other sizes, please contact the commercial department.

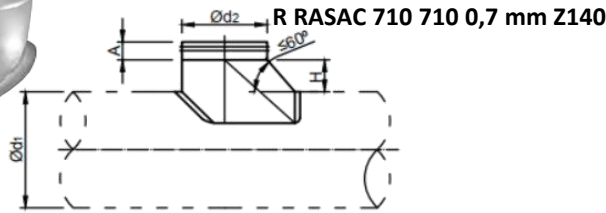
SPIRAL®SYSTEM ROUND VENTILATION DUCTS AND FITTINGS

Saddles

Segmented collar saddle R RASAC



Product Code Model



Explanation:

- R RASAC** Type
- 710** Diameter d1 [mm]
- 710** Diameter d2 [mm]
- 0,7 mm** Thickness δ [mm]
- Z140** Class

SKU	TYPE	Diameter d1 [mm]	Diameter d2 [mm]	H [mm]	A [mm]	Thickness δ [mm]		
95580	R RASAC 710 710 0,7 mm Z140	710	710	100	50	0,70		
114357	R RASAC 800 80 0,5 mm Z140	800	80	65	50	0,50		
114358	R RASAC 800 100 0,5 mm Z140	800	100	65	50	0,50		
95581	R RASAC 800 125 0,5 mm Z140	800	125	65	50	0,50		
95582	R RASAC 800 160 0,5 mm Z140	800	160	70	50	0,50		
95583	R RASAC 800 200 0,5 mm Z140	800	200	80	50	0,50		
95584	R RASAC 800 250 0,5 mm Z140	800	250	80	50	0,50		
95585	R RASAC 800 300 0,6 mm Z140	800	300	80	50	0,60		
95586	R RASAC 800 315 0,6 mm Z140	800	315	90	50	0,60		
95587	R RASAC 800 355 0,6 mm Z140	800	355	90	50	0,60		
95588	R RASAC 800 400 0,6 mm Z140	800	400	100	50	0,60		
95589	R RASAC 800 450 0,6 mm Z140	800	450	100	50	0,60		
95590	R RASAC 800 500 0,7 mm Z140	800	500	100	50	0,70		
95591	R RASAC 800 560 0,7 mm Z140	800	560	100	50	0,70		
95592	R RASAC 800 600 0,7 mm Z140	800	600	100	50	0,70		
95593	R RASAC 800 630 0,7 mm Z140	800	630	100	50	0,70		
95594	R RASAC 800 710 0,7 mm Z140	800	710	100	50	0,70		
95595	R RASAC 800 800 0,8 mm Z140	800	800	100	50	0,80		
114359	R RASAC 900 80 0,5 mm Z140	900	80	65	50	0,50		
114360	R RASAC 900 100 0,5 mm Z140	900	100	65	50	0,50		
95596	R RASAC 900 125 0,5 mm Z140	900	125	65	50	0,50		
95597	R RASAC 900 160 0,5 mm Z140	900	160	70	50	0,50		
95598	R RASAC 900 200 0,5 mm Z140	900	200	80	50	0,50		
95599	R RASAC 900 250 0,5 mm Z140	900	250	80	50	0,50		
95600	R RASAC 900 300 0,6 mm Z140	900	300	80	50	0,60		
95601	R RASAC 900 315 0,6 mm Z140	900	315	90	50	0,60		
95602	R RASAC 900 355 0,6 mm Z140	900	355	90	50	0,60		
95603	R RASAC 900 400 0,6 mm Z140	900	400	100	50	0,60		
95604	R RASAC 900 450 0,6 mm Z140	900	450	100	50	0,60		
95605	R RASAC 900 500 0,7 mm Z140	900	500	100	50	0,70		
95606	R RASAC 900 560 0,7 mm Z140	900	560	100	50	0,70		
95607	R RASAC 900 600 0,7 mm Z140	900	600	100	50	0,70		
95608	R RASAC 900 630 0,7 mm Z140	900	630	100	50	0,70		
95609	R RASAC 900 710 0,7 mm Z140	900	710	100	50	0,70		
95610	R RASAC 900 800 0,8 mm Z140	900	800	100	50	0,80		
95611	R RASAC 900 900 0,8 mm Z140	900	900	100	50	0,80		

Note

For the other sizes, please contact the commercial department.

SPIRAL®SYSTEM ROUND VENTILATION DUCTS AND FITTINGS

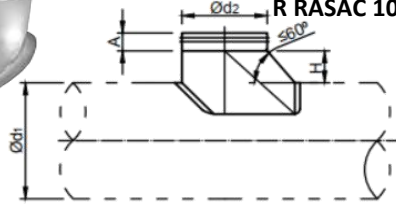
Saddles

Segmented collar saddle R RASAC



Product Code Model

R RASAC 1000 80 0,5 mm Z140



Explanation:

- R RASAC** Type
- 1000** Diameter d1 [mm]
- 80** Diameter d2 [mm]
- 0,5 mm** Thickness δ [mm]
- Z140** Class

SKU	TYPE	Diameter d1 [mm]	Diameter d2 [mm]	H [mm]	A [mm]	Thickness δ [mm]		
114361	R RASAC 1000 80 0,5 mm Z140	1000	80	65	50	0,50		
114362	R RASAC 1000 100 0,5 mm Z140	1000	100	65	50	0,50		
95612	R RASAC 1000 125 0,5 mm Z140	1000	125	65	50	0,50		
95613	R RASAC 1000 160 0,5 mm Z140	1000	160	70	50	0,50		
95614	R RASAC 1000 200 0,5 mm Z140	1000	200	80	50	0,50		
95615	R RASAC 1000 250 0,5 mm Z140	1000	250	80	50	0,50		
95616	R RASAC 1000 300 0,6 mm Z140	1000	300	80	50	0,60		
95617	R RASAC 1000 315 0,6 mm Z140	1000	315	90	50	0,60		
95618	R RASAC 1000 355 0,6 mm Z140	1000	355	90	50	0,60		
95619	R RASAC 1000 400 0,6 mm Z140	1000	400	100	50	0,60		
95620	R RASAC 1000 450 0,6 mm Z140	1000	450	100	50	0,60		
95621	R RASAC 1000 500 0,7 mm Z140	1000	500	100	50	0,70		
95622	R RASAC 1000 560 0,7 mm Z140	1000	560	100	50	0,70		
95623	R RASAC 1000 600 0,7 mm Z140	1000	600	100	50	0,70		
95624	R RASAC 1000 630 0,7 mm Z140	1000	630	100	50	0,70		
95625	R RASAC 1000 710 0,7 mm Z140	1000	710	100	50	0,70		
95626	R RASAC 1000 800 0,8 mm Z140	1000	800	100	50	0,80		
95627	R RASAC 1000 900 0,8 mm Z140	1000	900	100	50	0,80		
95628	R RASAC 1000 1000 0,8 mm Z140	1000	1000	100	50	0,80		
95629	R RASAC 1120 125 0,5 mm Z140	1120	125	65	50	0,50		
95630	R RASAC 1120 160 0,5 mm Z140	1120	160	70	50	0,50		
95631	R RASAC 1120 200 0,5 mm Z140	1120	200	80	50	0,50		
95632	R RASAC 1120 250 0,5 mm Z140	1120	250	80	50	0,50		
95633	R RASAC 1120 300 0,6 mm Z140	1120	300	80	50	0,60		
95634	R RASAC 1120 315 0,6 mm Z140	1120	315	90	50	0,60		
95635	R RASAC 1120 355 0,6 mm Z140	1120	355	90	50	0,60		
95636	R RASAC 1120 400 0,6 mm Z140	1120	400	100	50	0,60		
95637	R RASAC 1120 450 0,6 mm Z140	1120	450	100	50	0,60		
95638	R RASAC 1120 500 0,7 mm Z140	1120	500	100	50	0,70		
95639	R RASAC 1120 560 0,7 mm Z140	1120	560	100	50	0,70		
95640	R RASAC 1120 600 0,7 mm Z140	1120	600	100	50	0,70		
95641	R RASAC 1120 630 0,7 mm Z140	1120	630	100	50	0,70		
95642	R RASAC 1120 710 0,7 mm Z140	1120	710	100	50	0,70		
95643	R RASAC 1120 800 0,8 mm Z140	1120	800	100	50	0,80		
95644	R RASAC 1120 900 0,8 mm Z140	1120	900	100	50	0,80		
95645	R RASAC 1120 1000 0,8 mm Z140	1120	1000	100	50	0,80		

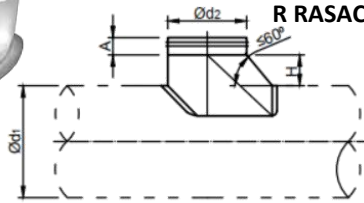
Note

For the other sizes, please contact the commercial department.

SPIRAL®SYSTEM ROUND VENTILATION DUCTS AND FITTINGS

Saddles

Segmented collar saddle R RASAC



Product Code Model

R RASAC 1120 1120 1 mm Z140

Explanation:

- R RASAC** Type
- 1120** Diameter d1 [mm]
- 1120** Diameter d2 [mm]
- 1 mm** Thickness δ [mm]
- Z140** Class

SKU	TYPE	Diameter d1 [mm]	Diameter d2 [mm]	H [mm]	A [mm]	Thickness δ [mm]		
95646	R RASAC 1120 1120 1 mm Z140	1120	1120	100	50	1,00		
95647	R RASAC 1250 125 0,5 mm Z140	1250	125	65	50	0,50		
95648	R RASAC 1250 160 0,5 mm Z140	1250	160	70	50	0,50		
95649	R RASAC 1250 200 0,5 mm Z140	1250	200	80	50	0,50		
95650	R RASAC 1250 250 0,5 mm Z140	1250	250	80	50	0,50		
95651	R RASAC 1250 300 0,6 mm Z140	1250	300	80	50	0,60		
95652	R RASAC 1250 315 0,6 mm Z140	1250	315	90	50	0,60		
95653	R RASAC 1250 355 0,6 mm Z140	1250	355	90	50	0,60		
95654	R RASAC 1250 400 0,6 mm Z140	1250	400	100	50	0,60		
95655	R RASAC 1250 450 0,6 mm Z140	1250	450	100	50	0,60		
95656	R RASAC 1250 500 0,7 mm Z140	1250	500	100	50	0,70		
95657	R RASAC 1250 560 0,7 mm Z140	1250	560	100	50	0,70		
95658	R RASAC 1250 600 0,7 mm Z140	1250	600	100	50	0,70		
95659	R RASAC 1250 630 0,7 mm Z140	1250	630	100	50	0,70		
95660	R RASAC 1250 710 0,7 mm Z140	1250	710	100	50	0,70		
95661	R RASAC 1250 800 0,8 mm Z140	1250	800	100	50	0,80		
95662	R RASAC 1250 900 0,8 mm Z140	1250	900	100	50	0,80		
95663	R RASAC 1250 1000 0,8 mm Z140	1250	1000	100	50	0,80		
95664	R RASAC 1250 1120 1 mm Z140	1250	1120	100	50	1,00		
95665	R RASAC 1250 1250 1 mm Z140	1250	1250	100	50	1,00		
95666	R RASAC 1600 125 1 mm Z140	1600	125	65	50	1,00		
95667	R RASAC 1600 160 0,5 mm Z140	1600	160	70	50	0,50		
95668	R RASAC 1600 200 0,5 mm Z140	1600	200	80	50	0,50		
95669	R RASAC 1600 250 0,5 mm Z140	1600	250	80	50	0,50		
95670	R RASAC 1600 300 0,6 mm Z140	1600	300	80	50	0,60		
95671	R RASAC 1600 315 0,6 mm Z140	1600	315	90	50	0,60		
95672	R RASAC 1600 355 0,6 mm Z140	1600	355	90	50	0,60		
95673	R RASAC 1600 400 0,6 mm Z140	1600	400	100	50	0,60		
95674	R RASAC 1600 450 0,6 mm Z140	1600	450	100	50	0,60		
95675	R RASAC 1600 500 0,7 mm Z140	1600	500	100	50	0,70		
95676	R RASAC 1600 560 0,7 mm Z140	1600	560	100	50	0,70		
95677	R RASAC 1600 600 0,7 mm Z140	1600	600	100	50	0,70		
95678	R RASAC 1600 630 0,7 mm Z140	1600	630	100	50	0,70		
95679	R RASAC 1600 710 0,7 mm Z140	1600	710	100	50	0,70		
95680	R RASAC 1600 800 0,8 mm Z140	1600	800	100	50	0,80		
95681	R RASAC 1600 900 0,8 mm Z140	1600	900	100	50	0,80		

Note

For the other sizes, please contact the commercial department.

SPIRAL®SYSTEM ROUND VENTILATION DUCTS AND FITTINGS

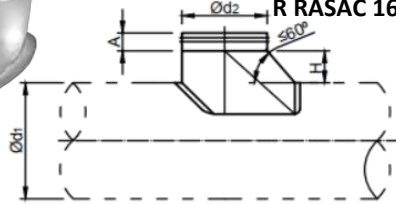
Saddles

Segmented collar saddle R RASAC



Product Code Model

R RASAC 1600 1000 0,8 mm Z140



Explanation:

- R RASAC** Type
- 1600** Diameter d1 [mm]
- 1000** Diameter d2 [mm]
- 0,8 mm** Thickness δ [mm]
- Z140** Class

SKU	TYPE	Diameter d1 [mm]	Diameter d2 [mm]	H [mm]	A [mm]	Thickness δ [mm]		
95682	R RASAC 1600 1000 0,8 mm Z140	1600	1000	100	50	0,80		
95683	R RASAC 1600 1120 1 mm Z140	1600	1120	100	50	1,00		
95684	R RASAC 1600 1250 1 mm Z140	1600	1250	100	50	1,00		

Note

For the other sizes, please contact the commercial department.

SPIRAL®SYSTEM ROUND VENTILATION DUCTS AND FITTINGS

Saddles

Long Collar saddle R RASACR



Description:

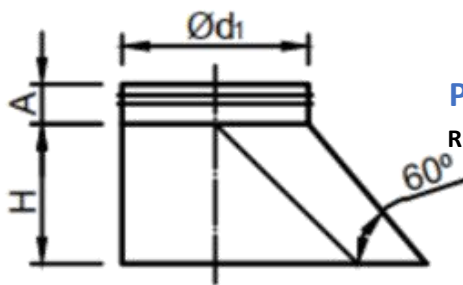
Segmented collar saddles allow fabricating from square ventilation ducts. The installation requires cutting and opening in the duct being branched and fastening the piece with rivets or screws.

Used Material:

Galvanized steel DX51, Class Z140.

Note:

The thickness of the galvanized sheet varies depending on the diameter.



Product Code Model

R RASACR 125 0,5 mm Z140

Explanation:

R RASACR Type

125 Diameter d1 [mm]

0,5 mm Thickness δ [mm]

Z140 Class

SKU	TYPE	Diameter d1 [mm]	H [mm]	A [mm]	Thickness δ [mm]			
114363	R RASACR 80 0,5 mm Z140	80	80	50	0,50			
114364	R RASACR 100 0,5 mm Z140	100	80	50	0,50			
95889	R RASACR 125 0,5 mm Z140	125	80	50	0,50			
95890	R RASACR 160 0,5 mm Z140	160	80	50	0,50			
95891	R RASACR 200 0,5 mm Z140	200	100	50	0,50			
95892	R RASACR 250 0,5 mm Z140	250	100	50	0,50			
95893	R RASACR 300 0,6 mm Z140	300	125	50	0,60			
95894	R RASACR 315 0,6 mm Z140	315	125	50	0,60			
95895	R RASACR 355 0,6 mm Z140	355	125	50	0,60			
95896	R RASACR 400 0,6 mm Z140	400	140	50	0,60			
95897	R RASACR 450 0,6 mm Z140	450	140	50	0,60			
95898	R RASACR 500 0,7 mm Z140	500	140	50	0,70			
95899	R RASACR 560 0,7 mm Z140	560	140	50	0,70			
95900	R RASACR 600 0,7 mm Z140	600	170	50	0,70			
95901	R RASACR 630 0,7 mm Z140	630	170	50	0,70			
95902	R RASACR 710 0,7 mm Z140	710	170	50	0,70			
95903	R RASACR 800 0,8 mm Z140	800	170	50	0,80			
95904	R RASACR 900 0,8 mm Z140	900	170	50	0,80			
95905	R RASACR 1000 0,8 mm Z140	1000	170	50	0,80			
95906	R RASACR 1120 1 mm Z140	1120	170	50	1,00			
95907	R RASACR 1250 1 mm Z140	1250	170	50	1,00			

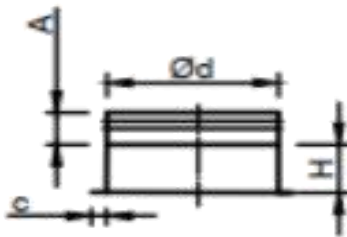
Note

For the other sizes, please contact the commercial department.

SPIRAL®SYSTEM ROUND VENTILATION DUCTS AND FITTINGS

Saddles

Take-off R RASAR



Description:

Installation requires cutting and opening the duct branch and fixing it with rivets or screws. The joint must be sealed with an acrylic or silicone compound.

Used Material:

Galvanized steel DX51, Class Z140.

Note:

The thickness of the galvanized sheet varies depending on the diameter.

Product Code Model

R RASAR 125 0,5 mm Z140

Explanation:

R RASAR Type
125 Diameter d1 [mm]
0,5 mm Thickness δ [mm]
Z140 Class

SKU	TYPE	Diameter d1 [mm]	H [mm]	A [mm]	c [mm]	Thickness δ [mm]		
114365	R RASAR 80 0,5 mm Z140	80	50	50	20	0,50		
114366	R RASAR 100 0,5 mm Z140	100	50	50	20	0,50		
95925	R RASAR 125 0,5 mm Z140	125	50	50	20	0,50		
95926	R RASAR 160 0,5 mm Z140	160	50	50	20	0,50		
95927	R RASAR 200 0,5 mm Z140	200	50	50	20	0,50		
95928	R RASAR 250 0,5 mm Z140	250	50	50	20	0,50		
95929	R RASAR 300 0,6 mm Z140	300	50	50	20	0,60		
95930	R RASAR 315 0,6 mm Z140	315	50	50	20	0,60		
95931	R RASAR 355 0,6 mm Z140	355	50	50	20	0,60		
95932	R RASAR 400 0,6 mm Z140	400	50	50	20	0,60		
95933	R RASAR 450 0,6 mm Z140	450	50	50	20	0,60		
95934	R RASAR 500 0,7 mm Z140	500	50	50	20	0,70		
95935	R RASAR 560 0,7 mm Z140	560	50	50	20	0,70		
95936	R RASAR 600 0,7 mm Z140	600	50	50	20	0,70		
95937	R RASAR 630 0,7 mm Z140	630	50	50	20	0,70		
95938	R RASAR 710 0,7 mm Z140	710	50	50	20	0,70		
95939	R RASAR 800 0,8 mm Z140	800	50	50	20	0,80		
95940	R RASAR 900 0,8 mm Z140	900	50	50	20	0,80		
95941	R RASAR 1000 0,8 mm Z140	1000	50	50	20	0,80		
95942	R RASAR 1120 1 mm Z140	1120	50	50	20	1,00		
95943	R RASAR 1250 1 mm Z140	1250	50	50	20	1,00		

Note

For the other sizes, please contact the commercial department.

SPIRAL®SYSTEM ROUND VENTILATION DUCTS AND FITTINGS

Saddles

Collar saddle 45° R RASA45



Description:

Collar saddles are provided with a T-piece end leaning at 45° to the main ventilation duct.

Used Material:

Galvanized steel DX51, Class Z140.

Note:

The thickness of the galvanized sheet varies depending on the diameter.

Product Code Model

R RASA45 80 80 0,5 mm Z140

Explanation:

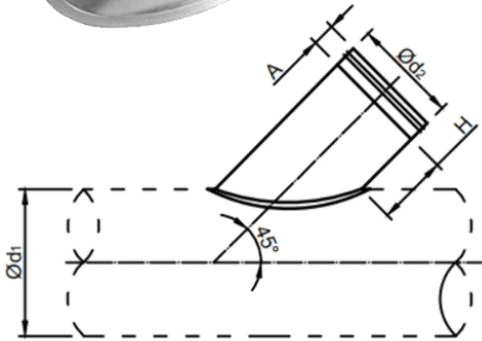
R RASA45 Type

80 Diameter d1 [mm]

80 Diameter d2 [mm]

0,5 mm Thickness δ [mm]

Z140 Class



SKU	TYPE	Diameter d1 [mm]	Diameter d2 [mm]	H [mm]	A [mm]	Thickness δ [mm]		
114367	R RASA45 80 80 0,5 mm Z140	80	80	50	50	0,50		
114368	R RASA45 100 80 0,5 mm Z140	100	80	50	50	0,50		
114369	R RASA45 100 100 0,5 mm Z140	100	100	50	50	0,50		
114370	R RASA45 125 80 0,5 mm Z140	125	80	50	50	0,50		
114371	R RASA45 125 100 0,5 mm Z140	125	100	50	50	0,50		
95961	R RASA45 125 125 0,5 mm Z140	125	125	69	50	0,50		
114372	R RASA45 160 80 0,5 mm Z140	160	80	50	50	0,50		
114373	R RASA45 160 100 0,5 mm Z140	160	100	50	50	0,50		
95962	R RASA45 160 125 0,5 mm Z140	160	125	69	50	0,50		
95963	R RASA45 160 160 0,5 mm Z140	160	160	82	50	0,50		
114374	R RASA45 200 80 0,5 mm Z140	200	80	50	50	0,50		
114375	R RASA45 200 100 0,5 mm Z140	200	100	50	50	0,50		
95964	R RASA45 200 125 0,5 mm Z140	200	125	66	50	0,50		
95965	R RASA45 200 160 0,5 mm Z140	200	160	84	50	0,50		
95966	R RASA45 200 200 0,5 mm Z140	200	200	84	50	0,50		
114376	R RASA45 250 80 0,5 mm Z140	250	80	50	50	0,50		
114377	R RASA45 250 100 0,5 mm Z140	250	100	50	50	0,50		
95967	R RASA45 250 125 0,5 mm Z140	250	125	71	50	0,50		
95968	R RASA45 250 160 0,5 mm Z140	250	160	83	50	0,50		
95969	R RASA45 250 200 0,5 mm Z140	250	200	83	50	0,50		
95970	R RASA45 250 250 0,5 mm Z140	250	250	83	50	0,50		
114378	R RASA45 300 80 0,5 mm Z140	300	80	50	50	0,50		
114379	R RASA45 300 100 0,5 mm Z140	300	100	50	50	0,50		
95971	R RASA45 300 125 0,5 mm Z140	300	125	75	50	0,50		
95972	R RASA45 300 160 0,5 mm Z140	300	160	83	50	0,50		
95973	R RASA45 300 200 0,5 mm Z140	300	200	83	50	0,50		

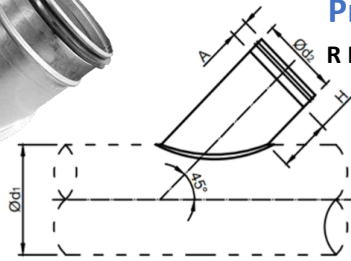
Note

For the other sizes, please contact the commercial department.

SPIRAL®SYSTEM ROUND VENTILATION DUCTS AND FITTINGS

Saddles

Collar saddle 45° R RASA45



Product Code Model

R RASA45 300 250 0,5 mm Z140

Explanation:

R RASA45 Type

300 Diameter d1 [mm]

250 Diameter d2 [mm]

0,5 mm Thickness δ [mm]

Z140 Class

SKU	TYPE	Diameter d1 [mm]	Diameter d2 [mm]	H [mm]	A [mm]	Thickness δ [mm]		
95974	R RASA45 300 250 0,5 mm Z140	300	250	83	50	0,50		
95975	R RASA45 300 300 0,6 mm Z140	300	300	98	50	0,60		
114380	R RASA45 315 80 0,5 mm Z140	315	80	50	50	0,50		
114381	R RASA45 315 100 0,5 mm Z140	315	100	50	50	0,50		
95976	R RASA45 315 125 0,5 mm Z140	315	125	75	50	0,50		
95977	R RASA45 315 160 0,5 mm Z140	315	160	82	50	0,50		
95978	R RASA45 315 200 0,5 mm Z140	315	200	82	50	0,50		
95979	R RASA45 315 250 0,5 mm Z140	315	250	82	50	0,50		
95980	R RASA45 315 300 0,6 mm Z140	315	300	97	50	0,60		
95981	R RASA45 315 315 0,6 mm Z140	315	315	100	50	0,60		
114382	R RASA45 355 80 0,5 mm Z140	355	80	50	50	0,50		
114383	R RASA45 355 100 0,5 mm Z140	355	100	50	50	0,50		
95982	R RASA45 355 125 0,5 mm Z140	355	125	74	50	0,50		
95983	R RASA45 355 160 0,5 mm Z140	355	160	84	50	0,50		
95984	R RASA45 355 200 0,5 mm Z140	355	200	84	50	0,50		
95985	R RASA45 355 250 0,5 mm Z140	355	250	84	50	0,50		
95986	R RASA45 355 300 0,6 mm Z140	355	300	99	50	0,60		
95987	R RASA45 355 315 0,6 mm Z140	355	315	97	50	0,60		
95988	R RASA45 355 355 0,6 mm Z140	355	355	96	50	0,60		
114384	R RASA45 400 80 0,5 mm Z140	400	80	50	50	0,50		
114385	R RASA45 400 100 0,5 mm Z140	400	100	50	50	0,50		
95989	R RASA45 400 125 0,5 mm Z140	400	125	75	50	0,50		
95990	R RASA45 400 160 0,5 mm Z140	400	160	82	50	0,50		
95991	R RASA45 400 200 0,5 mm Z140	400	200	82	50	0,50		
95992	R RASA45 400 250 0,5 mm Z140	400	250	82	50	0,50		
95993	R RASA45 400 300 0,6 mm Z140	400	300	97	50	0,60		
95994	R RASA45 400 315 0,6 mm Z140	400	315	95	50	0,60		
95995	R RASA45 400 355 0,6 mm Z140	400	355	95	50	0,60		
95996	R RASA45 400 400 0,6 mm Z140	400	400	97	50	0,60		
114386	R RASA45 450 80 0,5 mm Z140	450	80	50	50	0,50		
114387	R RASA45 450 100 0,5 mm Z140	450	100	50	50	0,50		
95997	R RASA45 450 125 0,5 mm Z140	450	125	75	50	0,50		
95998	R RASA45 450 160 0,5 mm Z140	450	160	82	50	0,50		
95999	R RASA45 450 200 0,5 mm Z140	450	200	82	50	0,50		
96000	R RASA45 450 250 0,5 mm Z140	450	250	82	50	0,50		
96001	R RASA45 450 300 0,6 mm Z140	450	300	97	50	0,60		

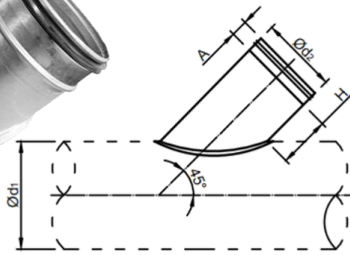
Note

For the other sizes, please contact the commercial department.

SPIRAL®SYSTEM ROUND VENTILATION DUCTS AND FITTINGS

Saddles

Collar saddle 45° R RASA45



Product Code Model

R RASA45 450 315 0,6 mm Z140

Explanation:

R RASA45 Type

450 Diameter d1 [mm]

315 Diameter d2 [mm]

0,6 mm Thickness δ [mm]

Z140 Class

SKU	TYPE	Diameter d1 [mm]	Diameter d2 [mm]	H [mm]	A [mm]	Thickness δ [mm]		
96002	R RASA45 450 315 0,6 mm Z140	450	315	94	50	0,60		
96003	R RASA45 450 355 0,6 mm Z140	450	355	94	50	0,60		
96004	R RASA45 450 400 0,6 mm Z140	450	400	97	50	0,60		
96005	R RASA45 450 450 0,6 mm Z140	450	450	97	50	0,60		
114388	R RASA45 500 80 0,5 mm Z140	500	80	50	50	0,50		
114389	R RASA45 500 100 0,5 mm Z140	500	100	50	50	0,50		
96006	R RASA45 500 125 0,5 mm Z140	500	125	75	50	0,50		
96007	R RASA45 500 160 0,5 mm Z140	500	160	84	50	0,50		
96008	R RASA45 500 200 0,5 mm Z140	500	200	81	50	0,50		
96009	R RASA45 500 250 0,5 mm Z140	500	250	81	50	0,50		
96010	R RASA45 500 300 0,6 mm Z140	500	300	96	50	0,60		
96011	R RASA45 500 315 0,6 mm Z140	500	315	99	50	0,60		
96012	R RASA45 500 355 0,6 mm Z140	500	355	99	50	0,60		
96013	R RASA45 500 400 0,6 mm Z140	500	400	96	50	0,60		
96014	R RASA45 500 450 0,6 mm Z140	500	450	96	50	0,60		
96015	R RASA45 500 500 0,7 mm Z140	500	500	96	50	0,70		
96016	R RASA45 560 160 0,5 mm Z140	560	160	84	50	0,50		
96017	R RASA45 560 200 0,5 mm Z140	560	200	84	50	0,50		
96018	R RASA45 560 250 0,5 mm Z140	560	250	84	50	0,50		
96019	R RASA45 560 300 0,6 mm Z140	560	300	94	50	0,60		
96020	R RASA45 560 315 0,6 mm Z140	560	315	97	50	0,60		
96021	R RASA45 560 355 0,6 mm Z140	560	355	97	50	0,60		
96022	R RASA45 560 400 0,6 mm Z140	560	400	94	50	0,60		
96023	R RASA45 560 450 0,6 mm Z140	560	450	94	50	0,60		
96024	R RASA45 560 500 0,7 mm Z140	560	500	94	50	0,70		
96025	R RASA45 560 560 0,7 mm Z140	560	560	124	50	0,70		
96026	R RASA45 600 250 0,5 mm Z140	600	250	81	50	0,50		
96027	R RASA45 600 300 0,6 mm Z140	600	300	91	50	0,60		
96028	R RASA45 600 315 0,6 mm Z140	600	315	93	50	0,60		
96029	R RASA45 600 355 0,6 mm Z140	600	355	93	50	0,60		
96030	R RASA45 600 400 0,6 mm Z140	600	400	91	50	0,60		
96031	R RASA45 600 450 0,6 mm Z140	600	450	91	50	0,60		
96032	R RASA45 600 500 0,7 mm Z140	600	500	91	50	0,70		
96033	R RASA45 600 560 0,7 mm Z140	600	560	121	50	0,70		
96034	R RASA45 600 600 0,7 mm Z140	600	600	126	50	0,70		
96035	R RASA45 630 315 0,6 mm Z140	630	315	97	50	0,60		

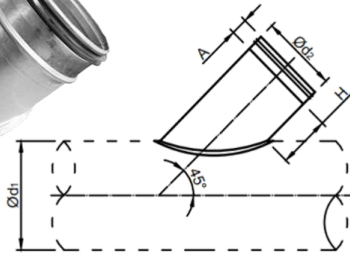
Note

For the other sizes, please contact the commercial department.

SPIRAL®SYSTEM ROUND VENTILATION DUCTS AND FITTINGS

Saddles

Collar saddle 45° R RASA45



Product Code Model

R RASA45 630 355 0,6 mm Z140

Explanation:

R RASA45 Type

630 Diameter d1 [mm]

355 Diameter d2 [mm]

0,6 mm Thickness δ [mm]

Z140 Class

SKU	TYPE	Diameter d1 [mm]	Diameter d2 [mm]	H [mm]	A [mm]	Thickness δ [mm]
96036	R RASA45 630 355 0,6 mm Z140	630	355	97	50	0,60
96037	R RASA45 630 400 0,6 mm Z140	630	400	95	50	0,60
96038	R RASA45 630 450 0,6 mm Z140	630	450	95	50	0,60
96039	R RASA45 630 500 0,7 mm Z140	630	500	95	50	0,70
96040	R RASA45 630 560 0,7 mm Z140	630	560	125	50	0,70
96041	R RASA45 630 600 0,7 mm Z140	630	600	125	50	0,70
96042	R RASA45 630 630 0,7 mm Z140	630	630	125	50	0,70
96043	R RASA45 710 315 0,6 mm Z140	710	315	95	50	0,60
96044	R RASA45 710 355 0,6 mm Z140	710	355	95	50	0,60
96045	R RASA45 710 400 0,6 mm Z140	710	400	98	50	0,60
96046	R RASA45 710 450 0,6 mm Z140	710	450	98	50	0,60
96047	R RASA45 710 500 0,7 mm Z140	710	500	98	50	0,70
96048	R RASA45 710 560 0,7 mm Z140	710	560	123	50	0,70
96049	R RASA45 710 600 0,7 mm Z140	710	600	123	50	0,70
96050	R RASA45 710 630 0,7 mm Z140	710	630	123	50	0,70
96051	R RASA45 710 710 0,7 mm Z140	710	710	123	50	0,70
96052	R RASA45 800 315 0,6 mm Z140	800	315	97	50	0,60
96053	R RASA45 800 355 0,6 mm Z140	800	355	97	50	0,60
96054	R RASA45 800 400 0,6 mm Z140	800	400	94	50	0,60
96055	R RASA45 800 450 0,6 mm Z140	800	450	94	50	0,60
96056	R RASA45 800 500 0,7 mm Z140	800	500	94	50	0,70
96057	R RASA45 800 560 0,7 mm Z140	800	560	124	50	0,70
96058	R RASA45 800 600 0,7 mm Z140	800	600	124	50	0,70
96059	R RASA45 800 630 0,7 mm Z140	800	630	124	50	0,70
96060	R RASA45 800 710 0,7 mm Z140	800	710	124	50	0,70
96061	R RASA45 800 800 0,8 mm Z140	800	800	124	50	0,80
96062	R RASA45 900 355 0,6 mm Z140	900	355	96	50	0,60
96063	R RASA45 900 400 0,6 mm Z140	900	400	99	50	0,60
96064	R RASA45 900 450 0,6 mm Z140	900	450	99	50	0,60
96065	R RASA45 900 500 0,7 mm Z140	900	500	94	50	0,70
96066	R RASA45 900 560 0,7 mm Z140	900	560	124	50	0,70
96067	R RASA45 900 600 0,7 mm Z140	900	600	124	50	0,70
96068	R RASA45 900 630 0,7 mm Z140	900	630	124	50	0,70
96069	R RASA45 900 710 0,7 mm Z140	900	710	124	50	0,70
96070	R RASA45 900 800 0,8 mm Z140	900	800	124	50	0,80
96071	R RASA45 900 900 0,8 mm Z140	900	900	124	50	0,80

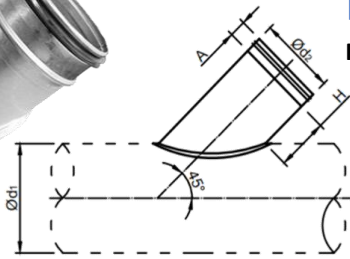
Note

For the other sizes, please contact the commercial department.

SPIRAL®SYSTEM ROUND VENTILATION DUCTS AND FITTINGS

Saddles

Collar saddle 45° R RASA45



Product Code Model

R RASA45 1000 400 0,6 mm Z140

Explanation:

R RASA45 Type

1000 Diameter d1 [mm]

400 Diameter d2 [mm]

0,6 mm Thickness δ [mm]

Z140 Class

SKU	TYPE	Diameter d1 [mm]	Diameter d2 [mm]	H [mm]	A [mm]	Thickness δ [mm]	
96072	R RASA45 1000 400 0,6 mm Z140	1000	400	98	50	0,60	
96073	R RASA45 1000 450 0,6 mm Z140	1000	450	98	50	0,60	
96074	R RASA45 1000 500 0,7 mm Z140	1000	500	98	50	0,70	
96075	R RASA45 1000 560 0,7 mm Z140	1000	560	123	50	0,70	
96076	R RASA45 1000 600 0,7 mm Z140	1000	600	123	50	0,70	
96077	R RASA45 1000 630 0,7 mm Z140	1000	630	123	50	0,70	
96078	R RASA45 1000 710 0,7 mm Z140	1000	710	123	50	0,70	
96079	R RASA45 1000 800 0,8 mm Z140	1000	800	123	50	0,80	
96080	R RASA45 1000 900 0,8 mm Z140	1000	900	123	50	0,80	
96081	R RASA45 1000 1000 0,8 mm Z140	1000	1000	123	50	0,80	
96082	R RASA45 1120 500 0,7 mm Z140	1120	500	98	50	0,70	
96083	R RASA45 1120 560 0,7 mm Z140	1120	560	123	50	0,70	
96084	R RASA45 1120 600 0,7 mm Z140	1120	600	123	50	0,70	
96085	R RASA45 1120 630 0,7 mm Z140	1120	630	123	50	0,70	
96086	R RASA45 1120 710 0,7 mm Z140	1120	710	123	50	0,70	
96087	R RASA45 1120 800 0,8 mm Z140	1120	800	123	50	0,80	
96088	R RASA45 1120 900 0,8 mm Z140	1120	900	123	50	0,80	
96089	R RASA45 1120 1000 0,8 mm Z140	1120	1000	123	50	0,80	
96090	R RASA45 1120 1120 1 mm Z140	1120	1120	153	50	1,00	
96091	R RASA45 1250 500 0,7 mm Z140	1250	500	96	50	0,70	
96092	R RASA45 1250 560 0,7 mm Z140	1250	560	126	50	0,70	
96093	R RASA45 1250 600 0,7 mm Z140	1250	600	126	50	0,70	
96094	R RASA45 1250 630 0,7 mm Z140	1250	630	126	50	0,70	
96095	R RASA45 1250 710 0,7 mm Z140	1250	710	126	50	0,70	
96096	R RASA45 1250 800 0,8 mm Z140	1250	800	126	50	0,80	
96097	R RASA45 1250 900 0,8 mm Z140	1250	900	126	50	0,80	
96098	R RASA45 1250 1000 0,8 mm Z140	1250	1000	126	50	0,80	
96099	R RASA45 1250 1120 1 mm Z140	1250	1120	151	50	1,00	
96100	R RASA45 1250 1250 1 mm Z140	1250	1250	151	50	1,00	
96101	R RASA45 1600 560 0,7 mm Z140	1600	560	151	50	0,70	
96102	R RASA45 1600 600 0,7 mm Z140	1600	600	151	50	0,70	
96103	R RASA45 1600 630 0,7 mm Z140	1600	630	151	50	0,70	
96104	R RASA45 1600 710 0,7 mm Z140	1600	710	151	50	0,70	
96105	R RASA45 1600 800 0,8 mm Z140	1600	800	151	50	0,80	
96106	R RASA45 1600 900 0,8 mm Z140	1600	900	151	50	0,80	
96107	R RASA45 1600 1000 0,8 mm Z140	1600	1000	151	50	0,80	

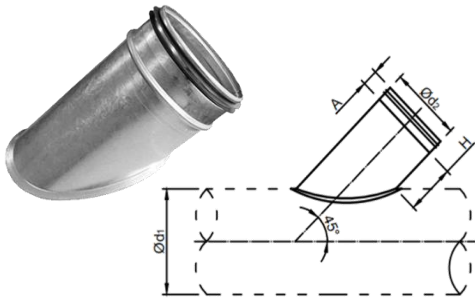
Note

For the other sizes, please contact the commercial department.

SPIRAL®SYSTEM ROUND VENTILATION DUCTS AND FITTINGS

Saddles

Collar saddle 45° R RASA45



Product Code Model

R RASA45 1600 1120 1 mm Z140

Explanation:

R RASA45 Type

1600 Diameter d1 [mm]

1120 Diameter d2 [mm]

1 mm Thickness δ [mm]

Z140 Class

SKU	TYPE	Diameter d2 [mm]	H [mm]	A [mm]	A [mm]	Thickness δ [mm]
96108	R RASA45 1600 1120 1 mm Z140	1600	1120	151	50	1,00
96109	R RASA45 1600 1250 1 mm Z140	1600	1250	151	50	1,00

Note

For the other sizes, please contact the commercial department.

SPIRAL®SYSTEM ROUND VENTILATION DUCTS AND FITTINGS

Saddles

Full-size collar saddle R RASAE



Description:

Full-size segmented collar saddles allow fabricating round duct branches at the ductwork points that can only be defined when the main ventilation ducts have been installed.

Used Material:

Galvanized steel DX51, Class Z140.

Note:

The thickness of the galvanized sheet varies depending on the diameter.

Product Code Model

R RASAE 125 160 0,5 mm Z140

Explanation:

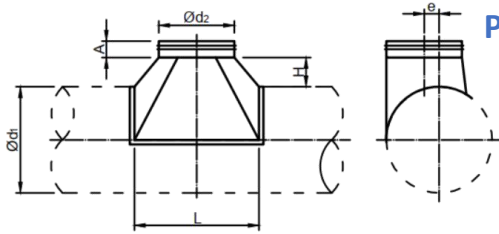
R RASAE Type

125 Diameter d1 [mm]

160 Diameter d2 [mm]

0,5 mm Thickness δ [mm]

Z140 Class



A = 50 [mm]

SKU	TYPE	Diameter d1 [mm]	Diameter d2 [mm]	L [mm]	H [mm]	e [mm]	Thickness δ [mm]
96254	R RASAE 125 160 0,5 mm Z140	125	160	260	80	17,5	0,50
96255	R RASAE 125 200 0,5 mm Z140	125	200	300	80	37,5	0,50
96256	R RASAE 160 125 0,5 mm Z140	160	125	190	50	17,5	0,50
96257	R RASAE 160 200 0,5 mm Z140	160	200	280	65	20	0,50
96258	R RASAE 160 250 0,5 mm Z140	160	250	330	65	45	0,50
96259	R RASAE 200 125 0,5 mm Z140	200	125	185	50	37,5	0,50
96260	R RASAE 200 160 0,5 mm Z140	200	160	220	50	20	0,50
96261	R RASAE 200 250 0,5 mm Z140	200	250	330	65	25	0,50
96262	R RASAE 200 300 0,6 mm Z140	200	300	390	75	50	0,60
96263	R RASAE 200 315 0,6 mm Z140	200	315	410	75	57,5	0,60
96264	R RASAE 250 125 0,5 mm Z140	250	125	185	50	62,5	0,50
96265	R RASAE 250 160 0,5 mm Z140	250	160	220	50	45	0,50
96266	R RASAE 250 200 0,5 mm Z140	250	200	280	65	25	0,50
96267	R RASAE 250 300 0,6 mm Z140	250	300	390	75	25	0,60
96268	R RASAE 250 315 0,6 mm Z140	250	315	410	75	32,5	0,60
96269	R RASAE 250 355 0,6 mm Z140	250	355	460	85	52,5	0,60
96270	R RASAE 250 400 0,6 mm Z140	250	400	500	85	75	0,60
96271	R RASAE 300 125 0,5 mm Z140	300	125	185	50	87,5	0,50
96272	R RASAE 300 160 0,5 mm Z140	300	160	220	50	70	0,50
96273	R RASAE 300 200 0,5 mm Z140	300	200	280	65	50	0,50
96274	R RASAE 300 250 0,5 mm Z140	300	250	330	65	25	0,50
96275	R RASAE 300 315 0,6 mm Z140	300	315	405	75	7,5	0,60
96276	R RASAE 300 355 0,6 mm Z140	300	355	455	85	27,5	0,60
96277	R RASAE 300 400 0,6 mm Z140	300	400	500	85	50	0,60
96278	R RASAE 300 450 0,6 mm Z140	300	450	550	85	75	0,60
96279	R RASAE 315 125 0,5 mm Z140	315	125	185	50	95	0,50

Note

For the other sizes, please contact the commercial department.

SPIRAL® SYSTEM ROUND VENTILATION DUCTS AND FITTINGS

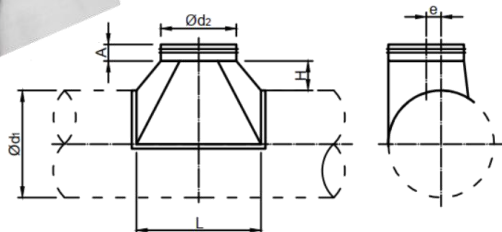
Saddles

Full-size collar saddle R RASAE



Product Code Model

R RASAE 315 160 0,5 mm Z140



Explanation:

- R RASAE** Type
- 315** Diameter d1 [mm]
- 160** Diameter d2 [mm]
- 0,5 mm** Thickness δ [mm]
- Z140** Class

SKU	TYPE	Diameter d1 [mm]	Diameter d2 [mm]	L [mm]	H [mm]	e [mm]	Thickness δ [mm]	
96280	R RASAE 315 160 0,5 mm Z140	315	160	220	50	77,5	0,50	
96281	R RASAE 315 200 0,5 mm Z140	315	200	265	56	57,5	0,50	
96282	R RASAE 315 250 0,5 mm Z140	315	250	330	65	32,5	0,50	
96283	R RASAE 315 300 0,6 mm Z140	315	300	390	75	7,5	0,60	
96284	R RASAE 315 355 0,6 mm Z140	315	355	455	85	20	0,60	
96285	R RASAE 315 400 0,6 mm Z140	315	400	500	85	42,5	0,60	
96286	R RASAE 315 450 0,6 mm Z140	315	450	550	85	67,5	0,60	
96287	R RASAE 315 500 0,7 mm Z140	315	500	605	90	92,5	0,70	
96288	R RASAE 355 125 0,5 mm Z140	355	125	185	50	115	0,50	
96289	R RASAE 355 160 0,5 mm Z140	355	160	220	50	97,5	0,50	
96290	R RASAE 355 200 0,5 mm Z140	355	200	280	65	77,5	0,50	
96291	R RASAE 355 250 0,5 mm Z140	355	250	330	65	52,5	0,50	
96292	R RASAE 355 300 0,6 mm Z140	355	300	390	75	27,5	0,60	
96293	R RASAE 355 315 0,6 mm Z140	355	315	405	75	20	0,60	
96294	R RASAE 355 400 0,6 mm Z140	355	400	500	85	22,5	0,60	
96295	R RASAE 355 450 0,7 mm Z140	355	450	550	85	47,5	0,70	
96296	R RASAE 355 500 0,7 mm Z140	355	500	605	90	72,5	0,70	
96297	R RASAE 355 560 0,7 mm Z140	355	560	665	90	102,5	0,70	
96298	R RASAE 400 125 0,5 mm Z140	400	125	185	50	137,5	0,50	
96299	R RASAE 400 160 0,5 mm Z140	400	160	220	50	120	0,50	
96300	R RASAE 400 200 0,5 mm Z140	400	200	280	65	100	0,50	
96301	R RASAE 400 250 0,5 mm Z140	400	250	330	65	75	0,50	
96302	R RASAE 400 300 0,6 mm Z140	400	300	390	75	50	0,60	
96303	R RASAE 400 315 0,6 mm Z140	400	315	405	75	42,5	0,60	
96304	R RASAE 400 355 0,6 mm Z140	400	355	455	85	22,5	0,60	
96305	R RASAE 400 450 0,7 mm Z140	400	450	550	85	25	0,70	
96306	R RASAE 400 500 0,7 mm Z140	400	500	605	90	50	0,70	
96307	R RASAE 400 560 0,7 mm Z140	400	560	665	90	80	0,70	
96308	R RASAE 400 600 0,7 mm Z140	400	600	705	90	100	0,70	
96309	R RASAE 400 630 0,7 mm Z140	400	630	735	90	115	0,70	
96310	R RASAE 450 160 0,5 mm Z140	450	160	220	50	145	0,50	
96311	R RASAE 450 200 0,5 mm Z140	450	200	280	65	125	0,50	
96312	R RASAE 450 250 0,5 mm Z140	450	250	330	65	100	0,50	
96313	R RASAE 450 300 0,6 mm Z140	450	300	390	75	75	0,60	
96314	R RASAE 450 315 0,6 mm Z140	450	315	405	75	67,5	0,60	
96315	R RASAE 450 355 0,6 mm Z140	450	355	455	85	47,5	0,60	

Note

For the other sizes, please contact the commercial department.

SPIRAL® SYSTEM ROUND VENTILATION DUCTS AND FITTINGS

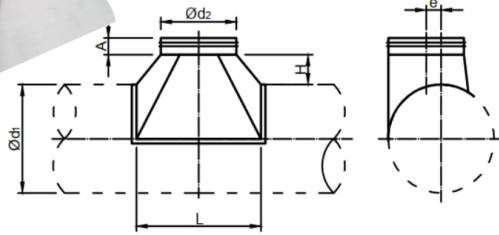
Saddles

Full-size collar saddle R RASAE



Product Code Model

R RASAE 450 400 0,6 mm Z140



Explanation:

- R RASAE** Type
- 450** Diameter d1 [mm]
- 400** Diameter d2 [mm]
- 0,6 mm** Thickness δ [mm]
- Z140** Class

SKU	TYPE	Diameter d1 [mm]	Diameter d2 [mm]	L [mm]	H [mm]	e [mm]	Thickness δ [mm]	
96316	R RASAE 450 400 0,6 mm Z140	450	400	500	85	25	0,60	
96317	R RASAE 450 500 0,7 mm Z140	450	500	605	90	25	0,70	
96318	R RASAE 450 560 0,7 mm Z140	450	560	665	90	55	0,70	
96319	R RASAE 450 600 0,7 mm Z140	450	600	705	90	75	0,70	
96320	R RASAE 450 630 0,7 mm Z140	450	630	735	90	90	0,70	
96321	R RASAE 450 710 0,7 mm Z140	450	710	815	90	130	0,70	
96322	R RASAE 500 200 0,5 mm Z140	500	200	280	65	150	0,50	
96323	R RASAE 500 250 0,5 mm Z140	500	250	330	65	125	0,50	
96324	R RASAE 500 300 0,6 mm Z140	500	300	390	75	100	0,60	
96325	R RASAE 500 315 0,6 mm Z140	500	315	405	75	92,5	0,60	
96326	R RASAE 500 355 0,6 mm Z140	500	355	455	85	72,5	0,60	
96327	R RASAE 500 400 0,6 mm Z140	500	400	500	85	50	0,60	
96328	R RASAE 500 450 0,6 mm Z140	500	450	550	85	25	0,60	
96329	R RASAE 500 560 0,7 mm Z140	500	560	665	90	30	0,70	
96330	R RASAE 500 600 0,7 mm Z140	500	600	705	90	50	0,70	
96331	R RASAE 500 630 0,7 mm Z140	500	630	735	90	65	0,70	
96332	R RASAE 500 710 0,7 mm Z140	500	710	815	90	105	0,70	
96333	R RASAE 500 800 0,8 mm Z140	500	800	905	90	150	0,80	
96334	R RASAE 560 200 0,5 mm Z140	560	200	280	65	180	0,50	
96335	R RASAE 560 250 0,5 mm Z140	560	250	330	65	155	0,50	
96336	R RASAE 560 300 0,6 mm Z140	560	300	390	75	130	0,60	
96337	R RASAE 560 315 0,6 mm Z140	560	315	405	75	122,5	0,60	
96338	R RASAE 560 355 0,6 mm Z140	560	355	455	85	102,5	0,60	
96339	R RASAE 560 400 0,6 mm Z140	560	400	500	85	80	0,60	
96340	R RASAE 560 450 0,6 mm Z140	560	450	550	85	55	0,60	
96341	R RASAE 560 500 0,7 mm Z140	560	500	605	90	30	0,70	
96342	R RASAE 560 600 0,7 mm Z140	560	600	705	90	20	0,70	
96343	R RASAE 560 630 0,7 mm Z140	560	630	735	90	35	0,70	
96344	R RASAE 560 710 0,7 mm Z140	560	710	815	90	75	0,70	
96345	R RASAE 560 800 0,8 mm Z140	560	800	905	90	120	0,80	
96346	R RASAE 560 900 0,8 mm Z140	560	900	1005	90	170	0,80	
96347	R RASAE 600 200 0,5 mm Z140	600	200	280	65	200	0,50	
96348	R RASAE 600 250 0,5 mm Z140	600	250	330	65	175	0,50	
96349	R RASAE 600 300 0,6 mm Z140	600	300	390	75	150	0,60	
96350	R RASAE 600 315 0,6 mm Z140	600	315	405	75	142,5	0,60	
96351	R RASAE 600 355 0,6 mm Z140	600	355	455	85	122,5	0,60	

Note

For the other sizes, please contact the commercial department.

SPIRAL® SYSTEM ROUND VENTILATION DUCTS AND FITTINGS

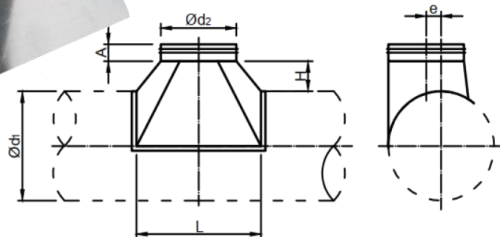
Saddles

Full-size collar saddle R RASAE



Product Code Model

R RASAE 600 400 0,6 mm Z140



Explanation:

- R RASAE** Type
- 600** Diameter d1 [mm]
- 400** Diameter d2 [mm]
- 0,6 mm** Thickness δ [mm]
- Z140** Class

SKU	TYPE	Diameter d1 [mm]	Diameter d2 [mm]	L [mm]	H [mm]	e [mm]	Thickness δ [mm]	
96352	R RASAE 600 400 0,6 mm Z140	600	400	500	85	100	0,60	
96353	R RASAE 600 450 0,6 mm Z140	600	450	550	85	75	0,60	
96354	R RASAE 600 500 0,7 mm Z140	600	500	605	90	50	0,70	
96355	R RASAE 600 560 0,7 mm Z140	600	560	665	90	20	0,70	
96356	R RASAE 600 630 0,7 mm Z140	600	630	735	90	15	0,70	
96357	R RASAE 600 710 0,7 mm Z140	600	710	815	90	55	0,70	
96358	R RASAE 600 800 0,8 mm Z140	600	800	905	90	100	0,80	
96359	R RASAE 600 900 0,8 mm Z140	600	900	1005	90	150	0,80	
96360	R RASAE 630 200 0,5 mm Z140	630	200	280	65	215	0,50	
96361	R RASAE 630 250 0,5 mm Z140	630	250	330	65	190	0,50	
96362	R RASAE 630 300 0,6 mm Z140	630	300	390	75	165	0,60	
96363	R RASAE 630 315 0,6 mm Z140	630	315	405	75	157,5	0,60	
96364	R RASAE 630 355 0,6 mm Z140	630	355	455	85	137,5	0,60	
96365	R RASAE 630 400 0,6 mm Z140	630	400	500	85	115	0,60	
96366	R RASAE 630 450 0,6 mm Z140	630	450	550	85	90	0,60	
96367	R RASAE 630 500 0,7 mm Z140	630	500	605	90	65	0,70	
96368	R RASAE 630 560 0,7 mm Z140	630	560	665	90	35	0,70	
96369	R RASAE 630 600 0,7 mm Z140	630	600	705	90	15	0,70	
96370	R RASAE 630 710 0,7 mm Z140	630	710	815	90	40	0,70	
96371	R RASAE 630 800 0,8 mm Z140	630	800	905	90	85	0,80	
96372	R RASAE 630 900 0,8 mm Z140	630	900	1005	90	135	0,80	
96373	R RASAE 630 1000 0,8 mm Z140	630	1000	1105	90	185	0,80	
96374	R RASAE 710 250 0,5 mm Z140	710	250	330	65	230	0,50	
96375	R RASAE 710 300 0,6 mm Z140	710	300	390	75	205	0,60	
96376	R RASAE 710 315 0,6 mm Z140	710	315	405	75	197,5	0,60	
96377	R RASAE 710 355 0,6 mm Z140	710	355	455	85	177,5	0,60	
96378	R RASAE 710 400 0,6 mm Z140	710	400	500	85	155	0,60	
96379	R RASAE 710 450 0,6 mm Z140	710	450	550	85	130	0,60	
96380	R RASAE 710 500 0,7 mm Z140	710	500	605	90	105	0,70	
96381	R RASAE 710 560 0,7 mm Z140	710	560	665	90	75	0,70	
96382	R RASAE 710 600 0,7 mm Z140	710	600	705	90	55	0,70	
96383	R RASAE 710 630 0,7 mm Z140	710	630	735	90	40	0,70	
96384	R RASAE 710 800 0,8 mm Z140	710	800	905	90	45	0,80	
96385	R RASAE 710 900 0,8 mm Z140	710	900	1005	90	95	0,80	
96386	R RASAE 710 1000 0,8 mm Z140	710	1000	1105	90	145	0,80	
96387	R RASAE 710 1120 1 mm Z140	710	1120	1225	90	205	1,00	

Note

For the other sizes, please contact the commercial department.

SPIRAL® SYSTEM ROUND VENTILATION DUCTS AND FITTINGS

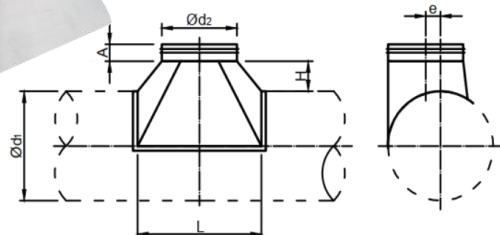
Saddles

Full-size collar saddle R RASAE



Product Code Model

R RASAE 800 250 0,5 mm Z140



Explanation:

- R RASAE** Type
- 800** Diameter d1 [mm]
- 250** Diameter d2 [mm]
- 0,5 mm** Thickness δ [mm]
- Z140** Class

SKU	TYPE	Diameter d1 [mm]	Diameter d2 [mm]	L [mm]	H [mm]	e [mm]	Thickness δ [mm]	
96388	R RASAE 800 250 0,5 mm Z140	800	250	330	65	275	0,50	
96389	R RASAE 800 300 0,6 mm Z140	800	300	390	75	250	0,60	
96390	R RASAE 800 315 0,6 mm Z140	800	315	405	75	242,5	0,60	
96391	R RASAE 800 355 0,6 mm Z140	800	355	455	85	222,5	0,60	
96392	R RASAE 800 400 0,6 mm Z140	800	400	500	85	200	0,60	
96393	R RASAE 800 450 0,6 mm Z140	800	450	550	85	175	0,60	
96394	R RASAE 800 500 0,7 mm Z140	800	500	605	90	150	0,70	
96395	R RASAE 800 560 0,7 mm Z140	800	560	665	90	120	0,70	
96396	R RASAE 800 600 0,7 mm Z140	800	600	705	90	100	0,70	
96397	R RASAE 800 630 0,7 mm Z140	800	630	735	90	85	0,70	
96398	R RASAE 800 710 0,7 mm Z140	800	710	815	90	45	0,70	
96399	R RASAE 800 900 0,8 mm Z140	800	900	1005	90	50	0,80	
96400	R RASAE 800 1000 0,8 mm Z140	800	1000	1105	90	100	0,80	
96401	R RASAE 800 1120 1 mm Z140	800	1120	1225	90	160	1,00	
96402	R RASAE 800 1250 1 mm Z140	800	1250	1355	90	225	1,00	
96403	R RASAE 900 315 0,6 mm Z140	900	315	405	75	292,5	0,60	
96404	R RASAE 900 355 0,6 mm Z140	900	355	455	85	272,5	0,60	
96405	R RASAE 900 400 0,6 mm Z140	900	400	500	85	250	0,60	
96406	R RASAE 900 450 0,6 mm Z140	900	450	550	85	225	0,60	
96407	R RASAE 900 500 0,7 mm Z140	900	500	605	90	200	0,70	
96408	R RASAE 900 560 0,7 mm Z140	900	560	665	90	170	0,70	
96409	R RASAE 900 600 0,7 mm Z140	900	600	705	90	150	0,70	
96410	R RASAE 900 630 0,7 mm Z140	900	630	735	90	135	0,70	
96411	R RASAE 900 710 0,7 mm Z140	900	710	815	90	95	0,70	
96412	R RASAE 900 800 0,8 mm Z140	900	800	905	90	50	0,80	
96413	R RASAE 900 1000 0,8 mm Z140	900	1000	1105	90	50	0,80	
96414	R RASAE 900 1120 1 mm Z140	900	1120	1225	90	110	1,00	
96415	R RASAE 900 1250 1 mm Z140	900	1250	1355	90	175	1,00	
96416	R RASAE 1000 315 0,6 mm Z140	1000	315	405	75	342,5	0,60	
96417	R RASAE 1000 355 0,6 mm Z140	1000	355	455	85	322,5	0,60	
96418	R RASAE 1000 400 0,6 mm Z140	1000	400	500	85	300	0,60	
96419	R RASAE 1000 450 0,6 mm Z140	1000	450	550	85	275	0,60	
96420	R RASAE 1000 500 0,7 mm Z140	1000	500	605	90	250	0,70	
96421	R RASAE 1000 560 0,7 mm Z140	1000	560	665	90	220	0,70	
96422	R RASAE 1000 600 0,7 mm Z140	1000	600	705	90	200	0,70	
96423	R RASAE 1000 630 0,7 mm Z140	1000	630	735	90	185	0,70	

Note

For the other sizes, please contact the commercial department.

SPIRAL® SYSTEM ROUND VENTILATION DUCTS AND FITTINGS

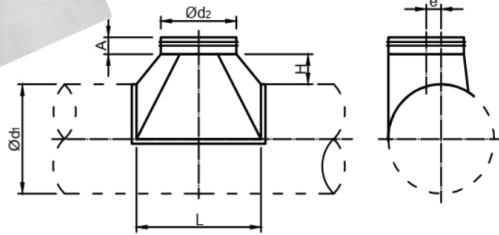
Saddles

Full-size collar saddle R RASAE



Product Code Model

R RASAE 1000 710 0,7 mm Z140



Explanation:

- R RASAE** Type
- 1000** Diameter d1 [mm]
- 710** Diameter d2 [mm]
- 0,7 mm** Thickness δ [mm]
- Z140** Class

SKU	TYPE	Diameter d1 [mm]	Diameter d2 [mm]	L [mm]	H [mm]	e [mm]	Thickness δ [mm]	
96424	R RASAE 1000 710 0,7 mm Z140	1000	710	815	90	145	0,70	
96425	R RASAE 1000 800 0,8 mm Z140	1000	800	905	90	100	0,80	
96426	R RASAE 1000 900 0,8 mm Z140	1000	900	1005	90	50	0,80	
96427	R RASAE 1000 1120 1 mm Z140	1000	1120	1225	90	60	1,00	
96428	R RASAE 1000 1250 1 mm Z140	1000	1250	1355	90	125	1,00	
96429	R RASAE 1120 500 0,7 mm Z140	1120	500	605	90	310	0,70	
96430	R RASAE 1120 560 0,7 mm Z140	1120	560	665	90	280	0,70	
96431	R RASAE 1120 600 0,7 mm Z140	1120	600	705	90	260	0,70	
96432	R RASAE 1120 630 0,7 mm Z140	1120	630	735	90	245	0,70	
96433	R RASAE 1120 710 0,7 mm Z140	1120	710	815	90	205	0,70	
96434	R RASAE 1120 800 0,8 mm Z140	1120	800	905	90	160	0,80	
96435	R RASAE 1120 900 0,8 mm Z140	1120	900	1005	90	110	0,80	
96436	R RASAE 1120 1000 0,8 mm Z140	1120	1000	1105	90	60	0,80	
96437	R RASAE 1120 1250 1 mm Z140	1120	1250	1355	90	65	1,00	
96438	R RASAE 1250 500 0,7 mm Z140	1250	500	605	90	375	0,70	
96439	R RASAE 1250 560 0,7 mm Z140	1250	560	665	90	345	0,70	
96440	R RASAE 1250 600 0,7 mm Z140	1250	600	705	90	325	0,70	
96441	R RASAE 1250 630 0,7 mm Z140	1250	630	735	90	310	0,70	
96442	R RASAE 1250 710 0,7 mm Z140	1250	710	815	90	270	0,70	
96443	R RASAE 1250 800 0,8 mm Z140	1250	800	905	90	225	0,80	
96444	R RASAE 1250 900 0,8 mm Z140	1250	900	1005	90	175	0,80	
96445	R RASAE 1250 1000 0,8 mm Z140	1250	1000	1105	90	125	0,80	
96446	R RASAE 1250 1120 1 mm Z140	1250	1120	1225	90	65	1,00	

Note

For the other sizes, please contact the commercial department.

SPIRAL®SYSTEM ROUND VENTILATION DUCTS AND FITTINGS

Segmented T-pieces

Segmented T-piece R TECTSA



Description:

Connecting sections of spiral duct together create a 90° spigot

Used Material:

Galvanized steel DX51, Class Z140.

Note:

The thickness of the galvanized sheet varies depending on the diameter.

Product Code Model

R TECTSA 80 80 0,5 mm Z140

Explanation:

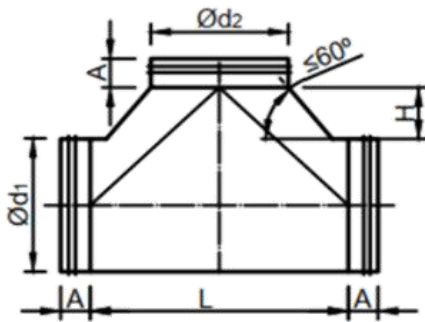
R TECTSA Type

80 Diameter d1 [mm]

80 Diameter d2 [mm]

0,5 mm Thickness δ [mm]

Z140 Class



SKU	TYPE	Diameter d1 [mm]	Diameter d2 [mm]	L [mm]	H [mm]	A [mm]	Thickness δ [mm]
114390	R TECTSA 80 80 0,5 mm Z140	80	80	161	70	50	0,50
114391	R TECTSA 100 80 0,5 mm Z140	100	80	161	70	50	0,50
114392	R TECTSA 100 100 0,5 mm Z140	100	100	181	70	50	0,50
114393	R TECTSA 125 80 0,5 mm Z140	125	80	161	70	50	0,50
114394	R TECTSA 125 100 0,5 mm Z140	125	100	181	70	50	0,50
96632	R TECTSA 125 125 0,5 mm Z140	125	125	206	70	50	0,50
96633	R TECTSA 125 160 0,5 mm Z140	125	160	241	70	50	0,50
96634	R TECTSA 125 200 0,5 mm Z140	125	200	281	70	50	0,50
114395	R TECTSA 160 80 0,5 mm Z140	160	80	161	70	50	0,50
114396	R TECTSA 160 100 0,5 mm Z140	160	100	181	70	50	0,50
96635	R TECTSA 160 125 0,5 mm Z140	160	125	206	70	50	0,50
96636	R TECTSA 160 160 0,5 mm Z140	160	160	241	70	50	0,50
96637	R TECTSA 160 200 0,5 mm Z140	160	200	281	70	50	0,50
96638	R TECTSA 160 250 0,5 mm Z140	160	250	331	70	50	0,50
114397	R TECTSA 200 80 0,5 mm Z140	200	80	161	70	50	0,50
114398	R TECTSA 200 100 0,5 mm Z140	200	100	181	70	50	0,50
96639	R TECTSA 200 125 0,5 mm Z140	200	125	206	70	50	0,50
96640	R TECTSA 200 160 0,5 mm Z140	200	160	241	70	50	0,50
96641	R TECTSA 200 200 0,5 mm Z140	200	200	281	70	50	0,50
96642	R TECTSA 200 250 0,5 mm Z140	200	250	331	70	50	0,50
96643	R TECTSA 200 300 0,5 mm Z140	200	300	387	75	50	0,50
96644	R TECTSA 200 315 0,5 mm Z140	200	315	402	75	50	0,50
114399	R TECTSA 250 80 0,5 mm Z140	250	80	161	70	50	0,50
114400	R TECTSA 250 100 0,5 mm Z140	250	100	181	70	50	0,50
96645	R TECTSA 250 125 0,5 mm Z140	250	125	206	70	50	0,50
96646	R TECTSA 250 160 0,5 mm Z140	250	160	241	70	50	0,50

Note

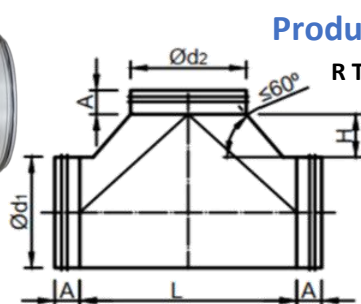
For the other sizes, please contact the commercial department.



SPIRAL® SYSTEM ROUND VENTILATION DUCTS AND FITTINGS

Segmented T-pieces

Segmented T-piece R TECTSA



Product Code Model

R TECTSA 250 250 0,5 mm Z140

Explanation:

- R TECTSA** Type
- 250** Diameter d_1 [mm]
- 250** Diameter d_2 [mm]
- 0,5 mm** Thickness δ [mm]
- Z140** Class

SKU	TYPE	Diameter d_1 [mm]	Diameter d_2 [mm]	L [mm]	H [mm]	A [mm]	Thickness δ [mm]	
96647	R TECTSA 250 200 0,5 mm Z140	250	200	281	70	50	0,50	
96648	R TECTSA 250 250 0,5 mm Z140	250	250	331	70	50	0,50	
96649	R TECTSA 250 300 0,5 mm Z140	250	300	387	75	50	0,50	
96650	R TECTSA 250 315 0,5 mm Z140	250	315	402	75	50	0,50	
96651	R TECTSA 250 355 0,5 mm Z140	250	355	454	85	50	0,50	
96652	R TECTSA 250 400 0,5 mm Z140	250	400	499	85	50	0,50	
114401	R TECTSA 300 80 0,6 mm Z140	300	80	161	70	50	0,60	
114402	R TECTSA 300 100 0,6 mm Z140	300	100	181	70	50	0,60	
96653	R TECTSA 300 125 0,6 mm Z140	300	125	206	70	50	0,60	
96654	R TECTSA 300 160 0,6 mm Z140	300	160	241	70	50	0,60	
96655	R TECTSA 300 200 0,6 mm Z140	300	200	281	70	50	0,60	
96656	R TECTSA 300 250 0,6 mm Z140	300	250	331	70	50	0,60	
96657	R TECTSA 300 300 0,6 mm Z140	300	300	387	75	50	0,60	
96658	R TECTSA 300 315 0,6 mm Z140	300	315	402	75	50	0,60	
96659	R TECTSA 300 355 0,6 mm Z140	300	355	454	85	50	0,60	
96660	R TECTSA 300 400 0,6 mm Z140	300	400	499	85	50	0,60	
96661	R TECTSA 300 450 0,6 mm Z140	300	450	549	85	50	0,60	
114403	R TECTSA 315 80 0,6 mm Z140	315	80	161	70	50	0,60	
114404	R TECTSA 315 100 0,6 mm Z140	315	100	181	70	50	0,60	
96662	R TECTSA 315 125 0,6 mm Z140	315	125	206	70	50	0,60	
96663	R TECTSA 315 160 0,6 mm Z140	315	160	241	70	50	0,60	
96664	R TECTSA 315 200 0,6 mm Z140	315	200	281	70	50	0,60	
96665	R TECTSA 315 250 0,6 mm Z140	315	250	331	70	50	0,60	
96666	R TECTSA 315 300 0,6 mm Z140	315	300	391	78	50	0,60	
96667	R TECTSA 315 315 0,6 mm Z140	315	315	406	78	50	0,60	
96668	R TECTSA 315 355 0,6 mm Z140	315	355	457	88	50	0,60	
96669	R TECTSA 315 400 0,6 mm Z140	315	400	502	88	50	0,60	
96670	R TECTSA 315 450 0,6 mm Z140	315	450	552	88	50	0,60	
96671	R TECTSA 315 500 0,6 mm Z140	315	500	608	93	50	0,60	
114405	R TECTSA 355 80 0,6 mm Z140	355	80	161	70	50	0,60	
114406	R TECTSA 355 100 0,6 mm Z140	355	100	181	70	50	0,60	
96672	R TECTSA 355 125 0,6 mm Z140	355	125	206	70	50	0,60	
96673	R TECTSA 355 160 0,6 mm Z140	355	160	241	70	50	0,60	
96674	R TECTSA 355 200 0,6 mm Z140	355	200	281	70	50	0,60	
96675	R TECTSA 355 250 0,6 mm Z140	355	250	331	70	50	0,60	
96676	R TECTSA 355 300 0,6 mm Z140	355	300	391	78	50	0,60	

Note

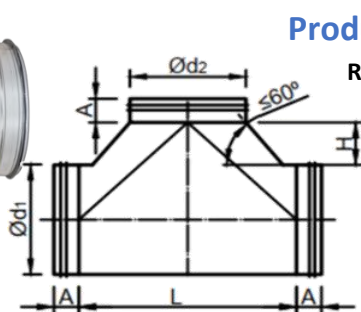
For the other sizes, please contact the commercial department.



SPIRAL® SYSTEM ROUND VENTILATION DUCTS AND FITTINGS

Segmented T-pieces

Segmented T-piece R TECTSA



Product Code Model

R TECTSA 355 315 0,6 mm Z140

Explanation:

- R TECTSA** Type
- 355** Diameter d1 [mm]
- 315** Diameter d2 [mm]
- 0,6 mm** Thickness δ [mm]
- Z140** Class

SKU	TYPE	Diameter d1 [mm]	Diameter d2 [mm]	L [mm]	H [mm]	A [mm]	Thickness δ [mm]	
96677	R TECTSA 355 315 0,6 mm Z140	355	315	406	78	50	0,60	
96678	R TECTSA 355 355 0,6 mm Z140	355	355	457	88	50	0,60	
96679	R TECTSA 355 400 0,6 mm Z140	355	400	502	88	50	0,60	
96680	R TECTSA 355 450 0,6 mm Z140	355	450	552	88	50	0,60	
96681	R TECTSA 355 500 0,6 mm Z140	355	500	608	93	50	0,60	
96682	R TECTSA 355 560 0,6 mm Z140	355	560	668	93	50	0,60	
114407	R TECTSA 400 80 0,6 mm Z140	400	80	161	70	50	0,60	
114408	R TECTSA 400 100 0,6 mm Z140	400	100	181	70	50	0,60	
96683	R TECTSA 400 125 0,6 mm Z140	400	125	206	70	50	0,60	
96684	R TECTSA 400 160 0,6 mm Z140	400	160	241	70	50	0,60	
96685	R TECTSA 400 200 0,6 mm Z140	400	200	281	70	50	0,60	
96686	R TECTSA 400 250 0,6 mm Z140	400	250	331	70	50	0,60	
96687	R TECTSA 400 300 0,6 mm Z140	400	300	387	75	50	0,60	
96688	R TECTSA 400 315 0,6 mm Z140	400	315	402	75	50	0,60	
96689	R TECTSA 400 355 0,6 mm Z140	400	355	454	85	50	0,60	
96690	R TECTSA 400 400 0,6 mm Z140	400	400	499	85	50	0,60	
96691	R TECTSA 400 450 0,6 mm Z140	400	450	549	85	50	0,60	
96692	R TECTSA 400 500 0,6 mm Z140	400	500	604	90	50	0,60	
96693	R TECTSA 400 560 0,6 mm Z140	400	560	664	90	50	0,60	
96694	R TECTSA 400 600 0,6 mm Z140	400	600	704	90	50	0,60	
96695	R TECTSA 400 630 0,6 mm Z140	400	630	734	90	50	0,60	
114409	R TECTSA 450 80 0,6 mm Z140	450	80	161	70	50	0,60	
114410	R TECTSA 450 100 0,6 mm Z140	450	100	181	70	50	0,60	
96696	R TECTSA 450 125 0,6 mm Z140	450	125	206	70	50	0,60	
96697	R TECTSA 450 160 0,6 mm Z140	450	160	241	70	50	0,60	
96698	R TECTSA 450 200 0,6 mm Z140	450	200	281	70	50	0,60	
96699	R TECTSA 450 250 0,6 mm Z140	450	250	331	70	50	0,60	
96700	R TECTSA 450 300 0,6 mm Z140	450	300	387	75	50	0,60	
96701	R TECTSA 450 315 0,6 mm Z140	450	315	402	75	50	0,60	
96702	R TECTSA 450 355 0,6 mm Z140	450	355	454	85	50	0,60	
96703	R TECTSA 450 400 0,6 mm Z140	450	400	499	85	50	0,60	
96704	R TECTSA 450 450 0,6 mm Z140	450	450	549	85	50	0,60	
96705	R TECTSA 450 500 0,6 mm Z140	450	500	604	90	50	0,60	
96706	R TECTSA 450 560 0,6 mm Z140	450	560	664	90	50	0,60	
96707	R TECTSA 450 600 0,6 mm Z140	450	600	704	90	50	0,60	
96708	R TECTSA 450 630 0,6 mm Z140	450	630	734	90	50	0,60	

Note

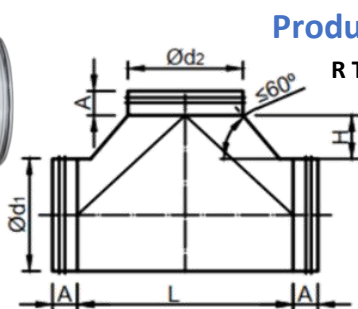
For the other sizes, please contact the commercial department.



SPIRAL® SYSTEM ROUND VENTILATION DUCTS AND FITTINGS

Segmented T-pieces

Segmented T-piece R TECTSA



Product Code Model

R TECTSA 450 710 0,6 mm Z140

Explanation:

- R TECTSA** Type
- 450** Diameter d1 [mm]
- 710** Diameter d2 [mm]
- 0,6 mm** Thickness δ [mm]
- Z140** Class

SKU	TYPE	Diameter d1 [mm]	Diameter d2 [mm]	L [mm]	H [mm]	A [mm]	Thickness δ [mm]	
96709	R TECTSA 450 710 0,6 mm Z140	450	710	814	90	50	0,60	
114411	R TECTSA 500 80 0,7 mm Z140	500	80	161	70	50	0,70	
114412	R TECTSA 500 100 0,7 mm Z140	500	100	181	70	50	0,70	
96710	R TECTSA 500 125 0,7 mm Z140	500	125	206	70	50	0,70	
96711	R TECTSA 500 160 0,7 mm Z140	500	160	241	70	50	0,70	
96712	R TECTSA 500 200 0,7 mm Z140	500	200	281	70	50	0,70	
96713	R TECTSA 500 250 0,7 mm Z140	500	250	331	70	50	0,70	
96714	R TECTSA 500 300 0,7 mm Z140	500	300	387	75	50	0,70	
96715	R TECTSA 500 315 0,7 mm Z140	500	315	402	75	50	0,70	
96716	R TECTSA 500 355 0,7 mm Z140	500	355	454	85	50	0,70	
96717	R TECTSA 500 400 0,7 mm Z140	500	400	499	85	50	0,70	
96718	R TECTSA 500 450 0,7 mm Z140	500	450	549	85	50	0,70	
96719	R TECTSA 500 500 0,7 mm Z140	500	500	604	90	50	0,70	
96720	R TECTSA 500 560 0,7 mm Z140	500	560	664	90	50	0,70	
96721	R TECTSA 500 600 0,7 mm Z140	500	600	704	90	50	0,70	
96722	R TECTSA 500 630 0,7 mm Z140	500	630	734	90	50	0,70	
96723	R TECTSA 500 710 0,7 mm Z140	500	710	814	90	50	0,70	
96724	R TECTSA 500 800 0,7 mm Z140	500	800	904	90	50	0,70	
96725	R TECTSA 560 200 0,7 mm Z140	560	200	281	70	50	0,70	
96726	R TECTSA 560 250 0,7 mm Z140	560	250	331	70	50	0,70	
96727	R TECTSA 560 300 0,7 mm Z140	560	300	387	75	50	0,70	
96728	R TECTSA 560 315 0,7 mm Z140	560	315	402	75	50	0,70	
96729	R TECTSA 560 355 0,7 mm Z140	560	355	454	85	50	0,70	
96730	R TECTSA 560 400 0,7 mm Z140	560	400	499	85	50	0,70	
96731	R TECTSA 560 450 0,7 mm Z140	560	450	549	85	50	0,70	
96732	R TECTSA 560 500 0,7 mm Z140	560	500	604	90	50	0,70	
96733	R TECTSA 560 560 0,7 mm Z140	560	560	664	90	50	0,70	
96734	R TECTSA 560 600 0,7 mm Z140	560	600	704	90	50	0,70	
96735	R TECTSA 560 630 0,7 mm Z140	560	630	734	90	50	0,70	
96736	R TECTSA 560 710 0,7 mm Z140	560	710	814	90	50	0,70	
96737	R TECTSA 560 800 0,7 mm Z140	560	800	904	90	50	0,70	
96738	R TECTSA 560 900 0,7 mm Z140	560	900	1004	90	50	0,70	
96739	R TECTSA 600 200 0,7 mm Z140	600	200	281	70	50	0,70	
96740	R TECTSA 600 250 0,7 mm Z140	600	250	331	70	50	0,70	
96741	R TECTSA 600 300 0,7 mm Z140	600	300	399	85	50	0,70	
96742	R TECTSA 600 315 0,7 mm Z140	600	315	414	85	50	0,70	

Note

For the other sizes, please contact the commercial department.

SPIRAL® SYSTEM ROUND VENTILATION DUCTS AND FITTINGS

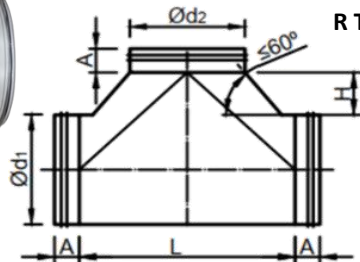
Segmented T-pieces

Segmented T-piece R TECTSA



Product Code Model

R TECTSA 600 355 0,7 mm Z140



Explicatie:

- R TECTSA** Type
- 600** Diameter d1 [mm]
- 355** Diameter d2 [mm]
- 0,7 mm** Thickness δ [mm]
- Z140** Class

SKU	TYPE	Diameter d1 [mm]	Diameter d2 [mm]	L [mm]	H [mm]	A [mm]	Thickness δ [mm]	
96743	R TECTSA 600 355 0,7 mm Z140	600	355	454	85	50	0,70	
96744	R TECTSA 600 400 0,7 mm Z140	600	400	499	85	50	0,70	
96745	R TECTSA 600 450 0,7 mm Z140	600	450	549	85	50	0,70	
96746	R TECTSA 600 500 0,7 mm Z140	600	500	604	90	50	0,70	
96747	R TECTSA 600 560 0,7 mm Z140	600	560	664	90	50	0,70	
96748	R TECTSA 600 600 0,7 mm Z140	600	600	704	90	50	0,70	
96749	R TECTSA 600 630 0,7 mm Z140	600	630	734	90	50	0,70	
96750	R TECTSA 600 710 0,7 mm Z140	600	710	814	90	50	0,70	
96751	R TECTSA 600 800 0,7 mm Z140	600	800	904	90	50	0,70	
96752	R TECTSA 600 900 0,7 mm Z140	600	900	1004	90	50	0,70	
96753	R TECTSA 630 200 0,7 mm Z140	630	200	281	70	50	0,70	
96754	R TECTSA 630 250 0,7 mm Z140	630	250	331	70	50	0,70	
96755	R TECTSA 630 300 0,7 mm Z140	630	300	387	75	50	0,70	
96756	R TECTSA 630 315 0,7 mm Z140	630	315	402	75	50	0,70	
96757	R TECTSA 630 355 0,7 mm Z140	630	355	454	85	50	0,70	
96758	R TECTSA 630 400 0,7 mm Z140	630	400	499	85	50	0,70	
96759	R TECTSA 630 450 0,7 mm Z140	630	450	549	85	50	0,70	
96760	R TECTSA 630 500 0,7 mm Z140	630	500	604	90	50	0,70	
96761	R TECTSA 630 560 0,7 mm Z140	630	560	664	90	50	0,70	
96762	R TECTSA 630 600 0,7 mm Z140	630	600	704	90	50	0,70	
96763	R TECTSA 630 630 0,7 mm Z140	630	630	734	90	50	0,70	
96764	R TECTSA 630 710 0,7 mm Z140	630	710	814	90	50	0,70	
96765	R TECTSA 630 800 0,7 mm Z140	630	800	904	90	50	0,70	
96766	R TECTSA 630 900 0,7 mm Z140	630	900	1004	90	50	0,70	
96767	R TECTSA 630 1000 0,7 mm Z140	630	1000	1104	90	50	0,70	
96768	R TECTSA 710 250 0,7 mm Z140	710	250	331	70	50	0,70	
96769	R TECTSA 710 300 0,7 mm Z140	710	300	387	75	50	0,70	
96770	R TECTSA 710 315 0,7 mm Z140	710	315	402	75	50	0,70	
96771	R TECTSA 710 355 0,7 mm Z140	710	355	454	85	50	0,70	
96772	R TECTSA 710 400 0,7 mm Z140	710	400	499	85	50	0,70	
96773	R TECTSA 710 450 0,7 mm Z140	710	450	549	85	50	0,70	
96774	R TECTSA 710 500 0,7 mm Z140	710	500	604	90	50	0,70	
96775	R TECTSA 710 560 0,7 mm Z140	710	560	664	90	50	0,70	
96776	R TECTSA 710 600 0,7 mm Z140	710	600	704	90	50	0,70	
96777	R TECTSA 710 630 0,7 mm Z140	710	630	734	90	50	0,70	
96778	R TECTSA 710 710 0,7 mm Z140	710	710	814	90	50	0,70	

Note

For the other sizes, please contact the commercial department.



SPIRAL® SYSTEM ROUND VENTILATION DUCTS AND FITTINGS

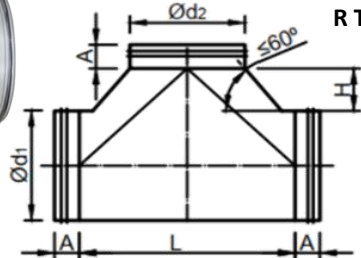
Segmented T-pieces

Segmented T-piece R TECTSA



Product Code Model

R TECTSA 710 800 0,7 mm Z140



Explanation:

- R TECTSA** Type
- 710** Diameter d1 [mm]
- 800** Diameter d2 [mm]
- 0,7 mm** Thickness δ [mm]
- Z140** Class

SKU	TYPE	Diameter d1 [mm]	Diameter d2 [mm]	L [mm]	H [mm]	A [mm]	Thickness δ [mm]	
96779	R TECTSA 710 800 0,7 mm Z140	710	800	904	90	50	0,70	
96780	R TECTSA 710 900 0,7 mm Z140	710	900	1004	90	50	0,70	
96781	R TECTSA 710 1000 0,7 mm Z140	710	1000	1104	90	50	0,70	
96782	R TECTSA 800 250 0,8 mm Z140	800	250	331	70	50	0,80	
96783	R TECTSA 800 300 0,8 mm Z140	800	300	387	75	50	0,80	
96784	R TECTSA 800 315 0,8 mm Z140	800	315	402	75	50	0,80	
96785	R TECTSA 800 355 0,8 mm Z140	800	355	454	85	50	0,80	
96786	R TECTSA 800 400 0,8 mm Z140	800	400	499	85	50	0,80	
96787	R TECTSA 800 450 0,8 mm Z140	800	450	549	85	50	0,80	
96788	R TECTSA 800 500 0,8 mm Z140	800	500	604	90	50	0,80	
96789	R TECTSA 800 560 0,8 mm Z140	800	560	664	90	50	0,80	
96790	R TECTSA 800 600 0,8 mm Z140	800	600	704	90	50	0,80	
96791	R TECTSA 800 630 0,8 mm Z140	800	630	734	90	50	0,80	
96792	R TECTSA 800 710 0,8 mm Z140	800	710	814	90	50	0,80	
96793	R TECTSA 800 800 0,8 mm Z140	800	800	904	90	50	0,80	
96794	R TECTSA 800 900 0,8 mm Z140	800	900	1004	90	50	0,80	
96795	R TECTSA 800 1000 0,8 mm Z140	800	1000	1104	90	50	0,80	
96796	R TECTSA 800 1120 0,8 mm Z140	800	1120	1224	90	50	0,80	
96797	R TECTSA 800 1250 0,8 mm Z140	800	1250	1354	90	50	0,80	
96798	R TECTSA 900 315 0,8 mm Z140	900	315	402	75	50	0,80	
96799	R TECTSA 900 355 0,8 mm Z140	900	355	454	85	50	0,80	
96800	R TECTSA 900 400 0,8 mm Z140	900	400	499	85	50	0,80	
96801	R TECTSA 900 450 0,8 mm Z140	900	450	549	85	50	0,80	
96802	R TECTSA 900 500 0,8 mm Z140	900	500	604	90	50	0,80	
96803	R TECTSA 900 560 0,8 mm Z140	900	560	664	90	50	0,80	
96804	R TECTSA 900 600 0,8 mm Z140	900	600	704	90	50	0,80	
96805	R TECTSA 900 630 0,8 mm Z140	900	630	734	90	50	0,80	
96806	R TECTSA 900 710 0,8 mm Z140	900	710	814	90	50	0,80	
96807	R TECTSA 900 800 0,8 mm Z140	900	800	904	90	50	0,80	
96808	R TECTSA 900 900 0,8 mm Z140	900	900	1004	90	50	0,80	
96809	R TECTSA 900 1000 0,8 mm Z140	900	1000	1104	90	50	0,80	
96810	R TECTSA 900 1120 0,8 mm Z140	900	1120	1224	90	50	0,80	
96811	R TECTSA 900 1250 0,8 mm Z140	900	1250	1354	90	50	0,80	
96812	R TECTSA 1000 315 0,8 mm Z140	1000	315	402	75	50	0,80	
96813	R TECTSA 1000 400 0,8 mm Z140	1000	400	499	85	50	0,80	
96814	R TECTSA 1000 450 0,8 mm Z140	1000	450	549	85	50	0,80	

Note

For the other sizes, please contact the commercial department.



SPIRAL® SYSTEM ROUND VENTILATION DUCTS AND FITTINGS

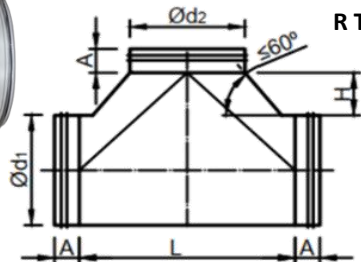
Segmented T-pieces

Segmented T-piece R TECTSA



Product Code Model

R TECTSA 1000 500 0,8 mm Z140



Explanation:

- R TECTSA** Type
- 1000** Diameter d1 [mm]
- 500** Diameter d2 [mm]
- 0,8 mm** Thickness δ [mm]
- Z140** Class

SKU	TYPE	Diameter d1 [mm]	Diameter d2 [mm]	L [mm]	H [mm]	A [mm]	Thickness δ [mm]	
96815	R TECTSA 1000 500 0,8 mm Z140	1000	500	604	90	50	0,80	
96816	R TECTSA 1000 560 0,8 mm Z140	1000	560	664	90	50	0,80	
96817	R TECTSA 1000 600 0,8 mm Z140	1000	600	704	90	50	0,80	
96818	R TECTSA 1000 630 0,8 mm Z140	1000	630	734	90	50	0,80	
96819	R TECTSA 1000 710 0,8 mm Z140	1000	710	814	90	50	0,80	
96820	R TECTSA 1000 800 0,8 mm Z140	1000	800	904	90	50	0,80	
96821	R TECTSA 1000 900 0,8 mm Z140	1000	900	1004	90	50	0,80	
96822	R TECTSA 1000 1000 0,8 mm Z14	1000	1000	1104	90	50	0,80	
96823	R TECTSA 1000 1120 0,8 mm Z14	1000	1120	1224	90	50	0,80	
96824	R TECTSA 1000 1250 0,8 mm Z14	1000	1250	1354	90	50	0,80	
96825	R TECTSA 1120 500 1 mm Z140	1120	500	604	90	50	1,00	
96826	R TECTSA 1120 560 1 mm Z140	1120	560	664	90	50	1,00	
96827	R TECTSA 1120 600 1 mm Z140	1120	600	704	90	50	1,00	
96828	R TECTSA 1120 630 1 mm Z140	1120	630	734	90	50	1,00	
96829	R TECTSA 1120 710 1 mm Z140	1120	710	814	90	50	1,00	
96830	R TECTSA 1120 800 1 mm Z140	1120	800	904	90	50	1,00	
96831	R TECTSA 1120 900 1 mm Z140	1120	900	1004	90	50	1,00	
96832	R TECTSA 1120 1000 1 mm Z140	1120	1000	1104	90	50	1,00	
96833	R TECTSA 1120 1120 1 mm Z140	1120	1120	1224	90	50	1,00	
96834	R TECTSA 1250 500 1 mm Z140	1250	500	604	90	50	1,00	
96835	R TECTSA 1250 560 1 mm Z140	1250	560	664	90	50	1,00	
96836	R TECTSA 1250 600 1 mm Z140	1250	600	704	90	50	1,00	
96837	R TECTSA 1250 630 1 mm Z140	1250	630	734	90	50	1,00	
96838	R TECTSA 1250 710 1 mm Z140	1250	710	814	90	50	1,00	
96839	R TECTSA 1250 800 1 mm Z140	1250	800	904	90	50	1,00	
96840	R TECTSA 1250 900 1 mm Z140	1250	900	1004	90	50	1,00	
96841	R TECTSA 1250 1000 1 mm Z140	1250	1000	1104	90	50	1,00	
96842	R TECTSA 1250 1120 1 mm Z140	1250	1120	1224	90	50	1,00	
96843	R TECTSA 1250 1250 1 mm Z140	1250	1250	1354	90	50	1,00	

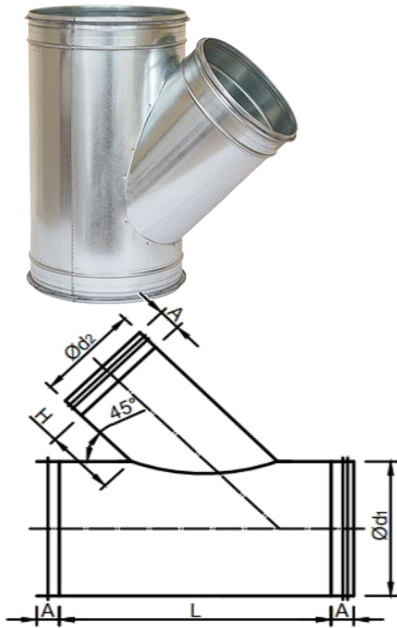
Note

For the other sizes, please contact the commercial department.

SPIRAL®SYSTEM ROUND VENTILATION DUCTS AND FITTINGS

Branch Y-pieces

Branch Y-piece 45° R TEC45



Description:

The branch port and the branch duct can be of equal or smaller diameter than the main duct.

Used Material:

Galvanized steel DX51, Class Z140.

Note:

The thickness of the galvanized sheet varies depending on the diameter.

Product Code Model

R TEC45 80 80 0,5 mm Z140

Explanation:

- R TEC45** Type
- 80** Diameter d_1 [mm]
- 80** Diameter d_2 [mm]
- 0,5 mm** Thickness δ [mm]
- Z140** Class

SKU	TYPE	Diameter d_1 [mm]	Diameter d_2 [mm]	L [mm]	H [mm]	A [mm]	Thickness δ [mm]
114413	R TEC45 80 80 0,5 mm Z140	80	80	150	83	50	0,50
114414	R TEC45 100 80 0,5 mm Z140	100	80	150	69	50	0,50
114415	R TEC45 100 100 0,5 mm Z140	100	100	200	59	50	0,50
114416	R TEC45 125 80 0,5 mm Z140	125	80	200	52	50	0,50
114417	R TEC45 125 100 0,5 mm Z140	125	100	200	42	50	0,50
97031	R TEC45 125 125 0,5 mm Z140	125	125	250	29	50	0,50
114418	R TEC45 160 80 0,5 mm Z140	160	80	200	47	50	0,50
114419	R TEC45 160 100 0,5 mm Z140	160	100	200	37	50	0,50
97032	R TEC45 160 125 0,5 mm Z140	160	125	250	24	50	0,50
97033	R TEC45 160 160 0,5 mm Z140	160	160	300	27	50	0,50
114420	R TEC45 200 80 0,5 mm Z140	200	80	200	49	50	0,50
114421	R TEC45 200 100 0,5 mm Z140	200	100	200	39	50	0,50
97034	R TEC45 200 125 0,5 mm Z140	200	125	250	26	50	0,50
97035	R TEC45 200 160 0,5 mm Z140	200	160	300	29	50	0,50
97036	R TEC45 200 200 0,5 mm Z140	200	200	355	29	50	0,50
114422	R TEC45 250 80 0,5 mm Z140	250	80	200	53	50	0,50
114423	R TEC45 250 100 0,5 mm Z140	250	100	200	43	50	0,50
97037	R TEC45 250 125 0,5 mm Z140	250	125	250	31	50	0,50
97038	R TEC45 250 160 0,5 mm Z140	250	160	300	33	50	0,50
97039	R TEC45 250 200 0,5 mm Z140	250	200	355	33	50	0,50
97040	R TEC45 250 250 0,5 mm Z140	250	250	440	28	50	0,50
114424	R TEC45 300 80 0,6 mm Z140	300	80	200	48	50	0,60
114425	R TEC45 300 100 0,6 mm Z140	300	100	200	38	50	0,60
97041	R TEC45 300 125 0,6 mm Z140	300	125	250	25	50	0,60
97042	R TEC45 300 160 0,6 mm Z140	300	160	300	28	50	0,60
97043	R TEC45 300 200 0,6 mm Z140	300	200	355	28	50	0,60

Note

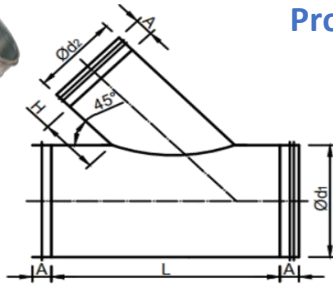
For the other sizes, please contact the commercial department.



SPIRAL® SYSTEM ROUND VENTILATION DUCTS AND FITTINGS

Branch Y-pieces

Branch Y-piece 45° R TEC45



Product Code Model

R TEC45 300 250 0,6 mm Z140

Explanation:

- R TEC45** Type
- 300** Diameter d1 [mm]
- 250** Diameter d2 [mm]
- 0,6 mm** Thickness δ [mm]
- Z140** Class

SKU	TYPE	Diameter d1 [mm]	Diameter d2 [mm]	L [mm]	H [mm]	A [mm]	Thickness δ [mm]	
97044	R TEC45 300 250 0,6 mm Z140	300	250	440	33	50	0,60	
97045	R TEC45 300 300 0,6 mm Z140	300	300	510	28	50	0,60	
114426	R TEC45 315 80 0,6 mm Z140	315	80	200	47	50	0,60	
114427	R TEC45 315 100 0,6 mm Z140	315	100	200	37	50	0,60	
97046	R TEC45 315 125 0,6 mm Z140	315	125	250	25	50	0,60	
97047	R TEC45 315 160 0,6 mm Z140	315	160	300	27	50	0,60	
97048	R TEC45 315 200 0,6 mm Z140	315	200	355	27	50	0,60	
97049	R TEC45 315 250 0,6 mm Z140	315	250	440	32	50	0,60	
97050	R TEC45 315 300 0,6 mm Z140	315	300	510	27	50	0,60	
97051	R TEC45 315 315 0,6 mm Z140	315	315	530	30	50	0,60	
114428	R TEC45 355 80 0,6 mm Z140	355	80	200	59	50	0,60	
114429	R TEC45 355 100 0,6 mm Z140	355	100	200	49	50	0,60	
97052	R TEC45 355 125 0,6 mm Z140	355	125	250	36	50	0,60	
97053	R TEC45 355 160 0,6 mm Z140	355	160	300	29	50	0,60	
97054	R TEC45 355 200 0,6 mm Z140	355	200	355	29	50	0,60	
97055	R TEC45 355 250 0,6 mm Z140	355	250	440	24	50	0,60	
97056	R TEC45 355 300 0,6 mm Z140	355	300	510	29	50	0,60	
97057	R TEC45 355 315 0,6 mm Z140	355	315	530	31	50	0,60	
97058	R TEC45 355 355 0,6 mm Z140	355	355	585	31	50	0,60	
114430	R TEC45 400 80 0,6 mm Z140	400	80	200	67	50	0,60	
114431	R TEC45 400 100 0,6 mm Z140	400	100	200	57	50	0,60	
97059	R TEC45 400 125 0,6 mm Z140	400	125	250	45	50	0,60	
97060	R TEC45 400 160 0,6 mm Z140	400	160	300	27	50	0,60	
97061	R TEC45 400 200 0,6 mm Z140	400	200	355	27	50	0,60	
97062	R TEC45 400 250 0,6 mm Z140	400	250	440	32	50	0,60	
97063	R TEC45 400 300 0,6 mm Z140	400	300	510	27	50	0,60	
97064	R TEC45 400 315 0,6 mm Z140	400	315	530	30	50	0,60	
97065	R TEC45 400 355 0,6 mm Z140	400	355	585	30	50	0,60	
97066	R TEC45 400 400 0,6 mm Z140	400	400	650	27	50	0,60	
114432	R TEC45 450 80 0,6 mm Z140	450	80	200	82	50	0,60	
114433	R TEC45 450 100 0,6 mm Z140	450	100	200	72	50	0,60	
97067	R TEC45 450 125 0,6 mm Z140	450	125	250	59	50	0,60	
97068	R TEC45 450 160 0,6 mm Z140	450	160	300	42	50	0,60	
97069	R TEC45 450 200 0,6 mm Z140	450	200	355	32	50	0,60	
97070	R TEC45 450 250 0,6 mm Z140	450	250	440	27	50	0,60	
97071	R TEC45 450 300 0,6 mm Z140	450	300	510	32	50	0,60	

Note

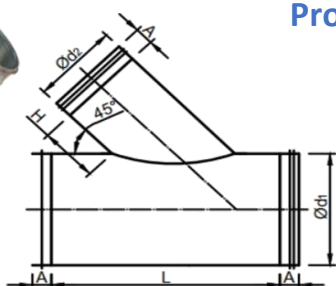
For the other sizes, please contact the commercial department.



SPIRAL® SYSTEM ROUND VENTILATION DUCTS AND FITTINGS

Branch Y-pieces

Branch Y-piece 45° R TEC45



Product Code Model

R TEC45 450 315 0,6 mm Z140

Explanation:

- R TEC45** Type
- 450** Diameter d1 [mm]
- 315** Diameter d2 [mm]
- 0,6 mm** Thickness δ [mm]
- Z140** Class

SKU	TYPE	Diameter d1 [mm]	Diameter d2 [mm]	L [mm]	H [mm]	A [mm]	Thickness δ [mm]	
97072	R TEC45 450 315 0,6 mm Z140	450	315	530	24	50	0,60	
97073	R TEC45 450 355 0,6 mm Z140	450	355	585	24	50	0,60	
97074	R TEC45 450 400 0,6 mm Z140	450	400	650	32	50	0,60	
97075	R TEC45 450 450 0,6 mm Z140	450	450	740	27	50	0,60	
114434	R TEC45 500 80 0,7 mm Z140	500	80	200	86	50	0,70	
114435	R TEC45 500 100 0,7 mm Z140	500	100	200	76	50	0,70	
97076	R TEC45 500 125 0,7 mm Z140	500	125	250	64	50	0,70	
97077	R TEC45 500 160 0,7 mm Z140	500	160	300	46	50	0,70	
97078	R TEC45 500 200 0,7 mm Z140	500	200	355	26	50	0,70	
97079	R TEC45 500 250 0,7 mm Z140	500	250	440	31	50	0,70	
97080	R TEC45 500 300 0,7 mm Z140	500	300	510	26	50	0,70	
97081	R TEC45 500 315 0,7 mm Z140	500	315	530	29	50	0,70	
97082	R TEC45 500 355 0,7 mm Z140	500	355	585	29	50	0,70	
97083	R TEC45 500 400 0,7 mm Z140	500	400	650	26	50	0,70	
97084	R TEC45 500 450 0,7 mm Z140	500	450	740	31	50	0,70	
97085	R TEC45 500 500 0,7 mm Z140	500	500	810	26	50	0,70	
97086	R TEC45 560 160 0,7 mm Z140	560	160	300	64	50	0,70	
97087	R TEC45 560 200 0,7 mm Z140	560	200	355	44	50	0,70	
97088	R TEC45 560 250 0,7 mm Z140	560	250	440	29	50	0,70	
97089	R TEC45 560 300 0,7 mm Z140	560	300	510	34	50	0,70	
97090	R TEC45 560 315 0,7 mm Z140	560	315	530	27	50	0,70	
97091	R TEC45 560 355 0,7 mm Z140	560	355	585	27	50	0,70	
97092	R TEC45 560 400 0,7 mm Z140	560	400	650	34	50	0,70	
97093	R TEC45 560 450 0,7 mm Z140	560	450	740	29	50	0,70	
97094	R TEC45 560 500 0,7 mm Z140	560	500	810	34	50	0,70	
97095	R TEC45 560 560 0,7 mm Z140	560	560	900	34	50	0,70	
97096	R TEC45 600 250 0,7 mm Z140	600	250	440	31	50	0,70	
97097	R TEC45 600 300 0,7 mm Z140	600	300	510	36	50	0,70	
97098	R TEC45 600 315 0,7 mm Z140	600	315	530	28	50	0,70	
97099	R TEC45 600 355 0,7 mm Z140	600	355	585	28	50	0,70	
97100	R TEC45 600 400 0,7 mm Z140	600	400	650	36	50	0,70	
97101	R TEC45 600 450 0,7 mm Z140	600	450	740	31	50	0,70	
97102	R TEC45 600 500 0,7 mm Z140	600	500	810	36	50	0,70	
97103	R TEC45 600 560 0,7 mm Z140	600	560	900	36	50	0,70	
97104	R TEC45 600 600 0,7 mm Z140	600	600	960	36	50	0,70	
97105	R TEC45 630 315 0,7 mm Z140	630	315	530	27	50	0,70	

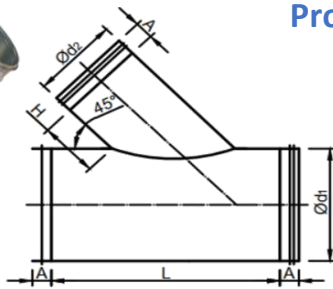
Note

For the other sizes, please contact the commercial department.

SPIRAL® SYSTEM ROUND VENTILATION DUCTS AND FITTINGS

Branch Y-pieces

Branch Y-piece 45° R TEC45



Product Code Model

R TEC45 630 355 0,7 mm Z140

Explanation:

R TEC45 Type
630 Diameter d1 [mm]
355 Diameter d2 [mm]
0,7 mm Thickness δ [mm]
Z140 Class

SKU	TYPE	Diameter d1 [mm]	Diameter d2 [mm]	L [mm]	H [mm]	A [mm]	Thickness δ [mm]	
97106	R TEC45 630 355 0,7 mm Z140	630	355	585	27	50	0,70	
97107	R TEC45 630 400 0,7 mm Z140	630	400	650	35	50	0,70	
97108	R TEC45 630 450 0,7 mm Z140	630	450	740	30	50	0,70	
97109	R TEC45 630 500 0,7 mm Z140	630	500	810	35	50	0,70	
97110	R TEC45 630 560 0,7 mm Z140	630	560	900	35	50	0,70	
97111	R TEC45 630 600 0,7 mm Z140	630	600	960	35	50	0,70	
97112	R TEC45 630 630 0,7 mm Z140	630	630	1010	30	50	0,70	
97113	R TEC45 710 315 0,7 mm Z140	710	315	530	30	50	0,70	
97114	R TEC45 710 355 0,7 mm Z140	710	355	585	30	50	0,70	
97115	R TEC45 710 400 0,7 mm Z140	710	400	650	38	50	0,70	
97116	R TEC45 710 450 0,7 mm Z140	710	450	740	33	50	0,70	
97117	R TEC45 710 500 0,7 mm Z140	710	500	810	38	50	0,70	
97118	R TEC45 710 560 0,7 mm Z140	710	560	900	38	50	0,70	
97119	R TEC45 710 600 0,7 mm Z140	710	600	960	38	50	0,70	
97120	R TEC45 710 630 0,7 mm Z140	710	630	1010	33	50	0,70	
97121	R TEC45 710 710 0,7 mm Z140	710	710	1130	33	50	0,70	
97122	R TEC45 800 315 0,8 mm Z140	800	315	530	47	50	0,80	
97123	R TEC45 800 355 0,8 mm Z140	800	355	585	47	50	0,80	
97124	R TEC45 800 400 0,8 mm Z140	800	400	650	44	50	0,80	
97125	R TEC45 800 450 0,8 mm Z140	800	450	740	49	50	0,80	
97126	R TEC45 800 500 0,8 mm Z140	800	500	810	44	50	0,80	
97127	R TEC45 800 560 0,8 mm Z140	800	560	900	44	50	0,80	
97128	R TEC45 800 600 0,8 mm Z140	800	600	960	44	50	0,80	
97129	R TEC45 800 630 0,8 mm Z140	800	630	1010	49	50	0,80	
97130	R TEC45 800 710 0,8 mm Z140	800	710	1130	49	50	0,80	
97131	R TEC45 800 800 0,8 mm Z140	800	800	1270	44	50	0,80	
97132	R TEC45 900 355 0,8 mm Z140	900	355	585	46	50	0,80	
97133	R TEC45 900 400 0,8 mm Z140	900	400	650	54	50	0,80	
97134	R TEC45 900 450 0,8 mm Z140	900	450	740	49	50	0,80	
97135	R TEC45 900 500 0,8 mm Z140	900	500	810	54	50	0,80	
97136	R TEC45 900 560 0,8 mm Z140	900	560	900	54	50	0,80	
97137	R TEC45 900 600 0,8 mm Z140	900	600	960	54	50	0,80	
97138	R TEC45 900 630 0,8 mm Z140	900	630	1010	49	50	0,80	
97139	R TEC45 900 710 0,8 mm Z140	900	710	1130	49	50	0,80	
97140	R TEC45 900 800 0,8 mm Z140	900	800	1270	54	50	0,80	
97141	R TEC45 900 900 0,8 mm Z140	900	900	1430	54	50	0,80	

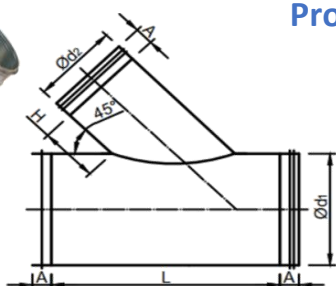
Note

For the other sizes, please contact the commercial department.

SPIRAL® SYSTEM ROUND VENTILATION DUCTS AND FITTINGS

Branch Y-pieces

Branch Y-piece 45° R TEC45



Product Code Model

R TEC45 1000 400 0,8 mm Z140

Explanation:

- R TEC45** Type
- 1000** Diameter d1 [mm]
- 400** Diameter d2 [mm]
- 0,8 mm** Thickness δ [mm]
- Z140** Class

SKU	TYPE	Diameter d1 [mm]	Diameter d2 [mm]	L [mm]	H [mm]	A [mm]	Thickness δ [mm]	
97142	R TEC45 1000 400 0,8 mm Z140	1000	400	650	53	50	0,80	
97143	R TEC45 1000 450 0,8 mm Z140	1000	450	740	48	50	0,80	
97144	R TEC45 1000 500 0,8 mm Z140	1000	500	810	53	50	0,80	
97145	R TEC45 1000 560 0,8 mm Z140	1000	560	900	53	50	0,80	
97146	R TEC45 1000 600 0,8 mm Z140	1000	600	960	53	50	0,80	
97147	R TEC45 1000 630 0,8 mm Z140	1000	630	1010	48	50	0,80	
97148	R TEC45 1000 710 0,8 mm Z140	1000	710	1130	48	51	0,80	
97149	R TEC45 1000 800 0,8 mm Z140	1000	800	1270	53	52	0,80	
97150	R TEC45 1000 900 0,8 mm Z140	1000	900	1430	53	53	0,80	
97151	R TEC45 1000 1000 0,8 mm Z140	1000	1000	1590	53	54	0,80	
97152	R TEC45 1120 500 1 mm Z140	1120	500	810	48	55	1,00	
97153	R TEC45 1120 560 1 mm Z140	1120	560	900	48	56	1,00	
97154	R TEC45 1120 600 1 mm Z140	1120	600	960	48	57	1,00	
97155	R TEC45 1120 630 1 mm Z140	1120	630	1010	53	58	1,00	
97156	R TEC45 1120 710 1 mm Z140	1120	710	1130	53	59	1,00	
97157	R TEC45 1120 800 1 mm Z140	1120	800	1270	48	60	1,00	
97158	R TEC45 1120 900 1 mm Z140	1120	900	1430	48	61	1,00	
97159	R TEC45 1120 1000 1 mm Z140	1120	1000	1590	48	62	1,00	
97160	R TEC45 1120 1120 1 mm Z140	1120	1120	1750	48	63	1,00	
97161	R TEC45 1250 500 1 mm Z140	1250	500	810	56	64	1,00	
97162	R TEC45 1250 560 1 mm Z140	1250	560	900	56	65	1,00	
97163	R TEC45 1250 600 1 mm Z140	1250	600	960	56	66	1,00	
97164	R TEC45 1250 630 1 mm Z140	1250	630	1010	51	67	1,00	
97165	R TEC45 1250 710 1 mm Z140	1250	710	1130	51	68	1,00	
97166	R TEC45 1250 800 1 mm Z140	1250	800	1270	56	69	1,00	
97167	R TEC45 1250 900 1 mm Z140	1250	900	1430	56	70	1,00	
97168	R TEC45 1250 1000 1 mm Z140	1250	1000	1590	56	71	1,00	
97169	R TEC45 1250 1120 1 mm Z140	1250	1120	1750	46	72	1,00	
97170	R TEC45 1250 1250 1 mm Z140	1250	1250	1940	51	73	1,00	

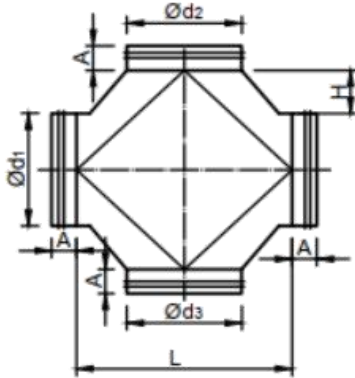
Note

For the other sizes, please contact the commercial department.

SPIRAL®SYSTEM ROUND VENTILATION DUCTS AND FITTINGS

Pieces type T; X; Y

X-piece R PIXCSA



Description:

The X- Pieces are used in air conditioning and ventilation systems, for making bifurcations in ductwork sections, both flexible and rigid, for the evacuation or introduction of as many air inlets and outlets as possible.

Used Material:

Galvanized steel DX51, Class Z140.

Note:

The thickness of the galvanized sheet varies depending on the diameter.

Product Code Model

R PIXCSA 125 125 125 0,5 mm Z140

Explanation:

R PIXCSA Type

125 Diameter d1 [mm]

125 Diameter d2 [mm]

125 Diameter d3 [mm]

0,5 mm Thickness δ [mm]

Z140 Class

A = 50 [mm]

SKU	TYPE	Diameter d1 [mm]	Diameter d2/d3 [mm]	L [mm]	H [mm]	Thickness δ [mm]	
97292	R PIXCSA 125 125 125 0,5 mm Z140	125	125	265	70	0,50	
97293	R PIXCSA 160 125 125 0,5 mm Z140	160	125	265	70	0,50	
97294	R PIXCSA 160 160 160 0,5 mm Z140	160	160	300	70	0,50	
97295	R PIXCSA 200 125 125 0,5 mm Z140	200	125	265	70	0,50	
97296	R PIXCSA 200 160 160 0,5 mm Z140	200	160	300	70	0,50	
97297	R PIXCSA 200 200 200 0,5 mm Z140	200	200	340	70	0,50	
97298	R PIXCSA 250 125 125 0,5 mm Z140	250	125	265	70	0,50	
97299	R PIXCSA 250 160 160 0,5 mm Z140	250	160	300	70	0,50	
97300	R PIXCSA 250 200 200 0,5 mm Z140	250	200	340	70	0,50	
97301	R PIXCSA 250 250 250 0,5 mm Z140	250	250	390	70	0,50	
97302	R PIXCSA 300 125 125 0,6 mm Z140	300	125	265	70	0,60	
97303	R PIXCSA 300 160 160 0,6 mm Z140	300	160	300	70	0,60	
97304	R PIXCSA 300 200 200 0,6 mm Z140	300	200	340	70	0,60	
97305	R PIXCSA 300 250 250 0,6 mm Z140	300	250	390	70	0,60	
97306	R PIXCSA 300 300 300 0,6 mm Z140	300	300	450	75	0,60	
97307	R PIXCSA 315 125 125 0,6 mm Z140	315	125	265	70	0,60	
97308	R PIXCSA 315 160 160 0,6 mm Z140	315	160	300	70	0,60	
97309	R PIXCSA 315 200 200 0,6 mm Z140	315	200	340	70	0,60	
97310	R PIXCSA 315 250 250 0,6 mm Z140	315	250	390	70	0,60	
97311	R PIXCSA 315 300 300 0,6 mm Z140	315	300	456	78	0,60	
97312	R PIXCSA 315 315 315 0,6 mm Z140	315	315	471	78	0,60	
97313	R PIXCSA 355 125 125 0,6 mm Z140	355	125	265	70	0,60	
97314	R PIXCSA 355 160 160 0,6 mm Z140	355	160	300	70	0,60	
97315	R PIXCSA 355 200 200 0,6 mm Z140	355	200	340	70	0,60	
97316	R PIXCSA 355 250 250 0,6 mm Z140	355	250	390	70	0,60	
97317	R PIXCSA 355 300 300 0,6 mm Z140	355	300	456	78	0,60	

Note

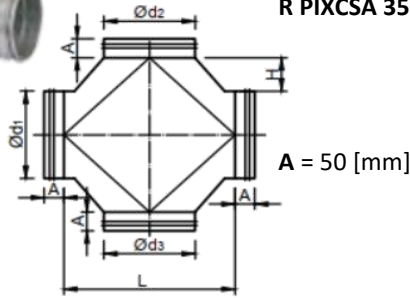
For the other sizes, please contact the commercial department.



SPIRAL® SYSTEM ROUND VENTILATION DUCTS AND FITTINGS

X-piece R PIXCSA

Pieces type T; X; Y



Product Code Model

R PIXCSA 355 315 315 0,6 mm Z140

Explanation:

R PIXCSA Type

355 Diameter d_1 [mm]

315 Diameter d_2 [mm]

315 Diameter d_3 [mm]

0,6 mm Thickness δ [mm]

Z140 Class

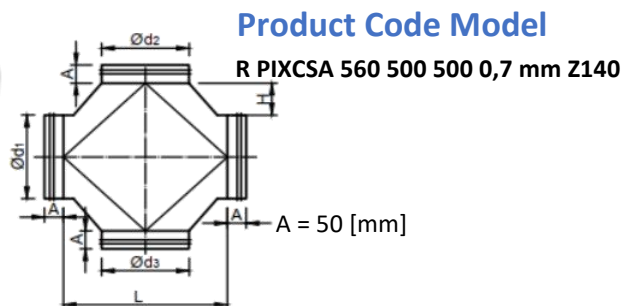
SKU	TYPE	Diameter d_1 [mm]	Diameter d_2/d_3 [mm]	L [mm]	H [mm]	Thickness δ [mm]	
97318	R PIXCSA 355 315 315 0,6 mm Z140	355	315	471	78	0,60	
97319	R PIXCSA 355 355 355 0,6 mm Z140	355	355	531	88	0,60	
97320	R PIXCSA 400 125 125 0,6 mm Z140	400	125	265	70	0,60	
97321	R PIXCSA 400 160 160 0,6 mm Z140	400	160	300	70	0,60	
97322	R PIXCSA 400 200 200 0,6 mm Z140	400	200	340	70	0,60	
97323	R PIXCSA 400 250 250 0,6 mm Z140	400	250	390	70	0,60	
97324	R PIXCSA 400 300 300 0,6 mm Z140	400	300	450	75	0,60	
97325	R PIXCSA 400 315 315 0,6 mm Z140	400	315	465	75	0,60	
97326	R PIXCSA 400 355 355 0,6 mm Z140	400	355	525	85	0,60	
97327	R PIXCSA 400 400 400 0,6 mm Z140	400	400	570	85	0,60	
97328	R PIXCSA 450 125 125 0,6 mm Z140	450	125	265	70	0,60	
97329	R PIXCSA 450 160 160 0,6 mm Z140	450	160	300	70	0,60	
97330	R PIXCSA 450 200 200 0,6 mm Z140	450	200	340	70	0,60	
97331	R PIXCSA 450 250 250 0,6 mm Z140	450	250	390	70	0,60	
97332	R PIXCSA 450 300 300 0,6 mm Z140	450	300	450	75	0,60	
97333	R PIXCSA 450 315 315 0,6 mm Z140	450	315	465	75	0,60	
97334	R PIXCSA 450 355 355 0,6 mm Z140	450	355	525	85	0,60	
97335	R PIXCSA 450 400 400 0,6 mm Z140	450	400	570	85	0,60	
97336	R PIXCSA 450 450 450 0,6 mm Z140	450	450	620	85	0,60	
97337	R PIXCSA 500 125 125 0,7 mm Z140	500	125	265	70	0,70	
97338	R PIXCSA 500 160 160 0,7 mm Z140	500	160	300	70	0,70	
97339	R PIXCSA 500 200 200 0,7 mm Z140	500	200	340	70	0,70	
97340	R PIXCSA 500 250 250 0,7 mm Z140	500	250	390	70	0,70	
97341	R PIXCSA 500 300 300 0,7 mm Z140	500	300	450	75	0,70	
97342	R PIXCSA 500 315 315 0,7 mm Z140	500	315	465	75	0,70	
97343	R PIXCSA 500 355 355 0,7 mm Z140	500	355	525	85	0,70	
97344	R PIXCSA 500 400 400 0,7 mm Z140	500	400	570	85	0,70	
97345	R PIXCSA 500 450 450 0,7 mm Z140	500	450	620	85	0,70	
97346	R PIXCSA 500 500 500 0,7 mm Z140	500	500	680	90	0,70	
97347	R PIXCSA 560 200 200 0,7 mm Z140	560	200	340	70	0,70	
97348	R PIXCSA 560 250 250 0,7 mm Z140	560	250	390	70	0,70	
97349	R PIXCSA 560 300 300 0,7 mm Z140	560	300	450	75	0,70	
97350	R PIXCSA 560 315 315 0,7 mm Z140	560	315	465	75	0,70	
97351	R PIXCSA 560 355 355 0,7 mm Z140	560	355	525	85	0,70	
97352	R PIXCSA 560 400 400 0,7 mm Z140	560	400	570	85	0,70	
97353	R PIXCSA 560 450 450 0,7 mm Z140	560	450	620	85	0,70	

Note For the other sizes, please contact the commercial department.

SPIRAL® SYSTEM ROUND VENTILATION DUCTS AND FITTINGS

X-piece R PIXCSA

Pieces type T; X; Y



Explanation:

R PIXCSA Type

560 Diameter d1 [mm]

500 Diameter d2 [mm]

500 Diameter d3 [mm]

0,7 mm Thickness δ [mm]

Z140 Class

SKU	TYPE	Diameter d1 [mm]	Diameter d2/d3 [mm]	L [mm]	H [mm]	Thickness δ [mm]	
97354	R PIXCSA 560 500 500 0,7 mm Z140	560	500	680	90	0,70	
97355	R PIXCSA 560 560 560 0,7 mm Z140	560	560	740	90	0,70	
97356	R PIXCSA 600 200 200 0,7 mm Z140	600	200	340	70	0,70	
97357	R PIXCSA 600 250 250 0,7 mm Z140	600	250	390	70	0,70	
97358	R PIXCSA 600 300 300 0,7 mm Z140	600	300	470	85	0,70	
97359	R PIXCSA 600 315 315 0,7 mm Z140	600	315	485	85	0,70	
97360	R PIXCSA 600 355 355 0,7 mm Z140	600	355	525	85	0,70	
97361	R PIXCSA 600 400 400 0,7 mm Z140	600	400	570	85	0,70	
97362	R PIXCSA 600 450 450 0,7 mm Z140	600	450	620	85	0,70	
97363	R PIXCSA 600 500 500 0,7 mm Z140	600	500	680	90	0,70	
97364	R PIXCSA 600 560 560 0,7 mm Z140	600	560	740	90	0,70	
97365	R PIXCSA 600 600 600 0,7 mm Z140	600	600	780	90	0,70	
97366	R PIXCSA 630 200 200 0,7 mm Z140	630	200	340	70	0,70	
97367	R PIXCSA 630 250 250 0,7 mm Z140	630	250	390	70	0,70	
97368	R PIXCSA 630 300 300 0,7 mm Z140	630	300	450	75	0,70	
97369	R PIXCSA 630 315 315 0,7 mm Z140	630	315	465	75	0,70	
97370	R PIXCSA 630 355 355 0,7 mm Z140	630	355	525	85	0,70	
97371	R PIXCSA 630 400 400 0,7 mm Z140	630	400	570	85	0,70	
97372	R PIXCSA 630 450 450 0,7 mm Z140	630	450	620	85	0,70	
97373	R PIXCSA 630 500 500 0,7 mm Z140	630	500	680	90	0,70	
97374	R PIXCSA 630 560 560 0,7 mm Z140	630	560	740	90	0,70	
97375	R PIXCSA 630 600 600 0,7 mm Z140	630	600	780	90	0,70	
97376	R PIXCSA 630 630 630 0,7 mm Z140	630	630	810	90	0,70	
97377	R PIXCSA 710 250 250 0,7 mm Z140	710	250	390	70	0,70	
97378	R PIXCSA 710 300 300 0,7 mm Z140	710	300	450	75	0,70	
97379	R PIXCSA 710 315 315 0,7 mm Z140	710	315	465	75	0,70	
97380	R PIXCSA 710 355 355 0,7 mm Z140	710	355	525	85	0,70	
97381	R PIXCSA 710 400 400 0,7 mm Z140	710	400	570	85	0,70	
97382	R PIXCSA 710 450 450 0,7 mm Z140	710	450	620	85	0,70	
97383	R PIXCSA 710 500 500 0,7 mm Z140	710	500	680	90	0,70	
97384	R PIXCSA 710 560 560 0,7 mm Z140	710	560	740	90	0,70	
97385	R PIXCSA 710 600 600 0,7 mm Z140	710	600	780	90	0,70	
97386	R PIXCSA 710 630 630 0,7 mm Z140	710	630	810	90	0,70	
97387	R PIXCSA 710 710 710 0,7 mm Z140	710	710	890	90	0,70	
97388	R PIXCSA 800 250 250 0,8 mm Z140	800	250	390	70	0,80	
97389	R PIXCSA 800 300 300 0,8 mm Z140	800	300	450	75	0,80	

Note

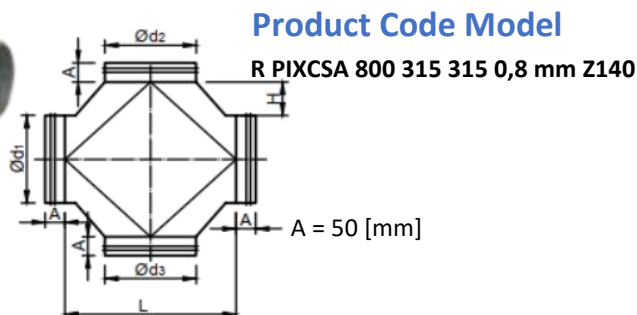
For the other sizes, please contact the commercial department.



SPIRAL® SYSTEM ROUND VENTILATION DUCTS AND FITTINGS

X-piece R PIXCSA

Pieces type T; X; Y



Explanation:

- R PIXCSA** Type
- 800** Diameter d1 [mm]
- 315** Diameter d2 [mm]
- 315** Diameter d3 [mm]
- 0,8 mm** Thickness δ [mm]
- Z140** Class

SKU	TYPE	Diameter d1 [mm]	Diameter d2/d3 [mm]	L [mm]	H [mm]	Thickness δ [mm]	
97390	R PIXCSA 800 315 315 0,8 mm Z140	800	315	465	75	0,80	
97391	R PIXCSA 800 355 355 0,8 mm Z140	800	355	525	85	0,80	
97392	R PIXCSA 800 400 400 0,8 mm Z140	800	400	570	85	0,80	
97393	R PIXCSA 800 450 450 0,8 mm Z140	800	450	620	85	0,80	
97394	R PIXCSA 800 500 500 0,8 mm Z140	800	500	680	90	0,80	
97395	R PIXCSA 800 560 560 0,8 mm Z140	800	560	740	90	0,80	
97396	R PIXCSA 800 600 600 0,8 mm Z140	800	600	780	90	0,80	
97397	R PIXCSA 800 630 630 0,8 mm Z140	800	630	810	90	0,80	
97398	R PIXCSA 800 710 710 0,8 mm Z140	800	710	890	90	0,80	
97399	R PIXCSA 800 800 800 0,8 mm Z140	800	800	980	90	0,80	
97400	R PIXCSA 900 315 315 0,8 mm Z140	900	315	465	75	0,80	
97401	R PIXCSA 900 355 355 0,8 mm Z140	900	355	525	85	0,80	
97402	R PIXCSA 900 400 400 0,8 mm Z140	900	400	570	85	0,80	
97403	R PIXCSA 900 450 450 0,8 mm Z140	900	450	620	85	0,80	
97404	R PIXCSA 900 500 500 0,8 mm Z140	900	500	680	90	0,80	
97405	R PIXCSA 900 560 560 0,8 mm Z140	900	560	740	90	0,80	
97406	R PIXCSA 900 600 600 0,8 mm Z140	900	600	780	90	0,80	
97407	R PIXCSA 900 630 630 0,8 mm Z140	900	630	810	90	0,80	
97408	R PIXCSA 900 710 710 0,8 mm Z140	900	710	890	90	0,80	
97409	R PIXCSA 900 800 800 0,8 mm Z140	900	800	980	90	0,80	
97410	R PIXCSA 900 900 900 0,8 mm Z140	900	900	1080	90	0,80	
97411	R PIXCSA 1000 315 315 0,8 mm Z140	1000	315	465	75	0,80	
97412	R PIXCSA 1000 400 400 0,8 mm Z140	1000	400	570	85	0,80	
97413	R PIXCSA 1000 450 450 0,8 mm Z140	1000	450	620	85	0,80	
97414	R PIXCSA 1000 500 500 0,8 mm Z140	1000	500	680	90	0,80	
97415	R PIXCSA 1000 560 560 0,8 mm Z140	1000	560	740	90	0,80	
97416	R PIXCSA 1000 600 600 0,8 mm Z140	1000	600	780	90	0,80	
97417	R PIXCSA 1000 630 630 0,8 mm Z140	1000	630	810	90	0,80	
97418	R PIXCSA 1000 710 710 0,8 mm Z140	1000	710	890	90	0,80	
97419	R PIXCSA 1000 800 800 0,8 mm Z140	1000	800	980	90	0,80	
97420	R PIXCSA 1000 900 900 0,8 mm Z140	1000	900	1080	90	0,80	
97421	R PIXCSA 1000 1000 1000 0,8 mm Z140	1000	1000	1180	90	0,80	
97422	R PIXCSA 1120 500 500 1 mm Z140	1120	500	680	90	1,00	
97423	R PIXCSA 1120 560 560 1 mm Z140	1120	560	740	90	1,00	
97424	R PIXCSA 1120 600 600 1 mm Z140	1120	600	780	90	1,00	
97425	R PIXCSA 1120 630 630 1 mm Z140	1120	630	810	90	1,00	

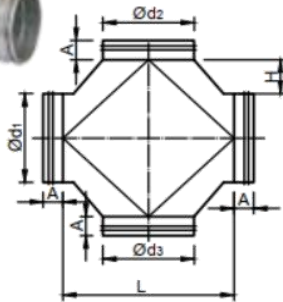
Note

For the other sizes, please contact the commercial department.

SPIRAL® SYSTEM ROUND VENTILATION DUCTS AND FITTINGS

Pieces type T; X; Y

X-piece R PIXCSA



A = 50 [mm]

Product Code Model

R PIXCSA 1120 710 710 1 mm Z140

Explanation:

R PIXCSA Type

1120 Diameter d1 [mm]

710 Diameter d2 [mm]

710 Diameter d3 [mm]

1 mm Thickness δ [mm]

Z140 Class

SKU	TYPE	Diameter d1 [mm]	Diameter d2/d3 [mm]	L [mm]	H [mm]	Thickness δ [mm]	
97426	R PIXCSA 1120 710 710 1 mm Z140	1120	710	890	90	1,00	
97427	R PIXCSA 1120 800 800 1 mm Z140	1120	800	980	90	1,00	
97428	R PIXCSA 1120 900 900 1 mm Z140	1120	900	1080	90	1,00	
97429	R PIXCSA 1120 1000 1000 1 mm Z140	1120	1000	1180	90	1,00	
97430	R PIXCSA 1120 1120 1120 1 mm Z140	1120	1120	1300	90	1,00	
97431	R PIXCSA 1250 500 500 1 mm Z140	1250	500	680	90	1,00	
97432	R PIXCSA 1250 560 560 1 mm Z140	1250	560	740	90	1,00	
97433	R PIXCSA 1250 600 600 1 mm Z140	1250	600	780	90	1,00	
97434	R PIXCSA 1250 630 630 1 mm Z140	1250	630	810	90	1,00	
97435	R PIXCSA 1250 710 710 1 mm Z140	1250	710	890	90	1,00	
97436	R PIXCSA 1250 800 800 1 mm Z140	1250	800	980	90	1,00	
97437	R PIXCSA 1250 900 900 1 mm Z140	1250	900	1080	90	1,00	
97438	R PIXCSA 1250 1000 1000 1 mm Z140	1250	1000	1180	90	1,00	
97439	R PIXCSA 1250 1120 1120 1 mm Z140	1250	1120	1300	90	1,00	
97440	R PIXCSA 1250 1250 1250 1 mm Z140	1250	1250	1430	90	1,00	

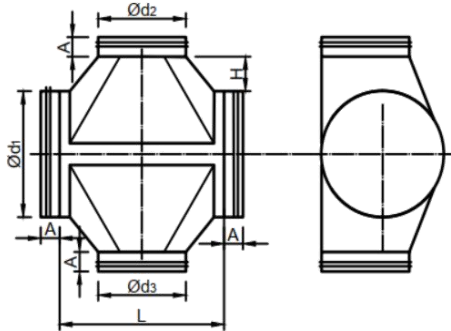
Note

For the other sizes, please contact the commercial department.

SPIRAL® SYSTEM ROUND VENTILATION DUCTS AND FITTINGS

Pieces type T; X; Y

X-Piece R PIXCSAE



Description:

The X - pieces are used in air conditioning and ventilation systems for making bifurcations in ductwork sections, both flexible and rigid, for exhaust or inlet, as well as for intake of exhaust and supply air.

Used Material:

Galvanized steel DX51, Class Z140.

Note:

The thickness of the galvanized sheet varies depending on the diameter.

Product Code Model

R PIXCSAE 160 80 80 0,5 mm Z140

Explanation:

R PIXCSAE Type

160 Diameter d1 [mm]

80 Diameter d2 [mm]

80 Diameter d3 [mm]

0,5 mm Thickness δ [mm]

Z140 Class

A = 50 [mm]

SKU	TYPE	Diameter d1 [mm]	Diameter d2/d3 [mm]	L [mm]	H [mm]	e [mm]	Thickness δ [mm]
114436	R PIXCSAE 160 80 80 0,5 mm Z14	160	80	200	50	40	0,50
114437	R PIXCSAE 160 100 100 0,5 mm Z	160	100	200	50	30	0,50
97571	R PIXCSAE 160 125 125 0,5 mm Z	160	125	240	50	17,5	0,50
114438	R PIXCSAE 200 80 80 0,5 mm Z14	200	80	200	50	60	0,50
114439	R PIXCSAE 200 100 100 0,5 mm Z	200	100	200	50	50	0,50
97572	R PIXCSAE 200 125 125 0,5 mm Z	200	125	240	50	37,5	0,50
97573	R PIXCSAE 200 160 160 0,5 mm Z	200	160	280	50	20	0,50
114440	R PIXCSAE 250 80 80 0,5 mm Z14	250	80	200	50	85	0,50
114441	R PIXCSAE 250 100 100 0,5 mm Z	250	100	200	50	75	0,50
97574	R PIXCSAE 250 125 125 0,5 mm Z	250	125	240	50	62,5	0,50
97575	R PIXCSAE 250 160 160 0,5 mm Z	250	160	280	50	45	0,50
97576	R PIXCSAE 250 200 200 0,5 mm Z	250	200	345	65	25	0,50
114442	R PIXCSAE 300 80 80 0,6 mm Z14	300	80	200	50	110	0,60
114443	R PIXCSAE 300 100 100 0,6 mm Z	300	100	200	50	100	0,60
97577	R PIXCSAE 300 125 125 0,6 mm Z	300	125	240	50	87,5	0,60
97578	R PIXCSAE 300 160 160 0,6 mm Z	300	160	280	50	70	0,60
97579	R PIXCSAE 300 200 200 0,6 mm Z	300	200	345	65	50	0,60
97580	R PIXCSAE 300 250 250 0,6 mm Z	300	250	395	65	25	0,60
114444	R PIXCSAE 315 80 80 0,6 mm Z14	315	80	200	50	117,5	0,60
114445	R PIXCSAE 315 100 100 0,6 mm Z	315	100	200	50	107,5	0,60
97581	R PIXCSAE 315 125 125 0,6 mm Z	315	125	250	50	95	0,60
97582	R PIXCSAE 315 160 160 0,6 mm Z	315	160	290	50	77,5	0,60
97583	R PIXCSAE 315 200 200 0,6 mm Z	315	200	342	56	57,5	0,60
97584	R PIXCSAE 315 250 250 0,6 mm Z	315	250	395	65	32,5	0,60
97585	R PIXCSAE 315 300 300 0,6 mm Z	315	300	465	75	7,5	0,60
114446	R PIXCSAE 355 80 80 0,6 mm Z14	355	80	200	50	137,5	0,60

Note

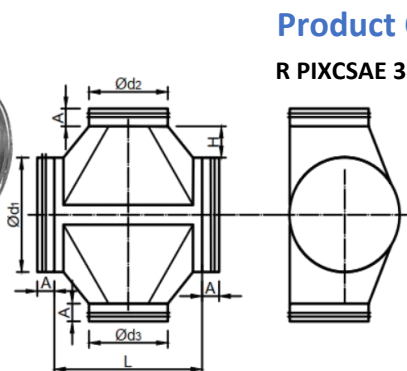
For the other sizes, please contact the commercial department.



SPIRAL® SYSTEM ROUND VENTILATION DUCTS AND FITTINGS

X-Piece R PIXCSAE

Pieces type T; X; Y



Product Code Model

R PIXCSAE 355 100 100 0,6 mm Z140

A = 50 [mm]

Explanation:

R PIXCSAE Type

355 Diameter d1 [mm]

100 Diameter d2 [mm]

100 Diameter d3 [mm]

0,6 mm Thickness δ [mm]

Z140 Class

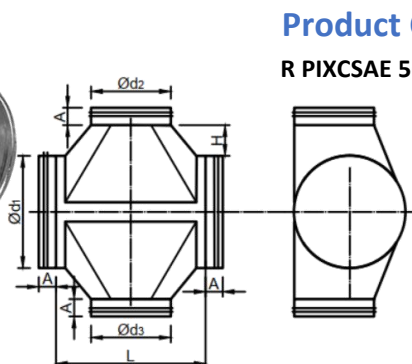
SKU	TYPE	Diameter d1 [mm]	Diameter d2/d3 [mm]	L [mm]	H [mm]	e [mm]	Thickness δ [mm]	
114447	R PIXCSAE 355 100 100 0,6 mm Z	355	100	200	50	127,5	0,60	
97586	R PIXCSAE 355 125 125 0,6 mm Z	355	125	250	50	115	0,60	
97587	R PIXCSAE 355 160 160 0,6 mm Z	355	160	295	50	97,5	0,60	
97588	R PIXCSAE 355 200 200 0,6 mm Z	355	200	345	65	77,5	0,60	
97589	R PIXCSAE 355 250 250 0,6 mm Z	355	250	395	65	52,5	0,60	
97590	R PIXCSAE 355 300 300 0,6 mm Z	355	300	465	75	27,5	0,60	
97591	R PIXCSAE 355 315 315 0,6 mm Z	355	315	490	75	20	0,60	
114448	R PIXCSAE 400 80 80 0,6 mm Z14	400	80	200	50	160	0,60	
114449	R PIXCSAE 400 100 100 0,6 mm Z	400	100	200	50	150	0,60	
97592	R PIXCSAE 400 125 125 0,6 mm Z	400	125	250	50	137,5	0,60	
97593	R PIXCSAE 400 160 160 0,6 mm Z	400	160	290	50	120	0,60	
97594	R PIXCSAE 400 200 200 0,6 mm Z	400	200	345	65	100	0,60	
97595	R PIXCSAE 400 250 250 0,6 mm Z	400	250	395	65	75	0,60	
97596	R PIXCSAE 400 300 300 0,6 mm Z	400	300	465	75	50	0,60	
97597	R PIXCSAE 400 315 315 0,6 mm Z	400	315	480	75	42,5	0,60	
97598	R PIXCSAE 400 355 355 0,6 mm Z	400	355	540	85	22,5	0,60	
97599	R PIXCSAE 450 160 160 0,6 mm Z	450	160	290	50	145	0,60	
97600	R PIXCSAE 450 200 200 0,6 mm Z	450	200	345	65	125	0,60	
97601	R PIXCSAE 450 250 250 0,6 mm Z	450	250	395	65	100	0,60	
97602	R PIXCSAE 450 300 300 0,6 mm Z	450	300	465	75	75	0,60	
97603	R PIXCSAE 450 315 315 0,6 mm Z	450	315	480	75	67,5	0,60	
97604	R PIXCSAE 450 355 355 0,6 mm Z	450	355	540	85	47,5	0,60	
97605	R PIXCSAE 450 400 400 0,6 mm Z	450	400	585	85	25	0,60	
97606	R PIXCSAE 500 200 200 0,7 mm Z	500	200	345	65	150	0,70	
97607	R PIXCSAE 500 250 250 0,7 mm Z	500	250	395	65	125	0,70	
97608	R PIXCSAE 500 300 300 0,7 mm Z	500	300	465	75	100	0,70	
97609	R PIXCSAE 500 315 315 0,7 mm Z	500	315	480	75	92,5	0,70	
97610	R PIXCSAE 500 355 355 0,7 mm Z	500	355	540	85	72,5	0,70	
97611	R PIXCSAE 500 400 400 0,7 mm Z	500	400	585	85	50	0,70	
97612	R PIXCSAE 500 450 450 0,7 mm Z	500	450	635	85	25	0,70	
97613	R PIXCSAE 560 200 200 0,7 mm Z	560	200	345	65	180	0,70	
97614	R PIXCSAE 560 250 250 0,7 mm Z	560	250	395	65	155	0,70	
97615	R PIXCSAE 560 300 300 0,7 mm Z	560	300	465	75	130	0,70	
97616	R PIXCSAE 560 315 315 0,7 mm Z	560	315	480	75	122,5	0,70	
97617	R PIXCSAE 560 355 355 0,7 mm Z	560	355	540	85	102,5	0,70	
97618	R PIXCSAE 560 400 400 0,7 mm Z	560	400	585	85	80	0,70	



SPIRAL® SYSTEM ROUND VENTILATION DUCTS AND FITTINGS

X-Piece R PIXCSAE

Pieces type T; X; Y



Product Code Model

R PIXCSAE 560 450 450 0,7 mm Z140

Explanation:

R PIXCSAE Type

560 Diameter d1 [mm]

450 Diameter d2 [mm]

450 Diameter d3 [mm]

0,7 mm Thickness δ [mm]

Z140 Class

A = 50 [mm]

SKU	TYPE	Diameter d1 [mm]	Diameter d2/d3 [mm]	L [mm]	H [mm]	e [mm]	Thickness δ [mm]	
97619	R PIXCSAE 560 450 450 0,7 mm Z	560	450	635	85	55	0,70	
97620	R PIXCSAE 560 500 500 0,7 mm Z	560	500	695	90	30	0,70	
97621	R PIXCSAE 600 200 200 0,7 mm Z	600	200	345	65	200	0,70	
97622	R PIXCSAE 600 250 250 0,7 mm Z	600	250	395	65	175	0,70	
97623	R PIXCSAE 600 300 300 0,7 mm Z	600	300	465	75	150	0,70	
97624	R PIXCSAE 600 315 315 0,7 mm Z	600	315	480	75	142,5	0,70	
97625	R PIXCSAE 600 355 355 0,7 mm Z	600	355	540	85	122,5	0,70	
97626	R PIXCSAE 600 400 400 0,7 mm Z	600	400	585	85	100	0,70	
97627	R PIXCSAE 600 450 450 0,7 mm Z	600	450	635	85	75	0,70	
97628	R PIXCSAE 600 500 500 0,7 mm Z	600	500	695	90	50	0,70	
97629	R PIXCSAE 600 560 560 0,7 mm Z	600	560	755	90	20	0,70	
97630	R PIXCSAE 630 200 200 0,7 mm Z	630	200	355	65	215	0,70	
97631	R PIXCSAE 630 250 250 0,7 mm Z	630	250	405	65	190	0,70	
97632	R PIXCSAE 630 300 300 0,7 mm Z	630	300	465	75	165	0,70	
97633	R PIXCSAE 630 315 315 0,7 mm Z	630	315	480	75	157,5	0,70	
97634	R PIXCSAE 630 355 355 0,7 mm Z	630	355	540	85	137,5	0,70	
97635	R PIXCSAE 630 400 400 0,7 mm Z	630	400	585	85	115	0,70	
97636	R PIXCSAE 630 450 450 0,7 mm Z	630	450	635	85	90	0,70	
97637	R PIXCSAE 630 500 500 0,7 mm Z	630	500	695	90	65	0,70	
97638	R PIXCSAE 630 560 560 0,7 mm Z	630	560	755	90	35	0,70	
97639	R PIXCSAE 630 600 600 0,7 mm Z	630	600	795	90	15	0,70	
97640	R PIXCSAE 710 250 250 0,7 mm Z	710	250	455	65	230	0,70	
97641	R PIXCSAE 710 300 300 0,7 mm Z	710	300	525	75	205	0,70	
97642	R PIXCSAE 710 315 315 0,7 mm Z	710	315	530	75	197,5	0,70	
97643	R PIXCSAE 710 355 355 0,7 mm Z	710	355	580	85	177,5	0,70	
97644	R PIXCSAE 710 400 400 0,7 mm Z	710	400	625	85	155	0,70	
97645	R PIXCSAE 710 450 450 0,7 mm Z	710	450	675	85	130	0,70	
97646	R PIXCSAE 710 500 500 0,7 mm Z	710	500	730	90	105	0,70	
97647	R PIXCSAE 710 560 560 0,7 mm Z	710	560	790	90	75	0,70	
97648	R PIXCSAE 710 600 600 0,7 mm Z	710	600	830	90	55	0,70	
97649	R PIXCSAE 710 630 630 0,7 mm Z	710	630	860	90	40	0,70	
97650	R PIXCSAE 800 250 250 0,8 mm Z	800	250	455	65	275	0,80	
97651	R PIXCSAE 800 300 300 0,8 mm Z	800	300	515	75	250	0,80	
97652	R PIXCSAE 800 315 315 0,8 mm Z	800	315	530	75	242,5	0,80	
97653	R PIXCSAE 800 355 355 0,8 mm Z	800	355	580	85	222,5	0,80	
97654	R PIXCSAE 800 400 400 0,8 mm Z	800	400	625	85	200	0,80	

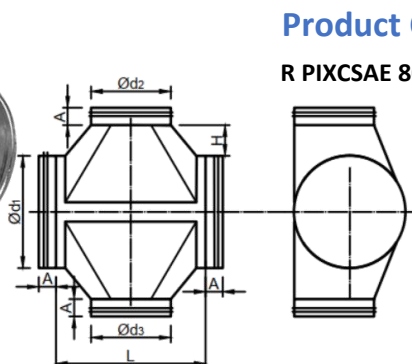
Note For the other sizes, please contact the commercial department.



SPIRAL® SYSTEM ROUND VENTILATION DUCTS AND FITTINGS

X-Piece R PIXCSAE

Pieces type T; X; Y



Product Code Model

R PIXCSAE 800 450 450 0,8 mm Z140

A = 50 [mm]

Explanation:

R PIXCSAE Type

800 Diameter d1 [mm]

450 Diameter d2 [mm]

450 Diameter d3 [mm]

0,8 mm Thickness δ [mm]

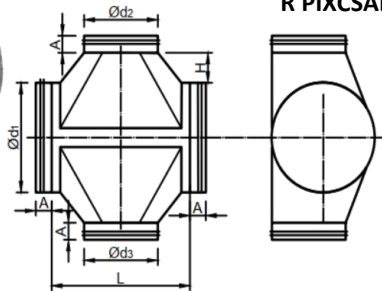
Z140 Class

SKU	TYPE	Diameter d1 [mm]	Diameter d2/d3 [mm]	L [mm]	H [mm]	e [mm]	Thickness δ [mm]
97655	R PIXCSAE 800 450 450 0,8 mm Z	800	450	675	85	175	0,80
97656	R PIXCSAE 800 500 500 0,8 mm Z	800	500	730	90	150	0,80
97657	R PIXCSAE 800 560 560 0,8 mm Z	800	560	790	90	120	0,80
97658	R PIXCSAE 800 600 600 0,8 mm Z	800	600	830	90	100	0,80
97659	R PIXCSAE 800 630 630 0,8 mm Z	800	630	860	90	85	0,80
97660	R PIXCSAE 800 710 710 0,8 mm Z	800	710	940	90	45	0,80
97661	R PIXCSAE 900 315 315 0,8 mm Z	900	315	530	75	292,5	0,80
97662	R PIXCSAE 900 355 355 0,8 mm Z	900	355	580	85	272,5	0,80
97663	R PIXCSAE 900 400 400 0,8 mm Z	900	400	625	85	250	0,80
97664	R PIXCSAE 900 450 450 0,8 mm Z	900	450	675	85	225	0,80
97665	R PIXCSAE 900 500 500 0,8 mm Z	900	500	730	90	200	0,80
97666	R PIXCSAE 900 560 560 0,8 mm Z	900	560	790	90	170	0,80
97667	R PIXCSAE 900 600 600 0,8 mm Z	900	600	830	90	150	0,80
97668	R PIXCSAE 900 630 630 0,8 mm Z	900	630	860	90	135	0,80
97669	R PIXCSAE 900 710 710 0,8 mm Z	900	710	940	90	95	0,80
97670	R PIXCSAE 900 800 800 0,8 mm Z	900	800	1030	90	50	0,80
97671	R PIXCSAE 1000 315 315 0,8 mm	1000	315	530	75	342,5	0,80
97672	R PIXCSAE 1000 355 355 0,8 mm	1000	355	580	85	322,5	0,80
97673	R PIXCSAE 1000 400 400 0,8 mm	1000	400	625	85	300	0,80
97674	R PIXCSAE 1000 450 450 0,8 mm	1000	450	675	85	275	0,80
97675	R PIXCSAE 1000 500 500 0,8 mm	1000	500	730	90	250	0,80
97676	R PIXCSAE 1000 560 560 0,8 mm	1000	560	790	90	220	0,80
97677	R PIXCSAE 1000 600 600 0,8 mm	1000	600	830	90	200	0,80
97678	R PIXCSAE 1000 630 630 0,8 mm	1000	630	860	90	185	0,80
97679	R PIXCSAE 1000 710 710 0,8 mm	1000	710	940	90	145	0,80
97680	R PIXCSAE 1000 800 800 0,8 mm	1000	800	1030	90	100	0,80
97681	R PIXCSAE 1000 900 900 0,8 mm	1000	900	1150	90	50	0,80
97682	R PIXCSAE 1120 500 500 1 mm Z	1120	500	730	90	310	1,00
97683	R PIXCSAE 1120 560 560 1 mm Z	1120	560	790	90	280	1,00
97684	R PIXCSAE 1120 600 600 1 mm Z	1120	600	830	90	260	1,00
97685	R PIXCSAE 1120 630 630 1 mm Z	1120	630	860	90	245	1,00
97686	R PIXCSAE 1120 710 710 1 mm Z	1120	710	940	90	205	1,00
97687	R PIXCSAE 1120 800 800 1 mm Z	1120	800	1030	90	160	1,00
97688	R PIXCSAE 1120 900 900 1 mm Z	1120	900	1150	90	110	1,00
97689	R PIXCSAE 1120 1000 1000 1 mm	1120	1000	1250	90	60	1,00
97690	R PIXCSAE 1250 500 500 1 mm Z	1250	500	730	90	375	1,00

SPIRAL® SYSTEM ROUND VENTILATION DUCTS AND FITTINGS

X-Piece R PIXCSAE

Pieces type T; X; Y



Product Code Model

R PIXCSAE 1250 560 560 1 mm Z140

Explanation:

R PIXCSAE Type

1250 Diameter d1 [mm]

560 Diameter d2 [mm]

560 Diameter d3 [mm]

1 mm Thickness δ [mm]

Z140 Class

A = 50 [mm]

SKU	TYPE	Diameter d1 [mm]	Diameter d2/d3 [mm]	L [mm]	H [mm]	e [mm]	Thickness δ [mm]	
97691	R PIXCSAE 1250 560 560 1 mm Z140	1250	560	790	90		1,00	
97692	R PIXCSAE 1250 600 600 1 mm Z140	1250	600	830	90		1,00	
97693	R PIXCSAE 1250 630 630 1 mm Z140	1250	630	860	90		1,00	
97694	R PIXCSAE 1250 710 710 1 mm Z140	1250	710	940	90		1,00	
97695	R PIXCSAE 1250 800 800 1 mm Z140	1250	800	1030	90		1,00	
97696	R PIXCSAE 1250 900 900 1 mm Z140	1250	900	1130	90		1,00	
97697	R PIXCSAE 1250 1000 1000 1 mm Z140	1250	1000	1250	90		1,00	
97698	R PIXCSAE 1250 1120 1120 1 mm Z140	1250	1120	1370	90		1,00	

Note

For the other sizes, please contact the commercial department.

SPIRAL®SYSTEM ROUND VENTILATION DUCTS AND FITTINGS

Pieces type T; X; Y

X-Piece Centric R PIXCSAP



Description:

The X- Piece is used in air conditioning and ventilation systems for making bifurcations in the flexible and rigid exhaust ducts for the most uniform introduction of air.

Used Material:

Galvanized steel DX51, Class Z140.

Note:

The thickness of the galvanized sheet varies depending on the diameter.

Product Code Model

R PIXCSAP 160 80 80 0,5 mm Z140

Explanation:

R PIXCSAP Type

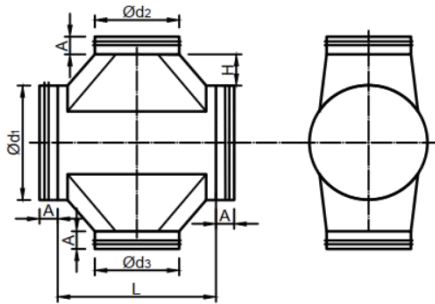
160 Diameter d1 [mm]

80 Diameter d2 [mm]

80 Diameter d3 [mm]

0,5 mm Thickness δ [mm]

Z140 Class



A = 50 [mm]

SKU	TYPE	Diameter d1 [mm]	Diameter d2/d3 [mm]	L [mm]	H [mm]	Thickness δ [mm]	
114450	R PIXCSAP 160 80 80 0,5 mm Z140	160	80	161	70	0,50	
114451	R PIXCSAP 160 100 100 0,5 mm Z140	160	100	181	70	0,50	
97810	R PIXCSAP 160 125 125 0,5 mm Z140	160	125	206	70	0,50	
114452	R PIXCSAP 200 80 80 0,5 mm Z140	200	80	161	70	0,50	
114453	R PIXCSAP 200 100 100 0,5 mm Z140	200	100	181	70	0,50	
97811	R PIXCSAP 200 125 125 0,5 mm Z140	200	125	206	70	0,50	
97812	R PIXCSAP 200 160 160 0,5 mm Z140	200	160	241	70	0,50	
114454	R PIXCSAP 250 80 80 0,5 mm Z140	250	80	161	70	0,50	
114455	R PIXCSAP 250 100 100 0,5 mm Z140	250	100	181	70	0,50	
97813	R PIXCSAP 250 125 125 0,5 mm Z140	250	125	206	70	0,50	
97814	R PIXCSAP 250 160 160 0,5 mm Z140	250	160	241	70	0,50	
97815	R PIXCSAP 250 200 200 0,5 mm Z140	250	200	281	70	0,50	
114456	R PIXCSAP 300 80 80 0,6 mm Z140	300	80	161	70	0,60	
114457	R PIXCSAP 300 100 100 0,6 mm Z140	300	100	181	70	0,60	
97816	R PIXCSAP 300 125 125 0,6 mm Z140	300	125	206	70	0,60	
97817	R PIXCSAP 300 160 160 0,6 mm Z140	300	160	241	70	0,60	
97818	R PIXCSAP 300 200 200 0,6 mm Z140	300	200	281	70	0,60	
97819	R PIXCSAP 300 250 250 0,6 mm Z140	300	250	331	70	0,60	
114458	R PIXCSAP 315 80 80 0,6 mm Z140	315	80	161	70	0,60	
114459	R PIXCSAP 315 100 100 0,6 mm Z140	315	100	181	70	0,60	
97820	R PIXCSAP 315 125 125 0,6 mm Z140	315	125	206	70	0,60	
97821	R PIXCSAP 315 160 160 0,6 mm Z140	315	160	241	70	0,60	
97822	R PIXCSAP 315 200 200 0,6 mm Z140	315	200	281	70	0,60	
97823	R PIXCSAP 315 250 250 0,6 mm Z140	315	250	331	70	0,60	
97824	R PIXCSAP 315 300 300 0,6 mm Z140	315	300	391	78	0,60	
114460	R PIXCSAP 355 80 80 0,6 mm Z140	355	80	161	70	0,60	

Note

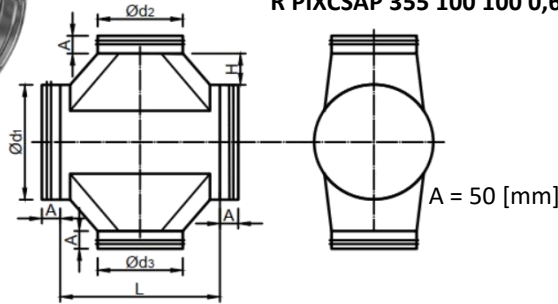
For the other sizes, please contact the commercial department.



SPIRAL® SYSTEM ROUND VENTILATION DUCTS AND FITTINGS

X-Piece Centric R PIXCSAP

Pieces type T; X; Y



Product Code Model

R PIXCSAP 355 100 100 0,6 mm Z140

Explanation:

R PIXCSAP Type

355 Diameter d1 [mm]

100 Diameter d2 [mm]

100 Diameter d3 [mm]

0,6 mm Thickness δ [mm]

Z140 Class

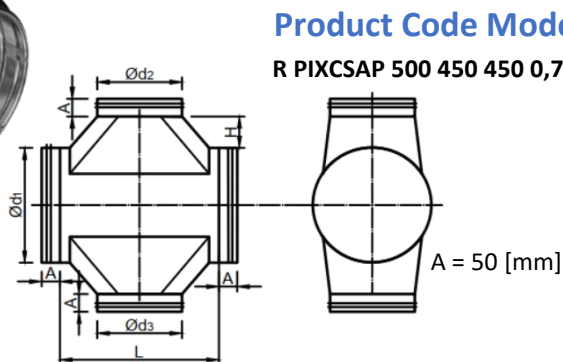
SKU	TYPE	Diameter d1 [mm]	Diameter d2/d3 [mm]	L [mm]	H [mm]	Thickness δ [mm]	
114461	R PIXCSAP 355 100 100 0,6 mm Z140	355	100	181	70	0,60	
97825	R PIXCSAP 355 125 125 0,6 mm Z140	355	125	206	70	0,60	
97826	R PIXCSAP 355 160 160 0,6 mm Z140	355	160	241	70	0,60	
97827	R PIXCSAP 355 200 200 0,6 mm Z140	355	200	281	70	0,60	
97828	R PIXCSAP 355 250 250 0,6 mm Z140	355	250	331	70	0,60	
97829	R PIXCSAP 355 300 300 0,6 mm Z140	355	300	391	78	0,60	
97830	R PIXCSAP 355 315 315 0,6 mm Z140	355	315	406	78	0,60	
114462	R PIXCSAP 400 80 80 0,6 mm Z140	400	80	161	70	0,60	
114463	R PIXCSAP 400 100 100 0,6 mm Z140	400	100	181	70	0,60	
97831	R PIXCSAP 400 125 125 0,6 mm Z140	400	125	206	70	0,60	
97832	R PIXCSAP 400 160 160 0,6 mm Z140	400	160	241	70	0,60	
97833	R PIXCSAP 400 200 200 0,6 mm Z140	400	200	281	70	0,60	
97834	R PIXCSAP 400 250 250 0,6 mm Z140	400	250	331	70	0,60	
97835	R PIXCSAP 400 300 300 0,6 mm Z140	400	300	387	75	0,60	
97836	R PIXCSAP 400 315 315 0,6 mm Z140	400	315	402	75	0,60	
97837	R PIXCSAP 400 355 355 0,6 mm Z140	400	355	454	85	0,60	
114464	R PIXCSAP 450 80 80 0,6 mm Z140	450	80	161	70	0,60	
114465	R PIXCSAP 450 100 100 0,6 mm Z140	450	100	181	70	0,60	
97838	R PIXCSAP 450 125 125 0,6 mm Z140	450	125	206	70	0,60	
97839	R PIXCSAP 450 160 160 0,6 mm Z140	450	160	241	70	0,60	
97840	R PIXCSAP 450 200 200 0,6 mm Z140	450	200	281	70	0,60	
97841	R PIXCSAP 450 250 250 0,6 mm Z140	450	250	331	70	0,60	
97842	R PIXCSAP 450 300 300 0,6 mm Z140	450	300	387	75	0,60	
97843	R PIXCSAP 450 315 315 0,6 mm Z140	450	315	402	75	0,60	
97844	R PIXCSAP 450 355 355 0,6 mm Z140	450	355	454	85	0,60	
97845	R PIXCSAP 450 400 400 0,6 mm Z140	450	400	499	85	0,60	
114466	R PIXCSAP 500 80 80 0,7 mm Z140	500	80	161	70	0,70	
114467	R PIXCSAP 500 100 100 0,7 mm Z140	500	100	181	70	0,70	
97846	R PIXCSAP 500 125 125 0,7 mm Z140	500	125	206	70	0,70	
97847	R PIXCSAP 500 160 160 0,7 mm Z140	500	160	241	70	0,70	
97848	R PIXCSAP 500 200 200 0,7 mm Z140	500	200	281	70	0,70	
97849	R PIXCSAP 500 250 250 0,7 mm Z140	500	250	331	70	0,70	
97850	R PIXCSAP 500 300 300 0,7 mm Z140	500	300	387	75	0,70	
97851	R PIXCSAP 500 315 315 0,7 mm Z140	500	315	402	75	0,70	
97852	R PIXCSAP 500 355 355 0,7 mm Z140	500	355	454	85	0,70	
97853	R PIXCSAP 500 400 400 0,7 mm Z140	500	400	499	85	0,70	



SPIRAL® SYSTEM ROUND VENTILATION DUCTS AND FITTINGS

X-Piece Centric R PIXCSAP

Pieces type T; X; Y



Product Code Model

R PIXCSAP 500 450 450 0,7 mm Z140

Explanation:

R PIXCSAP Type

500 Diameter d1 [mm]

450 Diameter d2 [mm]

450 Diameter d3 [mm]

0,7 mm Thickness δ [mm]

Z140 Class

SKU	TYPE	Diameter d1 [mm]	Diameter d2/d3 [mm]	L [mm]	H [mm]	Thickness δ [mm]	
97854	R PIXCSAP 500 450 450 0,7 mm Z140	500	450	549	85	0,70	
97855	R PIXCSAP 560 200 200 0,7 mm Z140	560	200	281	70	0,70	
97856	R PIXCSAP 560 250 250 0,7 mm Z140	560	250	331	70	0,70	
97857	R PIXCSAP 560 300 300 0,7 mm Z140	560	300	387	75	0,70	
97858	R PIXCSAP 560 315 315 0,7 mm Z140	560	315	402	75	0,70	
97859	R PIXCSAP 560 355 355 0,7 mm Z140	560	355	454	85	0,70	
97860	R PIXCSAP 560 400 400 0,7 mm Z140	560	400	499	85	0,70	
97861	R PIXCSAP 560 450 450 0,7 mm Z140	560	450	549	85	0,70	
97862	R PIXCSAP 560 500 500 0,7 mm Z140	560	500	604	90	0,70	
97863	R PIXCSAP 600 200 200 0,7 mm Z140	600	200	281	70	0,70	
97864	R PIXCSAP 600 250 250 0,7 mm Z140	600	250	331	70	0,70	
97865	R PIXCSAP 600 300 300 0,7 mm Z140	600	300	399	85	0,70	
97866	R PIXCSAP 600 315 315 0,7 mm Z140	600	315	414	85	0,70	
97867	R PIXCSAP 600 355 355 0,7 mm Z140	600	355	454	85	0,70	
97868	R PIXCSAP 600 400 400 0,7 mm Z140	600	400	499	85	0,70	
97869	R PIXCSAP 600 450 450 0,7 mm Z140	600	450	549	85	0,70	
97870	R PIXCSAP 600 500 500 0,7 mm Z140	600	500	604	90	0,70	
97871	R PIXCSAP 600 560 560 0,7 mm Z140	600	560	664	90	0,70	
97872	R PIXCSAP 630 200 200 0,7 mm Z140	630	200	281	70	0,70	
97873	R PIXCSAP 630 250 250 0,7 mm Z140	630	250	331	70	0,70	
97874	R PIXCSAP 630 300 300 0,7 mm Z140	630	300	387	75	0,70	
97875	R PIXCSAP 630 315 315 0,7 mm Z140	630	315	402	75	0,70	
97876	R PIXCSAP 630 355 355 0,7 mm Z140	630	355	454	85	0,70	
97877	R PIXCSAP 630 400 400 0,7 mm Z140	630	400	499	85	0,70	
97878	R PIXCSAP 630 450 450 0,7 mm Z140	630	450	549	85	0,70	
97879	R PIXCSAP 630 500 500 0,7 mm Z140	630	500	604	90	0,70	
97880	R PIXCSAP 630 560 560 0,7 mm Z140	630	560	664	90	0,70	
97881	R PIXCSAP 630 600 600 0,7 mm Z140	630	600	704	90	0,70	
97882	R PIXCSAP 710 250 250 0,7 mm Z140	710	250	331	70	0,70	
97883	R PIXCSAP 710 300 300 0,7 mm Z140	710	300	387	75	0,70	
97884	R PIXCSAP 710 315 315 0,7 mm Z140	710	315	402	75	0,70	
97885	R PIXCSAP 710 355 355 0,7 mm Z140	710	355	454	85	0,70	
97886	R PIXCSAP 710 400 400 0,7 mm Z140	710	400	499	85	0,70	
97887	R PIXCSAP 710 450 450 0,7 mm Z140	710	450	549	85	0,70	
97888	R PIXCSAP 710 500 500 0,7 mm Z140	710	500	604	90	0,70	
97889	R PIXCSAP 710 560 560 0,7 mm Z140	710	560	664	90	0,70	

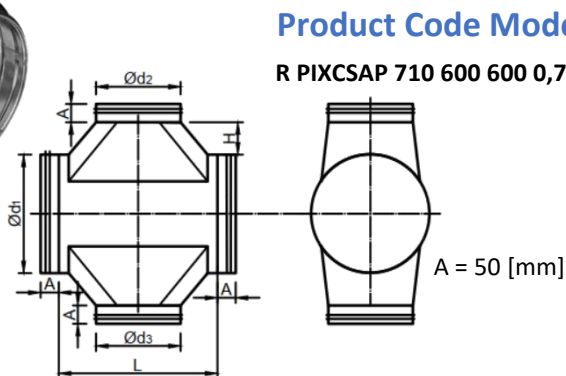
Note For the other sizes, please contact the commercial department.



SPIRAL® SYSTEM ROUND VENTILATION DUCTS AND FITTINGS

X-Piece Centric R PIXCSAP

Pieces type T; X; Y



Product Code Model

R PIXCSAP 710 600 600 0,7 mm Z140

Explanation:

R PIXCSAP Type

710 Diameter d1 [mm]

600 Diameter d2 [mm]

600 Diameter d3 [mm]

0,7 mm Thickness δ [mm]

Z140 Class

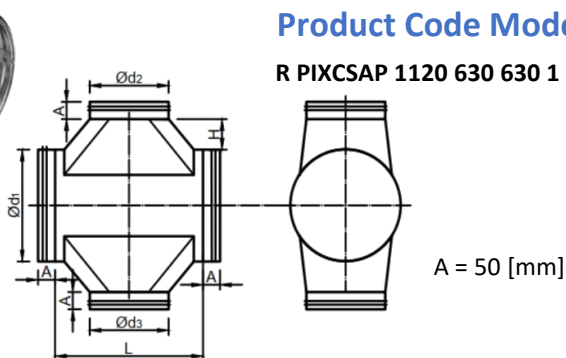
SKU	TYPE	Diameter d1 [mm]	Diameter d2/d3 [mm]	L [mm]	H [mm]	Thickness δ [mm]	
97890	R PIXCSAP 710 600 600 0,7 mm Z140	710	600	704	90	0,70	
97891	R PIXCSAP 710 630 630 0,7 mm Z140	710	630	734	90	0,70	
97892	R PIXCSAP 800 250 250 0,8 mm Z140	800	250	331	70	0,80	
97893	R PIXCSAP 800 300 300 0,8 mm Z140	800	300	387	75	0,80	
97894	R PIXCSAP 800 315 315 0,8 mm Z140	800	315	402	75	0,80	
97895	R PIXCSAP 800 355 355 0,8 mm Z140	800	355	454	85	0,80	
97896	R PIXCSAP 800 400 400 0,8 mm Z140	800	400	499	85	0,80	
97897	R PIXCSAP 800 450 450 0,8 mm Z140	800	450	549	85	0,80	
97898	R PIXCSAP 800 500 500 0,8 mm Z140	800	500	604	90	0,80	
97899	R PIXCSAP 800 560 560 0,8 mm Z140	800	560	664	90	0,80	
97900	R PIXCSAP 800 600 600 0,8 mm Z140	800	600	704	90	0,80	
97901	R PIXCSAP 800 630 630 0,8 mm Z140	800	630	734	90	0,80	
97902	R PIXCSAP 800 710 710 0,8 mm Z140	800	710	814	90	0,80	
97903	R PIXCSAP 900 315 315 0,8 mm Z140	900	315	402	75	0,80	
97904	R PIXCSAP 900 355 355 0,8 mm Z140	900	355	454	85	0,80	
97905	R PIXCSAP 900 400 400 0,8 mm Z140	900	400	499	85	0,80	
97906	R PIXCSAP 900 450 450 0,8 mm Z140	900	450	549	85	0,80	
97907	R PIXCSAP 900 500 500 0,8 mm Z140	900	500	604	90	0,80	
97908	R PIXCSAP 900 560 560 0,8 mm Z140	900	560	664	90	0,80	
97909	R PIXCSAP 900 600 600 0,8 mm Z140	900	600	704	90	0,80	
97910	R PIXCSAP 900 630 630 0,8 mm Z140	900	630	734	90	0,80	
97911	R PIXCSAP 900 710 710 0,8 mm Z140	900	710	814	90	0,80	
97912	R PIXCSAP 900 800 800 0,8 mm Z140	900	800	904	90	0,80	
97913	R PIXCSAP 1000 315 315 0,8 mm Z140	1000	315	402	75	0,80	
97914	R PIXCSAP 1000 400 400 0,8 mm Z140	1000	400	499	85	0,80	
97915	R PIXCSAP 1000 450 450 0,8 mm Z140	1000	450	549	85	0,80	
97916	R PIXCSAP 1000 500 500 0,8 mm Z140	1000	500	604	90	0,80	
97917	R PIXCSAP 1000 560 560 0,8 mm Z140	1000	560	664	90	0,80	
97918	R PIXCSAP 1000 600 600 0,8 mm Z140	1000	600	704	90	0,80	
97919	R PIXCSAP 1000 630 630 0,8 mm Z140	1000	630	734	90	0,80	
97920	R PIXCSAP 1000 710 710 0,8 mm Z140	1000	710	814	90	0,80	
97921	R PIXCSAP 1000 800 800 0,8 mm Z140	1000	800	904	90	0,80	
97922	R PIXCSAP 1000 900 900 0,8 mm Z140	1000	900	1004	90	0,80	
97923	R PIXCSAP 1120 500 500 1 mm Z140	1120	500	604	90	1,00	
97924	R PIXCSAP 1120 560 560 1 mm Z140	1120	560	664	90	1,00	
97925	R PIXCSAP 1120 600 600 1 mm Z140	1120	600	704	90	1,00	



SPIRAL® SYSTEM ROUND VENTILATION DUCTS AND FITTINGS

X-Piece Centric R PIXCSAP

Pieces type T; X; Y



Product Code Model

R PIXCSAP 1120 630 630 1 mm Z140

Explanation:

R PIXCSAP Type

1120 Diameter d1 [mm]

630 Diameter d2 [mm]

630 Diameter d3 [mm]

1 mm Thickness δ [mm]

Z140 Class

SKU	TYPE	Diameter d1 [mm]	Diameter d2/d3 [mm]	L [mm]	H [mm]	Thickness δ [mm]	
97926	R PIXCSAP 1120 630 630 1 mm Z140	1120	630	734	90	1,00	
97927	R PIXCSAP 1120 710 710 1 mm Z140	1120	710	814	90	1,00	
97928	R PIXCSAP 1120 800 800 1 mm Z140	1120	800	904	90	1,00	
97929	R PIXCSAP 1120 900 900 1 mm Z140	1120	900	1004	90	1,00	
97930	R PIXCSAP 1120 1000 1000 1 mm Z140	1120	1000	1104	90	1,00	
97931	R PIXCSAP 1250 500 500 1 mm Z140	1250	500	604	90	1,00	
97932	R PIXCSAP 1250 560 560 1 mm Z140	1250	560	664	90	1,00	
97933	R PIXCSAP 1250 600 600 1 mm Z140	1250	600	704	90	1,00	
97934	R PIXCSAP 1250 630 630 1 mm Z140	1250	630	734	90	1,00	
97935	R PIXCSAP 1250 710 710 1 mm Z140	1250	710	814	90	1,00	
97936	R PIXCSAP 1250 800 800 1 mm Z140	1250	800	904	90	1,00	
97937	R PIXCSAP 1250 900 900 1 mm Z140	1250	900	1004	90	1,00	
97938	R PIXCSAP 1250 1000 1000 1 mm Z140	1250	1000	1104	90	1,00	
97939	R PIXCSAP 1250 1120 1120 1 mm Z140	1250	1120	1224	90	1,00	

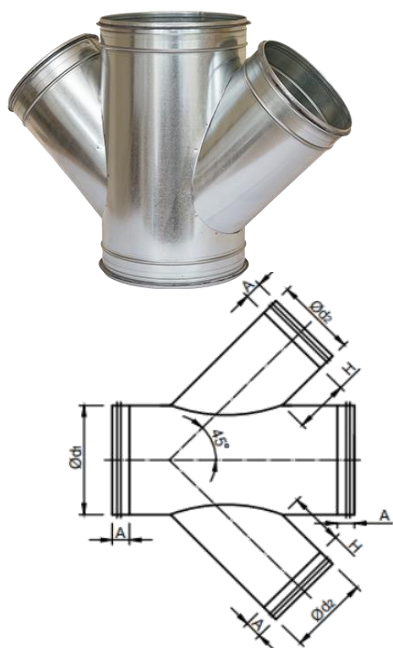
Note

For the other sizes, please contact the commercial department.

SPIRAL®SYSTEM ROUND VENTILATION DUCTS AND FITTINGS

Pieces type T; X; Y

X-Piece 45° R PIXC45



Description:

The X- Piece 45° branch piece is used in the ventilation systems for making branches in flexible as well as rigid ducting sections for the evacuation or introduction of air as evenly as possible.

Used Material:

Galvanized steel DX51, Class Z140.

Note:

The thickness of the galvanized sheet varies depending on the diameter.

Product Code Model

R PIXC45 125 125 125 0,5 mm Z140

Explanation:

R PIXC45 Type

125 Diameter d1 [mm]

125 Diameter d2 [mm]

125 Diameter d3 [mm]

0,5 mm Thickness δ [mm]

Z140 Class

A = 50 [mm]

SKU	TYPE	Diameter d1 [mm]	Diameter d2/d3 [mm]	L [mm]	H [mm]	Thickness δ [mm]	
98053	R PIXC45 125 125 125 0,5 mm Z140	125	125	250	29	0,50	
98054	R PIXC45 160 125 125 0,5 mm Z140	160	125	250	24	0,50	
98055	R PIXC45 160 160 160 0,5 mm Z140	160	160	300	27	0,50	
98056	R PIXC45 200 125 125 0,5 mm Z140	200	125	250	26	0,50	
98057	R PIXC45 200 160 160 0,5 mm Z140	200	160	300	29	0,50	
98058	R PIXC45 200 200 200 0,5 mm Z140	200	200	355	29	0,50	
98059	R PIXC45 250 125 125 0,5 mm Z140	250	125	250	31	0,50	
98060	R PIXC45 250 160 160 0,5 mm Z140	250	160	300	33	0,50	
98061	R PIXC45 250 200 200 0,5 mm Z140	250	200	355	33	0,50	
98062	R PIXC45 250 250 250 0,5 mm Z140	250	250	440	28	0,50	
98063	R PIXC45 300 125 125 0,6 mm Z140	300	125	250	25	0,60	
98064	R PIXC45 300 160 160 0,6 mm Z140	300	160	300	28	0,60	
98065	R PIXC45 300 200 200 0,6 mm Z140	300	200	355	28	0,60	
98066	R PIXC45 300 250 250 0,6 mm Z140	300	250	440	33	0,60	
98067	R PIXC45 300 300 300 0,6 mm Z140	300	300	510	28	0,60	
98068	R PIXC45 315 125 125 0,6 mm Z140	315	125	250	25	0,60	
98069	R PIXC45 315 160 160 0,6 mm Z140	315	160	300	27	0,60	
98070	R PIXC45 315 200 200 0,6 mm Z140	315	200	355	27	0,60	
98071	R PIXC45 315 250 250 0,6 mm Z140	315	250	440	32	0,60	
98072	R PIXC45 315 300 300 0,6 mm Z140	315	300	510	27	0,60	
98073	R PIXC45 315 315 315 0,6 mm Z140	315	315	530	30	0,60	
98074	R PIXC45 355 125 125 0,6 mm Z140	355	125	250	36	0,60	
98075	R PIXC45 355 160 160 0,6 mm Z140	355	160	300	29	0,60	
98076	R PIXC45 355 200 200 0,6 mm Z140	355	200	355	29	0,60	
98077	R PIXC45 355 250 250 0,6 mm Z140	355	250	440	24	0,60	
98078	R PIXC45 355 300 300 0,6 mm Z140	355	300	510	29	0,60	

Note

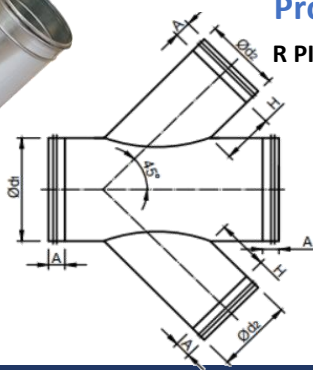
For the other sizes, please contact the commercial department.



SPIRAL® SYSTEM ROUND VENTILATION DUCTS AND FITTINGS

X-Piece 45° R PIXC45

Pieces type T; X; Y



Product Code Model

R PIXC45 355 315 315 0,6 mm Z140

A = 50 [mm]

Explanation:

- R PIXC45** Type
- 355** Diameter d1 [mm]
- 315** Diameter d2 [mm]
- 315** Diameter d3 [mm]
- 0,6 mm** Thickness δ [mm]
- Z140** Class

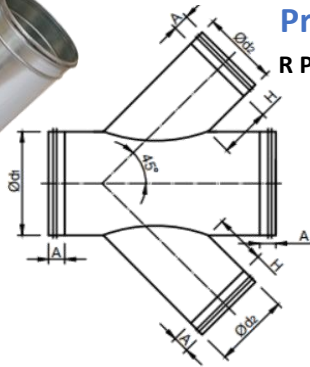
SKU	TYPE	Diameter d1 [mm]	Diameter d2/d3 [mm]	L [mm]	H [mm]	Thickness δ [mm]	
98079	R PIXC45 355 315 315 0,6 mm Z140	355	315	530	31	0,60	
98080	R PIXC45 355 355 355 0,6 mm Z140	355	355	585	31	0,60	
98081	R PIXC45 400 125 125 0,6 mm Z140	400	125	250	45	0,60	
98082	R PIXC45 400 160 160 0,6 mm Z140	400	160	300	27	0,60	
98083	R PIXC45 400 200 200 0,6 mm Z140	400	200	355	27	0,60	
98084	R PIXC45 400 250 250 0,6 mm Z140	400	250	440	32	0,60	
98085	R PIXC45 400 300 300 0,6 mm Z140	400	300	510	27	0,60	
98086	R PIXC45 400 315 315 0,6 mm Z140	400	315	530	30	0,60	
98087	R PIXC45 400 355 355 0,6 mm Z140	400	355	585	30	0,60	
98088	R PIXC45 400 400 400 0,6 mm Z140	400	400	650	27	0,60	
98089	R PIXC45 450 125 125 0,6 mm Z140	450	125	250	59	0,60	
98090	R PIXC45 450 160 160 0,6 mm Z140	450	160	300	42	0,60	
98091	R PIXC45 450 200 200 0,6 mm Z140	450	200	355	32	0,60	
98092	R PIXC45 450 250 250 0,6 mm Z140	450	250	440	27	0,60	
98093	R PIXC45 450 300 300 0,6 mm Z140	450	300	510	32	0,60	
98094	R PIXC45 450 315 315 0,6 mm Z140	450	315	530	24	0,60	
98095	R PIXC45 450 355 355 0,6 mm Z140	450	355	585	24	0,60	
98096	R PIXC45 450 400 400 0,6 mm Z140	450	400	650	32	0,60	
98097	R PIXC45 450 450 450 0,6 mm Z140	450	450	740	27	0,60	
98098	R PIXC45 500 125 125 0,7 mm Z140	500	125	250	64	0,70	
98099	R PIXC45 500 160 160 0,7 mm Z140	500	160	300	46	0,70	
98100	R PIXC45 500 200 200 0,7 mm Z140	500	200	355	26	0,70	
98101	R PIXC45 500 250 250 0,7 mm Z140	500	250	440	31	0,70	
98102	R PIXC45 500 300 300 0,7 mm Z140	500	300	510	26	0,70	
98103	R PIXC45 500 315 315 0,7 mm Z140	500	315	530	29	0,70	
98104	R PIXC45 500 355 355 0,7 mm Z140	500	355	585	29	0,70	
98105	R PIXC45 500 400 400 0,7 mm Z140	500	400	650	26	0,70	
98106	R PIXC45 500 450 450 0,7 mm Z140	500	450	740	31	0,70	
98107	R PIXC45 500 500 500 0,7 mm Z140	500	500	810	26	0,70	
98108	R PIXC45 560 160 160 0,7 mm Z140	560	160	300	64	0,70	
98109	R PIXC45 560 200 200 0,7 mm Z140	560	200	355	44	0,70	
98110	R PIXC45 560 250 250 0,7 mm Z140	560	250	440	29	0,70	
98111	R PIXC45 560 300 300 0,7 mm Z140	560	300	510	34	0,70	
98112	R PIXC45 560 315 315 0,7 mm Z140	560	315	530	27	0,70	
98113	R PIXC45 560 355 355 0,7 mm Z140	560	355	585	27	0,70	
98114	R PIXC45 560 400 400 0,7 mm Z140	560	400	650	34	0,70	



SPIRAL® SYSTEM ROUND VENTILATION DUCTS AND FITTINGS

X-Piece 45° R PIXC45

Pieces type T; X; Y



Product Code Model

R PIXC45 560 450 450 0,7 mm Z140

A = 50 [mm]

Explanation:

R PIXC45 Type

560 Diameter d1 [mm]

450 Diameter d2 [mm]

450 Diameter d3 [mm]

0,7 mm Thickness δ [mm]

Z140 Class

SKU	TYPE	Diameter d1 [mm]	Diameter d2/d3 [mm]	L [mm]	H [mm]	Thickness δ [mm]	
98115	R PIXC45 560 450 450 0,7 mm Z140	560	450	740	29	0,70	
98116	R PIXC45 560 500 500 0,7 mm Z140	560	500	810	34	0,70	
98117	R PIXC45 560 560 560 0,7 mm Z140	560	560	900	34	0,70	
98118	R PIXC45 600 250 250 0,7 mm Z140	600	250	440	31	0,70	
98119	R PIXC45 600 300 300 0,7 mm Z140	600	300	510	36	0,70	
98120	R PIXC45 600 315 315 0,7 mm Z140	600	315	530	28	0,70	
98121	R PIXC45 600 355 355 0,7 mm Z140	600	355	585	28	0,70	
98122	R PIXC45 600 400 400 0,7 mm Z140	600	400	650	36	0,70	
98123	R PIXC45 600 450 450 0,7 mm Z140	600	450	740	31	0,70	
98124	R PIXC45 600 500 500 0,7 mm Z140	600	500	810	36	0,70	
98125	R PIXC45 600 560 560 0,7 mm Z140	600	560	900	36	0,70	
98126	R PIXC45 600 600 600 0,7 mm Z140	600	600	960	36	0,70	
98127	R PIXC45 630 315 315 0,7 mm Z140	630	315	530	27	0,70	
98128	R PIXC45 630 355 355 0,7 mm Z140	630	355	585	27	0,70	
98129	R PIXC45 630 400 400 0,7 mm Z140	630	400	650	35	0,70	
98130	R PIXC45 630 450 450 0,7 mm Z140	630	450	740	30	0,70	
98131	R PIXC45 630 500 500 0,7 mm Z140	630	500	810	35	0,70	
98132	R PIXC45 630 560 560 0,7 mm Z140	630	560	900	35	0,70	
98133	R PIXC45 630 600 600 0,7 mm Z140	630	600	960	35	0,70	
98134	R PIXC45 630 630 630 0,7 mm Z140	630	630	1010	30	0,70	
98135	R PIXC45 710 315 315 0,7 mm Z140	710	315	530	30	0,70	
98136	R PIXC45 710 355 355 0,7 mm Z140	710	355	585	30	0,70	
98137	R PIXC45 710 400 400 0,7 mm Z140	710	400	650	38	0,70	
98138	R PIXC45 710 450 450 0,7 mm Z140	710	450	740	33	0,70	
98139	R PIXC45 710 500 500 0,7 mm Z140	710	500	810	38	0,70	
98140	R PIXC45 710 560 560 0,7 mm Z140	710	560	900	38	0,70	
98141	R PIXC45 710 600 600 0,7 mm Z140	710	600	960	38	0,70	
98142	R PIXC45 710 630 630 0,7 mm Z140	710	630	1010	33	0,70	
98143	R PIXC45 710 710 710 0,7 mm Z140	710	710	1130	33	0,70	
98144	R PIXC45 800 315 315 0,8 mm Z140	800	315	530	47	0,80	
98145	R PIXC45 800 355 355 0,8 mm Z140	800	355	585	47	0,80	
98146	R PIXC45 800 400 400 0,8 mm Z140	800	400	650	44	0,80	
98147	R PIXC45 800 450 450 0,8 mm Z140	800	450	740	49	0,80	
98148	R PIXC45 800 500 500 0,8 mm Z140	800	500	810	44	0,80	
98149	R PIXC45 800 560 560 0,8 mm Z140	800	560	900	44	0,80	
98150	R PIXC45 800 600 600 0,8 mm Z140	800	600	960	44	0,80	

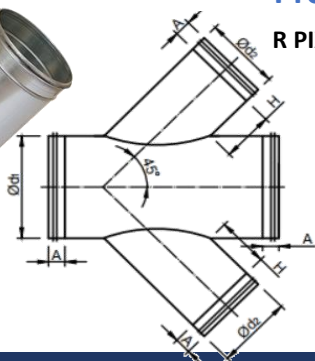
Note For the other sizes, please contact the commercial department.



SPIRAL® SYSTEM ROUND VENTILATION DUCTS AND FITTINGS

X-Piece 45° R PIXC45

Pieces type T; X; Y



Product Code Model

R PIXC45 800 630 630 0,8 mm Z140

A = 50 [mm]

Explanation:

- R PIXC45** Type
- 800** Diameter d1 [mm]
- 630** Diameter d2 [mm]
- 630** Diameter d3 [mm]
- 0,8 mm** Thickness δ [mm]
- Z140** Class

SKU	TYPE	Diameter d1 [mm]	Diameter d2/d3 [mm]	L [mm]	H [mm]	Thickness δ [mm]	
98151	R PIXC45 800 630 630 0,8 mm Z140	800	630	1010	49	0,80	
98152	R PIXC45 800 710 710 0,8 mm Z140	800	710	1130	49	0,80	
98153	R PIXC45 800 800 800 0,8 mm Z140	800	800	1270	44	0,80	
98154	R PIXC45 900 355 355 0,8 mm Z140	900	355	585	46	0,80	
98155	R PIXC45 900 400 400 0,8 mm Z140	900	400	650	54	0,80	
98156	R PIXC45 900 450 450 0,8 mm Z140	900	450	740	49	0,80	
98157	R PIXC45 900 500 500 0,8 mm Z140	900	500	810	54	0,80	
98158	R PIXC45 900 560 560 0,8 mm Z140	900	560	900	54	0,80	
98159	R PIXC45 900 600 600 0,8 mm Z140	900	600	960	54	0,80	
98160	R PIXC45 900 630 630 0,8 mm Z140	900	630	1010	49	0,80	
98161	R PIXC45 900 710 710 0,8 mm Z140	900	710	1130	49	0,80	
98162	R PIXC45 900 800 800 0,8 mm Z140	900	800	1270	54	0,80	
98163	R PIXC45 900 900 900 0,8 mm Z140	900	900	1430	54	0,80	
98164	R PIXC45 1000 400 400 0,8 mm Z140	1000	400	650	53	0,80	
98165	R PIXC45 1000 450 450 0,8 mm Z140	1000	450	740	48	0,80	
98166	R PIXC45 1000 500 500 0,8 mm Z140	1000	500	810	53	0,80	
98167	R PIXC45 1000 560 560 0,8 mm Z140	1000	560	900	53	0,80	
98168	R PIXC45 1000 600 600 0,8 mm Z140	1000	600	960	53	0,80	
98169	R PIXC45 1000 630 630 0,8 mm Z140	1000	630	1010	48	0,80	
98170	R PIXC45 1000 710 710 0,8 mm Z140	1000	710	1130	48	0,80	
98171	R PIXC45 1000 800 800 0,8 mm Z140	1000	800	1270	53	0,80	
98172	R PIXC45 1000 900 900 0,8 mm Z140	1000	900	1430	53	0,80	
98173	R PIXC45 1000 1000 1000 0,8 mm Z140	1000	1000	1590	53	0,80	
98174	R PIXC45 1120 500 500 1 mm Z140	1120	500	810	48	1,00	
98175	R PIXC45 1120 560 560 1 mm Z140	1120	560	900	48	1,00	
98176	R PIXC45 1120 600 600 1 mm Z140	1120	600	960	48	1,00	
98177	R PIXC45 1120 630 630 1 mm Z140	1120	630	1010	53	1,00	
98178	R PIXC45 1120 710 710 1 mm Z140	1120	710	1130	53	1,00	
98179	R PIXC45 1120 800 800 1 mm Z140	1120	800	1270	48	1,00	
98180	R PIXC45 1120 900 900 1 mm Z140	1120	900	1430	48	1,00	
98181	R PIXC45 1120 1000 1000 1 mm Z140	1120	1000	1590	48	1,00	
98182	R PIXC45 1120 1120 1120 1 mm Z140	1120	1120	1750	48	1,00	
98183	R PIXC45 1250 500 500 1 mm Z140	1250	500	810	56	1,00	
98184	R PIXC45 1250 560 560 1 mm Z140	1250	560	900	56	1,00	
98185	R PIXC45 1250 600 600 1 mm Z140	1250	600	960	56	1,00	
98186	R PIXC45 1250 630 630 1 mm Z140	1250	630	1010	51	1,00	



SPIRAL® SYSTEM ROUND VENTILATION DUCTS AND FITTINGS

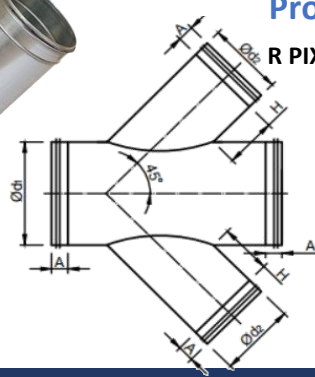
X-Piece 45° R PIXC45

Pieces type T; X; Y



Product Code Model

R PIXC45 1250 710 710 1 mm Z140



A = 50 [mm]

Explanation:

- R PIXC45** Type
- 1250** Diameter d1 [mm]
- 710** Diameter d2 [mm]
- 710** Diameter d3 [mm]
- 1 mm** Thickness δ [mm]
- Z140** Class

SKU	TYPE	Diameter d1 [mm]	Diameter d2/d3 [mm]	L [mm]	H [mm]	Thickness δ [mm]	
98187	R PIXC45 1250 710 710 1 mm Z140	1250	710	1130	51	1,00	
98188	R PIXC45 1250 800 800 1 mm Z140	1250	800	1270	56	1,00	
98189	R PIXC45 1250 900 900 1 mm Z140	1250	900	1430	56	1,00	
98190	R PIXC45 1250 1000 1000 1 mm Z140	1250	1000	1590	56	1,00	
98191	R PIXC45 1250 1120 1120 1 mm Z140	1250	1120	1750	46	1,00	
98192	R PIXC45 1250 1250 1250 1 mm Z140	1250	1250	1940	51	1,00	

Note

For the other sizes, please contact the commercial department.

SPIRAL®SYSTEM ROUND VENTILATION DUCTS AND FITTINGS

Pieces type T; X; Y

Y-Piece 45° R PIYC45



Description:

The Y- Piece part is used in the ventilation systems for making bifurcations in flexible as well as rigid ductwork sections for the evacuation or introduction of air as evenly as possible.

Used Material:

Galvanized steel DX51, Class Z140.

Note:

The thickness of the galvanized sheet varies depending on the diameter.

Product Code Model

R PIYC45 125 80 80 0,5 mm Z140

Explanation:

R PIYC45 Type

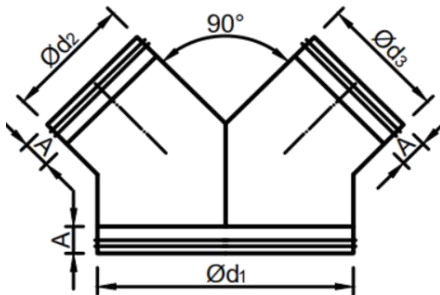
125 Diameter d1 [mm]

80 Diameter d2 [mm]

80 Diameter d3 [mm]

0,5 mm Thickness δ [mm]

Z140 Class



SKU	TYPE	Diameter d1 [mm]	Diameter d2/d3 [mm]	A [mm]	Thickness δ [mm]
114468	R PIYC45 125 80 80 0,5 mm Z140	125	80	50	0,50
114469	R PIYC45 125 100 100 0,5 mm Z140	125	100	50	0,50
98314	R PIYC45 125 125 125 0,5 mm Z140	125	125	50	0,50
114470	R PIYC45 160 80 80 0,5 mm Z140	160	80	50	0,50
114471	R PIYC45 160 100 100 0,5 mm Z140	160	100	50	0,50
98315	R PIYC45 160 125 125 0,5 mm Z140	160	125	50	0,50
98316	R PIYC45 160 160 160 0,5 mm Z140	160	160	50	0,50
114472	R PIYC45 200 80 80 0,5 mm Z140	200	80	50	0,50
114473	R PIYC45 200 100 100 0,5 mm Z140	200	100	50	0,50
98317	R PIYC45 200 125 125 0,5 mm Z140	200	125	50	0,50
98318	R PIYC45 200 160 160 0,5 mm Z140	200	160	50	0,50
98319	R PIYC45 200 200 200 0,5 mm Z140	200	200	50	0,50
98320	R PIYC45 250 125 125 0,5 mm Z140	250	125	50	0,50
98321	R PIYC45 250 160 160 0,5 mm Z140	250	160	50	0,50
98322	R PIYC45 250 200 200 0,5 mm Z140	250	200	50	0,50
98323	R PIYC45 250 250 250 0,5 mm Z140	250	250	50	0,50
98324	R PIYC45 300 125 125 0,6 mm Z140	300	125	50	0,60
98325	R PIYC45 300 160 160 0,6 mm Z140	300	160	50	0,60
98326	R PIYC45 300 200 200 0,6 mm Z140	300	200	50	0,60
98327	R PIYC45 300 250 250 0,6 mm Z140	300	250	50	0,60
98328	R PIYC45 300 300 300 0,6 mm Z140	300	300	50	0,60
98329	R PIYC45 315 160 160 0,6 mm Z140	315	160	50	0,60
98330	R PIYC45 315 200 200 0,6 mm Z140	315	200	50	0,60
98331	R PIYC45 315 250 250 0,6 mm Z140	315	250	50	0,60
98332	R PIYC45 315 300 300 0,6 mm Z140	315	300	50	0,60
98333	R PIYC45 315 315 315 0,6 mm Z140	315	315,00	50	0,60

Note

For the other sizes, please contact the commercial department.



SPIRAL® SYSTEM ROUND VENTILATION DUCTS AND FITTINGS

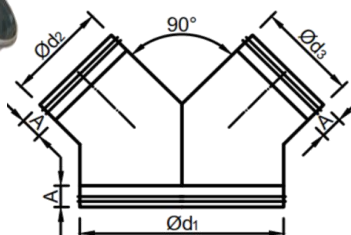
Pieces type T; X; Y

Y-Piece 45° R PIYC45



Product Code Model

R PIYC45 355 160 160 0,6 mm Z140



Explanation:

R PIYC45 Type

355 Diameter d1 [mm]

160 Diameter d2 [mm]

160 Diameter d3 [mm]

0,6 mm Thickness δ [mm]

Z140 Class

SKU	TYPE	Diameter d1 [mm]	Diameter d2/d3 [mm]	A [mm]	Thickness δ [mm]
98334	R PIYC45 355 160 160 0,6 mm Z140	355	160	50	0,60
98335	R PIYC45 355 200 200 0,6 mm Z140	355	200	50	0,60
98336	R PIYC45 355 250 250 0,6 mm Z140	355	250	50	0,60
98337	R PIYC45 355 300 300 0,6 mm Z140	355	300	50	0,60
98338	R PIYC45 355 315 315 0,6 mm Z140	355	315	50	0,60
98339	R PIYC45 355 355 355 0,6 mm Z140	355	355	50	0,60
98340	R PIYC45 400 160 160 0,6 mm Z140	400	160	50	0,60
98341	R PIYC45 400 200 200 0,6 mm Z140	400	200	50	0,60
98342	R PIYC45 400 250 250 0,6 mm Z140	400	250	50	0,60
98343	R PIYC45 400 300 300 0,6 mm Z140	400	300	50	0,60
98344	R PIYC45 400 315 315 0,6 mm Z140	400	315	50	0,60
98345	R PIYC45 400 355 355 0,6 mm Z140	400	355	50	0,60
98346	R PIYC45 400 400 400 0,6 mm Z140	400	400	50	0,60
98347	R PIYC45 450 200 200 0,6 mm Z140	450	200	50	0,60
98348	R PIYC45 450 250 250 0,6 mm Z140	450	250	50	0,60
98349	R PIYC45 450 300 300 0,6 mm Z140	450	300	50	0,60
98350	R PIYC45 450 315 315 0,6 mm Z140	450	315	50	0,60
98351	R PIYC45 450 355 355 0,6 mm Z140	450	355	50	0,60
98352	R PIYC45 450 400 400 0,6 mm Z140	450	400	50	0,60
98353	R PIYC45 450 450 450 0,6 mm Z140	450	450	50	0,60
98354	R PIYC45 500 200 200 0,6 mm Z140	500	200	50	0,60
98355	R PIYC45 500 250 250 0,6 mm Z140	500	250	50	0,60
98356	R PIYC45 500 300 300 0,6 mm Z140	500	300	50	0,60
98357	R PIYC45 500 315 315 0,6 mm Z140	500	315	50	0,60
98358	R PIYC45 500 355 355 0,6 mm Z140	500	355	50	0,60
98359	R PIYC45 500 400 400 0,6 mm Z140	500	400	50	0,60
98360	R PIYC45 500 450 450 0,6 mm Z140	500	450	50	0,60
98361	R PIYC45 500 500 500 0,6 mm Z140	500	500	50	0,60
98362	R PIYC45 560 250 250 0,6 mm Z140	560	250	50	0,60
98363	R PIYC45 560 300 300 0,6 mm Z140	560	300	50	0,60
98364	R PIYC45 560 315 315 0,6 mm Z140	560	315	50	0,60
98365	R PIYC45 560 355 355 0,6 mm Z140	560	355	50	0,60
98366	R PIYC45 560 400 400 0,6 mm Z140	560	400	50	0,60
98367	R PIYC45 560 450 450 0,6 mm Z140	560	450	50	0,60
98368	R PIYC45 560 500 500 0,6 mm Z140	560	500	50	0,60
98369	R PIYC45 560 560 560 0,6 mm Z140	560	560	50	0,60

Note For the other sizes, please contact the commercial department.

SPIRAL® SYSTEM ROUND VENTILATION DUCTS AND FITTINGS

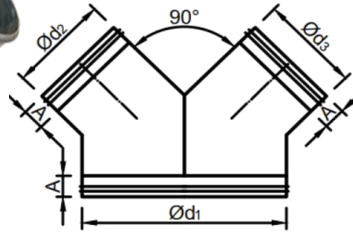
Pieces type T; X; Y

Y-Piece 45° R PIYC45



Product Code Model

R PIYC45 600 315 315 0,6 mm Z140



Explanation:

R PIYC45 Type

600 Diameter d1 [mm]

315 Diameter d2 [mm]

315 Diameter d3 [mm]

0,6 mm Thickness δ [mm]

Z140 Class

SKU	TYPE	Diameter d1 [mm]	Diameter d2/d3 [mm]	A [mm]	Thickness δ [mm]
98370	R PIYC45 600 315 315 0,6 mm Z140	600	315	50	0,60
98371	R PIYC45 600 355 355 0,6 mm Z140	600	355	50	0,60
98372	R PIYC45 600 400 400 0,6 mm Z140	600	400	50	0,60
98373	R PIYC45 600 450 450 0,6 mm Z140	600	450	50	0,60
98374	R PIYC45 600 500 500 0,6 mm Z140	600	500	50	0,60
98375	R PIYC45 600 560 560 0,6 mm Z140	600	560	50	0,60
98376	R PIYC45 600 600 600 0,6 mm Z140	600	600	50	0,60
98377	R PIYC45 630 315 315 0,7 mm Z140	630	315	50	0,70
98378	R PIYC45 630 355 355 0,7 mm Z140	630	355	50	0,70
98379	R PIYC45 630 400 400 0,7 mm Z140	630	400	51	0,70
98380	R PIYC45 630 450 450 0,7 mm Z140	630	450	52	0,70
98381	R PIYC45 630 500 500 0,7 mm Z140	630	500	53	0,70
98382	R PIYC45 630 560 560 0,7 mm Z140	630	560	54	0,70
98383	R PIYC45 630 600 600 0,7 mm Z140	630	600	55	0,70
98384	R PIYC45 630 630 630 0,7 mm Z140	630	630	56	0,70

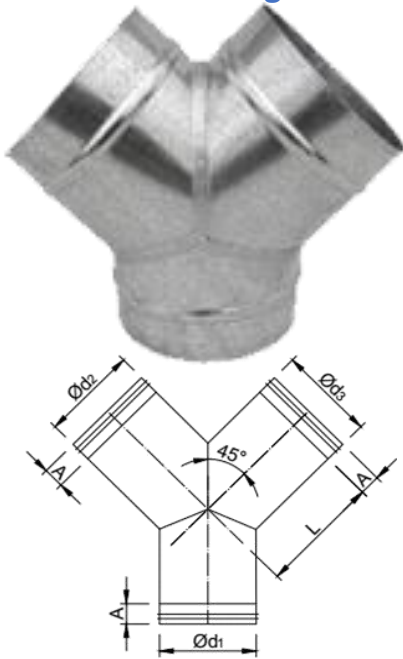
Note

For the other sizes, please contact the commercial department.

SPIRAL®SYSTEM ROUND VENTILATION DUCTS AND FITTINGS

Pieces type T; X; Y

Long Y-Piece 45° R PIYLC45



Description:

The Long Y- Piece is used in the ventilation systems for making bifurcations in flexible as well as rigid ductwork sections for the evacuation or introduction of air as evenly as possible.

Used Material:

Galvanized steel DX51, Class Z140.

Note:

The thickness of the galvanized sheet varies depending on the diameter.

Product Code Model

R PIYLC45 125 125 125 0,5 mm Z140

Explanation:

R PIYLC45 Type

125 Diameter d1 [mm]

125 Diameter d2 [mm]

125 Diameter d3 [mm]

0,5 mm Thickness δ [mm]

Z140 Class

SKU	TYPE	Diameter d1 [mm]	Diameter d2/d3 [mm]	L [mm]	A [mm]	Thickness δ [mm]
98456	R PIYLC45 125 125 125 0,5 mm Z140	125	125	143	50	0,50
98457	R PIYLC45 160 160 160 0,5 mm Z140	160	160	160	50	0,50
98458	R PIYLC45 200 160 160 0,5 mm Z140	200	160	160	50	0,50
98459	R PIYLC45 200 200 200 0,5 mm Z140	200	200	180	50	0,50
98460	R PIYLC45 250 200 200 0,5 mm Z140	250	200	180	50	0,50
98461	R PIYLC45 250 250 250 0,5 mm Z140	250	250	205	50	0,50
98462	R PIYLC45 300 250 250 0,6 mm Z140	300	250	205	50	0,60
98463	R PIYLC45 300 300 300 0,6 mm Z140	300	300	230	50	0,60
98464	R PIYLC45 315 250 250 0,6 mm Z140	315	250	210	50	0,60
98465	R PIYLC45 315 300 300 0,6 mm Z140	315	300	230	50	0,60
98466	R PIYLC45 315 315 315 0,6 mm Z140	315	315	238	50	0,60
98467	R PIYLC45 355 300 300 0,6 mm Z140	355	300	230	50	0,60
98468	R PIYLC45 355 315 315 0,6 mm Z140	355	315	240	50	0,60
98469	R PIYLC45 355 355 355 0,6 mm Z140	355	355	258	50	0,60
98470	R PIYLC45 400 300 300 0,6 mm Z140	400	300	250	50	0,60
98471	R PIYLC45 400 315 315 0,6 mm Z140	400	315	250	50	0,60
98472	R PIYLC45 400 355 355 0,6 mm Z140	400	355	260	50	0,60
98473	R PIYLC45 400 400 400 0,6 mm Z140	400	400	280	50	0,60
98474	R PIYLC45 450 355 355 0,6 mm Z140	450	355	280	50	0,60
98475	R PIYLC45 450 400 400 0,6 mm Z140	450	400	280	50	0,60
98476	R PIYLC45 450 450 450 0,6 mm Z140	450	450	305	50	0,60
98477	R PIYLC45 500 355 355 0,6 mm Z140	500	355	310	50	0,60
98478	R PIYLC45 500 400 400 0,6 mm Z140	500	400	310	50	0,60
98479	R PIYLC45 500 450 450 0,6 mm Z140	500	450	310	50	0,60
98480	R PIYLC45 500 500 500 0,6 mm Z140	500	500	330	50	0,60
98481	R PIYLC45 560 400 400 0,6 mm Z140	560	400	350	50	0,60

Note

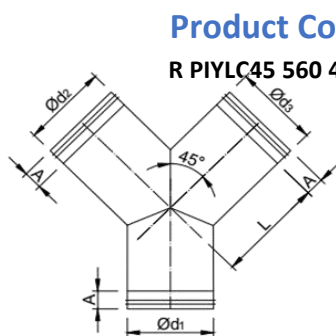
For the other sizes, please contact the commercial department.



SPIRAL® SYSTEM ROUND VENTILATION DUCTS AND FITTINGS

Pieces type T; X; Y

Long Y-Piece 45° R PIYLC45



Product Code Model

R PIYLC45 560 450 450 0,6 mm Z140

Explanation:

R PIYLC45 Type

560 Diameter d1 [mm]

450 Diameter d2 [mm]

450 Diameter d3 [mm]

0,6 mm Thickness δ [mm]

Z140 Class

SKU	TYPE	Diameter d1 [mm]	Diameter d2/d3 [mm]	L [mm]	A [mm]	Thickness δ [mm]	
98482	R PIYLC45 560 450 450 0,6 mm Z140	560	450	350	50	0,60	
98483	R PIYLC45 560 500 500 0,6 mm Z140	560	500	350	50	0,60	
98484	R PIYLC45 560 560 560 0,6 mm Z140	560	560	360	50	0,60	
98485	R PIYLC45 600 450 450 0,6 mm Z140	600	450	370	50	0,60	
98486	R PIYLC45 600 500 500 0,6 mm Z140	600	500	370	50	0,60	
98487	R PIYLC45 600 560 560 0,6 mm Z140	600	560	370	50	0,60	
98488	R PIYLC45 600 600 600 0,6 mm Z140	600	600	380	50	0,60	
98489	R PIYLC45 630 450 450 0,7 mm Z140	630	450	400	50	0,70	
98490	R PIYLC45 630 500 500 0,7 mm Z140	630	500	400	50	0,70	
98491	R PIYLC45 630 560 560 0,7 mm Z140	630	560	400	50	0,70	
98492	R PIYLC45 630 600 600 0,7 mm Z140	630	600	400	50	0,70	
98493	R PIYLC45 630 630 630 0,7 mm Z140	630	630	400	50	0,70	
98494	R PIYLC45 710 560 560 0,7 mm Z140	710	560	450	50	0,70	
98495	R PIYLC45 710 600 600 0,7 mm Z140	710	600	450	50	0,70	
98496	R PIYLC45 710 630 630 0,7 mm Z140	710	630	450	50	0,70	
98497	R PIYLC45 710 710 710 0,7 mm Z140	710	710	450	50	0,70	
98498	R PIYLC45 800 600 600 0,7 mm Z140	800	600	500	50	0,70	
98499	R PIYLC45 800 630 630 0,7 mm Z140	800	630	500	50	0,70	
98500	R PIYLC45 800 710 710 0,7 mm Z140	800	710	500	50	0,70	
98501	R PIYLC45 800 800 800 0,7 mm Z140	800	800	500	50	0,70	
98502	R PIYLC45 900 710 710 0,8 mm Z140	900	710	550	50	0,80	
98503	R PIYLC45 900 800 800 0,8 mm Z140	900	800	550	50	0,80	
98504	R PIYLC45 900 900 900 0,8 mm Z140	900	900	550	50	0,80	
98505	R PIYLC45 1000 710 710 0,8 mm Z140	1000	710	600	50	0,80	
98506	R PIYLC45 1000 800 800 0,8 mm Z140	1000	800	600	50	0,80	
98507	R PIYLC45 1000 900 900 0,8 mm Z140	1000	900	600	50	0,80	
98508	R PIYLC45 1120 800 800 1 mm Z140	1120	800	650	50	1,00	
98509	R PIYLC45 1120 900 900 1 mm Z140	1120	900	650	50	1,00	
98510	R PIYLC45 1250 900 900 1 mm Z140	1250	900	700	50	1,00	

Note

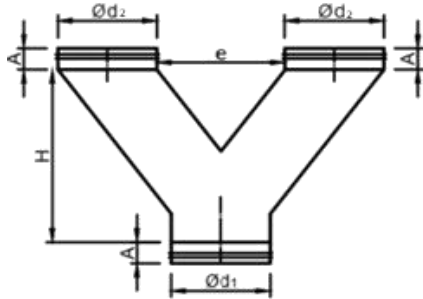
For the other sizes, please contact the commercial department.



SPIRAL® SYSTEM ROUND VENTILATION DUCTS AND FITTINGS

Pieces type T; X; Y

Y-Piece R PIPC



Description:

The Y-piece is used in ventilation systems for making bifurcations in flexible as well as rigid ductwork sections for the evacuation or introduction of air as evenly as possible.

Used Material:

Galvanized steel DX51, Class Z140.

Note:

The thickness of the galvanized sheet varies depending on the diameter.

Product Code Model

R PIPC 125 125 0,5 mm Z140

Explanation:

R PIPC Type

125 Diameter d1 [mm]

125 Diameter d2 [mm]

0,5 mm Thickness δ [mm]

Z140 Class

SKU	TYPE	Diameter d1 [mm]	Diameter d2 [mm]	A [mm]	H [mm]	e [mm]	Thickness δ [mm]	
98563	R PIPC 125 125 0,5 mm Z140	125	125	50	220	150	0,50	
114474	R PIPC 160 80 0,5 mm Z140	160	80	50	220	150	0,50	
114475	R PIPC 160 100 0,5 mm Z140	160	100	50	220	150	0,50	
98564	R PIPC 160 125 0,5 mm Z140	160	125	50	220	180	0,50	
98565	R PIPC 160 160 0,5 mm Z140	160	160	50	260	180	0,50	
114476	R PIPC 200 80 0,5 mm Z140	200	80	50	210	150	0,50	
114477	R PIPC 200 100 0,5 mm Z140	200	100	50	210	150	0,50	
98566	R PIPC 200 125 0,5 mm Z140	200	125	50	210	200	0,50	
98567	R PIPC 200 160 0,5 mm Z140	200	160	50	260	200	0,50	
98568	R PIPC 200 200 0,5 mm Z140	200	200	50	310	200	0,50	
114478	R PIPC 250 80 0,5 mm Z140	250	80	50	220	260	0,50	
114479	R PIPC 250 100 0,5 mm Z140	250	100	50	220	260	0,50	
98569	R PIPC 250 125 0,5 mm Z140	250	125	50	220	260	0,50	
98570	R PIPC 250 160 0,5 mm Z140	250	160	50	280	260	0,50	
98571	R PIPC 250 200 0,5 mm Z140	250	200	50	350	260	0,50	
98572	R PIPC 250 250 0,5 mm Z140	250	250	50	400	260	0,50	
98573	R PIPC 300 125 0,6 mm Z140	300	125	50	210	280	0,60	
98574	R PIPC 300 160 0,6 mm Z140	300	160	50	270	280	0,60	
98575	R PIPC 300 200 0,6 mm Z140	300	200	50	340	280	0,60	
98576	R PIPC 300 250 0,6 mm Z140	300	250	50	420	280	0,60	
98577	R PIPC 300 300 0,6 mm Z140	300	300	50	480	280	0,60	
98578	R PIPC 315 160 0,6 mm Z140	315	160	50	270	310	0,60	
98579	R PIPC 315 200 0,6 mm Z140	315	200	50	340	310	0,60	
98580	R PIPC 315 250 0,6 mm Z140	315	250	50	420	310	0,60	
98581	R PIPC 315 300 0,6 mm Z140	315	300	50	480	310	0,60	
98582	R PIPC 315 315 0,6 mm Z140	315	315	50	500	310	0,60	

Note

For the other sizes, please contact the commercial department.

SPIRAL®SYSTEM ROUND VENTILATION DUCTS AND FITTINGS

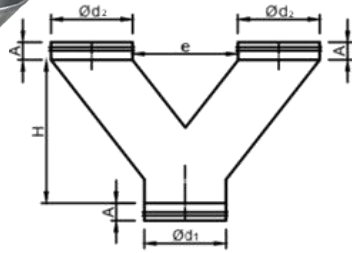
Pieces type T; X; Y

Y-Piece R PIPC



Product Code Model

R PIPC 355 160 0,6 mm Z140



Explanation:

R PIPC Type

355 Diameter d1 [mm]

160 Diameter d2 [mm]

0,6 mm Thickness δ [mm]

Z140 Class

SKU	TYPE	Diameter d1 [mm]	Diameter d2 [mm]	A [mm]	H [mm]	e [mm]	Thickness δ [mm]	
98583	R PIPC 355 160 0,6 mm Z140	355	160	50	270	350	0,60	
98584	R PIPC 355 200 0,6 mm Z140	355	200	50	340	350	0,60	
98585	R PIPC 355 250 0,6 mm Z140	355	250	50	420	350	0,60	
98586	R PIPC 355 300 0,6 mm Z140	355	300	50	500	350	0,60	
98587	R PIPC 355 315 0,6 mm Z140	355	315	50	500	350	0,60	
98588	R PIPC 355 355 0,6 mm Z140	355	355	50	550	350	0,60	
98589	R PIPC 400 160 0,6 mm Z140	400	160	50	280	450	0,60	
98590	R PIPC 400 200 0,6 mm Z140	400	200	50	380	450	0,60	
98591	R PIPC 400 250 0,6 mm Z140	400	250	50	470	450	0,60	
98592	R PIPC 400 300 0,6 mm Z140	400	300	50	550	450	0,60	
98593	R PIPC 400 315 0,6 mm Z140	400	315	50	560	450	0,60	
98594	R PIPC 400 355 0,6 mm Z140	400	355	50	650	450	0,60	
98595	R PIPC 400 400 0,6 mm Z140	400	400	50	700	450	0,60	
98596	R PIPC 450 200 0,6 mm Z140	450	200	50	430	550	0,60	
98597	R PIPC 450 250 0,6 mm Z140	450	250	50	510	550	0,60	
98598	R PIPC 450 300 0,6 mm Z140	450	300	50	600	550	0,60	
98599	R PIPC 450 315 0,6 mm Z140	450	315	50	630	550	0,60	
98600	R PIPC 450 355 0,6 mm Z140	450	355	50	700	550	0,60	
98601	R PIPC 450 400 0,6 mm Z140	450	400	50	770	550	0,60	
98602	R PIPC 450 450 0,6 mm Z140	450	450	50	860	550	0,60	
98603	R PIPC 500 200 0,7 mm Z140	500	200	50	470	650	0,70	
98604	R PIPC 500 250 0,7 mm Z140	500	250	50	560	650	0,70	
98605	R PIPC 500 300 0,7 mm Z140	500	300	50	640	650	0,70	
98606	R PIPC 500 315 0,7 mm Z140	500	315	50	670	650	0,70	
98607	R PIPC 500 355 0,7 mm Z140	500	355	50	740	650	0,70	
98608	R PIPC 500 400 0,7 mm Z140	500	400	50	820	650	0,70	
98609	R PIPC 500 450 0,7 mm Z140	500	450	50	900	650	0,70	
98610	R PIPC 500 500 0,7 mm Z140	500	500	50	990	650	0,70	
98611	R PIPC 560 250 0,7 mm Z140	560	250	50	590	750	0,70	
98612	R PIPC 560 300 0,7 mm Z140	560	300	50	680	750	0,70	
98613	R PIPC 560 315 0,7 mm Z140	560	315	50	700	750	0,70	
98614	R PIPC 560 355 0,7 mm Z140	560	355	50	770	750	0,70	
98615	R PIPC 560 400 0,7 mm Z140	560	400	50	850	750	0,70	
98616	R PIPC 560 450 0,7 mm Z140	560	450	50	940	750	0,70	
98617	R PIPC 560 500 0,7 mm Z140	560	500	50	1030	750	0,70	
98618	R PIPC 560 560 0,7 mm Z140	560	560	50	1130	750	0,70	



SPIRAL®SYSTEM ROUND VENTILATION DUCTS AND FITTINGS

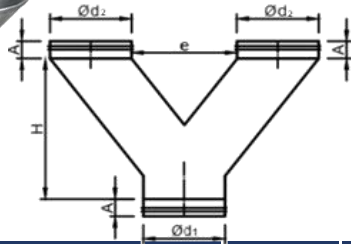
Pieces type T; X; Y

Y-Piece R PIPC



Product Code Model

R PIPC 600 315 0,7 mm Z140



Explanation:

R PIPC Type

600 Diameter d1 [mm]

315 Diameter d2 [mm]

0,7 mm Thickness δ [mm]

Z140 Class

SKU	TYPE	Diameter d1 [mm]	Diameter d2 [mm]	A [mm]	H [mm]	e [mm]	Thickness δ [mm]	
98619	R PIPC 600 315 0,7 mm Z140	600	315	50	760	850	0,70	
98620	R PIPC 600 355 0,7 mm Z140	600	355	50	830	850	0,70	
98621	R PIPC 600 400 0,7 mm Z140	600	400	50	900	850	0,70	
98622	R PIPC 600 450 0,7 mm Z140	600	450	50	990	850	0,70	
98623	R PIPC 600 500 0,7 mm Z140	600	500	50	1080	850	0,70	
98624	R PIPC 600 560 0,7 mm Z140	600	560	50	1180	850	0,70	
98625	R PIPC 600 600 0,7 mm Z140	600	600	50	1250	850	0,70	
98626	R PIPC 630 315 0,7 mm Z140	630	315	50	770	900	0,70	
98627	R PIPC 630 355 0,7 mm Z140	630	355	50	840	900	0,70	
98628	R PIPC 630 400 0,7 mm Z140	630	400	50	920	900	0,70	
98629	R PIPC 630 450 0,7 mm Z140	630	450	50	1010	900	0,70	
98630	R PIPC 630 500 0,7 mm Z140	630	500	50	1090	900	0,70	
98631	R PIPC 630 560 0,7 mm Z140	630	560	50	1200	900	0,70	
98632	R PIPC 630 600 0,7 mm Z140	630	600	50	1270	900	0,70	
98633	R PIPC 630 630 0,7 mm Z140	630	630	50	1320	900	0,70	

Note

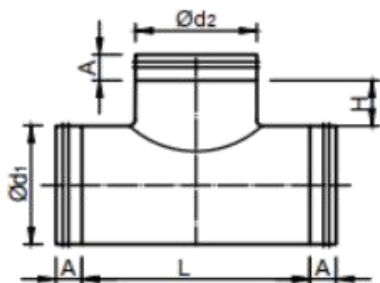
For the other sizes, please contact the commercial department.



SPIRAL® SYSTEM ROUND VENTILATION DUCTS AND FITTINGS

Pieces type T; X; Y

T-piece 90° R TEC90



Description:

The T- piece is used for making 90° branching in both the insertion and exhaust systems.

Used Material:

Galvanized steel DX51, Class Z140.

Note:

The thickness of the galvanized sheet varies depending on the diameter.

Product Code Model

R TEC90 125 80 0,5 mm Z140

Explanation:

R TEC90 Type

125 Diameter d1 [mm]

80 Diameter d2 [mm]

0,5 mm Thickness δ [mm]

Z140 Class

SKU	TYPE	Diameter d1 [mm]	Diameter d2 [mm]	L [mm]	H [mm]	A [mm]	Thickness δ [mm]	
114480	R TEC90 125 80 0,5 mm Z140	125	80	140	30	50	0,60	
114481	R TEC90 125 100 0,5 mm Z140	125	100	160	30	50	0,60	
98705	R TEC90 125 125 0,5 mm Z140	125	125	185	30	50	0,60	
114482	R TEC90 160 80 0,5 mm Z140	160	80	140	30	50	0,60	
114483	R TEC90 160 100 0,5 mm Z140	160	100	160	30	50	0,60	
98706	R TEC90 160 125 0,5 mm Z140	160	125	185	30	50	0,60	
98707	R TEC90 160 160 0,5 mm Z140	160	160	220	30	50	0,60	
114484	R TEC90 200 80 0,5 mm Z140	200	80	140	30	50	0,60	
114485	R TEC90 200 100 0,5 mm Z140	200	100	160	30	50	0,60	
98708	R TEC90 200 125 0,5 mm Z140	200	125	185	30	50	0,60	
98709	R TEC90 200 160 0,5 mm Z140	200	160	220	30	50	0,60	
98710	R TEC90 200 200 0,5 mm Z140	200	200	260	30	50	0,60	
114486	R TEC90 250 80 0,5 mm Z140	250	80	140	30	50	0,60	
114487	R TEC90 250 100 0,5 mm Z140	250	100	160	30	50	0,60	
98711	R TEC90 250 125 0,5 mm Z140	250	125	185	30	50	0,60	
98712	R TEC90 250 160 0,5 mm Z140	250	160	220	30	50	0,60	
98713	R TEC90 250 200 0,5 mm Z140	250	200	260	30	50	0,60	
98714	R TEC90 250 250 0,5 mm Z140	250	250	310	30	50	0,60	
114488	R TEC90 300 80 0,6 mm Z140	300	80	140	30	50	0,60	
114489	R TEC90 300 100 0,6 mm Z140	300	100	160	30	50	0,60	
98715	R TEC90 300 125 0,6 mm Z140	300	125	185	30	50	0,60	
98716	R TEC90 300 160 0,6 mm Z140	300	160	220	30	50	0,60	
98717	R TEC90 300 200 0,6 mm Z140	300	200	260	30	50	0,60	
98718	R TEC90 300 250 0,6 mm Z140	300	250	310	30	50	0,60	
98719	R TEC90 300 300 0,6 mm Z140	300	300	360	30	50	0,60	
114490	R TEC90 315 80 0,6 mm Z140	315	80	140	30	50	0,60	

Note

For the other sizes, please contact the commercial department.



SPIRAL® SYSTEM ROUND VENTILATION DUCTS AND FITTINGS

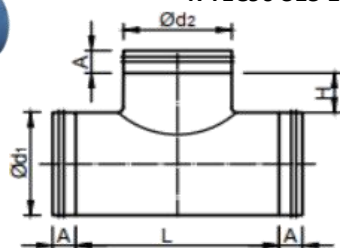
Pieces type T; X; Y

T-piece 90° R TEC90



Product Code Model

R TEC90 315 100 0,6 mm Z140



Explanation:

R TEC90 Type

315 Diameter d1 [mm]

100 Diameter d2 [mm]

0,6 mm Thickness δ [mm]

Z140 Class

SKU	TYPE	Diameter d1 [mm]	Diameter d2 [mm]	L [mm]	H [mm]	A [mm]	Thickness δ [mm]	
114491	R TEC90 315 100 0,6 mm Z140	315	100	160	30	50	0,60	
98720	R TEC90 315 125 0,6 mm Z140	315	125	185	30	50	0,60	
98721	R TEC90 315 160 0,6 mm Z140	315	160	220	30	50	0,60	
98722	R TEC90 315 200 0,6 mm Z140	315	200	260	30	50	0,60	
98723	R TEC90 315 250 0,6 mm Z140	315	250	310	30	50	0,60	
98724	R TEC90 315 300 0,6 mm Z140	315	300	360	30	50	0,60	
98725	R TEC90 315 315 0,6 mm Z140	315	315	375	30	50	0,60	
114492	R TEC90 355 80 0,6 mm Z140	355	80	140	30	50	0,60	
114493	R TEC90 355 100 0,6 mm Z140	355	100	160	30	50	0,60	
98726	R TEC90 355 125 0,6 mm Z140	355	125	185	30	50	0,60	
98727	R TEC90 355 160 0,6 mm Z140	355	160	220	30	50	0,60	
98728	R TEC90 355 200 0,6 mm Z140	355	200	260	30	50	0,60	
98729	R TEC90 355 250 0,6 mm Z140	355	250	310	30	50	0,60	
98730	R TEC90 355 300 0,6 mm Z140	355	300	360	30	50	0,60	
98731	R TEC90 355 315 0,6 mm Z140	355	315	375	30	50	0,60	
98732	R TEC90 355 355 0,6 mm Z140	355	355	415	30	50	0,60	
114494	R TEC90 400 80 0,6 mm Z140	400	80	140	30	50	0,60	
114495	R TEC90 400 100 0,6 mm Z140	400	100	160	30	50	0,60	
98733	R TEC90 400 125 0,6 mm Z140	400	125	185	30	50	0,60	
98734	R TEC90 400 160 0,6 mm Z140	400	160	220	30	50	0,60	
98735	R TEC90 400 200 0,6 mm Z140	400	200	260	30	50	0,60	
98736	R TEC90 400 250 0,6 mm Z140	400	250	310	30	50	0,60	
98737	R TEC90 400 300 0,6 mm Z140	400	300	360	30	50	0,60	
98738	R TEC90 400 315 0,6 mm Z140	400	315	375	30	50	0,60	
98739	R TEC90 400 355 0,6 mm Z140	400	355	415	30	50	0,60	
98740	R TEC90 400 400 0,6 mm Z140	400	400	460	30	50	0,60	
114496	R TEC90 450 80 0,6 mm Z140	450	80	140	30	50	0,60	
114497	R TEC90 450 100 0,6 mm Z140	450	100	160	30	50	0,60	
98741	R TEC90 450 125 0,6 mm Z140	450	125	185	30	50	0,60	
98742	R TEC90 450 160 0,6 mm Z140	450	160	220	30	50	0,60	
98743	R TEC90 450 200 0,6 mm Z140	450	200	260	30	50	0,60	
98744	R TEC90 450 250 0,6 mm Z140	450	250	310	30	50	0,60	
98745	R TEC90 450 300 0,6 mm Z140	450	300	360	30	50	0,60	
98746	R TEC90 450 315 0,6 mm Z140	450	315	375	30	50	0,60	
98747	R TEC90 450 355 0,6 mm Z140	450	355	415	30	50	0,60	
98748	R TEC90 450 400 0,6 mm Z140	450	400	460	30	50	0,7	

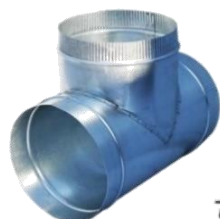
Note For the other sizes, please contact the commercial department.



SPIRAL® SYSTEM ROUND VENTILATION DUCTS AND FITTINGS

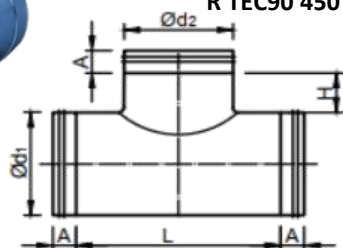
Pieces type T; X; Y

T-piece 90° R TEC90



Product Code Model

R TEC90 450 450 0,6 mm Z140



Explanation:

R TEC90 Type

450 Diameter d1 [mm]

450 Diameter d2 [mm]

0,6 mm Thickness δ [mm]

Z140 Class

SKU	TYPE	Diameter d1 [mm]	Diameter d2 [mm]	L [mm]	H [mm]	A [mm]	Thickness δ [mm]	
98749	R TEC90 450 450 0,6 mm Z140	450	450	510	30	50	0,60	
114498	R TEC90 500 80 0,7 mm Z140	500	80	140	30	50	0,70	
114499	R TEC90 500 100 0,7 mm Z140	500	100	160	30	50	0,70	
98750	R TEC90 500 125 0,7 mm Z140	500	125	185	30	50	0,70	
98751	R TEC90 500 160 0,7 mm Z140	500	160	220	30	50	0,70	
98752	R TEC90 500 200 0,7 mm Z140	500	200	260	30	50	0,70	
98753	R TEC90 500 250 0,7 mm Z140	500	250	310	30	50	0,70	
98754	R TEC90 500 300 0,7 mm Z140	500	300	360	30	50	0,70	
98755	R TEC90 500 315 0,7 mm Z140	500	315	375	30	50	0,70	
98756	R TEC90 500 355 0,7 mm Z140	500	355	415	30	50	0,70	
98757	R TEC90 500 400 0,7 mm Z140	500	400	460	30	50	0,70	
98758	R TEC90 500 450 0,7 mm Z140	500	450	510	30	50	0,70	
98759	R TEC90 500 500 0,7 mm Z140	500	500	560	30	50	0,70	
98760	R TEC90 560 160 0,7 mm Z140	560	160	220	30	50	0,70	
98761	R TEC90 560 200 0,7 mm Z140	560	200	260	30	50	0,70	
98762	R TEC90 560 250 0,7 mm Z140	560	250	310	30	50	0,70	
98763	R TEC90 560 300 0,7 mm Z140	560	300	360	30	50	0,70	
98764	R TEC90 560 315 0,7 mm Z140	560	315	375	30	50	0,70	
98765	R TEC90 560 355 0,7 mm Z140	560	355	415	30	50	0,70	
98766	R TEC90 560 400 0,7 mm Z140	560	400	460	30	50	0,70	
98767	R TEC90 560 450 0,7 mm Z140	560	450	510	30	50	0,70	
98768	R TEC90 560 500 0,7 mm Z140	560	500	560	30	50	0,70	
98769	R TEC90 560 560 0,7 mm Z140	560	560	620	30	50	0,70	
98770	R TEC90 600 250 0,7 mm Z140	600	250	310	30	50	0,70	
98771	R TEC90 600 300 0,7 mm Z140	600	300	360	30	50	0,70	
98772	R TEC90 600 315 0,7 mm Z140	600	315	375	30	50	0,70	
98773	R TEC90 600 355 0,7 mm Z140	600	355	415	30	50	0,70	
98774	R TEC90 600 400 0,7 mm Z140	600	400	460	30	50	0,70	
98775	R TEC90 600 450 0,7 mm Z140	600	450	510	30	50	0,70	
98776	R TEC90 600 500 0,7 mm Z140	600	500	560	30	50	0,70	
98777	R TEC90 600 560 0,7 mm Z140	600	560	620	30	50	0,70	
98778	R TEC90 600 600 0,7 mm Z140	600	600	660	30	50	0,70	
98779	R TEC90 630 315 0,7 mm Z140	630	315	375	30	50	0,70	
98780	R TEC90 630 355 0,7 mm Z140	630	355	415	30	50	0,70	
98781	R TEC90 630 400 0,7 mm Z140	630	400	460	30	50	0,70	
98782	R TEC90 630 450 0,7 mm Z140	630	450	510	30	50	0,70	

Note For the other sizes, please contact the commercial department.



SPIRAL® SYSTEM ROUND VENTILATION DUCTS AND FITTINGS

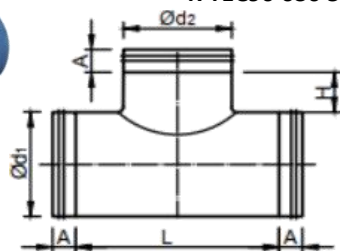
Pieces type T; X; Y

T-piece 90° R TEC90



Product Code Model

R TEC90 630 500 0,7 mm Z140



Explanation:

R TEC90 Type

630 Diameter d1 [mm]

500 Diameter d2 [mm]

0,7 mm Thickness δ [mm]

Z140 Class

SKU	TYPE	Diameter d1 [mm]	Diameter d2 [mm]	L [mm]	H [mm]	A [mm]	Thickness δ [mm]	
98783	R TEC90 630 500 0,7 mm Z140	630	500	560	30	50	0,70	
98784	R TEC90 630 560 0,7 mm Z140	630	560	620	30	50	0,70	
98785	R TEC90 630 600 0,7 mm Z140	630	600	660	30	50	0,70	
98786	R TEC90 630 630 0,7 mm Z140	630	630	690	30	50	0,70	
98787	R TEC90 710 315 0,7 mm Z140	710	315	375	30	50	0,70	
98788	R TEC90 710 355 0,7 mm Z140	710	355	415	30	50	0,70	
98789	R TEC90 710 400 0,7 mm Z140	710	400	460	30	50	0,70	
98790	R TEC90 710 450 0,7 mm Z140	710	450	510	30	50	0,70	
98791	R TEC90 710 500 0,7 mm Z140	710	500	560	30	50	0,70	
98792	R TEC90 710 560 0,7 mm Z140	710	560	620	30	50	0,70	
98793	R TEC90 710 600 0,7 mm Z140	710	600	660	30	50	0,70	
98794	R TEC90 710 630 0,7 mm Z140	710	630	690	30	50	0,70	
98795	R TEC90 710 710 0,7 mm Z140	710	710	770	30	50	0,70	
98796	R TEC90 800 315 0,8 mm Z140	800	315	375	30	50	0,80	
98797	R TEC90 800 355 0,8 mm Z140	800	355	415	30	50	0,80	
98798	R TEC90 800 400 0,8 mm Z140	800	400	460	30	50	0,80	
98799	R TEC90 800 450 0,8 mm Z140	800	450	510	30	50	0,80	
98800	R TEC90 800 500 0,8 mm Z140	800	500	560	30	50	0,80	
98801	R TEC90 800 560 0,8 mm Z140	800	560	620	30	50	0,80	
98802	R TEC90 800 600 0,8 mm Z140	800	600	660	30	50	0,80	
98803	R TEC90 800 630 0,8 mm Z140	800	630	690	30	50	0,80	
98804	R TEC90 800 710 0,8 mm Z140	800	710	770	30	50	0,80	
98805	R TEC90 800 800 0,8 mm Z140	800	800	860	30	50	0,80	
98806	R TEC90 900 355 0,8 mm Z140	900	355	415	30	50	0,80	
98807	R TEC90 900 400 0,8 mm Z140	900	400	460	30	50	0,80	
98808	R TEC90 900 450 0,8 mm Z140	900	450	510	30	50	0,80	
98809	R TEC90 900 500 0,8 mm Z140	900	500	560	30	50	0,80	
98810	R TEC90 900 560 0,8 mm Z140	900	560	620	30	50	0,80	
98811	R TEC90 900 600 0,8 mm Z140	900	600	660	30	50	0,80	
98812	R TEC90 900 630 0,8 mm Z140	900	630	690	30	50	0,80	
98813	R TEC90 900 710 0,8 mm Z140	900	710	770	30	50	0,80	
98814	R TEC90 900 800 0,8 mm Z140	900	800	860	30	50	0,80	
98815	R TEC90 900 900 0,8 mm Z140	900	900	960	30	50	0,80	
98816	R TEC90 1000 400 0,8 mm Z140	1000	400	460	30	50	0,80	
98817	R TEC90 1000 450 0,8 mm Z140	1000	450	510	30	50	0,80	
98818	R TEC90 1000 500 0,8 mm Z140	1000	500	560	30	50	0,80	

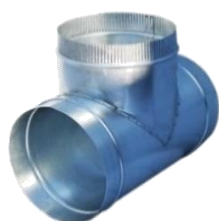
Note For the other sizes, please contact the commercial department.



SPIRAL® SYSTEM ROUND VENTILATION DUCTS AND FITTINGS

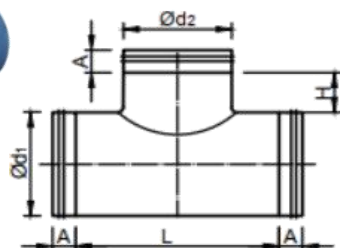
Pieces type T; X; Y

T-piece 90° R TEC90



Product Code Model

R TEC90 1000 560 0,8 mm Z140



Explanation:

R TEC90 Type

1000 Diameter d1 [mm]

560 Diameter d2 [mm]

0,8 mm Thickness δ [mm]

Z140 Class

SKU	TYPE	Diameter d1 [mm]	Diameter d2 [mm]	L [mm]	H [mm]	A [mm]	Thickness δ [mm]	
98819	R TEC90 1000 560 0,8 mm Z140	1000	560	620	30	50	0,80	
98820	R TEC90 1000 600 0,8 mm Z140	1000	600	660	30	50	0,80	
98821	R TEC90 1000 630 0,8 mm Z140	1000	630	690	30	50	0,80	
98822	R TEC90 1000 710 0,8 mm Z140	1000	710	770	30	50	0,80	
98823	R TEC90 1000 800 0,8 mm Z140	1000	800	860	30	50	0,80	
98824	R TEC90 1000 900 0,8 mm Z140	1000	900	960	30	50	0,80	
98825	R TEC90 1000 1000 0,8 mm Z140	1000	1000	1060	30	50	0,80	
98826	R TEC90 1120 500 1 mm Z140	1120	500	560	30	50	1,00	
98827	R TEC90 1120 560 1 mm Z140	1120	560	620	30	50	1,00	
98828	R TEC90 1120 600 1 mm Z140	1120	600	660	30	50	1,00	
98829	R TEC90 1120 630 1 mm Z140	1120	630	690	30	50	1,00	
98830	R TEC90 1120 710 1 mm Z140	1120	710	770	30	50	1,00	
98831	R TEC90 1120 800 1 mm Z140	1120	800	860	30	50	1,00	
98832	R TEC90 1120 900 1 mm Z140	1120	900	960	30	50	1,00	
98833	R TEC90 1120 1000 1 mm Z140	1120	1000	1060	30	50	1,00	
98834	R TEC90 1120 1120 1 mm Z140	1120	1120	1180	30	50	1,00	
98835	R TEC90 1250 500 1 mm Z140	1250	500	560	30	50	1,00	
98836	R TEC90 1250 560 1 mm Z140	1250	560	620	30	50	1,00	
98837	R TEC90 1250 600 1 mm Z140	1250	600	660	30	50	1,00	
98838	R TEC90 1250 630 1 mm Z140	1250	630	690	30	50	1,00	
98839	R TEC90 1250 710 1 mm Z140	1250	710	770	30	50	1,00	
98840	R TEC90 1250 800 1 mm Z140	1250	800	860	30	50	1,00	
98841	R TEC90 1250 900 1 mm Z140	1250	900	960	30	50	1,00	
98842	R TEC90 1250 1000 1 mm Z140	1250	1000	1060	30	50	1,00	
98843	R TEC90 1250 1120 1 mm Z140	1250	1120	1180	30	50	1,00	
98844	R TEC90 1250 1250 1 mm Z140	1250	1250	1310	30	50	1,00	

Note

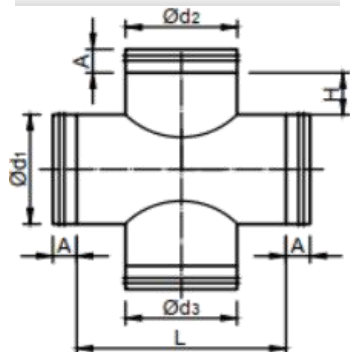
For the other sizes, please contact the commercial department.



SPIRAL® SYSTEM ROUND VENTILATION DUCTS AND FITTINGS

Pieces type T; X; Y

X-piece R PIXC



Description:

The X- Pieces are used in air conditioning and ventilation systems for making bifurcations in ductwork sections, both flexible and rigid, for evacuation or introduction as much air as possible.

Used Material:

Galvanized steel DX51, Class Z140.

Note:

The thickness of the galvanized sheet varies depending on the diameter.

Product Code Model

R PIXC 125 125 125 0,5 mm Z140

Explanation:

R PIXC Type

125 Diameter d1 [mm]

125 Diameter d2 [mm]

125 Diameter d3 [mm]

0,5 mm Thickness δ [mm]

Z140 Class

A = 50 [mm]

SKU	TYPE	Diameter d1 [mm]	Diameter d2/d3 [mm]	L [mm]	H [mm]	Thickness δ [mm]	
98966	R PIXC 125 125 125 0,5 mm Z140	125	125	185	30	0,50	
114500	R PIXC 160 80 80 0,5 mm Z140	160	80	140	30	0,50	
114501	R PIXC 160 100 100 0,5 mm Z140	160	100	160	30	0,50	
98967	R PIXC 160 125 125 0,5 mm Z140	160	125	185	30	0,50	
98968	R PIXC 160 160 160 0,5 mm Z140	160	160	220	30	0,50	
114502	R PIXC 200 80 80 0,5 mm Z140	200	80	140	30	0,50	
114503	R PIXC 200 100 100 0,5 mm Z140	200	100	160	30	0,50	
98969	R PIXC 200 125 125 0,5 mm Z140	200	125	185	30	0,50	
98970	R PIXC 200 160 160 0,5 mm Z140	200	160	220	30	0,50	
98971	R PIXC 200 200 200 0,5 mm Z140	200	200	260	30	0,50	
114504	R PIXC 250 80 80 0,5 mm Z140	250	80	140	30	0,50	
114505	R PIXC 250 100 100 0,5 mm Z140	250	100	160	30	0,50	
98972	R PIXC 250 125 125 0,5 mm Z140	250	125	185	30	0,50	
98973	R PIXC 250 160 160 0,5 mm Z140	250	160	220	30	0,50	
98974	R PIXC 250 200 200 0,5 mm Z140	250	200	260	30	0,50	
98975	R PIXC 250 250 250 0,5 mm Z140	250	250	310	30	0,50	
114506	R PIXC 300 80 80 0,6 mm Z140	300	80	140	30	0,60	
114507	R PIXC 300 100 100 0,6 mm Z140	300	100	160	30	0,60	
98976	R PIXC 300 125 125 0,6 mm Z140	300	125	185	30	0,60	
98977	R PIXC 300 160 160 0,6 mm Z140	300	160	220	30	0,60	
98978	R PIXC 300 200 200 0,6 mm Z140	300	200	260	30	0,60	
98979	R PIXC 300 250 250 0,6 mm Z140	300	250	310	30	0,60	
98980	R PIXC 300 300 300 0,6 mm Z140	300	300	360	30	0,60	
114508	R PIXC 315 80 80 0,6 mm Z140	315	80	140	30	0,60	
114509	R PIXC 315 100 100 0,6 mm Z140	315	100	160	30	0,60	
98981	R PIXC 315 125 125 0,6 mm Z140	315	125,0	185	30	0,60	

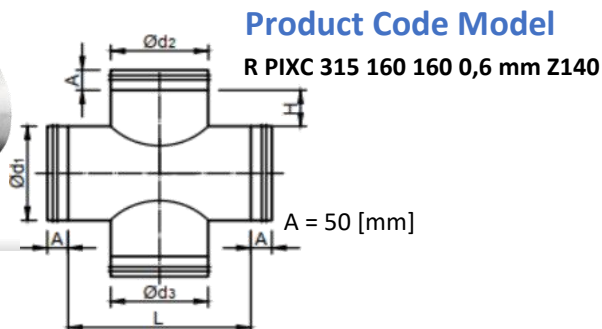
Note

For the other sizes, please contact the commercial department.

SPIRAL® SYSTEM ROUND VENTILATION DUCTS AND FITTINGS

Pieces type T; X; Y

X-piece R PIXC



Explanation:

R PIXC Type

315 Diameter d1 [mm]

160 Diameter d2 [mm]

160 Diameter d3 [mm]

0,6 mm Thickness δ [mm]

Z140 Class

SKU	TYPE	Diameter d1 [mm]	Diameter d2/d3 [mm]	L [mm]	H [mm]	Thickness δ [mm]	
98982	R PIXC 315 160 160 0,6 mm Z140	315	160	220	30	0,60	
98983	R PIXC 315 200 200 0,6 mm Z140	315	200	260	30	0,60	
98984	R PIXC 315 250 250 0,6 mm Z140	315	250	310	30	0,60	
98985	R PIXC 315 300 300 0,6 mm Z140	315	300	360	30	0,60	
98986	R PIXC 315 315 315 0,6 mm Z140	315	315	375	30	0,60	
114510	R PIXC 355 80 80 0,6 mm Z140	355	80	140	30	0,60	
114511	R PIXC 355 100 100 0,6 mm Z140	355	100	160	30	0,60	
98987	R PIXC 355 125 125 0,6 mm Z140	355	125	185	30	0,60	
98988	R PIXC 355 160 160 0,6 mm Z140	355	160	220	30	0,60	
98989	R PIXC 355 200 200 0,6 mm Z140	355	200	260	30	0,60	
98990	R PIXC 355 250 250 0,6 mm Z140	355	250	310	30	0,60	
98991	R PIXC 355 300 300 0,6 mm Z140	355	300	360	30	0,60	
98992	R PIXC 355 315 315 0,6 mm Z140	355	315	375	30	0,60	
98993	R PIXC 355 355 355 0,6 mm Z140	355	355	415	30	0,60	
114512	R PIXC 400 80 80 0,6 mm Z140	400	80	140	30	0,60	
114513	R PIXC 400 100 100 0,6 mm Z140	400	100	160	30	0,60	
98994	R PIXC 400 125 125 0,6 mm Z140	400	125	185	30	0,60	
98995	R PIXC 400 160 160 0,6 mm Z140	400	160	220	30	0,60	
98996	R PIXC 400 200 200 0,6 mm Z140	400	200	260	30	0,60	
98997	R PIXC 400 250 250 0,6 mm Z140	400	250	310	30	0,60	
98998	R PIXC 400 300 300 0,6 mm Z140	400	300	360	30	0,60	
98999	R PIXC 400 315 315 0,6 mm Z140	400	315	375	30	0,60	
99000	R PIXC 400 355 355 0,6 mm Z140	400	355	415	30	0,60	
99001	R PIXC 400 400 400 0,6 mm Z140	400	400	460	30	0,60	
114514	R PIXC 450 80 80 0,6 mm Z140	450	80	140	30	0,60	
114515	R PIXC 450 100 100 0,6 mm Z140	450	100	160	30	0,60	
99002	R PIXC 450 125 125 0,6 mm Z140	450	125	185	30	0,60	
99003	R PIXC 450 160 160 0,6 mm Z140	450	160	220	30	0,60	
99004	R PIXC 450 200 200 0,6 mm Z140	450	200	260	30	0,60	
99005	R PIXC 450 250 250 0,6 mm Z140	450	250	310	30	0,60	
99006	R PIXC 450 300 300 0,6 mm Z140	450	300	360	30	0,60	
99007	R PIXC 450 315 315 0,6 mm Z140	450	315	375	30	0,60	
99008	R PIXC 450 355 355 0,6 mm Z140	450	355	415	30	0,60	
99009	R PIXC 450 400 400 0,6 mm Z140	450	400	460	30	0,60	
99010	R PIXC 450 450 450 0,6 mm Z140	450	450	510	30	0,60	
114516	R PIXC 500 80 80 0,7 mm Z140	500	80	140	30	0,70	

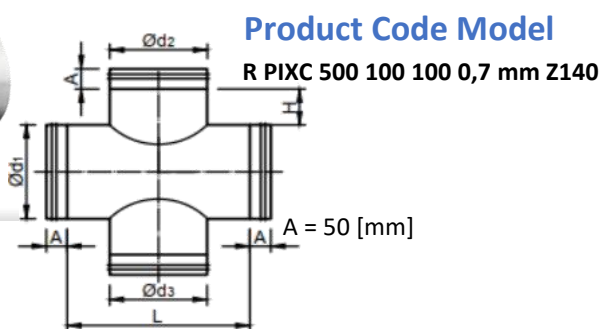
Note For the other sizes, please contact the commercial department.



SPIRAL® SYSTEM ROUND VENTILATION DUCTS AND FITTINGS

Pieces type T; X; Y

X-piece R PIXC



Explanation:

- R PIXC** Type
- 500** Diameter d1 [mm]
- 100** Diameter d2 [mm]
- 100** Diameter d3 [mm]
- 0,7 mm** Thickness δ [mm]
- Z140** Class

SKU	TYPE	Diameter d1 [mm]	Diameter d2/d3 [mm]	L [mm]	H [mm]	Thickness δ [mm]	
114517	R PIXC 500 100 100 0,7 mm Z140	500	100	160	30	0,70	
99011	R PIXC 500 125 125 0,7 mm Z140	500	125	185	30	0,70	
99012	R PIXC 500 160 160 0,7 mm Z140	500	160	220	30	0,70	
99013	R PIXC 500 200 200 0,7 mm Z140	500	200	260	30	0,70	
99014	R PIXC 500 250 250 0,7 mm Z140	500	250	310	30	0,70	
99015	R PIXC 500 300 300 0,7 mm Z140	500	300	360	30	0,70	
99016	R PIXC 500 315 315 0,7 mm Z140	500	315	375	30	0,70	
99017	R PIXC 500 355 355 0,7 mm Z140	500	355	415	30	0,70	
99018	R PIXC 500 400 400 0,7 mm Z140	500	400	460	30	0,70	
99019	R PIXC 500 450 450 0,7 mm Z140	500	450	510	30	0,70	
99020	R PIXC 500 500 500 0,7 mm Z140	500	500	560	30	0,70	
99021	R PIXC 560 160 160 0,7 mm Z140	560	160	220	30	0,70	
99022	R PIXC 560 200 200 0,7 mm Z140	560	200	260	30	0,70	
99023	R PIXC 560 250 250 0,7 mm Z140	560	250	310	30	0,70	
99024	R PIXC 560 300 300 0,7 mm Z140	560	300	360	30	0,70	
99025	R PIXC 560 315 315 0,7 mm Z140	560	315	375	30	0,70	
99026	R PIXC 560 355 355 0,7 mm Z140	560	355	415	30	0,70	
99027	R PIXC 560 400 400 0,7 mm Z140	560	400	460	30	0,70	
99028	R PIXC 560 450 450 0,7 mm Z140	560	450	510	30	0,70	
99029	R PIXC 560 500 500 0,7 mm Z140	560	500	560	30	0,70	
99030	R PIXC 560 560 560 0,7 mm Z140	560	560	620	30	0,70	
99031	R PIXC 600 250 250 0,7 mm Z140	600	250	310	30	0,70	
99032	R PIXC 600 300 300 0,7 mm Z140	600	300	360	30	0,70	
99033	R PIXC 600 315 315 0,7 mm Z140	600	315	375	30	0,70	
99034	R PIXC 600 355 355 0,7 mm Z140	600	355	415	30	0,70	
99035	R PIXC 600 400 400 0,7 mm Z140	600	400	460	30	0,70	
99036	R PIXC 600 450 450 0,7 mm Z140	600	450	510	30	0,70	
99037	R PIXC 600 500 500 0,7 mm Z140	600	500	560	30	0,70	
99038	R PIXC 600 560 560 0,7 mm Z140	600	560	620	30	0,70	
99039	R PIXC 600 600 600 0,7 mm Z140	600	600	660	30	0,70	
99040	R PIXC 630 315 315 0,7 mm Z140	630	315	375	30	0,70	
99041	R PIXC 630 355 355 0,7 mm Z140	630	355	415	30	0,70	
99042	R PIXC 630 400 400 0,7 mm Z140	630	400	460	30	0,70	
99043	R PIXC 630 450 450 0,7 mm Z140	630	450	510	30	0,70	
99044	R PIXC 630 500 500 0,7 mm Z140	630	500	560	30	0,70	
99045	R PIXC 630 560 560 0,7 mm Z140	630	560	620	30	0,70	

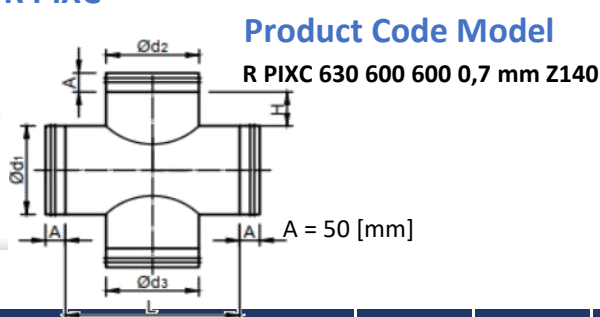
Note For the other sizes, please contact the commercial department.



SPIRAL®SYSTEM ROUND VENTILATION DUCTS AND FITTINGS

Pieces type T; X; Y

X-piece R PIXC



Explanation:

R PIXC Type

630 Diameter d1 [mm]

600 Diameter d2 [mm]

600 Diameter d3 [mm]

0,7 mm Thickness δ [mm]

Z140 Class

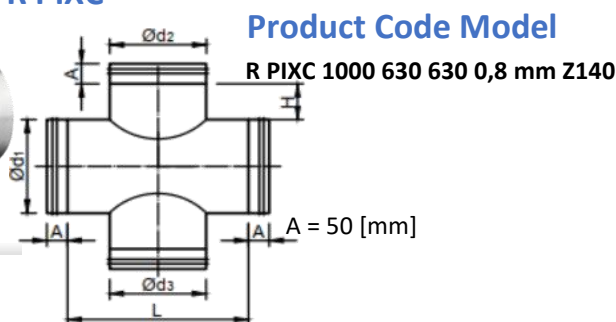
SKU	TYPE	Diameter d1 [mm]	Diameter d2/d3 [mm]	L [mm]	H [mm]	Thickness δ [mm]	
99046	R PIXC 630 600 600 0,7 mm Z140	630	600	660	30	0,70	
99047	R PIXC 630 630 630 0,7 mm Z140	630	630	690	30	0,70	
99048	R PIXC 710 315 315 0,7 mm Z140	710	315	375	30	0,70	
99049	R PIXC 710 355 355 0,7 mm Z140	710	355	415	30	0,70	
99050	R PIXC 710 400 400 0,7 mm Z140	710	400	460	30	0,70	
99051	R PIXC 710 450 450 0,7 mm Z140	710	450	510	30	0,70	
99052	R PIXC 710 500 500 0,7 mm Z140	710	500	560	30	0,70	
99053	R PIXC 710 560 560 0,7 mm Z140	710	560	620	30	0,70	
99054	R PIXC 710 600 600 0,7 mm Z140	710	600	660	30	0,70	
99055	R PIXC 710 630 630 0,7 mm Z140	710	630	690	30	0,70	
99056	R PIXC 710 710 710 0,7 mm Z140	710	710	770	30	0,70	
99057	R PIXC 800 315 315 0,8 mm Z140	800	315	375	30	0,80	
99058	R PIXC 800 355 355 0,8 mm Z140	800	355	415	30	0,80	
99059	R PIXC 800 400 400 0,8 mm Z140	800	400	460	30	0,80	
99060	R PIXC 800 450 450 0,8 mm Z140	800	450	510	30	0,80	
99061	R PIXC 800 500 500 0,8 mm Z140	800	500	560	30	0,80	
99062	R PIXC 800 560 560 0,8 mm Z140	800	560	620	30	0,80	
99063	R PIXC 800 600 600 0,8 mm Z140	800	600	660	30	0,80	
99064	R PIXC 800 630 630 0,8 mm Z140	800	630	690	30	0,80	
99065	R PIXC 800 710 710 0,8 mm Z140	800	710	770	30	0,80	
99066	R PIXC 800 800 800 0,8 mm Z140	800	800	860	30	0,80	
99067	R PIXC 900 355 355 0,8 mm Z140	900	355	415	30	0,80	
99068	R PIXC 900 400 400 0,8 mm Z140	900	400	460	30	0,80	
99069	R PIXC 900 450 450 0,8 mm Z140	900	450	510	30	0,80	
99070	R PIXC 900 500 500 0,8 mm Z140	900	500	560	30	0,80	
99071	R PIXC 900 560 560 0,8 mm Z140	900	560	620	30	0,80	
99072	R PIXC 900 600 600 0,8 mm Z140	900	600	660	30	0,80	
99073	R PIXC 900 630 630 0,8 mm Z140	900	630	690	30	0,80	
99074	R PIXC 900 710 710 0,8 mm Z140	900	710	770	30	0,80	
99075	R PIXC 900 800 800 0,8 mm Z140	900	800	860	30	0,80	
99076	R PIXC 900 900 900 0,8 mm Z140	900	900	960	30	0,80	
99077	R PIXC 1000 400 400 0,8 mm Z140	1000	400	460	30	0,80	
99078	R PIXC 1000 450 450 0,8 mm Z140	1000	450	510	30	0,80	
99079	R PIXC 1000 500 500 0,8 mm Z140	1000	500	560	30	0,80	
99080	R PIXC 1000 560 560 0,8 mm Z140	1000	560	620	30	0,80	
99081	R PIXC 1000 600 600 0,8 mm Z140	1000	600	660	30	0,80	

Note For the other sizes, please contact the commercial department.

SPIRAL®SYSTEM ROUND VENTILATION DUCTS AND FITTINGS

Pieces type T; X; Y

X-piece R PIXC



Explanation:

R PIXC Type

1000 Diameter d1 [mm]

630 Diameter d2 [mm]

630 Diameter d3 [mm]

0,8 mm Thickness δ [mm]

Z140 Class

SKU	TYPE	Diameter d1 [mm]	Diameter d2/d3 [mm]	L [mm]	H [mm]	Thickness δ [mm]	
99082	R PIXC 1000 630 630 0,8 mm Z140	1000	630	690	30	0,80	
99083	R PIXC 1000 710 710 0,8 mm Z140	1000	710	770	30	0,80	
99084	R PIXC 1000 800 800 0,8 mm Z140	1000	800	860	30	0,80	
99085	R PIXC 1000 900 900 0,8 mm Z140	1000	900	960	30	0,80	
99086	R PIXC 1000 1000 1000 0,8 mm Z140	1000	1000	1060	30	0,80	
99087	R PIXC 1120 500 500 1 mm Z140	1120	500	560	30	1,00	
99088	R PIXC 1120 560 560 1 mm Z140	1120	560	620	31	1,00	
99089	R PIXC 1120 600 600 1 mm Z140	1120	600	660	32	1,00	
99090	R PIXC 1120 630 630 1 mm Z140	1120	630	690	33	1,00	
99091	R PIXC 1120 710 710 1 mm Z140	1120	710	770	34	1,00	
99092	R PIXC 1120 800 800 1 mm Z140	1120	800	860	35	1,00	
99093	R PIXC 1120 900 900 1 mm Z140	1120	900	960	36	1,00	
99094	R PIXC 1120 1000 1000 1 mm Z140	1120	1000	1060	37	1,00	
99095	R PIXC 1120 1120 1120 1 mm Z140	1120	1120	1180	38	1,00	
99096	R PIXC 1250 500 500 1 mm Z140	1250	500	560	39	1,00	
99097	R PIXC 1250 560 560 1 mm Z140	1250	560	620	40	1,00	
99098	R PIXC 1250 600 600 1 mm Z140	1250	600	660	41	1,00	
99099	R PIXC 1250 630 630 1 mm Z140	1250	630	690	42	1,00	
99100	R PIXC 1250 710 710 1 mm Z140	1250	710	770	43	1,00	
99101	R PIXC 1250 800 800 1 mm Z140	1250	800	860	44	1,00	
99102	R PIXC 1250 900 900 1 mm Z140	1250	900	960	45	1,00	
99103	R PIXC 1250 1000 1000 1 mm Z140	1250	1000	1060	46	1,00	
99104	R PIXC 1250 1120 1120 1 mm Z140	1250	1120	1180	47	1,00	
99105	R PIXC 1250 1250 1250 1 mm Z140	1250	1250	1310	48	1,00	

Note

For the other sizes, please contact the commercial department.

SPIRAL®SYSTEM ROUND VENTILATION DUCTS AND FITTINGS

Pieces type S

S-Piece R PICDS



Description:

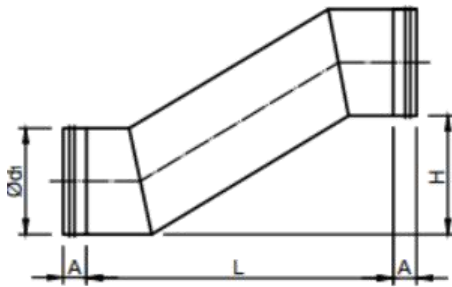
The Type S deflection piece is used for level differences and bypassing obstacles that may occur on the pipe route.

Used Material:

Galvanized steel DX51, Class Z140.

Note:

The thickness of the galvanized sheet varies depending on the diameter.



Product Code Model

R PICDS 125 0,5 mm Z140

Explanation:

- R PICDS** Type
- 125** Diameter d1 [mm]
- 0,5 mm** Thickness δ [mm]
- Z140** Class

SKU	TYPE	Diameter d1 [mm]	L [mm]	H [mm]	A [mm]	Thickness δ [mm]		
99335	R PICDS 125 0,5 mm Z140	125	235	125,0	50,00	0,50		
99336	R PICDS 160 0,5 mm Z140	160	285	160,0	50,00	0,50		
99337	R PICDS 200 0,5 mm Z140	200	345	200,0	50,00	0,50		
99338	R PICDS 250 0,5 mm Z140	250	415	250,0	50,00	0,50		
99339	R PICDS 300 0,6 mm Z140	300	485	300,0	50,00	0,60		
99340	R PICDS 315 0,6 mm Z140	315	505	315,0	50,00	0,60		
99341	R PICDS 355 0,6 mm Z140	355	560	355,0	50,00	0,60		
99342	R PICDS 400 0,6 mm Z140	400	625	400,0	50,00	0,60		
99343	R PICDS 450 0,6 mm Z140	450	695	450,0	50,00	0,60		
99344	R PICDS 500 0,6 mm Z140	500	765	500,0	50,00	0,60		
99345	R PICDS 560 0,6 mm Z140	560	850	560,0	50,00	0,60		
99346	R PICDS 600 0,6 mm Z140	600	910	600,0	50,00	0,60		
99347	R PICDS 630 0,7 mm Z140	630	950	630,0	50,00	0,70		
99348	R PICDS 710 0,7 mm Z140	710	1065	710,0	50,00	0,70		
99349	R PICDS 800 0,7 mm Z140	800	1190	800,0	50,00	0,70		
99350	R PICDS 900 0,8 mm Z140	900	1335	900,0	50,00	0,80		
99351	R PICDS 1000 0,8 mm Z140	1000	1475	1000,0	50,00	0,80		
99352	R PICDS 1120 1 mm Z140	1120	1645	1120,0	50,00	1,00		
99353	R PICDS 1250 1 mm Z140	1250	1830	1250,0	50,00	1,00		

Note

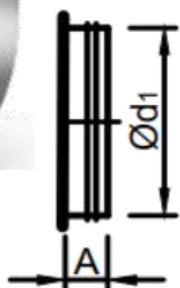
For the other sizes, please contact the commercial department.



SPIRAL®SYSTEM ROUND VENTILATION DUCTS AND FITTINGS

Coupling for SPIRAL ducts

End Cap R CIC



Description:

Interior cover for circular channel.
It is made of galvanized steel sheet.

Used Material:

Galvanized steel DX51, Class Z140.

Note:

The thickness of the galvanized sheet varies depending on the diameter.

Product Code Model

R CIC 80 0,5 mm Z140

Explanation:

- R CIC** Type
- 80** Diameter d1 [mm]
- 0,5 mm** Thickness δ [mm]
- Z140** Class

SKU	TYPE	Diameter d1 [mm]	A [mm]	Thickness δ [mm]				
114519	R CIC 80 0,5 mm Z140	80	50	0,50				
114520	R CIC 100 0,5 mm Z140	100	50	0,50				
99299	R CIC 125 0,5 mm Z140	125	50	0,50				
99300	R CIC 160 0,5 mm Z140	160	50	0,50				
99301	R CIC 200 0,5 mm Z140	200	50	0,50				
99302	R CIC 250 0,5 mm Z140	250	50	0,50				
99303	R CIC 300 0,6 mm Z140	300	50	0,60				
99304	R CIC 315 0,6 mm Z140	315	50	0,60				
99305	R CIC 355 0,6 mm Z140	355	50	0,60				
99306	R CIC 400 0,6 mm Z140	400	50	0,60				
99307	R CIC 450 0,6 mm Z140	450	50	0,60				
99308	R CIC 500 0,6 mm Z140	500	50	0,60				
99309	R CIC 560 0,6 mm Z140	560	50	0,60				
99310	R CIC 600 0,6 mm Z140	600	50	0,60				
99311	R CIC 630 0,7 mm Z140	630	50	0,70				
99312	R CIC 710 0,7 mm Z140	710	50	0,70				
99313	R CIC 800 0,8 mm Z140	800	50	0,80				
99314	R CIC 900 0,8 mm Z140	900	50	0,80				
99315	R CIC 1000 0,8 mm Z140	1000	50	0,80				
99316	R CIC 1120 1 mm Z140	1120	50	1,00				
99317	R CIC 1250 1 mm Z140	1250	50	1,00				

Note

For the other sizes, please contact the commercial department.



SPIRAL®SYSTEM ROUND VENTILATION DUCTS AND FITTINGS

Male couplings R NPC



Description:

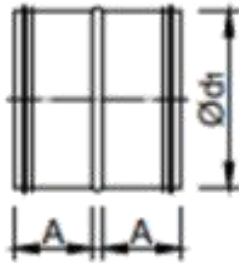
Male couplings can be used for connecting round fittings.

Used Material:

Galvanized steel DX51, Class Z140.

Note:

The thickness of the galvanized sheet varies depending on the diameter.



Product Code Model

R NPC 80 0,5 mm Z140

Explanation:

R NPC Type

80 Diameter d1 [mm]

0,5 mm Thickness δ [mm]

Z140 Class

SKU	TYPE	Diameter d1 [mm]	A [mm]	Thickness δ [mm]				
114521	R NPC 80 0,5 mm Z140	80	50	0,50				
114522	R NPC 100 0,5 mm Z140	100	50	0,50				
99371	R NPC 125 0,5 mm Z140	125	50	0,50				
99372	R NPC 160 0,5 mm Z140	160	50	0,50				
99373	R NPC 200 0,5 mm Z140	200	50	0,50				
99374	R NPC 250 0,5 mm Z140	250	50	0,50				
99375	R NPC 300 0,6 mm Z140	300	50	0,60				
99376	R NPC 315 0,6 mm Z140	315	50	0,60				
99377	R NPC 355 0,6 mm Z140	355	50	0,60				
99378	R NPC 400 0,6 mm Z140	400	50	0,60				
99379	R NPC 450 0,6 mm Z140	450	50	0,60				
99380	R NPC 500 0,6 mm Z140	500	50	0,60				
99381	R NPC 560 0,6 mm Z140	560	50	0,60				
99382	R NPC 600 0,6 mm Z140	600	50	0,60				
99383	R NPC 630 0,7 mm Z140	630	50	0,70				
99384	R NPC 710 0,7 mm Z140	710	50	0,70				
99385	R NPC 800 0,8 mm Z140	800	50	0,80				
99386	R NPC 900 0,8 mm Z140	900	50	0,80				
99387	R NPC 1000 0,8 mm Z140	1000	50	0,80				
99388	R NPC 1120 1 mm Z140	1120	50	1,00				
99389	R NPC 1250 1 mm Z140	1250	50	1,00				

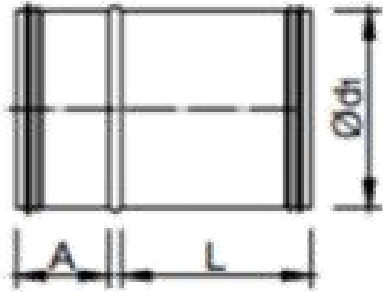
Note

For the other sizes, please contact the commercial department.

SPIRAL®SYSTEM ROUND VENTILATION DUCTS AND FITTINGS

**Male couplings
for ventilation fittings**

Long coupling R NPLC



Description:

They can be used as expansion joints in ductwork or for connecting ducts at floor penetrations. The fitting is also perfect for connecting fire dampers to the ductwork.

Used Material:

Galvanized steel DX51, Class Z140.

Note:

The thickness of the galvanized sheet varies depending on the diameter.

Product Code Model

R NPLC 80 133 0,5 mm Z140

Explanation:

- R NPLC** Type
- 80** Diameter d1 [mm]
- 133** Length L [mm]
- 0,5 mm** Thickness δ [mm]
- Z140** Class

SKU	TYPE	Diameter d1 [mm]	L [mm]	A [mm]	Thickness δ [mm]			
114523	R NPLC 80 133 0,5 mm Z140	80	133	50,0	0,50			
114524	R NPLC 100 133 0,5 mm Z140	100	133	50,0	0,50			
99407	R NPLC 125 133 0,5 mm Z140	125	133	50,0	0,50			
99408	R NPLC 125 284 0,5 mm Z140	125	284	50,0	0,50			
99409	R NPLC 125 548 0,5 mm Z140	125	548	50,0	0,50			
99410	R NPLC 160 133 0,5 mm Z140	160	133	50,0	0,50			
99411	R NPLC 160 284 0,5 mm Z140	160	284	50,0	0,50			
99412	R NPLC 160 548 0,5 mm Z140	160	548	50,0	0,50			
99413	R NPLC 200 133 0,5 mm Z140	200	133	50,0	0,50			
99414	R NPLC 200 284 0,5 mm Z140	200	284	50,0	0,50			
99415	R NPLC 200 548 0,5 mm Z140	200	548	50,0	0,50			
99416	R NPLC 250 177 0,5 mm Z140	250	177	50,0	0,50			
99417	R NPLC 250 297 0,5 mm Z140	250	297	50,0	0,50			
99418	R NPLC 250 527 0,5 mm Z140	250	527	50,0	0,50			
99419	R NPLC 300 177 0,6 mm Z140	300	177	50,0	0,60			
99420	R NPLC 300 297 0,6 mm Z140	300	297	50,0	0,60			
99421	R NPLC 300 527 0,6 mm Z140	300	527	50,0	0,60			
99422	R NPLC 315 177 0,6 mm Z140	315	177	50,0	0,60			
99423	R NPLC 315 297 0,6 mm Z140	315	297	50,0	0,60			
99424	R NPLC 315 527 0,6 mm Z140	315	527	50,0	0,60			
99425	R NPLC 355 177 0,6 mm Z140	355	177	50,0	0,60			
99426	R NPLC 355 297 0,6 mm Z140	355	297	50,0	0,60			
99427	R NPLC 355 527 0,6 mm Z140	355	527	50,0	0,60			
99428	R NPLC 400 175 0,6 mm Z140	400	175	50,0	0,60			
99429	R NPLC 400 297 0,6 mm Z140	400	297	50,0	0,60			
99430	R NPLC 400 510 0,6 mm Z140	400	510	50,0	0,60			

Note

For the other sizes, please contact the commercial department.

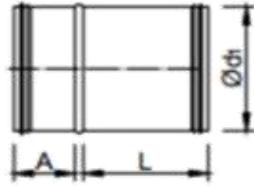
SPIRAL®SYSTEM ROUND VENTILATION DUCTS AND FITTINGS

Long coupling R NPLC



Product Code Model

R NPLC 450 175 0,6 mm Z140



Male couplings for ventilation fittings

Explanation:

- R NPLC** Type
- 450** Diameter d1 [mm]
- 175** Length L [mm]
- 0,6 mm** Thickness δ [mm]
- Z140** Class

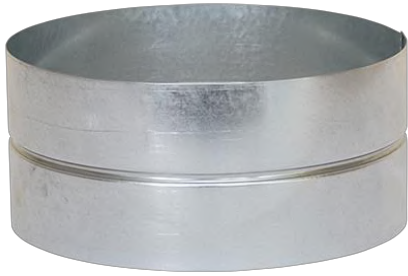
SKU	TYPE	Diameter d1 [mm]	L [mm]	A [mm]	Thickness δ [mm]			
99431	R NPLC 450 175 0,6 mm Z140	450	175	50,0	0,60			
99432	R NPLC 450 297 0,6 mm Z140	450	297	50,0	0,60			
99433	R NPLC 450 510 0,6 mm Z140	450	510	50,0	0,60			
99434	R NPLC 500 175 0,6 mm Z140	500	175	50,0	0,60			
99435	R NPLC 500 297 0,6 mm Z140	500	297	50,0	0,60			
99436	R NPLC 500 510 0,6 mm Z140	500	510	50,0	0,60			
99437	R NPLC 560 175 0,6 mm Z140	560	175	50,0	0,60			
99438	R NPLC 560 297 0,6 mm Z140	560	297	50,0	0,60			
99439	R NPLC 560 510 0,6 mm Z140	560	510	50,0	0,60			
99440	R NPLC 600 175 0,6 mm Z140	600	175	50,0	0,60			
99441	R NPLC 600 297 0,6 mm Z140	600	297	50,0	0,60			
99442	R NPLC 600 510 0,6 mm Z140	600	510	50,0	0,60			
99443	R NPLC 630 175 0,7 mm Z140	630	175	50,0	0,70			
99444	R NPLC 630 297 0,7 mm Z140	630	297	50,0	0,70			
99445	R NPLC 630 510 0,7 mm Z140	630	510	50,0	0,70			

Note

For the other sizes, please contact the commercial department.

SPIRAL®SYSTEM ROUND VENTILATION DUCTS AND FITTINGS

Female coupling R MFC



Description:

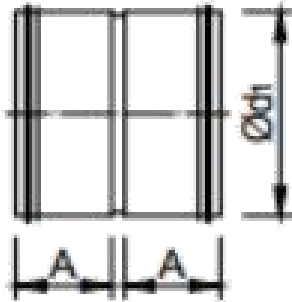
Female coupling is for joining fittings.

Used Material:

Galvanized steel DX51, Class Z140.

Note:

The thickness of the galvanized sheet varies depending on the diameter.



Female couplings for ventilation fittings

Product Code Model

R MFC 80 0,5 mm Z140

Explanation:

R MFC Type

80 Diameter d1 [mm]

0,5 mm Thickness δ [mm]

Z140 Class

SKU	TYPE	Diameter d1 [mm]	A [mm]	Thickness δ [mm]				
114525	R MFC 80 0,5 mm Z140	80	52,5	0,50				
114526	R MFC 100 0,5 mm Z140	100	52,5	0,50				
99485	R MFC 125 0,5 mm Z140	125	52,5	0,50				
99486	R MFC 160 0,5 mm Z140	160	52,5	0,50				
99487	R MFC 200 0,5 mm Z140	200	52,5	0,50				
99488	R MFC 250 0,5 mm Z140	250	52,5	0,50				
99489	R MFC 300 0,6 mm Z140	300	52,5	0,60				
99490	R MFC 315 0,6 mm Z140	315	52,5	0,60				
99491	R MFC 355 0,6 mm Z140	355	52,5	0,60				
99492	R MFC 400 0,6 mm Z140	400	52,5	0,60				
99493	R MFC 450 0,6 mm Z140	450	52,5	0,60				
99494	R MFC 500 0,6 mm Z140	500	52,5	0,60				
99495	R MFC 560 0,6 mm Z140	560	52,5	0,60				
99496	R MFC 600 0,6 mm Z140	600	52,5	0,60				
99497	R MFC 630 0,7 mm Z140	630	52,5	0,70				
99498	R MFC 710 0,7 mm Z140	710	52,5	0,70				
99499	R MFC 800 0,7 mm Z140	800	52,5	0,70				
99500	R MFC 900 0,8 mm Z140	900	52,5	0,80				
99501	R MFC 1000 0,8 mm Z140	1000	52,5	0,80				
99502	R MFC 1120 1 mm Z140	1120	52,5	1,00				
99503	R MFC 1250 1 mm Z140	1250	52,5	1,00				

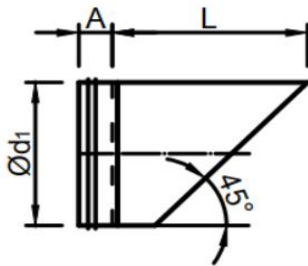
Note

For the other sizes, please contact the commercial department.

SPIRAL®SYSTEM ROUND VENTILATION DUCTS AND FITTINGS

Air Intakes

Air Intake 45°- R PR45



Description:

The Air Intakes 45° with metal mesh

The Take-offs 45° is made of galvanized sheet which is provided with a metal mesh to prevent penetration from the outside of the elements from nature.

Used Material:

Galvanized steel DX51, Class Z140.

Note:

The thickness of the galvanized sheet varies depending on the diameter.

Product Code Model

R PR45 100 0,5 mm Z140

Explanation:

R PR45 Type

100 Diameter d1 [mm]

0,5 mm Thickness δ [mm]

Z140 Class

SKU	TYPE	Diameter d1 [mm]	L [mm]	A [mm]	Thickness δ [mm]			
114518	R PR45 100 0,5 mm Z140	100	150	50,0	0,50			
99227	R PR45 125 0,5 mm Z140	125	175	50,0	0,50			
99228	R PR45 160 0,5 mm Z140	160	210	50,0	0,50			
99229	R PR45 200 0,5 mm Z140	200	250	50,0	0,50			
99230	R PR45 250 0,5 mm Z140	250	300	50,0	0,50			
99231	R PR45 300 0,6 mm Z140	300	350	50,0	0,60			
99232	R PR45 315 0,6 mm Z140	315	365	50,0	0,60			
99233	R PR45 355 0,6 mm Z140	355	405	50,0	0,60			
99234	R PR45 400 0,6 mm Z140	400	450	50,0	0,60			
99235	R PR45 450 0,6 mm Z140	450	500	50,0	0,60			
99236	R PR45 500 0,7 mm Z140	500	550	50,0	0,70			

Note

For the other sizes, please contact the commercial department.

SPIRAL®SYSTEM ROUND VENTILATION DUCTS AND FITTINGS

Take-offs

Take-off with mesh R TRPC



Description:

The take-off with mesh is made of galvanized sheet which is provided with a metal mesh, it is mounted on the vent areas or on the end of the air ducts both on the introduction and on the exhaust.

Used Material:

Galvanized steel DX51, Class Z140.

Note:

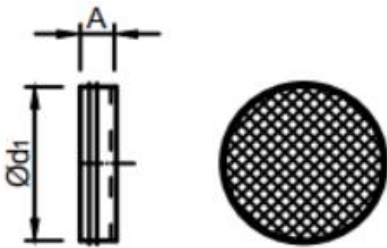
The thickness of the galvanized sheet varies depending on the diameter.

Product Code Model

R TRPC 125 0,5 mm Z140

Explanation:

R TRPC Type
125 Diameter d1 [mm]
0,5 mm Thickness δ [mm]
Z140 Class



SKU	TYPE	Diameter d1 [mm]	A [mm]	Thickness δ [mm]				
99263	R TRPC 125 0,5 mm Z140	125	70	0,50				
99264	R TRPC 160 0,5 mm Z140	160	70	0,50				
99265	R TRPC 200 0,5 mm Z140	200	90	0,50				
99266	R TRPC 250 0,5 mm Z140	250	90	0,50				
99267	R TRPC 300 0,6 mm Z140	300	90	0,60				
99268	R TRPC 315 0,6 mm Z140	315	90	0,60				
99269	R TRPC 355 0,6 mm Z140	355	100	0,60				
99270	R TRPC 400 0,6 mm Z140	400	100	0,60				
99271	R TRPC 450 0,6 mm Z140	450	100	0,60				
99272	R TRPC 500 0,7 mm Z140	500	105	0,70				
99273	R TRPC 560 0,7 mm Z140	560	105	0,70				
99274	R TRPC 600 0,7 mm Z140	600	105	0,70				
99275	R TRPC 630 0,7 mm Z140	630	105	0,70				
99276	R TRPC 710 0,7 mm Z140	710	140	0,70				
99277	R TRPC 800 0,8 mm Z140	800	140	0,80				
99278	R TRPC 900 0,8 mm Z140	900	140	0,80				
99279	R TRPC 1000 0,8 mm Z140	1000	155	0,80				
99280	R TRPC 1120 1 mm Z140	1120	155	1,00				
99281	R TRPC 1250 1 mm Z140	1250	155	1,00				

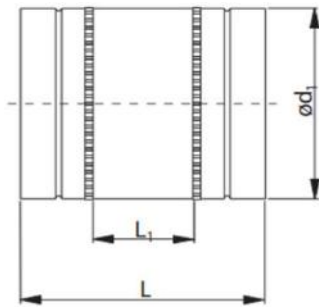
Note

For the other sizes, please contact the commercial department.

SPIRAL® SYSTEM ROUND VENTILATION DUCTS AND FITTINGS

Flexible duct connectors

Flexible duct connectors 35-60-35 - R RFC



Description:

It is for vibration damping in the connection between the units, air handling units, piping systems and ensuring tightness.

Used Material:

Flexible splicing tape FLC 35

Note:

Material: (steel - PVC - steel) or (steel - glass fabric - steel)
Sheet thickness is 0.4 (mm)

Product Code Model

R RFC D80 35-60-35

Explanation:

R RFC Type

D80 Diameter d1 [mm]

35-60-35 Width L [mm]

SKU	TYPE	Diameter d1 [mm]	Duct length L [mm]	Length L1 [mm]				
114527	R RFC D80 35-60-35	80	130	60				
114528	R RFC D100 35-60-35	100	130	60				
114529	R RFC D125 35-60-35	125	130	60				
114530	R RFC D160 35-60-35	160	130	60				
114531	R RFC D200 35-60-35	200	130	60				
114532	R RFC D250 35-60-35	250	130	60				
114533	R RFC D315 35-60-35	315	130	60				
114534	R RFC D355 35-60-35	355	130	60				
114535	R RFC D400 35-60-35	400	130	60				
114536	R RFC D450 35-60-35	450	130	60				
114537	R RFC D500 35-60-35	500	130	60				
114538	R RFC D560 35-60-35	560	130	60				
114539	R RFC D630 35-60-35	630	130	60				
114540	R RFC D710 35-60-35	710	130	60				
114541	R RFC D800 35-60-35	800	130	60				
114542	R RFC D900 35-60-35	900	130	60				
114543	R RFC D1000 35-60-35	1000	130	60				
114544	R RFC D1120 35-60-35	1120	130	60				
114545	R RFC D1250 35-60-35	1250	130	60				
114546	R RFC D1600 35-60-35	1600	130	60				

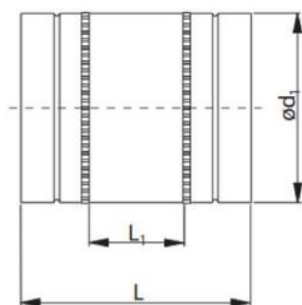
Note

For the other sizes, please contact the commercial department.

SPIRAL® SYSTEM ROUND VENTILATION DUCTS AND FITTINGS

Flexible duct connectors

Flexible duct connectors 45-60-45 - R RFC



Description:

It is for vibration damping in the connection between units, air handling units, piping systems and

ensuring tightness.

Used Material:

Flexible splicing tape FLC 45

Note:

Material: (steel - PVC - steel) or (steel - glass fabric - steel)
Sheet thickness is 0.4 (mm)

Product Code Model

R RFC D80 45-60-45

Explanation:

R RFC Type

D80 Diameter d1 [mm]

45-60-45 Width L [mm]

SKU	TYPE	Diameter d1 [mm]	Duct length L [mm]	Length L1 [mm]				
114547	R RFC D80 45-60-45	80	150	60				
114548	R RFC D100 45-60-45	100	150	60				
114549	R RFC D125 45-60-45	125	150	60				
114550	R RFC D160 45-60-45	160	150	60				
114551	R RFC D200 45-60-45	200	150	60				
114552	R RFC D250 45-60-45	250	150	60				
114553	R RFC D315 45-60-45	315	150	60				
114554	R RFC D355 45-60-45	355	150	60				
114555	R RFC D400 45-60-45	400	150	60				
114556	R RFC D450 45-60-45	450	150	60				
114557	R RFC D500 45-60-45	500	150	60				
114558	R RFC D560 45-60-45	560	150	60				
114559	R RFC D630 45-60-45	630	150	60				
114560	R RFC D710 45-60-45	710	150	60				
114561	R RFC D800 45-60-45	800	150	60				
114562	R RFC D900 45-60-45	900	150	60				
114563	R RFC D1000 45-60-45	1000	150	60				
114564	R RFC D1120 45-60-45	1120	150	60				
114565	R RFC D1250 45-60-45	1250	150	60				
114566	R RFC D1600 45-60-45	1600	150	60				

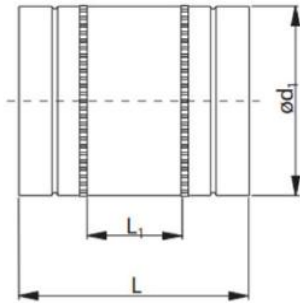
Note

For the other sizes, please contact the commercial department.

SPIRAL® SYSTEM ROUND VENTILATION DUCTS AND FITTINGS

Flexible duct connectors

Flexible duct connectors 70-100-70 - R RFC



Description:

It is for vibration damping in the connection between the units air handling units and piping systems and ensuring tightness.

Used Material:

Flexible splicing tape FLC 70

Note:

Material: (steel - PVC - steel) or (steel - glass fabric - steel)
Sheet thickness is 0.4 (mm)

Product Code Model

R RFC D80 70-100-70

Explanation:

R RFC Type

D80 Diameter d1 [mm]

70-100-70 Width L [mm]

SKU	TYPE	Diameter d1 [mm]	Duct length L [mm]	Length L1 [mm]				
114567	R RFC D80 70-100-70	80	240	100				
114568	R RFC D100 70-100-70	100	240	100				
114569	R RFC D125 70-100-70	125	240	100				
114570	R RFC D160 70-100-70	160	240	100				
114571	R RFC D200 70-100-70	200	240	100				
114572	R RFC D250 70-100-70	250	240	100				
114573	R RFC D315 70-100-70	315	240	100				
114574	R RFC D355 70-100-70	355	240	100				
114575	R RFC D400 70-100-70	400	240	100				
114576	R RFC D450 70-100-70	450	240	100				
114577	R RFC D500 70-100-70	500	240	100				
114578	R RFC D560 70-100-70	560	240	100				
114579	R RFC D630 70-100-70	630	240	100				
114580	R RFC D710 70-100-70	710	240	100				
114581	R RFC D800 70-100-70	800	240	100				
114582	R RFC D900 70-100-70	900	240	100				
114583	R RFC D1000 70-100-70	1000	240	100				
114584	R RFC D1120 70-100-70	1120	240	100				
114585	R RFC D1250 70-100-70	1250	240	100				
114586	R RFC D1600 70-100-70	1600	240	100				

Note

For the other sizes, please contact the commercial department.

SPIRAL® SYSTEM ROUND VENTILATION DUCTS AND FITTINGS

Air intakes

Air intake 90° - R PR90



Description:

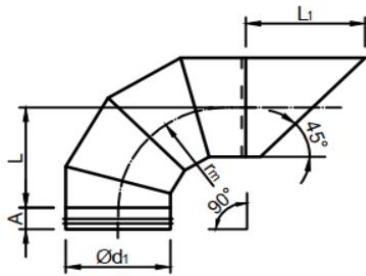
90° air intakes are parts used in the termination of ventilation ducts.

Used Material:

Galvanized steel DX51, Class Z140.

Note:

The thickness of the galvanized sheet varies depending on the diameter.



Product Code Model

R PR90 100 0,5 mm Z140

Explanation:

R PR90 Type

100 Diameter d1 [mm]

0,5 mm Thickness δ [mm]

Z140 Class

SKU	TYPE	Diameter d1 [mm]	Duct length L [mm]	Lungime L1 [mm]	Radius [mm]	A [mm]	Thickness δ [mm]
114587	R PR90 100 0,5 mm Z140	100	100	150	100	50	0,50
114588	R PR90 125 0,5 mm Z140	125	125	175	125	50	0,50
114589	R PR90 160 0,5 mm Z140	160	160	210	160	50	0,50
114590	R PR90 200 0,5 mm Z140	200	200	250	200	50	0,50
114591	R PR90 250 0,5 mm Z140	250	250	300	250	50	0,50
114592	R PR90 300 0,6 mm Z140	300	300	350	300	50	0,60
114593	R PR90 315 0,6 mm Z140	315	315	365	315	50	0,60
114594	R PR90 355 0,6 mm Z140	355	355	405	355	50	0,60
114595	R PR90 400 0,6 mm Z140	400	400	450	400	50	0,60
114596	R PR90 450 0,6 mm Z140	450	450	500	450	50	0,60
114597	R PR90 500 0,7 mm Z140	500	500	550	500	50	0,70

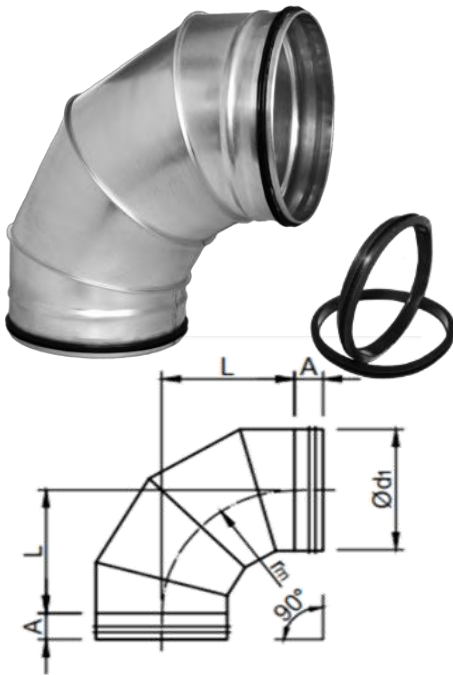
Note

For the other sizes, please contact the commercial department.

SPIRAL® SYSTEM ROUND VENTILATION DUCTS AND FITTINGS

**Segmented bends
with gasket**

Segmented Bend - 90° R CTCG-90



Description:

Segmented bends are designed for building ventilation systems based on spiral and plain ducts. The segments are fastened by hemming and seaming. The piece is connected with a duct by inserting one into the other.

Used Material:

Galvanized steel DX51, Class Z140.

Note:

The thickness of the galvanized sheet varies depending on the diameter.

Product Code Model

R CTCG 125 90 0,5 mm Z140

Explanation:

- R CTCG** Type
- 125** Diameter d1 [mm]
- 90** Angle α
- 0,5 mm** Thickness δ [mm]
- Z140** Class

SKU	TYPE	Diameter d1 [mm]	Duct length L [mm]	Radius [mm]	A [mm]	Thickness δ [mm]
93682	R CTCG 125 90 0,5 mm Z140	125	125	125	50	0,50
93683	R CTCG 160 90 0,5 mm Z140	160	160	160	50	0,50
93684	R CTCG 200 90 0,5 mm Z140	200	200	200	50	0,50
93685	R CTCG 250 90 0,5 mm Z140	250	250	250	50	0,50
93686	R CTCG 300 90 0,6 mm Z140	300	300	280	50	0,60
93687	R CTCG 315 90 0,6 mm Z140	315	315	315	50	0,60
93688	R CTCG 355 90 0,6 mm Z140	355	355	355	50	0,60
93689	R CTCG 400 90 0,6 mm Z140	400	400	400	50	0,60
93690	R CTCG 450 90 0,6 mm Z140	450	450	450	50	0,60
93691	R CTCG 500 90 0,7 mm Z140	500	500	500	50	0,70
93692	R CTCG 560 90 0,7 mm Z140	560	560	560	50	0,70
93693	R CTCG 600 90 0,7 mm Z140	600	600	600	50	0,70
93694	R CTCG 630 90 0,7 mm Z140	630	630	630	50	0,70
93695	R CTCG 710 90 0,7 mm Z140	710	710	710	50	0,70
93696	R CTCG 800 90 0,8 mm Z140	800	800	800	50,0	0,80
93697	R CTCG 900 90 0,8 mm Z140	900	900	900	50,0	0,80
93698	R CTCG 1000 90 0,8 mm Z140	1000	1000	1000	50,0	0,80

Note

For the other sizes, please contact the commercial department.



SPIRAL®SYSTEM ROUND VENTILATION DUCTS AND FITTINGS

Segmented bends with gasket

Segmented Bend - 60° R CTCG-60



Description:

Segmented bends are designed for building ventilation systems based on spiral and plain ducts. The segments are fastened by hemming and seaming. The piece is connected with a duct by inserting one into the other.

Used Material:

Galvanized steel DX51, Class Z140.

Note:

The thickness of the galvanized sheet varies depending on the diameter.

Product Code Model

R CTCG 125 60 0,5 mm Z140

Explanation:

- R CTCG** Type
- 125** Diameter d1 [mm]
- 60** Angle α
- 0,5 mm** Thickness δ [mm]
- Z140** Class

SKU	TYPE	Diameter d1 [mm]	Duct length L [mm]	Radius [mm]	A [mm]	Thickness δ [mm]		
93718	R CTCG 125 60 0,5 mm Z140	125	72	125	50	0,50		
93719	R CTCG 160 60 0,5 mm Z140	160	92	160	50	0,50		
93720	R CTCG 200 60 0,5 mm Z140	200	115	200	50	0,50		
93721	R CTCG 250 60 0,5 mm Z140	250	144	250	50	0,50		
93722	R CTCG 300 60 0,6 mm Z140	300	173	280	50	0,60		
93723	R CTCG 315 60 0,6 mm Z140	315	182	315	50	0,60		
93724	R CTCG 355 60 0,6 mm Z140	355	205	355	50	0,60		
93725	R CTCG 400 60 0,6 mm Z140	400	231	400	50	0,60		
93726	R CTCG 450 60 0,6 mm Z140	450	260	450	50	0,60		
93727	R CTCG 500 60 0,7 mm Z140	500	290	500	50	0,70		
93728	R CTCG 560 60 0,7 mm Z140	560	325	560	50	0,70		
93729	R CTCG 600 60 0,7 mm Z140	600	350	600	50	0,70		
93730	R CTCG 630 60 0,7 mm Z140	630	365	630	50	0,70		
93731	R CTCG 710 60 0,7 mm Z140	710	412	710	50	0,70		
93732	R CTCG 800 60 0,8 mm Z140	800	465	800	50	0,80		
93733	R CTCG 900 60 0,8 mm Z140	900	522	900	50	0,80		
93734	R CTCG 1000 60 0,8 mm Z140	1000	580	1000	50	0,80		

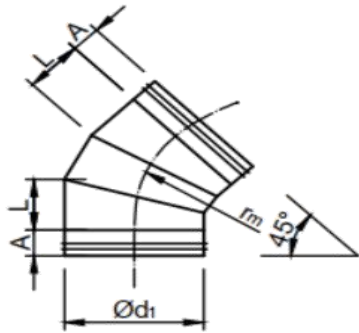
Note

For the other sizes, please contact the commercial department.

SPIRAL® SYSTEM ROUND VENTILATION DUCTS AND FITTINGS

Segmented bends with gasket

Segmented Bend - 45° R CTCG-45



Description:

Segmented bends are designed for building ventilation systems based on spiral and plain ducts. The segments are fastened by hemming and seaming. The piece is connected with a duct by inserting one into the other.

Used Material:

Galvanized steel DX51, Class Z140.

Note:

The thickness of the galvanized sheet varies depending on the diameter.

Product Code Model

R CTCG 125 45 0,5 mm Z140

Explanation:

R CTCG Type

125 Diameter d1 [mm]

45 Angle α

0,5 mm Thickness δ [mm]

Z140 Class

SKU	TYPE	Diameter d1 [mm]	Radius [mm]	A [mm]	Thickness δ [mm]			
93754	R CTCG 125 45 0,5 mm Z140	125	125	50	0,50			
93755	R CTCG 160 45 0,5 mm Z140	160	160	50	0,50			
93756	R CTCG 200 45 0,5 mm Z140	200	200	50	0,50			
93757	R CTCG 250 45 0,5 mm Z140	250	250	50	0,50			
93758	R CTCG 300 45 0,6 mm Z140	300	300	50	0,60			
93759	R CTCG 315 45 0,6 mm Z140	315	315	50	0,60			
93760	R CTCG 355 45 0,6 mm Z140	355	355	50	0,60			
93761	R CTCG 400 45 0,6 mm Z140	400	400	50	0,60			
93762	R CTCG 450 45 0,6 mm Z140	450	450	50	0,60			
93763	R CTCG 500 45 0,7 mm Z140	500	500	50	0,70			
93764	R CTCG 560 45 0,7 mm Z140	560	560	50	0,70			
93765	R CTCG 600 45 0,7 mm Z140	600	600	50	0,70			
93766	R CTCG 630 45 0,7 mm Z140	630	630	50	0,70			
93767	R CTCG 710 45 0,7 mm Z140	710	710	50	0,70			
93768	R CTCG 800 45 0,8 mm Z140	800	800	50	0,80			
93769	R CTCG 900 45 0,8 mm Z140	900	900	50	0,80			
93770	R CTCG 1000 45 0,8 mm Z140	1000	1000	50	0,80			

Note

For the other sizes, please contact the commercial department.

SPIRAL® SYSTEM ROUND VENTILATION DUCTS AND FITTINGS

Segmented bends with gasket

Segmented Bend - 30° R CTCG-30



Description:

Segmented bends are designed for building ventilation systems based on spiral and plain ducts. The segments are fastened by hemming and seaming. The piece is connected with a duct by inserting one into the other.

Used Material:

Galvanized steel DX51, Class Z140.

Note:

The thickness of the galvanized sheet varies depending on the diameter.

Product Code Model

R CTCG 125 30 0,5 mm Z140

Explanation:

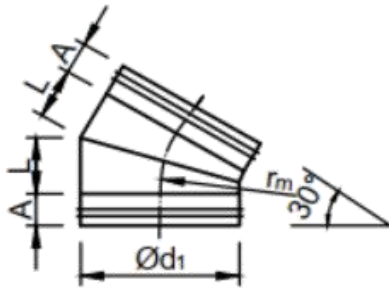
R CTCG Type

125 Diameter d1 [mm]

30 Angle α

0,5 mm Thickness δ [mm]

Z140 Class



SKU	TYPE	Diameter d1 [mm]	Radius [mm]	A [mm]	Thickness δ [mm]			
93790	R CTCG 125 30 0,5 mm Z140	125	125	50	0,50			
93791	R CTCG 160 30 0,5 mm Z140	160	160	50	0,50			
93792	R CTCG 200 30 0,5 mm Z140	200	200	50	0,50			
93793	R CTCG 250 30 0,5 mm Z140	250	250	50	0,50			
93794	R CTCG 300 30 0,6 mm Z140	300	300	50	0,60			
93795	R CTCG 315 30 0,6 mm Z140	315	315	50	0,60			
93796	R CTCG 355 30 0,6 mm Z140	355	355	50	0,60			
93797	R CTCG 400 30 0,6 mm Z140	400	400	50	0,60			
93798	R CTCG 450 30 0,6 mm Z140	450	450	50	0,60			
93799	R CTCG 500 30 0,7 mm Z140	500	500	50	0,70			
93800	R CTCG 560 30 0,7 mm Z140	560	560	50	0,70			
93801	R CTCG 600 30 0,7 mm Z140	600	600	50	0,70			
93802	R CTCG 630 30 0,7 mm Z140	630	630	50	0,70			
93803	R CTCG 710 30 0,7 mm Z140	710	710	50	0,70			
93804	R CTCG 800 30 0,8 mm Z140	800	800	50	0,80			
93805	R CTCG 900 30 0,8 mm Z140	900	900	50	0,80			
93806	R CTCG 1000 30 0,8 mm Z140	1000	1000	50	0,80			

Note

For the other sizes, please contact the commercial department.



SPIRAL® SYSTEM ROUND VENTILATION DUCTS AND FITTINGS

Segmented bends with gasket

Segmented Bend - 15° R CTCG-15



Description:

Segmented bends are designed for building ventilation systems based on spiral and plain ducts. The segments are fastened by hemming and seaming. The piece is connected with a duct by inserting one into the other.

Used Material:

Galvanized steel DX51, Class Z140.

Note:

The thickness of the galvanized sheet varies depending on the diameter.

Product Code Model

R CTCG 125 15 0,5 mm Z140

Explanation:

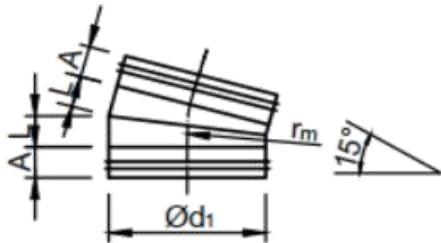
R CTCG Type

125 Diameter d1 [mm]

15 Angle α

0,5 mm Thickness δ [mm]

Z140 Class



SKU	TYPE	Diameter d1 [mm]	Radius [mm]	A [mm]	Thickness δ [mm]			
93826	R CTCG 125 15 0,5 mm Z140	125	125	50	0,50			
93827	R CTCG 160 15 0,5 mm Z140	160	160	50	0,50			
93828	R CTCG 200 15 0,5 mm Z140	200	200	50	0,50			
93829	R CTCG 250 15 0,5 mm Z140	250	250	50	0,50			
93830	R CTCG 300 15 0,6 mm Z140	300	300	50	0,60			
93831	R CTCG 315 15 0,6 mm Z140	315	315	50	0,60			
93832	R CTCG 355 15 0,6 mm Z140	355	355	50	0,60			
93833	R CTCG 400 15 0,6 mm Z140	400	400	50	0,60			
93834	R CTCG 450 15 0,6 mm Z140	450	450	50	0,60			
93835	R CTCG 500 15 0,7 mm Z140	500	500	50	0,70			
93836	R CTCG 560 15 0,7 mm Z140	560	560	50	0,70			
93837	R CTCG 600 15 0,7 mm Z140	600	600	50	0,70			
93838	R CTCG 630 15 0,7 mm Z140	630	630	50	0,70			
93839	R CTCG 710 15 0,7 mm Z140	710	710	50	0,70			
93840	R CTCG 800 15 0,8 mm Z140	800	800	50	0,80			
93841	R CTCG 900 15 0,8 mm Z140	900	900	50	0,80			
93842	R CTCG 1000 15 0,8 mm Z140	1000	1000	50	0,80			

Note

For the other sizes, please contact the commercial department.



SPIRAL® SYSTEM ROUND VENTILATION DUCTS AND FITTINGS

Segmented bends with gasket

Long segmented bend - 90° R CTCEG-90



Description:

Segmented Bend with 90° extended radius.
 Made of galvanised steel sheet.
 Used for changes horizontal, vertical or oblique direction changes.

Used Material:

Galvanized steel DX51, Class Z140.

Note:

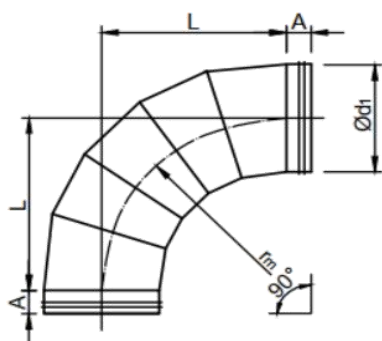
The thickness of the galvanized sheet varies depending on the diameter.

Product Code Model

R CTCEG 125 90 0,5 mm Z140

Explanation:

- R CTCEG** Type
- 125** Diameter d1 [mm]
- 90** Angle α
- 0,5 mm** Thickness δ [mm]
- Z140** Class



SKU	TYPE	Diameter d1 [mm]	Duct length L [mm]	Radius [mm]	A [mm]	Thickness δ [mm]
93872	R CTCEG 125 90 0,5 mm Z140	125	188	188	50	0,50
93873	R CTCEG 160 90 0,5 mm Z140	160	240	240	50	0,50
93874	R CTCEG 200 90 0,5 mm Z140	200	300	300	50	0,50
93875	R CTCEG 250 90 0,5 mm Z140	250	375	375	50	0,50
93876	R CTCEG 300 90 0,6 mm Z140	300	450	450	50	0,60
93877	R CTCEG 315 90 0,6 mm Z140	315	473	473	50	0,60
93878	R CTCEG 355 90 0,6 mm Z140	355	533	533	50	0,60
93879	R CTCEG 400 90 0,6 mm Z140	400	600	600	50	0,60
93880	R CTCEG 450 90 0,6 mm Z140	450	675	675	50	0,60
93881	R CTCEG 500 90 0,7 mm Z140	500	750	750	50	0,70
93882	R CTCEG 560 90 0,7 mm Z140	560	840	840	50	0,70
93883	R CTCEG 600 90 0,7 mm Z140	600	900	900	50	0,70
93884	R CTCEG 630 90 0,7 mm Z140	630	945	945	50	0,70
93885	R CTCEG 710 90 0,7 mm Z140	710	1065	1065	50	0,70
93886	R CTCEG 800 90 0,8 mm Z140	800	1200	1200	50	0,80
93887	R CTCEG 900 90 0,8 mm Z140	900	1350	1350	50	0,80
93888	R CTCEG 1000 90 0,8 mm Z140	1000	1500	1500	50	0,80

Note

For the other sizes, please contact the commercial department.

SPIRAL® SYSTEM ROUND VENTILATION DUCTS AND FITTINGS

Segmented bends with gasket

Segmented Bend - 90° with a cleaning nozzle



Description:

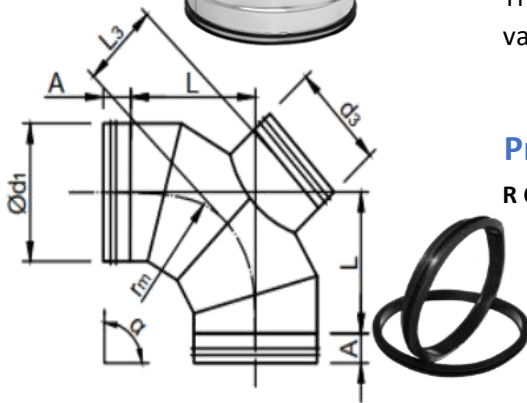
Segmented and lockseamed bend with separate branch for cleaning. The stud is fitted with a Safe take-off and fits an inspection cap.

Used Material:

Galvanized steel DX51, Class Z140.

Note:

The thickness of the galvanized sheet varies depending on the diameter.



Product Code Model

R CTCRCG-90 300 250 0,6 mm Z140

Explanation:

R CTCRCG Type

90 Angle α

300 Diameter d1 [mm]

250 Diameter d3 [mm]

0,6 mm Thickness δ [mm]

Z140 Class

SKU	TYPE	Diameter d1 [mm]	Diameter d3 [mm]	Radius [mm]	L [mm]	L 3 [mm]	
93843	R CTCRCG-90 300 250 0,6 mm Z140	300	250	300	300	0,60	
93844	R CTCRCG-90 315 250 0,6 mm Z140	315	250	315	315	0,60	
93845	R CTCRCG-90 315 315 0,6 mm Z140	315	315	315	315	0,60	
93846	R CTCRCG-90 400 315 0,6 mm Z140	400	315	400	400	0,60	
93847	R CTCRCG-90 400 400 0,6 mm Z140	400	400	400	400	0,60	

Note

For the other sizes, please contact the commercial department.



SPIRAL® SYSTEM ROUND VENTILATION DUCTS AND FITTINGS

Segmented Bend 90° with side connection for cleaning

Segmented bends with gasket



Description:

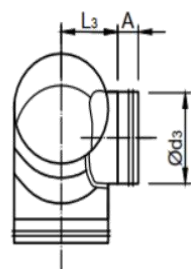
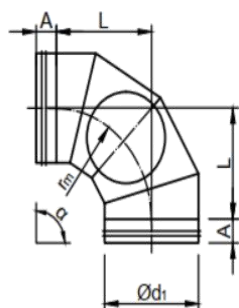
Segmented and lockseamed bend with separate branch for cleaning. The stud is fitted with a Safe take-off and fits an inspection cap.

Used Material:

Otel galvanizat DX51, Class Z100

Note:

The thickness of the galvanized sheet varies depending on the diameter.



Product Code Model

R CTCRCLG-90 300 250 0,6 mm Z140



Explanation:

R CTCRCL Type

90 Angle α

300 Diameter d1 [mm]

250 Diameter d3 [mm]

0,6 mm Thickness δ [mm]

Z140 Class

SKU	TYPE	Diameter d1 [mm]	Diameter d3 [mm]	Radius [mm]	L [mm]	L 3 [mm]	
93848	R CTCRCLG-90 300 250 0,6 mm Z140	300	250	300	300	0,60	
93849	R CTCRCLG-90 315 250 0,6 mm Z140	315	250	315	315	0,60	
93850	R CTCRCLG-90 315 315 0,6 mm Z140	315	315	315	315	0,60	
93851	R CTCRCLG-90 400 315 0,6 mm Z140	400	315	400	400	0,60	
93852	R CTCRCLG-90 400 400 0,6 mm Z140	400	400	400	400	0,60	

Note

For the other sizes, please contact the commercial department.

SPIRAL® SYSTEM ROUND VENTILATION DUCTS AND FITTINGS

Circular reductions with gasket

Reducer R RCSG



Description:

Symmetrical circular reduction. It is used for the transition from one diameter to another.

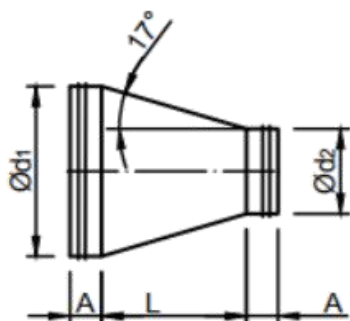
It is made of bright galvanized steel sheet.

Used Material:

Galvanized steel DX51, Class Z140.

Note:

The thickness of the galvanized sheet varies depending on the diameter.



Product Code Model

R RCSG 160 125 0,5 mm Z140

Explanation:

R RCSG Type

160 Diameter d1 [mm]

125 Diameter d2 [mm]

0,5 mm Thickness δ [mm]

Z140 Class

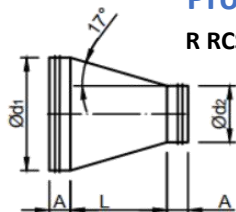
SKU	TYPE	Diameter d1 [mm]	Diameter d2 [mm]	L [mm]	A [mm]	Thickness δ [mm]
93993	R RCSG 160 125 0,5 mm Z140	160	125	57	50	0,50
93994	R RCSG 200 125 0,5 mm Z140	200	125	123	50	0,50
93995	R RCSG 200 160 0,5 mm Z140	200	160	65	50	0,50
93996	R RCSG 250 125 0,5 mm Z140	250	125	204	50	0,50
93997	R RCSG 250 160 0,5 mm Z140	250	160	147	50	0,50
93998	R RCSG 250 200 0,5 mm Z140	250	200	82	50	0,50
93999	R RCSG 300 125 0,6 mm Z140	300	125	286	50	0,60
94000	R RCSG 300 160 0,6 mm Z140	300	160	229	50	0,60
94001	R RCSG 300 200 0,6 mm Z140	300	200	164	50	0,60
94002	R RCSG 300 250 0,6 mm Z140	300	250	82	50	0,60
94003	R RCSG 315 125 0,6 mm Z140	315	125	311	50	0,60
94004	R RCSG 315 160 0,6 mm Z140	315	160	254	50	0,60
94005	R RCSG 315 200 0,6 mm Z140	315	200	188	50	0,60
94006	R RCSG 315 250 0,6 mm Z140	315	250	106	50	0,60
94007	R RCSG 315 300 0,6 mm Z140	315	300	50	50	0,60
94008	R RCSG 355 160 0,6 mm Z140	355	160	319	50	0,60
94009	R RCSG 355 200 0,6 mm Z140	355	200	254	50	0,60
94010	R RCSG 355 250 0,6 mm Z140	355	250	172	50	0,60
94011	R RCSG 355 300 0,6 mm Z140	355	300	90	50	0,60
94012	R RCSG 355 315 0,6 mm Z140	355	315	65	50	0,60
94013	R RCSG 400 160 0,6 mm Z140	400	160	393	50	0,60
94014	R RCSG 400 200 0,6 mm Z140	400	200	327	50	0,60
94015	R RCSG 400 250 0,6 mm Z140	400	250	245	50	0,60
94016	R RCSG 400 300 0,6 mm Z140	400	300	164	50	0,60
94017	R RCSG 400 315 0,6 mm Z140	400	315	139	50	0,60
94018	R RCSG 400 355 0,6 mm Z140	400	355	74	50	0,60

Note

For the other sizes, please contact the commercial department.

SPIRAL®SYSTEM ROUND VENTILATION DUCTS AND FITTINGS

Reducer R RCSG



Product Code Model

R RCSG 450 200 0,6 mm Z140



Circular reductions with gasket

Explanation:

- R RCSG** Type
- 450** Diameter d1 [mm]
- 200** Diameter d2 [mm]
- 0,6 mm** Thickness δ [mm]
- Z140** Class

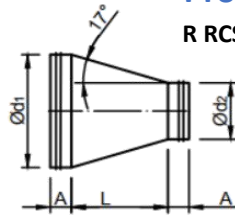
SKU	TYPE	Diameter d1 [mm]	Diameter d2 [mm]	L [mm]	A [mm]	Thickness δ [mm]
94019	R RCSG 450 200 0,6 mm Z140	450	200	409	50	0,60
94020	R RCSG 450 250 0,6 mm Z140	450	250	327	50	0,60
94021	R RCSG 450 300 0,6 mm Z140	450	300	245	50	0,60
94022	R RCSG 450 315 0,6 mm Z140	450	315	221	50	0,60
94023	R RCSG 450 355 0,6 mm Z140	450	355	155	50	0,60
94024	R RCSG 450 400 0,6 mm Z140	450	400	82	50	0,60
94025	R RCSG 500 200 0,7 mm Z140	500	200	491	50	0,70
94026	R RCSG 500 250 0,7 mm Z140	500	250	409	50	0,70
94027	R RCSG 500 300 0,7 mm Z140	500	300	327	50	0,70
94028	R RCSG 500 315 0,7 mm Z140	500	315	303	50	0,70
94029	R RCSG 500 355 0,7 mm Z140	500	355	237	50	0,70
94030	R RCSG 500 400 0,7 mm Z140	500	400	164	50	0,70
94031	R RCSG 500 450 0,7 mm Z140	500	450	82	50	0,70
94032	R RCSG 560 250 0,7 mm Z140	560	250	507	50	0,70
94033	R RCSG 560 300 0,7 mm Z140	560	300	425	50	0,70
94034	R RCSG 560 315 0,7 mm Z140	560	315	401	50	0,70
94035	R RCSG 560 355 0,7 mm Z140	560	355	335	50	0,70
94036	R RCSG 560 400 0,7 mm Z140	560	400	262	50	0,70
94037	R RCSG 560 450 0,7 mm Z140	560	450	180	50	0,70
94038	R RCSG 560 500 0,7 mm Z140	560	500	98	50	0,70
94039	R RCSG 600 250 0,7 mm Z140	600	250	572	50	0,70
94040	R RCSG 600 300 0,7 mm Z140	600	300	491	50	0,70
94041	R RCSG 600 315 0,7 mm Z140	600	315	466	50	0,70
94042	R RCSG 600 355 0,7 mm Z140	600	355	401	50	0,70
94043	R RCSG 600 400 0,7 mm Z140	600	400	327	50	0,70
94044	R RCSG 600 450 0,7 mm Z140	600	450	245	50	0,70
94045	R RCSG 600 500 0,7 mm Z140	600	500	164	50	0,70
94046	R RCSG 600 560 0,7 mm Z140	600	560	65	50	0,70
94047	R RCSG 630 250 0,7 mm Z140	630	250	622	50	0,70
94048	R RCSG 630 300 0,7 mm Z140	630	300	540	50	0,70
94049	R RCSG 630 315 0,7 mm Z140	630	315	515	50	0,70
94050	R RCSG 630 355 0,7 mm Z140	630	355	450	50	0,70
94051	R RCSG 630 400 0,7 mm Z140	630	400	376	50	0,70
94052	R RCSG 630 450 0,7 mm Z140	630	450	294	50	0,70
94053	R RCSG 630 500 0,7 mm Z140	630	500	213	50	0,70

Note

For the other sizes, please contact the commercial department.

SPIRAL®SYSTEM ROUND VENTILATION DUCTS AND FITTINGS

Reducer R RCSG



Product Code Model

R RCSG 630 560 0,7 mm Z140



Circular reductions with gasket

Explanation:

R RCSG Type

630 Diameter d1 [mm]

560 Diameter d2 [mm]

0,7 mm Thickness δ [mm]

Z140 Class

SKU	TYPE	Diameter d1 [mm]	Diameter d2 [mm]	L [mm]	A [mm]	Thickness δ [mm]
94054	R RCSG 630 560 0,7 mm Z140	630	560	114	50	0,70
94055	R RCSG 630 600 0,7 mm Z140	630	600	49	50	0,70
94056	R RCSG 710 355 0,7 mm Z140	710	355	581	50	0,70
94057	R RCSG 710 400 0,7 mm Z140	710	400	507	50	0,70
94058	R RCSG 710 450 0,7 mm Z140	710	450	425	50	0,70
94059	R RCSG 710 500 0,7 mm Z140	710	500	343	50	0,70
94060	R RCSG 710 560 0,7 mm Z140	710	560	245	50	0,70
94061	R RCSG 710 600 0,7 mm Z140	710	600	180	50	0,70
94062	R RCSG 710 630 0,7 mm Z140	710	630	131	50	0,70
94063	R RCSG 800 400 0,8 mm Z140	800	400	654	50	0,80
94064	R RCSG 800 450 0,8 mm Z140	800	450	572	50	0,80
94065	R RCSG 800 500 0,8 mm Z140	800	500	491	50	0,80
94066	R RCSG 800 560 0,8 mm Z140	800	560	393	50	0,80
94067	R RCSG 800 600 0,8 mm Z140	800	600	327	50	0,80
94068	R RCSG 800 630 0,8 mm Z140	800	630	278	50	0,80
94069	R RCSG 800 710 0,8 mm Z140	800	710	147	50	0,80
94070	R RCSG 900 450 0,8 mm Z140	900	450	736	50	0,80
94071	R RCSG 900 500 0,8 mm Z140	900	500	654	50	0,80
94072	R RCSG 900 560 0,8 mm Z140	900	560	556	50	0,80
94073	R RCSG 900 600 0,8 mm Z140	900	600	491	50	0,80
94074	R RCSG 900 630 0,8 mm Z140	900	630	442	50	0,80
94075	R RCSG 900 710 0,8 mm Z140	900	710	311	50	0,80
94076	R RCSG 900 800 0,8 mm Z140	900	800	164	50	0,80
94077	R RCSG 1000 500 0,8 mm Z140	1000	500	818	50	0,80
94078	R RCSG 1000 560 0,8 mm Z140	1000	560	720	50	0,80
94079	R RCSG 1000 600 0,8 mm Z140	1000	600	654	50	0,80
94080	R RCSG 1000 630 0,8 mm Z140	1000	630	605	50	0,80
94081	R RCSG 1000 710 0,8 mm Z140	1000	710	474	50	0,80
94082	R RCSG 1000 800 0,8 mm Z140	1000	800	327	50	0,80
94083	R RCSG 1000 900 0,8 mm Z140	1000	900	164	50	0,80

Note

For the other sizes, please contact the commercial department.

SPIRAL® SYSTEM ROUND VENTILATION DUCTS AND FITTINGS

Circular reductions with gasket

Eccentric reducer R RCDG



Description:

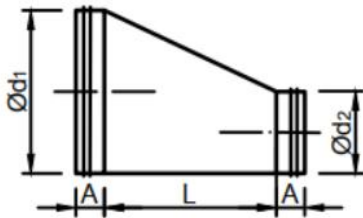
Eccentric reducers are known as a reducers with one flat side, therefore they are used when the ductwork is supposed to be installed tight to the ceiling slab or onto the wall.

Used Material:

Galvanized steel DX51, Class Z140.

Note:

The thickness of the galvanized sheet varies depending on the diameter.



Product Code Model

R RCDG 160 125 0,5 mm Z140

Explanation:

R RCDG Type

160 Diameter d1 [mm]

125 Diameter d2 [mm]

0,5 mm Thickness δ [mm]

Z140 Class

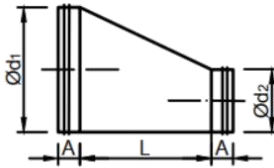
SKU	TYPE	Diameter d1 [mm]	Diameter d2 [mm]	L [mm]	A [mm]	Thickness δ [mm]
94188	R RCDG 160 125 0,5 mm Z140	160	125	50	50	0,50
94189	R RCDG 200 125 0,5 mm Z140	200	125	107	50	0,50
94190	R RCDG 200 160 0,5 mm Z140	200	160	57	50	0,50
94191	R RCDG 250 125 0,5 mm Z140	250	125	179	50	0,50
94192	R RCDG 250 160 0,5 mm Z140	250	160	129	50	0,50
94193	R RCDG 250 200 0,5 mm Z140	250	200	71	50	0,50
94194	R RCDG 300 125 0,6 mm Z140	300	125	250	50	0,60
94195	R RCDG 300 160 0,6 mm Z140	300	160	200	50	0,60
94196	R RCDG 300 200 0,6 mm Z140	300	200	143	50	0,60
94197	R RCDG 300 250 0,6 mm Z140	300	250	50	50	0,60
94198	R RCDG 315 125 0,6 mm Z140	315	125	271	50	0,60
94199	R RCDG 315 160 0,6 mm Z140	315	160	221	50	0,60
94200	R RCDG 315 200 0,6 mm Z140	315	200	164	50	0,60
94201	R RCDG 315 250 0,6 mm Z140	315	250	93	50	0,60
94202	R RCDG 315 300 0,6 mm Z140	315	300	50	50	0,60
94203	R RCDG 355 160 0,6 mm Z140	355	160	278	50	0,60
94204	R RCDG 355 200 0,6 mm Z140	355	200	221	50	0,60
94205	R RCDG 355 250 0,6 mm Z140	355	250	150	50	0,60
94206	R RCDG 355 300 0,6 mm Z140	355	300	79	50	0,60
94207	R RCDG 355 315 0,6 mm Z140	355	315	57	50	0,60
94208	R RCDG 400 160 0,6 mm Z140	400	160	343	50	0,60
94209	R RCDG 400 200 0,6 mm Z140	400	200	286	50	0,60
94210	R RCDG 400 250 0,6 mm Z140	400	250	214	50	0,60
94211	R RCDG 400 300 0,6 mm Z140	400	300	143	50	0,60
94212	R RCDG 400 315 0,6 mm Z140	400	315	121	50	0,60
94213	R RCDG 400 355 0,6 mm Z140	400	355	64	50	0,60

Note

For the other sizes, please contact the commercial department.

SPIRAL®SYSTEM ROUND VENTILATION DUCTS AND FITTINGS

Eccentric reducer R RCDG



Product Code Model

R RCDG 450 200 0,6 mm Z140



Circular reductions with gasket

Explanation:

R RCDG Type

450 Diameter d1 [mm]

200 Diameter d2 [mm]

0,6 mm Thickness δ [mm]

Z140 Class

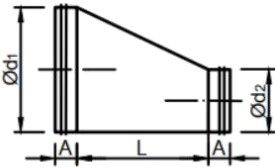
SKU	TYPE	Diameter d1 [mm]	Diameter d2 [mm]	L [mm]	A [mm]	Thickness δ [mm]	
94214	R RCDG 450 200 0,6 mm Z140	450	200	357	50	0,60	
94215	R RCDG 450 250 0,6 mm Z140	450	250	286	50	0,60	
94216	R RCDG 450 300 0,6 mm Z140	450	300	214	50	0,60	
94217	R RCDG 450 315 0,6 mm Z140	450	315	193	50	0,60	
94218	R RCDG 450 355 0,6 mm Z140	450	355	136	50	0,60	
94219	R RCDG 450 400 0,6 mm Z140	450	400	71	50	0,60	
94220	R RCDG 500 200 0,7 mm Z140	500	200	428	50	0,70	
94221	R RCDG 500 250 0,7 mm Z140	500	250	357	50	0,70	
94222	R RCDG 500 300 0,7 mm Z140	500	300	286	50	0,70	
94223	R RCDG 500 315 0,7 mm Z140	500	315	264	50	0,70	
94224	R RCDG 500 355 0,7 mm Z140	500	355	207	50	0,70	
94225	R RCDG 500 400 0,7 mm Z140	500	400	143	50	0,70	
94226	R RCDG 500 450 0,7 mm Z140	500	450	71	50	0,70	
94227	R RCDG 560 250 0,7 mm Z140	560	250	443	50	0,70	
94228	R RCDG 560 300 0,7 mm Z140	560	300	371	50	0,70	
94229	R RCDG 560 315 0,7 mm Z140	560	315	350	50	0,70	
94230	R RCDG 560 355 0,7 mm Z140	560	355	293	50	0,70	
94231	R RCDG 560 400 0,7 mm Z140	560	400	229	50	0,70	
94232	R RCDG 560 450 0,7 mm Z140	560	450	157	50	0,70	
94233	R RCDG 560 500 0,7 mm Z140	560	500	86	50	0,70	
94234	R RCDG 600 250 0,7 mm Z140	600	250	500	50	0,70	
94235	R RCDG 600 300 0,7 mm Z140	600	300	428	50	0,70	
94236	R RCDG 600 315 0,7 mm Z140	600	315	407	50	0,70	
94237	R RCDG 600 355 0,7 mm Z140	600	355	350	50	0,70	
94238	R RCDG 600 400 0,7 mm Z140	600	400	286	50	0,70	
94239	R RCDG 600 450 0,7 mm Z140	600	450	214	50	0,70	
94240	R RCDG 600 500 0,7 mm Z140	600	500	143	50	0,70	
94241	R RCDG 600 560 0,7 mm Z140	600	560	57	50	0,70	
94242	R RCDG 630 250 0,7 mm Z140	630	250	543	50	0,70	
94243	R RCDG 630 300 0,7 mm Z140	630	300	471	50	0,70	
94244	R RCDG 630 315 0,7 mm Z140	630	315	450	50	0,70	
94245	R RCDG 630 355 0,7 mm Z140	630	355	393	50	0,70	
94246	R RCDG 630 400 0,7 mm Z140	630	400	328	50	0,70	
94247	R RCDG 630 450 0,7 mm Z140	630	450	257	50	0,70	
94248	R RCDG 630 500 0,7 mm Z140	630	500	186	50	0,70	

Note

For the other sizes, please contact the commercial department.

SPIRAL®SYSTEM ROUND VENTILATION DUCTS AND FITTINGS

Eccentric reducer R RCDG



Product Code Model

R RCDG 630 560 0,7 mm Z140



Circular reductions with gasket

Explanation:

R RCDG Type

630 Diameter d1 [mm]

560 Diameter d2 [mm]

0,7 mm Thickness δ [mm]

Z140 Class

SKU	TYPE	Diameter d1 [mm]	Diameter d2 [mm]	L [mm]	A [mm]	Thickness δ [mm]
94249	R RCDG 630 560 0,7 mm Z140	630	560	100	50	0,70
94250	R RCDG 630 600 0,7 mm Z140	630	600	50	50	0,70
94251	R RCDG 710 355 0,7 mm Z140	710	355	507	50	0,70
94252	R RCDG 710 400 0,7 mm Z140	710	400	443	50	0,70
94253	R RCDG 710 450 0,7 mm Z140	710	450	371	50	0,70
94254	R RCDG 710 500 0,7 mm Z140	710	500	300	50	0,70
94255	R RCDG 710 560 0,7 mm Z140	710	560	214	50	0,70
94256	R RCDG 710 600 0,7 mm Z140	710	600	157	50	0,70
94257	R RCDG 710 630 0,7 mm Z140	710	630	114	50	0,70
94258	R RCDG 800 400 0,8 mm Z140	800	400	571	50	0,80
94259	R RCDG 800 450 0,8 mm Z140	800	450	500	50	0,80
94260	R RCDG 800 500 0,8 mm Z140	800	500	428	50	0,80
94261	R RCDG 800 560 0,8 mm Z140	800	560	343	50	0,80
94262	R RCDG 800 600 0,8 mm Z140	800	600	286	50	0,80
94263	R RCDG 800 630 0,8 mm Z140	800	630	243	50	0,80
94264	R RCDG 800 710 0,8 mm Z140	800	710	129	50	0,80
94265	R RCDG 900 450 0,8 mm Z140	900	450	643	50	0,80
94266	R RCDG 900 500 0,8 mm Z140	900	500	571	50	0,80
94267	R RCDG 900 560 0,8 mm Z140	900	560	486	50	0,80
94268	R RCDG 900 600 0,8 mm Z140	900	600	428	50	0,80
94269	R RCDG 900 630 0,8 mm Z140	900	630	386	50	0,80
94270	R RCDG 900 710 0,8 mm Z140	900	710	271	50	0,80
94271	R RCDG 900 800 0,8 mm Z140	900	800	143	50	0,80
94272	R RCDG 1000 500 0,8 mm Z140	1000	500	714	50	0,80
94273	R RCDG 1000 560 0,8 mm Z140	1000	560	628	50	0,80
94274	R RCDG 1000 600 0,8 mm Z140	1000	600	571	50	0,80
94275	R RCDG 1000 630 0,8 mm Z140	1000	630	528	50	0,80
94276	R RCDG 1000 710 0,8 mm Z140	1000	710	414	50	0,80
94277	R RCDG 1000 800 0,8 mm Z140	1000	800	286	50	0,80
94278	R RCDG 1000 900 0,8 mm Z140	1000	900	143	50	0,80

Note

For the other sizes, please contact the commercial department.



SPIRAL® SYSTEM ROUND VENTILATION DUCTS AND FITTINGS

Circular reductions with gasket

Short Eccentric segmented reducer R RSEG



Description:

Segmented reducers have end caps with a part of a smaller diameter than the flat body diameter.

Used Material:

Galvanized steel DX51, Class Z140.

Note:

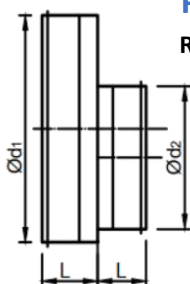
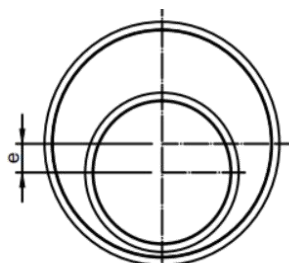
The thickness of the galvanized sheet varies depending on the diameter.

Product Code Model

R RSEG 160 125 0,5 mm Z140

Explanation:

R RSEG Type
160 Diameter d1 [mm]
125 Diameter d2 [mm]
0,5 mm Thickness δ [mm]
Z140 Class



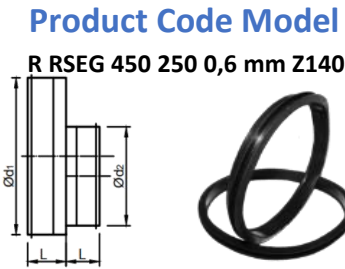
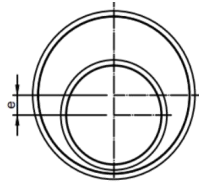
SKU	TYPE	Diameter d1 [mm]	Diameter d2 [mm]	L [mm]	e [mm]	Thickness δ [mm]
94382	R RSEG 160 125 0,5 mm Z140	160	125	50	7,5	0,50
94383	R RSEG 200 125 0,5 mm Z140	200	125	50	27,5	0,50
94384	R RSEG 200 160 0,5 mm Z140	200	160	50	10	0,50
94385	R RSEG 250 125 0,5 mm Z140	250	125	50	52,5	0,50
94386	R RSEG 250 160 0,5 mm Z140	250	160	50	35	0,50
94387	R RSEG 250 200 0,5 mm Z140	250	200	50	15	0,50
94388	R RSEG 300 125 0,6 mm Z140	300	125	50	77,5	0,60
94389	R RSEG 300 160 0,6 mm Z140	300	160	50	60	0,60
94390	R RSEG 300 200 0,6 mm Z140	300	200	50	40	0,60
94391	R RSEG 300 250 0,6 mm Z140	300	250	50	15	0,60
94392	R RSEG 315 125 0,6 mm Z140	315	125	50	85	0,60
94393	R RSEG 315 160 0,6 mm Z140	315	160	50	67,5	0,60
94394	R RSEG 315 200 0,6 mm Z140	315	200	50	47,5	0,60
94395	R RSEG 315 250 0,6 mm Z140	315	250	50	22,5	0,60
94396	R RSEG 355 160 0,6 mm Z140	355	160	50	87,5	0,60
94397	R RSEG 355 200 0,6 mm Z140	355	200	50	67,5	0,60
94398	R RSEG 355 250 0,6 mm Z140	355	250	50	42,5	0,60
94399	R RSEG 355 300 0,6 mm Z140	355	300	50	17,5	0,60
94400	R RSEG 355 315 0,6 mm Z140	355	315	50	10	0,60
94401	R RSEG 400 160 0,6 mm Z140	400	160	50	110	0,60
94402	R RSEG 400 200 0,6 mm Z140	400	200	50	90	0,60
94403	R RSEG 400 250 0,6 mm Z140	400	250	50	65	0,60
94404	R RSEG 400 300 0,6 mm Z140	400	300	50	50	0,60
94405	R RSEG 400 315 0,6 mm Z140	400	315	50	32,5	0,60
94406	R RSEG 400 355 0,6 mm Z140	400	355	50	12,5	0,60
94407	R RSEG 450 200 0,6 mm Z140	450	200	50	115	0,60

Note

For the other sizes, please contact the commercial department.

SPIRAL®SYSTEM ROUND VENTILATION DUCTS AND FITTINGS

Short Eccentric segmented reducer R RSEG



Product Code Model

R RSEG 450 250 0,6 mm Z140

Circular reductions with gasket

Explanation:

R RSEG Type

450 Diameter d1 [mm]

250 Diameter d2 [mm]

0,6 mm Thickness δ [mm]

Z140 Class

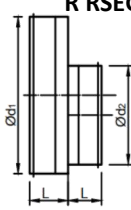
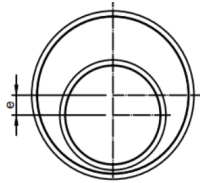
SKU	TYPE	Diameter d1 [mm]	Diameter d2 [mm]	L [mm]	e [mm]	Thickness δ [mm]
94408	R RSEG 450 250 0,6 mm Z140	450	250	50	90	0,60
94409	R RSEG 450 300 0,6 mm Z140	450	300	50	65	0,60
94410	R RSEG 450 315 0,6 mm Z140	450	315	50	58	0,60
94411	R RSEG 450 355 0,6 mm Z140	450	355	50	38	0,60
94412	R RSEG 450 400 0,6 mm Z140	450	400	50	15	0,60
94413	R RSEG 500 200 0,7 mm Z140	500	200	50	140	0,70
94414	R RSEG 500 250 0,7 mm Z140	500	250	50	115	0,70
94415	R RSEG 500 300 0,7 mm Z140	500	300	50	90	0,70
94416	R RSEG 500 315 0,7 mm Z140	500	315	50	83	0,70
94417	R RSEG 500 355 0,7 mm Z140	500	355	50	63	0,70
94418	R RSEG 500 400 0,7 mm Z140	500	400	50	40	0,70
94419	R RSEG 500 450 0,7 mm Z140	500	450	50	15	0,70
94420	R RSEG 560 250 0,7 mm Z140	560	250	50	145	0,70
94421	R RSEG 560 300 0,7 mm Z140	560	300	50	120	0,70
94422	R RSEG 560 315 0,7 mm Z140	560	315	50	113	0,70
94423	R RSEG 560 355 0,7 mm Z140	560	355	50	93	0,70
94424	R RSEG 560 400 0,7 mm Z140	560	400	50	70	0,70
94425	R RSEG 560 450 0,7 mm Z140	560	450	50	45	0,70
94426	R RSEG 560 500 0,7 mm Z140	560	500	50	20	0,70
94427	R RSEG 600 250 0,7 mm Z140	600	250	50	165	0,70
94428	R RSEG 600 300 0,7 mm Z140	600	300	50	140	0,70
94429	R RSEG 600 315 0,7 mm Z140	600	315	50	133	0,70
94430	R RSEG 600 355 0,7 mm Z140	600	355	50	113	0,70
94431	R RSEG 600 400 0,7 mm Z140	600	400	50	90	0,70
94432	R RSEG 600 450 0,7 mm Z140	600	450	50	65	0,70
94433	R RSEG 600 500 0,7 mm Z140	600	500	50	40	0,70
94434	R RSEG 600 560 0,7 mm Z140	600	560	50	10	0,70
94435	R RSEG 630 250 0,7 mm Z140	630	250	50	180	0,70
94436	R RSEG 630 300 0,7 mm Z140	630	300	50	155	0,70
94437	R RSEG 630 315 0,7 mm Z140	630	315	50	148	0,70
94438	R RSEG 630 355 0,7 mm Z140	630	355	50	128	0,70
94439	R RSEG 630 400 0,7 mm Z140	630	400	50	105	0,70
94440	R RSEG 630 450 0,7 mm Z140	630	450	50	80	0,70
94441	R RSEG 630 500 0,7 mm Z140	630	500	50	55	0,70
94442	R RSEG 630 560 0,7 mm Z140	630	560	50	25	0,70
94443	R RSEG 630 600 0,7 mm Z140	630	600	50	5	0,70

Note

For the other sizes, please contact the commercial department.

SPIRAL®SYSTEM ROUND VENTILATION DUCTS AND FITTINGS

Short Eccentric segmented reducer R RSEG



Product Code Model

R RSEG 710 355 0,7 mm Z140

Circular reductions with gasket

Explanation:

R RSEG Type

710 Diameter d1 [mm]

355 Diameter d2 [mm]

0,7 mm Thickness δ [mm]

Z140 Class

SKU	TYPE	Diameter d1 [mm]	Diameter d2 [mm]	L [mm]	e [mm]	Thickness δ [mm]
94444	R RSEG 710 355 0,7 mm Z140	710	355	50,0	167,5	0,70
94445	R RSEG 710 400 0,7 mm Z140	710	400	50,0	145	0,70
94446	R RSEG 710 450 0,7 mm Z140	710	450	50,0	120	0,70
94447	R RSEG 710 500 0,7 mm Z140	710	500	50,0	95	0,70
94448	R RSEG 710 560 0,7 mm Z140	710	560	50,0	65	0,70
94449	R RSEG 710 600 0,7 mm Z140	710	600	50,0	45	0,70
94450	R RSEG 710 630 0,7 mm Z140	710	630	50,0	30	0,70
94451	R RSEG 800 400 0,8 mm Z140	800	400	50,0	190	0,80
94452	R RSEG 800 450 0,8 mm Z140	800	450	50,0	165	0,80
94453	R RSEG 800 500 0,8 mm Z140	800	500	50,0	140	0,80
94454	R RSEG 800 560 0,8 mm Z140	800	560	50,0	110	0,80
94455	R RSEG 800 600 0,8 mm Z140	800	600	50,0	90	0,80
94456	R RSEG 800 630 0,8 mm Z140	800	630	50,0	75	0,80
94457	R RSEG 800 710 0,8 mm Z140	800	710	50,0	35	0,80
94458	R RSEG 900 450 0,8 mm Z140	900	450	50,0	215	0,80
94459	R RSEG 900 500 0,8 mm Z140	900	500	50,0	190	0,80
94460	R RSEG 900 560 0,8 mm Z140	900	560	50,0	160	0,80
94461	R RSEG 900 600 0,8 mm Z140	900	600	50,0	140	0,80
94462	R RSEG 900 630 0,8 mm Z140	900	630	50,0	125	0,80
94463	R RSEG 900 710 0,8 mm Z140	900	710	50,0	85	0,80
94464	R RSEG 900 800 0,8 mm Z140	900	800	50,0	40	0,80
94465	R RSEG 1000 500 0,8 mm Z140	1000	500	50,0	240	0,80
94466	R RSEG 1000 560 0,8 mm Z140	1000	560	50,0	210	0,80
94467	R RSEG 1000 600 0,8 mm Z140	1000	600	50,0	190	0,80
94468	R RSEG 1000 630 0,8 mm Z140	1000	630	50,0	175	0,80
94469	R RSEG 1000 710 0,8 mm Z140	1000	710	50,0	135	0,80
94470	R RSEG 1000 800 0,8 mm Z140	1000	800	50,0	90	0,80
94471	R RSEG 1000 900 0,8 mm Z140	1000	900	50,0	40	0,80

Note

For the other sizes, please contact the commercial department.



SPIRAL® SYSTEM ROUND VENTILATION DUCTS AND FITTINGS

Circular reductions with gasket

Short Concentric segmented reducer R RSSG



Description:

Segmented reducers have end caps with a part of a smaller diameter than the flat body diameter.

Used Material:

Galvanized steel DX51, Class Z140.

Note:

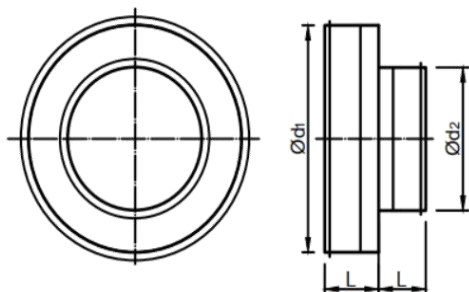
The thickness of the galvanized sheet varies depending on the diameter.

Product Code Model

R RSSG 160 125 0,5 mm Z140

Explanation:

R RSSG Type
160 Diameter d1 [mm]
125 Diameter d2 [mm]
0,5 mm Thickness δ [mm]
Z140 Class



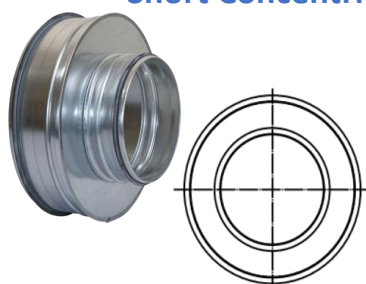
SKU	TYPE	Diameter d1 [mm]	Diameter d2 [mm]	L [mm]	Thickness δ [mm]
94575	R RSSG 160 125 0,5 mm Z140	160	125	50	0,50
94576	R RSSG 200 125 0,5 mm Z140	200	125	50	0,50
94577	R RSSG 200 160 0,5 mm Z140	200	160	50	0,50
94578	R RSSG 250 125 0,5 mm Z140	250	125	50	0,50
94579	R RSSG 250 160 0,5 mm Z140	250	160	50	0,50
94580	R RSSG 250 200 0,5 mm Z140	250	200	50	0,50
94581	R RSSG 300 125 0,6 mm Z140	300	125	50	0,60
94582	R RSSG 300 160 0,6 mm Z140	300	160	50	0,60
94583	R RSSG 300 200 0,6 mm Z140	300	200	50	0,60
94584	R RSSG 300 250 0,6 mm Z140	300	250	50	0,60
94585	R RSSG 315 125 0,6 mm Z140	315	125	50	0,60
94586	R RSSG 315 160 0,6 mm Z140	315	160	50	0,60
94587	R RSSG 315 200 0,6 mm Z140	315	200	50	0,60
94588	R RSSG 315 250 0,6 mm Z140	315	250	50	0,60
94589	R RSSG 355 160 0,6 mm Z140	355	160	50	0,60
94590	R RSSG 355 200 0,6 mm Z140	355	200	50	0,60
94591	R RSSG 355 250 0,6 mm Z140	355	250	50	0,60
94592	R RSSG 355 300 0,6 mm Z140	355	300	50	0,60
94593	R RSSG 355 315 0,6 mm Z140	355	315	50	0,60
94594	R RSSG 400 160 0,6 mm Z140	400	160	50	0,60
94595	R RSSG 400 200 0,6 mm Z140	400	200	50	0,60
94596	R RSSG 400 250 0,6 mm Z140	400	250	50	0,60
94597	R RSSG 400 300 0,6 mm Z140	400	300	50	0,60
94598	R RSSG 400 315 0,6 mm Z140	400	315	50	0,60
94599	R RSSG 400 355 0,6 mm Z140	400	355	50	0,60
94600	R RSSG 450 200 0,6 mm Z140	450	200	50	0,60

Note

For the other sizes, please contact the commercial department.

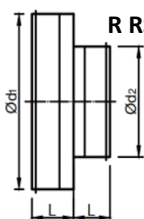
SPIRAL®SYSTEM ROUND VENTILATION DUCTS AND FITTINGS

Short Concentric segmented reducer R RSSG



Product Code Model

R RSSG 450 250 0,6 mm Z140



Circular reductions with gasket

Explanation:

- R RSSG** Type
- 450** Diameter d1 [mm]
- 250** Diameter d2 [mm]
- 0,6 mm** Thickness δ [mm]
- Z140** Class

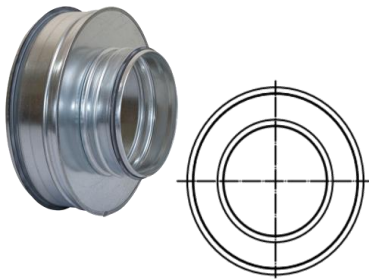
SKU	TYPE	Diameter d1 [mm]	Diameter d2 [mm]	L [mm]	Thickness δ [mm]			
94601	R RSSG 450 250 0,6 mm Z140	450	250	50	0,60			
94602	R RSSG 450 300 0,6 mm Z140	450	300	50	0,60			
94603	R RSSG 450 315 0,6 mm Z140	450	315	50	0,60			
94604	R RSSG 450 355 0,6 mm Z140	450	355	50	0,60			
94605	R RSSG 450 400 0,6 mm Z140	450	400	50	0,60			
94606	R RSSG 500 200 0,7 mm Z140	500	200	50	0,70			
94607	R RSSG 500 250 0,7 mm Z140	500	250	50	0,70			
94608	R RSSG 500 300 0,7 mm Z140	500	300	50	0,70			
94609	R RSSG 500 315 0,7 mm Z140	500	315	50	0,70			
94610	R RSSG 500 355 0,7 mm Z140	500	355	50	0,70			
94611	R RSSG 500 400 0,7 mm Z140	500	400	50	0,70			
94612	R RSSG 500 450 0,7 mm Z140	500	450	50	0,70			
94613	R RSSG 560 250 0,7 mm Z140	560	250	50	0,70			
94614	R RSSG 560 300 0,7 mm Z140	560	300	50	0,70			
94615	R RSSG 560 315 0,7 mm Z140	560	315	50	0,70			
94616	R RSSG 560 355 0,7 mm Z140	560	355	50	0,70			
94617	R RSSG 560 400 0,7 mm Z140	560	400	50	0,70			
94618	R RSSG 560 450 0,7 mm Z140	560	450	50	0,70			
94619	R RSSG 560 500 0,7 mm Z140	560	500	50	0,70			
94620	R RSSG 600 250 0,7 mm Z140	600	250	50	0,70			
94621	R RSSG 600 300 0,7 mm Z140	600	300	50	0,70			
94622	R RSSG 600 315 0,7 mm Z140	600	315	50	0,70			
94623	R RSSG 600 355 0,7 mm Z140	600	355	50	0,70			
94624	R RSSG 600 400 0,7 mm Z140	600	400	50	0,70			
94625	R RSSG 600 450 0,7 mm Z140	600	450	50	0,70			
94626	R RSSG 600 500 0,7 mm Z140	600	500	50	0,70			
94627	R RSSG 600 560 0,7 mm Z140	600	560	50	0,70			
94628	R RSSG 630 250 0,7 mm Z140	630	250	50	0,70			
94629	R RSSG 630 300 0,7 mm Z140	630	300	50	0,70			
94630	R RSSG 630 315 0,7 mm Z140	630	315	50	0,70			
94631	R RSSG 630 355 0,7 mm Z140	630	355	50	0,70			
94632	R RSSG 630 400 0,7 mm Z140	630	400	50	0,70			
94633	R RSSG 630 450 0,7 mm Z140	630	450	50	0,70			
94634	R RSSG 630 500 0,7 mm Z140	630	500	50	0,70			
94635	R RSSG 630 560 0,7 mm Z140	630	560	50	0,70			
94636	R RSSG 630 600 0,7 mm Z140	630	600	50	0,70			

Note

For the other sizes, please contact the commercial department.

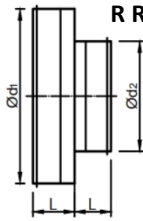
SPIRAL®SYSTEM ROUND VENTILATION DUCTS AND FITTINGS

Short Concentric segmented reducer R RSSG



Product Code Model

R RSSG 710 355 0,7 mm Z140



Circular reductions with gasket

Explanation:

R RSSG Type

710 Diameter d1 [mm]

355 Diameter d2 [mm]

0,7 mm Thickness δ [mm]

Z140 Class

SKU	TYPE	Diameter d1 [mm]	Diameter d2 [mm]	L [mm]	Thickness δ [mm]			
94637	R RSSG 710 355 0,7 mm Z140	710	355	50	0,70			
94638	R RSSG 710 400 0,7 mm Z140	710	400	50	0,70			
94639	R RSSG 710 450 0,7 mm Z140	710	450	50	0,70			
94640	R RSSG 710 500 0,7 mm Z140	710	500	50	0,70			
94641	R RSSG 710 560 0,7 mm Z140	710	560	50	0,70			
94642	R RSSG 710 600 0,7 mm Z140	710	600	50	0,70			
94643	R RSSG 710 630 0,7 mm Z140	710	630	50	0,70			
94644	R RSSG 800 400 0,8 mm Z140	800	400	50	0,80			
94645	R RSSG 800 450 0,8 mm Z140	800	450	50	0,80			
94646	R RSSG 800 500 0,8 mm Z140	800	500	50	0,80			
94647	R RSSG 800 560 0,8 mm Z140	800	560	50	0,80			
94648	R RSSG 800 600 0,8 mm Z140	800	600	50	0,80			
94649	R RSSG 800 630 0,8 mm Z140	800	630	50	0,80			
94650	R RSSG 800 710 0,8 mm Z140	800	710	50	0,80			
94651	R RSSG 900 450 0,8 mm Z140	900	450	50	0,80			
94652	R RSSG 900 500 0,8 mm Z140	900	500	50	0,80			
94653	R RSSG 900 560 0,8 mm Z140	900	560	50	0,80			
94654	R RSSG 900 600 0,8 mm Z140	900	600	50	0,80			
94655	R RSSG 900 630 0,8 mm Z140	900	630	50	0,80			
94656	R RSSG 900 710 0,8 mm Z140	900	710	50	0,80			
94657	R RSSG 900 800 0,8 mm Z140	900	800	50	0,80			
94658	R RSSG 1000 500 0,8 mm Z140	1000	500	50	0,80			
94659	R RSSG 1000 560 0,8 mm Z140	1000	560	50	0,80			
94660	R RSSG 1000 600 0,8 mm Z140	1000	600	50	0,80			
94661	R RSSG 1000 630 0,8 mm Z140	1000	630	50	0,80			
94662	R RSSG 1000 710 0,8 mm Z140	1000	710	50	0,80			
94663	R RSSG 1000 800 0,8 mm Z140	1000	800	50	0,80			
94664	R RSSG 1000 900 0,8 mm Z140	1000	900	50	0,80			

Note

For the other sizes, please contact the commercial department.

SPIRAL® SYSTEM ROUND VENTILATION DUCTS AND FITTINGS

**Saddles
with gasket**

Saddle R RASAG



Description:

The branch piece is a surface connection piece circular, for making 90° branches, both in both inlet and outlet systems.

Used Material:

Galvanized steel DX51, Class Z140.

Note:

The thickness of the galvanized sheet varies depending on the diameter.

Product Code Model

R RASAG 125 125 0,5 mm Z140

Explanation:

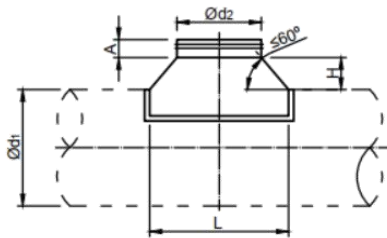
R RASAG Type

125 Diameter d1 [mm]

125 Diameter d2 [mm]

0,5 mm Thickness δ [mm]

Z140 Class



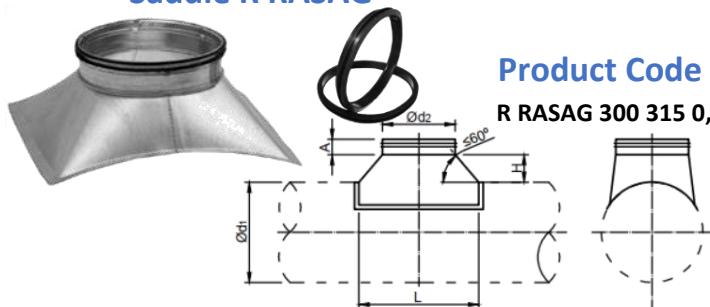
SKU	TYPE	Diameter d1 [mm]	Diameter d2 [mm]	L [mm]	H [mm]	A [mm]	Thickness δ [mm]
94877	R RASAG 125 125 0,5 mm Z140	125	125	206	70	50	0,50
94878	R RASAG 125 160 0,5 mm Z140	125	160	241	70	50	0,50
94879	R RASAG 125 200 0,5 mm Z140	125	200	281	70	50	0,50
94880	R RASAG 160 125 0,5 mm Z140	160	125	206	70	50	0,50
94881	R RASAG 160 160 0,5 mm Z140	160	160	241	70	50	0,50
94882	R RASAG 160 200 0,5 mm Z140	160	200	281	70	50	0,50
94883	R RASAG 160 250 0,5 mm Z140	160	250	331	70	50	0,50
94884	R RASAG 200 125 0,5 mm Z140	200	125	206	70	50	0,50
94885	R RASAG 200 160 0,5 mm Z140	200	160	241	70	50	0,50
94886	R RASAG 200 200 0,5 mm Z140	200	200	281	70	50	0,50
94887	R RASAG 200 250 0,5 mm Z140	200	250	331	70	50	0,50
94888	R RASAG 200 300 0,6 mm Z140	200	300	381	70	50	0,60
94889	R RASAG 200 315 0,6 mm Z140	200	315	396	70	50	0,60
94890	R RASAG 250 125 0,5 mm Z140	250	125	206	70	50	0,50
94891	R RASAG 250 160 0,5 mm Z140	250	160	241	70	50	0,50
94892	R RASAG 250 200 0,5 mm Z140	250	200	281	70	50	0,50
94893	R RASAG 250 250 0,5 mm Z140	250	250	331	70	50	0,50
94894	R RASAG 250 300 0,6 mm Z140	250	300	381	70	50	0,60
94895	R RASAG 250 315 0,6 mm Z140	250	315	396	70	50	0,60
94896	R RASAG 250 355 0,6 mm Z140	250	355	436	70	50	0,60
94897	R RASAG 250 400 0,6 mm Z140	250	400	481	70	50	0,60
94898	R RASAG 300 125 0,5 mm Z140	300	125	206	60	50	0,50
94899	R RASAG 300 160 0,5 mm Z140	300	160	241	60	50	0,50
94900	R RASAG 300 200 0,5 mm Z140	300	200	281	60	50	0,50
94901	R RASAG 300 250 0,5 mm Z140	300	250	331	60	50	0,50
94902	R RASAG 300 300 0,6 mm Z140	300	300	381	60	50	0,60

Note

For the other sizes, please contact the commercial department.

SPIRAL®SYSTEM ROUND VENTILATION DUCTS AND FITTINGS

Saddle R RASAG



Product Code Model

R RASAG 300 315 0,6 mm Z140

Saddles with gasket

Explanation:

R RASAG Type

300 Diameter d1 [mm]

315 Diameter d2 [mm]

0,6 mm Thickness δ [mm]

Z140 Class

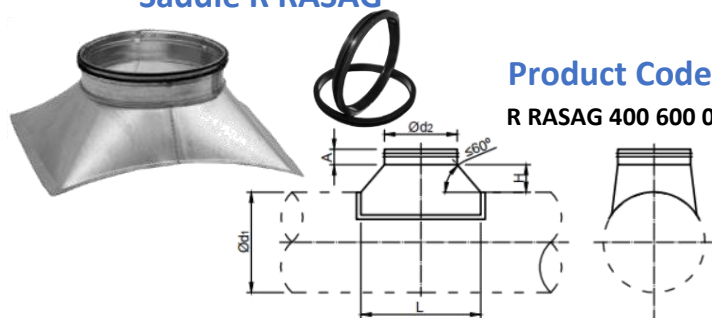
SKU	TYPE	Diameter d1 [mm]	Diameter d2 [mm]	L [mm]	H [mm]	A [mm]	Thickness δ [mm]	
94903	R RASAG 300 315 0,6 mm Z140	300	315	396	60	50	0,60	
94904	R RASAG 300 355 0,6 mm Z140	300	355	436	60	50	0,60	
94905	R RASAG 300 400 0,6 mm Z140	300	400	481	60	50	0,60	
94906	R RASAG 300 450 0,6 mm Z140	300	450	531	60	50	0,60	
94907	R RASAG 315 125 0,5 mm Z140	315	125	206	70	50	0,50	
94908	R RASAG 315 160 0,5 mm Z140	315	160	241	70	50	0,50	
94909	R RASAG 315 200 0,5 mm Z140	315	200	281	70	50	0,50	
94910	R RASAG 315 250 0,5 mm Z140	315	250	331	70	50	0,50	
94911	R RASAG 315 300 0,6 mm Z140	315	300	381	70	50	0,60	
94912	R RASAG 315 315 0,6 mm Z140	315	315	396	70	50	0,60	
94913	R RASAG 315 355 0,6 mm Z140	315	355	436	70	50	0,60	
94914	R RASAG 315 400 0,6 mm Z140	315	400	481	70	50	0,60	
94915	R RASAG 315 450 0,6 mm Z140	315	450	531	70	50	0,60	
94916	R RASAG 315 500 0,7 mm Z140	315	500	581	70	50	0,70	
94917	R RASAG 355 125 0,5 mm Z140	355	125	206	70	50	0,50	
94918	R RASAG 355 160 0,5 mm Z140	355	160	241	70	50	0,50	
94919	R RASAG 355 200 0,5 mm Z140	355	200	281	70	50	0,50	
94920	R RASAG 355 250 0,5 mm Z140	355	250	331	70	50	0,50	
94921	R RASAG 355 300 0,6 mm Z140	355	300	381	70	50	0,60	
94922	R RASAG 355 315 0,6 mm Z140	355	315	396	70	50	0,60	
94923	R RASAG 355 355 0,6 mm Z140	355	355	436	70	50	0,60	
94924	R RASAG 355 400 0,6 mm Z140	355	400	481	70	50	0,60	
94925	R RASAG 355 450 0,6 mm Z140	355	450	531	70	50	0,60	
94926	R RASAG 355 500 0,7 mm Z140	355	500	581	70	50	0,70	
94927	R RASAG 355 560 0,7 mm Z140	355	560	641	70	50	0,70	
94928	R RASAG 400 125 0,5 mm Z140	400	125	206	70	50	0,50	
94929	R RASAG 400 160 0,5 mm Z140	400	160	241	70	50	0,50	
94930	R RASAG 400 200 0,5 mm Z140	400	200	281	70	50	0,50	
94931	R RASAG 400 250 0,5 mm Z140	400	250	331	70	50	0,50	
94932	R RASAG 400 300 0,6 mm Z140	400	300	381	70	50	0,60	
94933	R RASAG 400 315 0,6 mm Z140	400	315	396	70	50	0,60	
94934	R RASAG 400 355 0,6 mm Z140	400	355	436	70	50	0,60	
94935	R RASAG 400 400 0,6 mm Z140	400	400	481	70	50	0,60	
94936	R RASAG 400 450 0,6 mm Z140	400	450	531	70	50	0,60	
94937	R RASAG 400 500 0,7 mm Z140	400	500	581	70	50	0,70	
94938	R RASAG 400 560 0,7 mm Z140	400	560	641	70	50	0,70	

Note

For the other sizes, please contact the commercial department.

SPIRAL®SYSTEM ROUND VENTILATION DUCTS AND FITTINGS

Saddle R RASAG



Product Code Model

R RASAG 400 600 0,7 mm Z140

Saddles with gasket

Explanation:

R RASAG Type

400 Diameter d1 [mm]

600 Diameter d2 [mm]

0,7 mm Thickness δ [mm]

Z140 Class

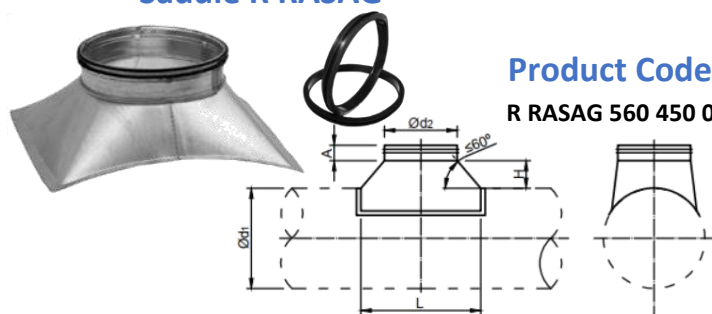
SKU	TYPE	Diameter d1 [mm]	Diameter d2 [mm]	L [mm]	H [mm]	A [mm]	Thickness δ [mm]	
94939	R RASAG 400 600 0,7 mm Z140	400	600	681	70	50	0,70	
94940	R RASAG 400 630 0,7 mm Z140	400	630	711	70	50	0,70	
94941	R RASAG 450 125 0,5 mm Z140	450	125	206	70	50	0,50	
94942	R RASAG 450 160 0,5 mm Z140	450	160	241	70	50	0,50	
94943	R RASAG 450 200 0,5 mm Z140	450	200	281	70	50	0,50	
94944	R RASAG 450 250 0,5 mm Z140	450	250	331	70	50	0,50	
94945	R RASAG 450 300 0,6 mm Z140	450	300	381	70	50	0,60	
94946	R RASAG 450 315 0,6 mm Z140	450	315	396	70	50	0,60	
94947	R RASAG 450 355 0,6 mm Z140	450	355	436	70	50	0,60	
94948	R RASAG 450 400 0,6 mm Z140	450	400	481	70	50	0,60	
94949	R RASAG 450 450 0,6 mm Z140	450	450	531	70	50	0,60	
94950	R RASAG 450 500 0,7 mm Z140	450	500	581	70	50	0,70	
94951	R RASAG 450 560 0,7 mm Z140	450	560	641	70	50	0,70	
94952	R RASAG 450 600 0,7 mm Z140	450	600	681	70	50	0,70	
94953	R RASAG 450 630 0,7 mm Z140	450	630	711	70	50	0,70	
94954	R RASAG 450 710 0,7 mm Z140	450	710	791	70	50	0,70	
94955	R RASAG 500 125 0,5 mm Z140	500	125	206	70	50	0,50	
94956	R RASAG 500 160 0,5 mm Z140	500	160	241	70	50	0,50	
94957	R RASAG 500 200 0,5 mm Z140	500	200	281	70	50	0,50	
94958	R RASAG 500 250 0,5 mm Z140	500	250	331	70	50	0,50	
94959	R RASAG 500 300 0,6 mm Z140	500	300	381	70	50	0,60	
94960	R RASAG 500 315 0,6 mm Z140	500	315	396	70	50	0,60	
94961	R RASAG 500 355 0,6 mm Z140	500	355	436	70	50	0,60	
94962	R RASAG 500 400 0,6 mm Z140	500	400	481	70	50	0,60	
94963	R RASAG 500 450 0,6 mm Z140	500	450	531	70	50	0,60	
94964	R RASAG 500 500 0,7 mm Z140	500	500	581	70	50	0,70	
94965	R RASAG 500 560 0,7 mm Z140	500	560	641	70	50	0,70	
94966	R RASAG 500 600 0,7 mm Z140	500	600	681	70	50	0,70	
94967	R RASAG 500 630 0,7 mm Z140	500	630	711	70	50	0,70	
94968	R RASAG 500 710 0,7 mm Z140	500	710	791	70	50	0,70	
94969	R RASAG 560 200 0,5 mm Z140	560	200	281	70	50	0,50	
94970	R RASAG 560 250 0,5 mm Z140	560	250	331	70	50	0,50	
94971	R RASAG 560 300 0,6 mm Z140	560	300	381	70	50	0,60	
94972	R RASAG 560 315 0,6 mm Z140	560	315	396	70	50	0,60	
94973	R RASAG 560 355 0,6 mm Z140	560	355	436	70	50	0,60	
94974	R RASAG 560 400 0,6 mm Z140	560	400	481	70	50	0,60	

Note

For the other sizes, please contact the commercial department.

SPIRAL®SYSTEM ROUND VENTILATION DUCTS AND FITTINGS

Saddle R RASAG



Product Code Model

R RASAG 560 450 0,6 mm Z140

Saddles with gasket

Explanation:

R RASAG Type

560 Diameter d1 [mm]

450 Diameter d2 [mm]

0,6 mm Thickness δ [mm]

Z140 Class

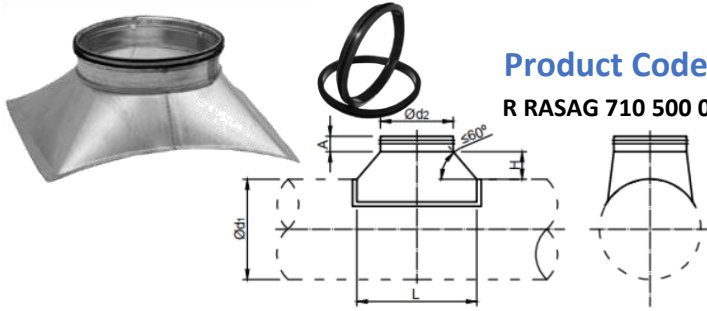
SKU	TYPE	Diameter d1 [mm]	Diameter d2 [mm]	L [mm]	H [mm]	A [mm]	Thickness δ [mm]	
94975	R RASAG 560 450 0,6 mm Z140	560	450	531	70	50	0,60	
94976	R RASAG 560 500 0,7 mm Z140	560	500	581	70	50	0,70	
94977	R RASAG 560 560 0,7 mm Z140	560	560	641	70	50	0,70	
94978	R RASAG 560 600 0,7 mm Z140	560	600	681	70	50	0,70	
94979	R RASAG 560 630 0,7 mm Z140	560	630	711	70	50	0,70	
94980	R RASAG 560 710 0,7 mm Z140	560	710	791	70	50	0,70	
94981	R RASAG 600 200 0,5 mm Z140	600	200	281	70	50	0,50	
94982	R RASAG 600 250 0,5 mm Z140	600	250	331	70	50	0,50	
94983	R RASAG 600 300 0,6 mm Z140	600	300	381	70	50	0,60	
94984	R RASAG 600 315 0,6 mm Z140	600	315	396	70	50	0,60	
94985	R RASAG 600 355 0,6 mm Z140	600	355	436	70	50	0,60	
94986	R RASAG 600 400 0,6 mm Z140	600	400	481	70	50	0,60	
94987	R RASAG 600 450 0,6 mm Z140	600	450	531	70	50	0,60	
94988	R RASAG 600 500 0,7 mm Z140	600	500	581	70	50	0,70	
94989	R RASAG 600 560 0,7 mm Z140	600	560	641	70	50	0,70	
94990	R RASAG 600 600 0,7 mm Z140	600	600	681	70	50	0,70	
94991	R RASAG 600 630 0,7 mm Z140	600	630	711	70	50	0,70	
94992	R RASAG 600 710 0,7 mm Z140	600	710	791	70	50	0,70	
94993	R RASAG 630 200 0,5 mm Z140	630	200	281	70	50	0,50	
94994	R RASAG 630 250 0,5 mm Z140	630	250	331	70	50	0,50	
94995	R RASAG 630 300 0,6 mm Z140	630	300	381	70	50	0,60	
94996	R RASAG 630 315 0,6 mm Z140	630	315	396	70	50	0,60	
94997	R RASAG 630 355 0,6 mm Z140	630	355	436	70	50	0,60	
94998	R RASAG 630 400 0,6 mm Z140	630	400	481	70	50	0,60	
94999	R RASAG 630 450 0,6 mm Z140	630	450	531	70	50	0,60	
95000	R RASAG 630 500 0,7 mm Z140	630	500	581	70	50	0,70	
95001	R RASAG 630 560 0,7 mm Z140	630	560	641	70	50	0,70	
95002	R RASAG 630 600 0,7 mm Z140	630	600	681	70	50	0,70	
95003	R RASAG 630 630 0,7 mm Z140	630	630	711	70	50	0,70	
95004	R RASAG 630 710 0,7 mm Z140	630	710	791	70	50	0,70	
95005	R RASAG 710 250 0,5 mm Z140	710	250	331	70	50	0,50	
95006	R RASAG 710 300 0,6 mm Z140	710	300	381	70	50	0,60	
95007	R RASAG 710 315 0,6 mm Z140	710	315	396	70	50	0,60	
95008	R RASAG 710 355 0,6 mm Z140	710	355	436	70	50	0,60	
95009	R RASAG 710 400 0,6 mm Z140	710	400	481	70	50	0,60	
95010	R RASAG 710 450 0,6 mm Z140	710	450	531	70	50	0,60	

Note

For the other sizes, please contact the commercial department.

SPIRAL®SYSTEM ROUND VENTILATION DUCTS AND FITTINGS

Saddle R RASAG



Product Code Model

R RASAG 710 500 0,7 mm Z140

Saddles with gasket

Explanation:

R RASAG Type

710 Diameter d1 [mm]

500 Diameter d2 [mm]

0,7 mm Thickness δ [mm]

Z140 Class

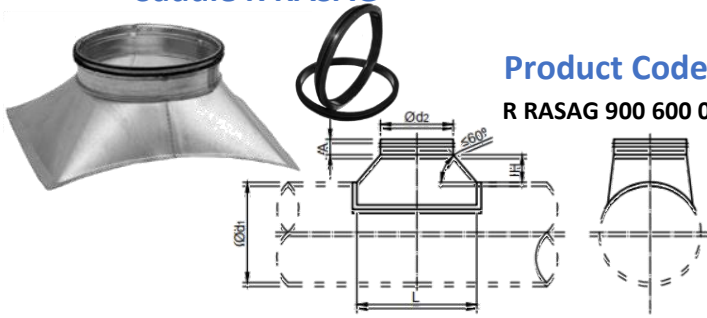
SKU	TYPE	Diameter d1 [mm]	Diameter d2 [mm]	L [mm]	H [mm]	A [mm]	Thickness δ [mm]	
95011	R RASAG 710 500 0,7 mm Z140	710	500	581	70	50	0,70	
95012	R RASAG 710 560 0,7 mm Z140	710	560	641	70	50	0,70	
95013	R RASAG 710 600 0,7 mm Z140	710	600	681	70	50	0,70	
95014	R RASAG 710 630 0,7 mm Z140	710	630	711	70	50	0,70	
95015	R RASAG 710 710 0,7 mm Z140	710	710	791	70	50	0,70	
95016	R RASAG 500 800 0,8 mm Z140	500	800	881	70	50	0,80	
95017	R RASAG 560 800 0,8 mm Z140	560	800	881	70	50	0,80	
95018	R RASAG 560 900 0,8 mm Z140	560	900	981	70	50	0,80	
95019	R RASAG 600 800 0,8 mm Z140	600	800	881	70	50	0,80	
95020	R RASAG 600 900 0,8 mm Z140	600	900	981	70	50	0,80	
95021	R RASAG 630 800 0,8 mm Z140	630	800	881	70	50	0,80	
95022	R RASAG 630 900 0,8 mm Z140	630	900	981	70	50	0,80	
95023	R RASAG 630 1000 0,8 mm Z140	630	1000	1081	70	50	0,80	
95024	R RASAG 710 800 0,8 mm Z140	710	800	881	70	50	0,80	
95025	R RASAG 710 900 0,8 mm Z140	710	900	981	70	50	0,80	
95026	R RASAG 710 1000 0,8 mm Z140	710	1000	1081	70	50	0,80	
95027	R RASAG 800 250 0,5 mm Z140	800	250	331	70	50	0,50	
95028	R RASAG 800 300 0,6 mm Z140	800	300	381	70	50	0,60	
95029	R RASAG 800 315 0,6 mm Z140	800	315	396	70	50	0,60	
95030	R RASAG 800 355 0,6 mm Z140	800	355	436	70	50	0,60	
95031	R RASAG 800 400 0,6 mm Z140	800	400	481	70	50	0,60	
95032	R RASAG 800 450 0,6 mm Z140	800	450	531	70	50	0,60	
95033	R RASAG 800 500 0,7 mm Z140	800	500	581	70	50	0,70	
95034	R RASAG 800 560 0,7 mm Z140	800	560	641	70	50	0,70	
95035	R RASAG 800 600 0,7 mm Z140	800	600	681	70	50	0,70	
95036	R RASAG 800 630 0,7 mm Z140	800	630	711	70	50	0,70	
95037	R RASAG 800 710 0,7 mm Z140	800	710	791	70	50	0,70	
95038	R RASAG 800 800 0,8 mm Z140	800	800	881	70	50	0,80	
95039	R RASAG 800 900 0,8 mm Z140	800	900	981	70	50	0,80	
95040	R RASAG 800 1000 0,8 mm Z140	800	1000	1081	70	50	0,80	
95041	R RASAG 900 315 0,6 mm Z140	900	315	396	70	50	0,60	
95042	R RASAG 900 355 0,6 mm Z140	900	355	436	70	50	0,60	
95043	R RASAG 900 400 0,6 mm Z140	900	400	481	70	50	0,60	
95044	R RASAG 900 450 0,6 mm Z140	900	450	531	70	50	0,60	
95045	R RASAG 900 500 0,7 mm Z140	900	500	581	70	50	0,70	
95046	R RASAG 900 560 0,7 mm Z140	900	560	641	70	50	0,70	

Note

For the other sizes, please contact the commercial department.

SPIRAL®SYSTEM ROUND VENTILATION DUCTS AND FITTINGS

Saddle R RASAG



Product Code Model

R RASAG 900 600 0,7 mm Z140

**Saddles
with gasket**

Explanation:

R RASAG Type

900 Diameter d1 [mm]

600 Diameter d2 [mm]

0,7 mm Thickness δ [mm]

Z140 Class

SKU	TYPE	Diameter d1 [mm]	Diameter d2 [mm]	L [mm]	H [mm]	A [mm]	Thickness δ [mm]	
95047	R RASAG 900 600 0,7 mm Z140	900	600	681	70	50	0,70	
95048	R RASAG 900 630 0,7 mm Z140	900	630	711	70	50	0,70	
95049	R RASAG 900 710 0,7 mm Z140	900	710	791	70	50	0,70	
95050	R RASAG 900 800 0,8 mm Z140	900	800	881	70	50	0,80	
95051	R RASAG 900 900 0,8 mm Z140	900	900	981	70	50	0,80	
95052	R RASAG 900 1000 0,8 mm Z140	900	1000	1081	70	50	0,80	
95053	R RASAG 1000 315 0,6 mm Z140	1000	315	396	70	50	0,60	
95054	R RASAG 1000 400 0,6 mm Z140	1000	400	481	70	50	0,60	
95055	R RASAG 1000 450 0,6 mm Z140	1000	450	531	70	50	0,60	
95056	R RASAG 1000 500 0,7 mm Z140	1000	500	581	70	50	0,70	
95057	R RASAG 1000 560 0,7 mm Z140	1000	560	641	70	50	0,70	
95058	R RASAG 1000 600 0,7 mm Z140	1000	600	681	70	50	0,70	
95059	R RASAG 1000 630 0,7 mm Z140	1000	630	711	70	50	0,70	
95060	R RASAG 1000 710 0,7 mm Z140	1000	710	791	70	50	0,70	
95061	R RASAG 1000 800 0,8 mm Z140	1000	800	881	70	50	0,80	
95062	R RASAG 1000 900 0,8 mm Z140	1000	900	981	70	50	0,80	

Note

For the other sizes, please contact the commercial department.

SPIRAL® SYSTEM ROUND VENTILATION DUCTS AND FITTINGS

**Saddles
with gasket**

Short Saddle R RASASG



Description:

The branch piece is a surface connection piece circular, for making 90° branches, both in both inlet and outlet systems.

Used Material:

Galvanized steel DX51, Class Z140.

Note:

The thickness of the galvanized sheet varies depending on the diameter.

Product Code Model

R RASASG 125 125 0,5 mm Z140

Explanation:

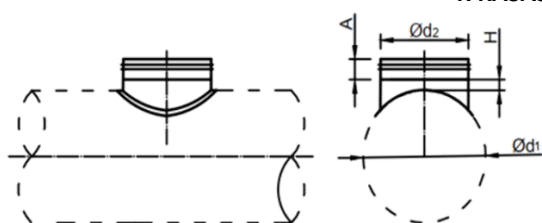
R RASASG Type

125 Diameter d1 [mm]

125 Diameter d2 [mm]

0,5 mm Thickness δ [mm]

Z140 Class



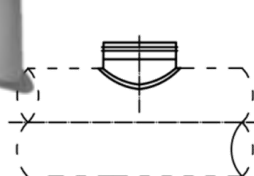
SKU	TYPE	Diameter d1 [mm]	Diameter d2 [mm]	H [mm]	A [mm]	Thickness δ [mm]	
95272	R RASASG 125 125 0,5 mm Z140	125	125	50	50	0,50	
95273	R RASASG 160 125 0,5 mm Z140	160	125	50	50	0,50	
95274	R RASASG 160 160 0,5 mm Z140	160	160	50	50	0,50	
95275	R RASASG 200 125 0,5 mm Z140	200	125	50	50	0,50	
95276	R RASASG 200 160 0,5 mm Z140	200	160	50	50	0,50	
95277	R RASASG 200 200 0,5 mm Z140	200	200	50	50	0,50	
95278	R RASASG 250 125 0,5 mm Z140	250	125	50	50	0,50	
95279	R RASASG 250 160 0,5 mm Z140	250	160	50	50	0,50	
95280	R RASASG 250 200 0,5 mm Z140	250	200	50	50	0,50	
95281	R RASASG 250 250 0,5 mm Z140	250	250	50	50	0,50	
95282	R RASASG 300 125 0,5 mm Z140	300	125	50	50	0,50	
95283	R RASASG 300 160 0,5 mm Z140	300	160	50	50	0,50	
95284	R RASASG 300 200 0,5 mm Z140	300	200	50	50	0,50	
95285	R RASASG 300 250 0,5 mm Z140	300	250	50	50	0,50	
95286	R RASASG 300 300 0,6 mm Z140	300	300	50	50	0,60	
95287	R RASASG 315 125 0,5 mm Z140	315	125	50	50	0,50	
95288	R RASASG 315 160 0,5 mm Z140	315	160	50	50	0,50	
95289	R RASASG 315 200 0,5 mm Z140	315	200	50	50	0,50	
95290	R RASASG 315 250 0,5 mm Z140	315	250	50	50	0,50	
95291	R RASASG 315 300 0,6 mm Z140	315	300	50	50	0,60	
95292	R RASASG 315 315 0,6 mm Z140	315	315	50	50	0,60	
95293	R RASASG 355 125 0,5 mm Z140	355	125	50	50	0,50	
95294	R RASASG 355 160 0,5 mm Z140	355	160	50	50	0,50	
95295	R RASASG 355 200 0,5 mm Z140	355	200	50	50	0,50	
95296	R RASASG 355 250 0,5 mm Z140	355	250	50	50	0,50	
95297	R RASASG 355 300 0,6 mm Z140	355	300	50	50	0,60	

Note

For the other sizes, please contact the commercial department.

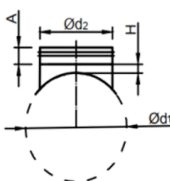
SPIRAL® SYSTEM ROUND VENTILATION DUCTS AND FITTINGS

Short Saddle R RASASG



Product Code Model

R RASASG 355 315 0,6 mm Z140



Saddles with gasket

Explanation:

R RASASG Type

355 Diameter d1 [mm]

315 Diameter d2 [mm]

0,6 mm Thickness δ [mm]

Z140 Class

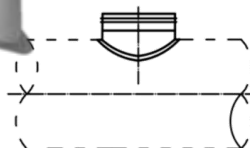
SKU	TYPE	Diameter d1 [mm]	Diameter d2 [mm]	H [mm]	A [mm]	Thickness δ [mm]
95298	R RASASG 355 315 0,6 mm Z140	355	315	50	50	0,60
95299	R RASASG 355 355 0,6 mm Z140	355	355	50	50	0,60
95300	R RASASG 400 125 0,5 mm Z140	400	125	50	50	0,50
95301	R RASASG 400 160 0,5 mm Z140	400	160	50	50	0,50
95302	R RASASG 400 200 0,5 mm Z140	400	200	50	50	0,50
95303	R RASASG 400 250 0,5 mm Z140	400	250	50	50	0,50
95304	R RASASG 400 300 0,6 mm Z140	400	300	50	50	0,60
95305	R RASASG 400 315 0,6 mm Z140	400	315	50	50	0,60
95306	R RASASG 400 355 0,6 mm Z140	400	355	50	50	0,60
95307	R RASASG 400 400 0,6 mm Z140	400	400	50	50	0,60
95308	R RASASG 450 125 0,5 mm Z140	450	125	50	50	0,50
95309	R RASASG 450 160 0,5 mm Z140	450	160	50	50	0,50
95310	R RASASG 450 200 0,5 mm Z140	450	200	50	50	0,50
95311	R RASASG 450 250 0,5 mm Z140	450	250	50	50	0,50
95312	R RASASG 450 300 0,6 mm Z140	450	300	50	50	0,60
95313	R RASASG 450 315 0,6 mm Z140	450	315	50	50	0,60
95314	R RASASG 450 355 0,6 mm Z140	450	355	50	50	0,60
95315	R RASASG 450 400 0,6 mm Z140	450	400	50	50	0,60
95316	R RASASG 450 450 0,6 mm Z140	450	450	50	50	0,60
95317	R RASASG 500 125 0,5 mm Z140	500	125	50	50	0,50
95318	R RASASG 500 160 0,5 mm Z140	500	160	50	50	0,50
95319	R RASASG 500 200 0,5 mm Z140	500	200	50	50	0,50
95320	R RASASG 500 250 0,5 mm Z140	500	250	50	50	0,50
95321	R RASASG 500 300 0,6 mm Z140	500	300	50	50	0,60
95322	R RASASG 500 315 0,6 mm Z140	500	315	50	50	0,60
95323	R RASASG 500 355 0,6 mm Z140	500	355	50	50	0,60
95324	R RASASG 500 400 0,6 mm Z140	500	400	50	50	0,60
95325	R RASASG 500 450 0,6 mm Z140	500	450	50	50	0,60
95326	R RASASG 500 500 0,7 mm Z140	500	500	50	50	0,70
95327	R RASASG 560 125 0,5 mm Z140	560	125	50	50	0,50
95328	R RASASG 560 160 0,5 mm Z140	560	160	50	50	0,50
95329	R RASASG 560 200 0,5 mm Z140	560	200	50	50	0,50
95330	R RASASG 560 250 0,5 mm Z140	560	250	50	50	0,50
95331	R RASASG 560 300 0,6 mm Z140	560	300	50	50	0,60
95332	R RASASG 560 315 0,6 mm Z140	560	315	50	50	0,60
95333	R RASASG 560 355 0,6 mm Z140	560	355	50	50	0,60

Note

For the other sizes, please contact the commercial department.

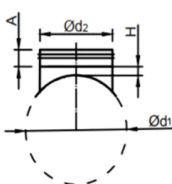
SPIRAL® SYSTEM ROUND VENTILATION DUCTS AND FITTINGS

Short Saddle R RASASG



Product Code Model

R RASASG 560 400 0,6 mm Z140



**Saddles
with gasket**

Explanation:

R RASASG Type

560 Diameter d1 [mm]

400 Diameter d2 [mm]

0,6 mm Thickness δ [mm]

Z140 Class

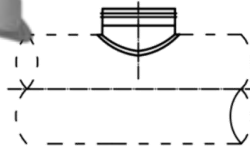
SKU	TYPE	Diameter d1 [mm]	Diameter d2 [mm]	H [mm]	A [mm]	Thickness δ [mm]	
95334	R RASASG 560 400 0,6 mm Z140	560	400	50	50	0,60	
95335	R RASASG 560 450 0,6 mm Z140	560	450	50	50	0,60	
95336	R RASASG 560 500 0,7 mm Z140	560	500	50	50	0,70	
95337	R RASASG 560 560 0,7 mm Z140	560	560	50	50	0,70	
95338	R RASASG 600 125 0,5 mm Z140	600	125	50	50	0,50	
95339	R RASASG 600 160 0,5 mm Z140	600	160	50	50	0,50	
95340	R RASASG 600 200 0,5 mm Z140	600	200	50	50	0,50	
95341	R RASASG 600 250 0,5 mm Z140	600	250	50	50	0,50	
95342	R RASASG 600 300 0,6 mm Z140	600	300	50	50	0,60	
95343	R RASASG 600 315 0,6 mm Z140	600	315	50	50	0,60	
95344	R RASASG 600 355 0,6 mm Z140	600	355	50	50	0,60	
95345	R RASASG 600 400 0,6 mm Z140	600	400	50	50	0,60	
95346	R RASASG 600 450 0,6 mm Z140	600	450	50	50	0,60	
95347	R RASASG 600 500 0,7 mm Z140	600	500	50	50	0,70	
95348	R RASASG 600 560 0,7 mm Z140	600	560	50	50	0,70	
95349	R RASASG 600 600 0,7 mm Z140	600	600	50	50	0,70	
95350	R RASASG 630 125 0,5 mm Z140	630	125	50	50	0,50	
95351	R RASASG 630 160 0,5 mm Z140	630	160	50	50	0,50	
95352	R RASASG 630 200 0,5 mm Z140	630	200	50	50	0,50	
95353	R RASASG 630 250 0,5 mm Z140	630	250	50	50	0,50	
95354	R RASASG 630 300 0,6 mm Z140	630	300	50	50	0,60	
95355	R RASASG 630 315 0,6 mm Z140	630	315	50	50	0,60	
95356	R RASASG 630 355 0,6 mm Z140	630	355	50	50	0,60	
95357	R RASASG 630 400 0,6 mm Z140	630	400	50	50	0,60	
95358	R RASASG 630 450 0,6 mm Z140	630	450	50	50	0,60	
95359	R RASASG 630 500 0,7 mm Z140	630	500	50	50	0,70	
95360	R RASASG 630 560 0,7 mm Z140	630	560	50	50	0,70	
95361	R RASASG 630 600 0,7 mm Z140	630	600	50	50	0,70	
95362	R RASASG 630 630 0,7 mm Z140	630	630	50	50	0,70	
95363	R RASASG 710 125 0,5 mm Z140	710	125	50	50	0,50	
95364	R RASASG 710 160 0,5 mm Z140	710	160	50	50	0,50	
95365	R RASASG 710 200 0,5 mm Z140	710	200	50	50	0,50	
95366	R RASASG 710 250 0,5 mm Z140	710	250	50	50	0,50	
95367	R RASASG 710 300 0,6 mm Z140	710	300	50	50	0,60	
95368	R RASASG 710 315 0,6 mm Z140	710	315	50	50	0,60	
95369	R RASASG 710 355 0,6 mm Z140	710	355	50	50	0,60	

Note

For the other sizes, please contact the commercial department.

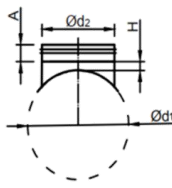
SPIRAL®SYSTEM ROUND VENTILATION DUCTS AND FITTINGS

Short Saddle R RASASG



Product Code Model

R RASASG 710 400 0,6 mm Z140



Saddles with gasket

Explanation:

R RASASG Type

710 Diameter d1 [mm]

400 Diameter d2 [mm]

0,6 mm Thickness δ [mm]

Z140 Class

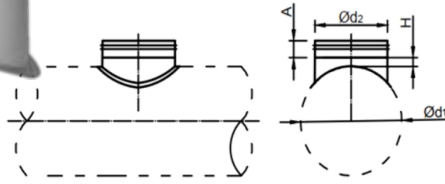
SKU	TYPE	Diameter d1 [mm]	Diameter d2 [mm]	H [mm]	A [mm]	Thickness δ [mm]	
95370	R RASASG 710 400 0,6 mm Z140	710	400	50	50	0,60	
95371	R RASASG 710 450 0,6 mm Z140	710	450	50	50	0,60	
95372	R RASASG 710 500 0,7 mm Z140	710	500	50	50	0,70	
95373	R RASASG 710 560 0,7 mm Z140	710	560	50	50	0,70	
95374	R RASASG 710 600 0,7 mm Z140	710	600	50	50	0,70	
95375	R RASASG 710 630 0,7 mm Z140	710	630	50	50	0,70	
95376	R RASASG 710 710 0,7 mm Z140	710	710	50	50	0,70	
95377	R RASASG 800 125 0,5 mm Z140	800	125	50	50	0,50	
95378	R RASASG 800 160 0,5 mm Z140	800	160	50	50	0,50	
95379	R RASASG 800 200 0,5 mm Z140	800	200	50	50	0,50	
95380	R RASASG 800 250 0,5 mm Z140	800	250	50	50	0,50	
95381	R RASASG 800 300 0,6 mm Z140	800	300	50	50	0,60	
95382	R RASASG 800 315 0,6 mm Z140	800	315	50	50	0,60	
95383	R RASASG 800 355 0,6 mm Z140	800	355	50	50	0,60	
95384	R RASASG 800 400 0,6 mm Z140	800	400	50	50	0,60	
95385	R RASASG 800 450 0,6 mm Z140	800	450	50	50	0,60	
95386	R RASASG 800 500 0,7 mm Z140	800	500	50	50	0,70	
95387	R RASASG 800 560 0,7 mm Z140	800	560	50	50	0,70	
95388	R RASASG 800 600 0,7 mm Z140	800	600	50	50	0,70	
95389	R RASASG 800 630 0,7 mm Z140	800	630	50	50	0,70	
95390	R RASASG 800 710 0,7 mm Z140	800	710	50	50	0,70	
95391	R RASASG 900 125 0,5 mm Z140	900	125	50	50	0,50	
95392	R RASASG 900 160 0,5 mm Z140	900	160	50	50	0,50	
95393	R RASASG 900 200 0,5 mm Z140	900	200	50	50	0,50	
95394	R RASASG 900 250 0,5 mm Z140	900	250	50	50	0,50	
95395	R RASASG 900 300 0,6 mm Z140	900	300	50	50	0,60	
95396	R RASASG 900 315 0,6 mm Z140	900	315	50	50	0,60	
95397	R RASASG 900 355 0,6 mm Z140	900	355	50	50	0,60	
95398	R RASASG 900 400 0,6 mm Z140	900	400	50	50	0,60	
95399	R RASASG 900 450 0,6 mm Z140	900	450	50	50	0,60	
95400	R RASASG 900 500 0,7 mm Z140	900	500	50	50	0,70	
95401	R RASASG 900 560 0,7 mm Z140	900	560	50	50	0,70	
95402	R RASASG 900 600 0,7 mm Z140	900	600	50	50	0,70	
95403	R RASASG 900 630 0,7 mm Z140	900	630	50	50	0,70	
95404	R RASASG 900 710 0,7 mm Z140	900	710	50	50	0,70	
95405	R RASASG 1000 125 0,5 mm Z140	1000	125	50	50	0,50	

Note

For the other sizes, please contact the commercial department.

SPIRAL®SYSTEM ROUND VENTILATION DUCTS AND FITTINGS

Short Saddle R RASASG



Product Code Model

R RASASG 1000 160 0,5 mm Z140

Saddles with gasket

Explanation:

R RASASG Type

100 Diameter d1 [mm]

160 Diameter d2 [mm]

0,5 mm Thickness δ [mm]

Z140 Class

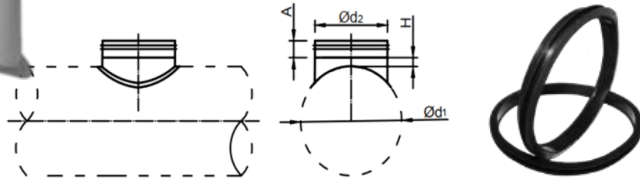
SKU	TYPE	Diameter d1 [mm]	Diameter d2 [mm]	H [mm]	A [mm]	Thickness δ [mm]	
95406	R RASASG 1000 160 0,5 mm Z140	1000	160	50	50	0,50	
95407	R RASASG 1000 200 0,5 mm Z140	1000	200	50	50	0,50	
95408	R RASASG 1000 250 0,5 mm Z140	1000	250	50	50	0,50	
95409	R RASASG 1000 300 0,6 mm Z140	1000	300	50	50	0,60	
95410	R RASASG 1000 315 0,6 mm Z140	1000	315	50	50	0,60	
95411	R RASASG 1000 355 0,6 mm Z140	1000	355	50	50	0,60	
95412	R RASASG 1000 400 0,6 mm Z140	1000	400	50	50	0,60	
95413	R RASASG 1000 450 0,6 mm Z140	1000	450	50	50	0,60	
95414	R RASASG 1000 500 0,7 mm Z140	1000	500	50	50	0,70	
95415	R RASASG 1000 560 0,7 mm Z140	1000	560	50	50	0,70	
95416	R RASASG 1000 600 0,7 mm Z140	1000	600	50	50	0,70	
95417	R RASASG 1000 630 0,7 mm Z140	1000	630	50	50	0,70	
95418	R RASASG 1000 710 0,7 mm Z140	1000	710	50	50	0,70	
95419	R RASASG 1120 125 0,5 mm Z140	1120	125	50	50	0,50	
95420	R RASASG 1120 160 0,5 mm Z140	1120	160	50	50	0,50	
95421	R RASASG 1120 200 0,5 mm Z140	1120	200	50	50	0,50	
95422	R RASASG 1120 250 0,5 mm Z140	1120	250	50	50	0,50	
95423	R RASASG 1120 300 0,6 mm Z140	1120	300	50	50	0,60	
95424	R RASASG 1120 315 0,6 mm Z140	1120	315	50	50	0,60	
95425	R RASASG 1120 355 0,6 mm Z140	1120	355	50	50	0,60	
95426	R RASASG 1120 400 0,6 mm Z140	1120	400	50	50	0,60	
95427	R RASASG 1120 450 0,6 mm Z140	1120	450	50	50	0,60	
95428	R RASASG 1120 500 0,7 mm Z140	1120	500	50	50	0,70	
95429	R RASASG 1120 560 0,7 mm Z140	1120	560	50	50	0,70	
95430	R RASASG 1120 600 0,7 mm Z140	1120	600	50	50	0,70	
95431	R RASASG 1120 630 0,7 mm Z140	1120	630	50	50	0,70	
95432	R RASASG 1120 710 0,7 mm Z140	1120	710	50	50	0,70	
95433	R RASASG 1250 125 0,5 mm Z140	1250	125	50	50	0,50	
95434	R RASASG 1250 160 0,5 mm Z140	1250	160	50	50	0,50	
95435	R RASASG 1250 200 0,5 mm Z140	1250	200	50	50	0,50	
95436	R RASASG 1250 250 0,5 mm Z140	1250	250	50	50	0,50	
95437	R RASASG 1250 300 0,6 mm Z140	1250	300	50	50	0,60	
95438	R RASASG 1250 315 0,6 mm Z140	1250	315	50	50	0,60	
95439	R RASASG 1250 355 0,6 mm Z140	1250	355	50	50	0,60	
95440	R RASASG 1250 400 0,6 mm Z140	1250	400	50	50	0,60	
95441	R RASASG 1250 450 0,6 mm Z140	1250	450	50	50	0,60	

Note

For the other sizes, please contact the commercial department.

SPIRAL®SYSTEM ROUND VENTILATION DUCTS AND FITTINGS

Short Saddle R RASASG



Product Code Model

R RASASG 1250 500 0,7 mm Z140



Saddles with gasket

Explanation:

R RASASG Type

125 Diameter d1 [mm]

500 Diameter d2 [mm]

0,7 mm Thickness δ [mm]

Z140 Class

SKU	TYPE	Diameter d1 [mm]	Diameter d2 [mm]	H [mm]	A [mm]	Thickness δ [mm]	
95442	R RASASG 1250 500 0,7 mm Z140	1250	500	50	50	0,70	
95443	R RASASG 1250 560 0,7 mm Z140	1250	560	50	50	0,70	
95444	R RASASG 1250 600 0,7 mm Z140	1250	600	50	50	0,70	
95445	R RASASG 1250 630 0,7 mm Z140	1250	630	50	50	0,70	
95446	R RASASG 1250 710 0,7 mm Z140	1250	710	50	50	0,70	
95447	R RASASG 1600 125 0,5 mm Z140	1600	125	50	50	0,50	
95448	R RASASG 1600 160 0,5 mm Z140	1600	160	50	50	0,50	
95449	R RASASG 1600 200 0,5 mm Z140	1600	200	50	50	0,50	
95450	R RASASG 1600 250 0,5 mm Z140	1600	250	50	50	0,50	
95451	R RASASG 1600 300 0,6 mm Z140	1600	300	50	50	0,60	
95452	R RASASG 1600 315 0,6 mm Z140	1600	315	50	50	0,60	
95453	R RASASG 1600 355 0,6 mm Z140	1600	355	50	50	0,60	
95454	R RASASG 1600 400 0,6 mm Z140	1600	400	50	50	0,60	
95455	R RASASG 1600 450 0,6 mm Z140	1600	450	50	50	0,60	
95456	R RASASG 1600 500 0,7 mm Z140	1600	500	50	50	0,70	
95457	R RASASG 1600 560 0,7 mm Z140	1600	560	50	50	0,70	
95458	R RASASG 1600 600 0,7 mm Z140	1600	600	50	50	0,70	
95459	R RASASG 1600 630 0,7 mm Z140	1600	630	50	50	0,70	
95460	R RASASG 1600 710 0,7 mm Z140	1600	710	50	50	0,70	
95461	R RASASG 800 800 0,8 mm Z140	800	800	50	50	0,80	
95462	R RASASG 900 800 0,8 mm Z140	900	800	50	50	0,80	
95463	R RASASG 900 900 0,8 mm Z140	900	900	50	50	0,80	
95464	R RASASG 1000 800 0,8 mm Z140	1000	800	50	50	0,80	
95465	R RASASG 1000 900 0,8 mm Z140	1000	900	50	50	0,80	
95466	R RASASG 1000 1000 0,8 mm Z140	1000	1000	50	50	0,80	
95467	R RASASG 1120 800 0,8 mm Z140	1120	800	50	50	0,80	
95468	R RASASG 1120 900 0,8 mm Z140	1120	900	50	50	0,80	
95469	R RASASG 1120 1000 0,8 mm Z140	1120	1000	50	50	0,80	
95470	R RASASG 1250 800 0,8 mm Z140	1250	800	50	50	0,80	
95471	R RASASG 1250 900 0,8 mm Z140	1250	900	50	50	0,80	
95472	R RASASG 1250 1000 0,8 mm Z140	1250	1000	50	50	0,80	
95473	R RASASG 1600 800 0,8 mm Z140	1600	800	50	50	0,80	
95474	R RASASG 1600 900 0,8 mm Z140	1600	900	50	50	0,80	
95475	R RASASG 1600 1000 0,8 mm Z140	1600	1000	50	50	0,80	

Note

For the other sizes, please contact the commercial department.

SPIRAL® SYSTEM ROUND VENTILATION DUCTS AND FITTINGS

**Saddles
with gasket**

Segmented collar saddle R RASACG



Description:

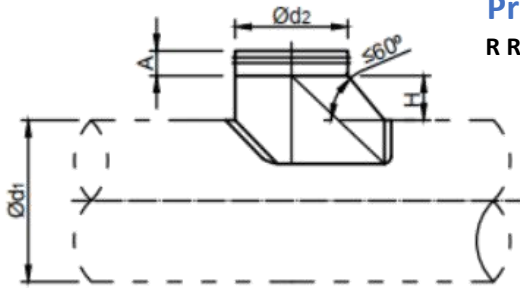
Segmented collar saddles allow fabricating round branch ducts.

Used Material:

Galvanized steel DX51, Class Z140.

Note:

The thickness of the galvanized sheet varies depending on the diameter.



Product Code Model

R RASACG 125 125 0,5 mm Z140



Explanation:

R RASACG Type

125 Diameter d1 [mm]

125 Diameter d2 [mm]

0,5 mm Thickness δ [mm]

Z140 Class

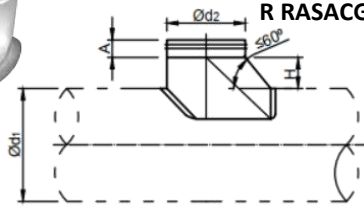
SKU	TYPE	Diameter d1 [mm]	Diameter d2 [mm]	H [mm]	A [mm]	Thickness δ [mm]	
95685	R RASACG 125 125 0,5 mm Z140	125	125	65	50	0,50	
95686	R RASACG 160 125 0,5 mm Z140	160	125	65	50	0,50	
95687	R RASACG 160 160 0,5 mm Z140	160	160	70	50	0,50	
95688	R RASACG 200 125 0,5 mm Z140	200	125	65	50	0,50	
95689	R RASACG 200 160 0,5 mm Z140	200	160	70	50	0,50	
95690	R RASACG 200 200 0,5 mm Z140	200	200	80	50	0,50	
95691	R RASACG 250 125 0,5 mm Z140	250	125	65	50	0,50	
95692	R RASACG 250 160 0,5 mm Z140	250	160	70	50	0,50	
95693	R RASACG 250 200 0,5 mm Z140	250	200	80	50	0,50	
95694	R RASACG 250 250 0,5 mm Z140	250	250	80	50	0,50	
95695	R RASACG 300 125 0,5 mm Z140	300	125	65	50	0,50	
95696	R RASACG 300 160 0,5 mm Z140	300	160	70	50	0,50	
95697	R RASACG 300 200 0,5 mm Z140	300	200	80	50	0,50	
95698	R RASACG 300 250 0,5 mm Z140	300	250	80	50	0,50	
95699	R RASACG 300 300 0,6 mm Z140	300	300	80	50	0,60	
95700	R RASACG 315 125 0,5 mm Z140	315	125	65	50	0,50	
95701	R RASACG 315 160 0,5 mm Z140	315	160	70	50	0,50	
95702	R RASACG 315 200 0,5 mm Z140	315	200	80	50	0,50	
95703	R RASACG 315 250 0,5 mm Z140	315	250	80	50	0,50	
95704	R RASACG 315 300 0,6 mm Z140	315	300	80	50	0,60	
95705	R RASACG 315 315 0,6 mm Z140	315	315	90	50	0,60	
95706	R RASACG 355 125 0,5 mm Z140	355	125	65	50	0,50	
95707	R RASACG 355 160 0,5 mm Z140	355	160	70	50	0,50	
95708	R RASACG 355 200 0,5 mm Z140	355	200	80	50	0,50	
95709	R RASACG 355 250 0,5 mm Z140	355	250	80	50	0,50	
95710	R RASACG 355 300 0,6 mm Z140	355	300	80	50	0,60	

Note

For the other sizes, please contact the commercial department.

SPIRAL®SYSTEM ROUND VENTILATION DUCTS AND FITTINGS

Segmented collar saddle R RASACG



Product Code Model

R RASACG 355 315 0,6 mm Z140

Saddles with gasket

Explanation:

R RASACG Type

355 Diameter d1 [mm]

315 Diameter d2 [mm]

0,6 mm Thickness δ [mm]

Z140 Class

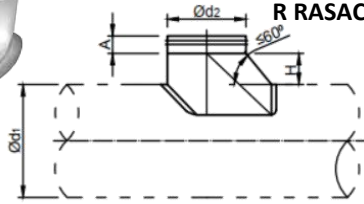
SKU	TYPE	Diameter d1 [mm]	Diameter d2 [mm]	H [mm]	A [mm]	Thickness δ [mm]	
95711	R RASACG 355 315 0,6 mm Z140	355	315	90	50	0,60	
95712	R RASACG 355 355 0,6 mm Z140	355	355	90	50	0,60	
95713	R RASACG 400 125 0,5 mm Z140	400	125	65	50	0,50	
95714	R RASACG 400 160 0,5 mm Z140	400	160	70	50	0,50	
95715	R RASACG 400 200 0,5 mm Z140	400	200	80	50	0,50	
95716	R RASACG 400 250 0,5 mm Z140	400	250	80	50	0,50	
95717	R RASACG 400 300 0,6 mm Z140	400	300	80	50	0,60	
95718	R RASACG 400 315 0,6 mm Z140	400	315	90	50	0,60	
95719	R RASACG 400 355 0,6 mm Z140	400	355	90	50	0,60	
95720	R RASACG 400 400 0,6 mm Z140	400	400	90	50	0,60	
95721	R RASACG 450 125 0,5 mm Z140	450	125	65	50	0,50	
95722	R RASACG 450 160 0,5 mm Z140	450	160	70	50	0,50	
95723	R RASACG 450 200 0,5 mm Z140	450	200	80	50	0,50	
95724	R RASACG 450 250 0,5 mm Z140	450	250	80	50	0,50	
95725	R RASACG 450 300 0,6 mm Z140	450	300	80	50	0,60	
95726	R RASACG 450 315 0,6 mm Z140	450	315	90	50	0,60	
95727	R RASACG 450 355 0,6 mm Z140	450	355	90	50	0,60	
95728	R RASACG 450 400 0,6 mm Z140	450	400	90	50	0,60	
95729	R RASACG 450 450 0,6 mm Z140	450	450	100	50	0,60	
95730	R RASACG 500 125 0,5 mm Z140	500	125	65	50	0,50	
95731	R RASACG 500 160 0,5 mm Z140	500	160	70	50	0,50	
95732	R RASACG 500 200 0,5 mm Z140	500	200	80	50	0,50	
95733	R RASACG 500 250 0,5 mm Z140	500	250	80	50	0,50	
95734	R RASACG 500 300 0,6 mm Z140	500	300	80	50	0,60	
95735	R RASACG 500 315 0,6 mm Z140	500	315	90	50	0,60	
95736	R RASACG 500 355 0,6 mm Z140	500	355	90	50	0,60	
95737	R RASACG 500 400 0,6 mm Z140	500	400	100	50	0,60	
95738	R RASACG 500 450 0,6 mm Z140	500	450	100	50	0,60	
95739	R RASACG 500 500 0,7 mm Z140	500	500	100	50	0,70	
95740	R RASACG 560 125 0,5 mm Z140	560	125	65	50	0,50	
95741	R RASACG 560 160 0,5 mm Z140	560	160	70	50	0,50	
95742	R RASACG 560 200 0,5 mm Z140	560	200	80	50	0,50	
95743	R RASACG 560 250 0,5 mm Z140	560	250	80	50	0,50	
95744	R RASACG 560 300 0,6 mm Z140	560	300	80	50	0,60	
95745	R RASACG 560 315 0,6 mm Z140	560	315	90	50	0,60	
95746	R RASACG 560 355 0,6 mm Z140	560	355	90	50	0,60	

Note

For the other sizes, please contact the commercial department.

SPIRAL®SYSTEM ROUND VENTILATION DUCTS AND FITTINGS

Segmented collar saddle R RASACG



Product Code Model

R RASACG 560 400 0,6 mm Z140



Saddles with gasket

Explanation:

R RASACG Type

560 Diameter d1 [mm]

400 Diameter d2 [mm]

0,6 mm Thickness δ [mm]

Z140 Class

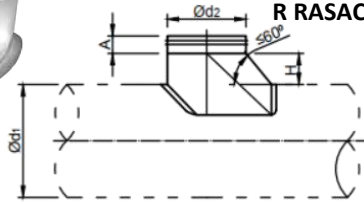
SKU	TYPE	Diameter d1 [mm]	Diameter d2 [mm]	H [mm]	A [mm]	Thickness δ [mm]	
95747	R RASACG 560 400 0,6 mm Z140	560	400	100	50	0,60	
95748	R RASACG 560 450 0,6 mm Z140	560	450	100	50	0,60	
95749	R RASACG 560 500 0,7 mm Z140	560	500	100	50	0,70	
95750	R RASACG 560 560 0,7 mm Z140	560	560	100	50	0,70	
95751	R RASACG 600 125 0,5 mm Z140	600	125	65	50	0,50	
95752	R RASACG 600 160 0,5 mm Z140	600	160	70	50	0,50	
95753	R RASACG 600 200 0,5 mm Z140	600	200	80	50	0,50	
95754	R RASACG 600 250 0,5 mm Z140	600	250	80	50	0,50	
95755	R RASACG 600 300 0,6 mm Z140	600	300	80	50	0,60	
95756	R RASACG 600 315 0,6 mm Z140	600	315	90	50	0,60	
95757	R RASACG 600 355 0,6 mm Z140	600	355	90	50	0,60	
95758	R RASACG 600 400 0,6 mm Z140	600	400	100	50	0,60	
95759	R RASACG 600 450 0,6 mm Z140	600	450	100	50	0,60	
95760	R RASACG 600 500 0,7 mm Z140	600	500	100	50	0,70	
95761	R RASACG 600 560 0,7 mm Z140	600	560	100	50	0,70	
95762	R RASACG 600 600 0,7 mm Z140	600	600	100	50	0,70	
95763	R RASACG 630 125 0,5 mm Z140	630	125	65	50	0,50	
95764	R RASACG 630 160 0,5 mm Z140	630	160	70	50	0,50	
95765	R RASACG 630 200 0,5 mm Z140	630	200	80	50	0,50	
95766	R RASACG 630 250 0,5 mm Z140	630	250	80	50	0,50	
95767	R RASACG 630 300 0,6 mm Z140	630	300	80	50	0,60	
95768	R RASACG 630 315 0,6 mm Z140	630	315	90	50	0,60	
95769	R RASACG 630 355 0,6 mm Z140	630	355	90	50	0,60	
95770	R RASACG 630 400 0,6 mm Z140	630	400	100	50	0,60	
95771	R RASACG 630 450 0,6 mm Z140	630	450	100	50	0,60	
95772	R RASACG 630 500 0,7 mm Z140	630	500	100	50	0,70	
95773	R RASACG 630 560 0,7 mm Z140	630	560	100	50	0,70	
95774	R RASACG 630 600 0,7 mm Z140	630	600	100	50	0,70	
95775	R RASACG 630 630 0,7 mm Z140	630	630	100	50	0,70	
95776	R RASACG 710 125 0,5 mm Z140	710	125	65	50	0,50	
95777	R RASACG 710 160 0,5 mm Z140	710	160	70	50	0,50	
95778	R RASACG 710 200 0,5 mm Z140	710	200	80	50	0,50	
95779	R RASACG 710 250 0,5 mm Z140	710	250	80	50	0,50	
95780	R RASACG 710 300 0,6 mm Z140	710	300	80	50	0,60	
95781	R RASACG 710 315 0,6 mm Z140	710	315	90	50	0,60	
95782	R RASACG 710 355 0,6 mm Z140	710	355	90	50	0,60	

Note

For the other sizes, please contact the commercial department.

SPIRAL®SYSTEM ROUND VENTILATION DUCTS AND FITTINGS

Segmented collar saddle R RASACG



Product Code Model

R RASACG 710 400 0,6 mm Z140



Saddles with gasket

Explanation:

R RASACG Type

710 Diameter d1 [mm]

400 Diameter d2 [mm]

0,6 mm Thickness δ [mm]

Z140 Class

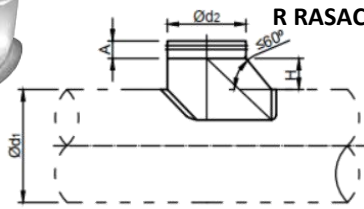
SKU	TYPE	Diameter d1 [mm]	Diameter d2 [mm]	H [mm]	A [mm]	Thickness δ [mm]	
95783	R RASACG 710 400 0,6 mm Z140	710	400	100	50	0,60	
95784	R RASACG 710 450 0,6 mm Z140	710	450	100	50	0,60	
95785	R RASACG 710 500 0,7 mm Z140	710	500	100	50	0,70	
95786	R RASACG 710 560 0,7 mm Z140	710	560	100	50	0,70	
95787	R RASACG 710 600 0,7 mm Z140	710	600	100	50	0,70	
95788	R RASACG 710 630 0,7 mm Z140	710	630	100	50	0,70	
95789	R RASACG 710 710 0,7 mm Z140	710	710	100	50	0,70	
95790	R RASACG 800 125 0,5 mm Z140	800	125	65	50	0,50	
95791	R RASACG 800 160 0,5 mm Z140	800	160	70	50	0,50	
95792	R RASACG 800 200 0,5 mm Z140	800	200	80	50	0,50	
95793	R RASACG 800 250 0,5 mm Z140	800	250	80	50	0,50	
95794	R RASACG 800 300 0,6 mm Z140	800	300	80	50	0,60	
95795	R RASACG 800 315 0,6 mm Z140	800	315	90	50	0,60	
95796	R RASACG 800 355 0,6 mm Z140	800	355	90	50	0,60	
95797	R RASACG 800 400 0,6 mm Z140	800	400	100	50	0,60	
95798	R RASACG 800 450 0,6 mm Z140	800	450	100	50	0,60	
95799	R RASACG 800 500 0,7 mm Z140	800	500	100	50	0,70	
95800	R RASACG 800 560 0,7 mm Z140	800	560	100	50	0,70	
95801	R RASACG 800 600 0,7 mm Z140	800	600	100	50	0,70	
95802	R RASACG 800 630 0,7 mm Z140	800	630	100	50	0,70	
95803	R RASACG 800 710 0,7 mm Z140	800	710	100	50	0,70	
95804	R RASACG 900 125 0,5 mm Z140	900	125	65	50	0,50	
95805	R RASACG 900 160 0,5 mm Z140	900	160	70	50	0,50	
95806	R RASACG 900 200 0,5 mm Z140	900	200	80	50	0,50	
95807	R RASACG 900 250 0,5 mm Z140	900	250	80	50	0,50	
95808	R RASACG 900 300 0,6 mm Z140	900	300	80	50	0,60	
95809	R RASACG 900 315 0,6 mm Z140	900	315	90	50	0,60	
95810	R RASACG 900 355 0,6 mm Z140	900	355	90	50	0,60	
95811	R RASACG 900 400 0,6 mm Z140	900	400	100	50	0,60	
95812	R RASACG 900 450 0,6 mm Z140	900	450	100	50	0,60	
95813	R RASACG 900 500 0,7 mm Z140	900	500	100	50	0,70	
95814	R RASACG 900 560 0,7 mm Z140	900	560	100	50	0,70	
95815	R RASACG 900 600 0,7 mm Z140	900	600	100	50	0,70	
95816	R RASACG 900 630 0,7 mm Z140	900	630	100	50	0,70	
95817	R RASACG 900 710 0,7 mm Z140	900	710	100	50	0,70	
95818	R RASACG 1000 125 0,5 mm Z140	1000	125	65	50	0,50	

Note

For the other sizes, please contact the commercial department.

SPIRAL®SYSTEM ROUND VENTILATION DUCTS AND FITTINGS

Segmented collar saddle R RASACG



Product Code Model

R RASACG 1000 160 0,5 mm Z140



Saddles with gasket

Explanation:

R RASACG Type

1000 Diameter d1 [mm]

160 Diameter d2 [mm]

0,5 mm Thickness δ [mm]

Z140 Class

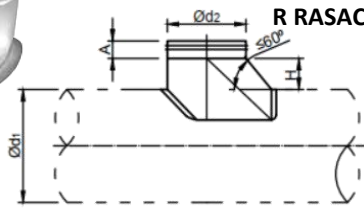
SKU	TYPE	Diameter d1 [mm]	Diameter d2 [mm]	H [mm]	A [mm]	Thickness δ [mm]	
95819	R RASACG 1000 160 0,5 mm Z140	1000	160	70	50	0,50	
95820	R RASACG 1000 200 0,5 mm Z140	1000	200	80	50	0,50	
95821	R RASACG 1000 250 0,5 mm Z140	1000	250	80	50	0,50	
95822	R RASACG 1000 300 0,6 mm Z140	1000	300	80	50	0,60	
95823	R RASACG 1000 315 0,6 mm Z140	1000	315	90	50	0,60	
95824	R RASACG 1000 355 0,6 mm Z140	1000	355	90	50	0,60	
95825	R RASACG 1000 400 0,6 mm Z140	1000	400	100	50	0,60	
95826	R RASACG 1000 450 0,6 mm Z140	1000	450	100	50	0,60	
95827	R RASACG 1000 500 0,7 mm Z140	1000	500	100	50	0,70	
95828	R RASACG 1000 560 0,7 mm Z140	1000	560	100	50	0,70	
95829	R RASACG 1000 600 0,7 mm Z140	1000	600	100	50	0,70	
95830	R RASACG 1000 630 0,7 mm Z140	1000	630	100	50	0,70	
95831	R RASACG 1000 710 0,7 mm Z140	1000	710	100	50	0,70	
95832	R RASACG 1120 125 0,5 mm Z140	1120	125	65	50	0,50	
95833	R RASACG 1120 160 0,5 mm Z140	1120	160	70	50	0,50	
95834	R RASACG 1120 200 0,5 mm Z140	1120	200	80	50	0,50	
95835	R RASACG 1120 250 0,5 mm Z140	1120	250	80	50	0,50	
95836	R RASACG 1120 300 0,6 mm Z140	1120	300	80	50	0,60	
95837	R RASACG 1120 315 0,6 mm Z140	1120	315	90	50	0,60	
95838	R RASACG 1120 355 0,6 mm Z140	1120	355	90	50	0,60	
95839	R RASACG 1120 400 0,6 mm Z140	1120	400	100	50	0,60	
95840	R RASACG 1120 450 0,6 mm Z140	1120	450	100	50	0,60	
95841	R RASACG 1120 500 0,7 mm Z140	1120	500	100	50	0,70	
95842	R RASACG 1120 560 0,7 mm Z140	1120	560	100	50	0,70	
95843	R RASACG 1120 600 0,7 mm Z140	1120	600	100	50	0,70	
95844	R RASACG 1120 630 0,7 mm Z140	1120	630	100	50	0,70	
95845	R RASACG 1120 710 0,7 mm Z140	1120	710	100	50	0,70	
95846	R RASACG 1250 125 0,5 mm Z140	1250	125	65	50	0,50	
95847	R RASACG 1250 160 0,5 mm Z140	1250	160	70	50	0,50	
95848	R RASACG 1250 200 0,5 mm Z140	1250	200	80	50	0,50	
95849	R RASACG 1250 250 0,5 mm Z140	1250	250	80	50	0,50	
95850	R RASACG 1250 300 0,6 mm Z140	1250	300	80	50	0,60	
95851	R RASACG 1250 315 0,6 mm Z140	1250	315	90	50	0,60	
95852	R RASACG 1250 355 0,6 mm Z140	1250	355	90	50	0,60	
95853	R RASACG 1250 400 0,6 mm Z140	1250	400	100	50	0,60	
95854	R RASACG 1250 450 0,6 mm Z140	1250	450	100	50	0,60	

Note

For the other sizes, please contact the commercial department.

SPIRAL®SYSTEM ROUND VENTILATION DUCTS AND FITTINGS

Segmented collar saddle R RASACG



Product Code Model

R RASACG 1250 500 0,7 mm Z140



Saddles with gasket

Explanation:

R RASACG Type

1250 Diameter d1 [mm]

500 Diameter d2 [mm]

0,7 mm Thickness δ [mm]

Z140 Class

SKU	TYPE	Diameter d1 [mm]	Diameter d2 [mm]	H [mm]	A [mm]	Thickness δ [mm]	
95855	R RASACG 1250 500 0,7 mm Z140	1250	500	100	50	0,70	
95856	R RASACG 1250 560 0,7 mm Z140	1250	560	100	50	0,70	
95857	R RASACG 1250 600 0,7 mm Z140	1250	600	100	50	0,70	
95858	R RASACG 1250 630 0,7 mm Z140	1250	630	100	50	0,70	
95859	R RASACG 1250 710 0,7 mm Z140	1250	710	100	50	0,70	
95860	R RASACG 1600 125 1 mm Z140	1600	125	65	50	1,00	
95861	R RASACG 1600 160 0,5 mm Z140	1600	160	70	50	0,50	
95862	R RASACG 1600 200 0,5 mm Z140	1600	200	80	50	0,50	
95863	R RASACG 1600 250 0,5 mm Z140	1600	250	80	50	0,50	
95864	R RASACG 1600 300 0,6 mm Z140	1600	300	80	50	0,60	
95865	R RASACG 1600 315 0,6 mm Z140	1600	315	90	50	0,60	
95866	R RASACG 1600 355 0,6 mm Z140	1600	355	90	50	0,60	
95867	R RASACG 1600 400 0,6 mm Z140	1600	400	100	50	0,60	
95868	R RASACG 1600 450 0,6 mm Z140	1600	450	100	50	0,60	
95869	R RASACG 1600 500 0,7 mm Z140	1600	500	100	50	0,70	
95870	R RASACG 1600 560 0,7 mm Z140	1600	560	100	50	0,70	
95871	R RASACG 1600 600 0,7 mm Z140	1600	600	100	50	0,70	
95872	R RASACG 1600 630 0,7 mm Z140	1600	630	100	50	0,70	
95873	R RASACG 1600 710 0,7 mm Z140	1600	710	100	50	0,70	
95874	R RASACG 800 800 0,8 mm Z140	800	800	100	50	0,80	
95875	R RASACG 900 800 0,8 mm Z140	900	800	100	50	0,80	
95876	R RASACG 900 900 0,8 mm Z140	900	900	100	50	0,80	
95877	R RASACG 1000 800 0,8 mm Z140	1000	800	100	50	0,80	
95878	R RASACG 1000 900 0,8 mm Z140	1000	900	100	50	0,80	
95879	R RASACG 1000 1000 0,8 mm Z140	1000	1000	100	50	0,80	
95880	R RASACG 1120 800 0,8 mm Z140	1120	800	100	50	0,80	
95881	R RASACG 1120 900 0,8 mm Z140	1120	900	100	50	0,80	
95882	R RASACG 1120 1000 0,8 mm Z140	1120	1000	100	50	0,80	
95883	R RASACG 1250 800 0,8 mm Z140	1250	800	100	50	0,80	
95884	R RASACG 1250 900 0,8 mm Z140	1250	900	100	50	0,80	
95885	R RASACG 1250 1000 0,8 mm Z140	1250	1000	100	50	0,80	
95886	R RASACG 1600 800 0,8 mm Z140	1600	800	100	50	0,80	
95887	R RASACG 1600 900 0,8 mm Z140	1600	900	100	50	0,80	
95888	R RASACG 1600 1000 0,8 mm Z140	1600	1000	100	50	0,80	

Note

For the other sizes, please contact the commercial department.

SPIRAL® SYSTEM ROUND VENTILATION DUCTS AND FITTINGS

**Saddles
with gasket**

Long Collar saddle R RASACRG



Description:

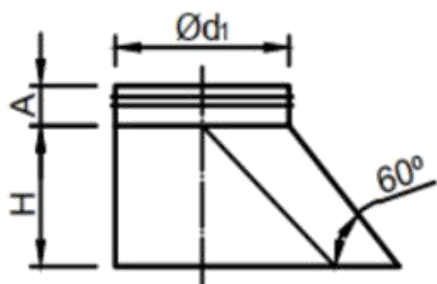
Segmented collar saddles allow fabricating from square ventilation ducts. The installation requires cutting and opening in the duct being branched and fastening the piece with rivets or screws.

Used Material:

Galvanized steel DX51, Class Z140.

Note:

The thickness of the galvanized sheet varies depending on the diameter.



Product Code Model

R RASACRG 125 0,5 mm Z140



Explanation:

R RASACRG Type

125 Diameter d1 [mm]

0,5 mm Thickness δ [mm]

Z140 Class

SKU	TYPE			Diameter d1 [mm]	H [mm]	A [mm]	Thickness δ [mm]	
95908	R RASACRG 125 0,5 mm Z140			125	80	50	0,50	
95909	R RASACRG 160 0,5 mm Z140			160	80	50	0,50	
95910	R RASACRG 200 0,5 mm Z140			200	100	50	0,50	
95911	R RASACRG 250 0,5 mm Z140			250	100	50	0,50	
95912	R RASACRG 300 0,6 mm Z140			300	125	50	0,60	
95913	R RASACRG 315 0,6 mm Z140			315	125	50	0,60	
95914	R RASACRG 355 0,6 mm Z140			355	125	50	0,60	
95915	R RASACRG 400 0,6 mm Z140			400	140	50	0,60	
95916	R RASACRG 450 0,6 mm Z140			450	140	50	0,60	
95917	R RASACRG 500 0,7 mm Z140			500	140	50	0,70	
95918	R RASACRG 560 0,7 mm Z140			560	140	50	0,70	
95919	R RASACRG 600 0,7 mm Z140			600	170	50	0,70	
95920	R RASACRG 630 0,7 mm Z140			630	170	50	0,70	
95921	R RASACRG 710 0,7 mm Z140			710	170	50	0,70	
95922	R RASACRG 800 0,8 mm Z140			800	170	50	0,80	
95923	R RASACRG 900 0,8 mm Z140			900	170	50	0,80	
95924	R RASACRG 1000 0,8 mm Z140			1000	170	50	0,80	

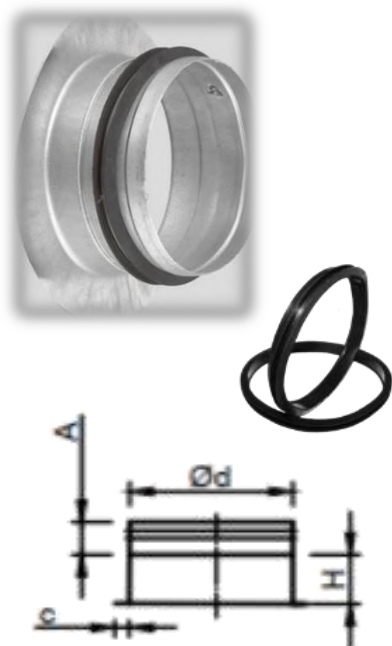
Note

For the other sizes, please contact the commercial department.

SPIRAL®SYSTEM ROUND VENTILATION DUCTS AND FITTINGS

Take-off R RASARG

Saddles with gasket



Description:

Installation requires cutting and opening of the branch duct and fixing the with rivets or screws. The joint must be sealed with an acrylic or silicone compound.

Used Material:

Galvanized steel DX51, Class Z140.

Note:

The thickness of the galvanized sheet varies depending on the diameter.

Product Code Model

R RASARG 125 0,5 mm Z140

Explanation:

R RASARG Type

125 Diameter d1 [mm]

0,5 mm Thickness δ [mm]

Z140 Class

SKU	TYPE	Diameter d1 [mm]	H [mm]	A [mm]	c [mm]	Thickness δ [mm]
95944	R RASARG 125 0,5 mm Z140	125	50	50	20	0,50
95945	R RASARG 160 0,5 mm Z140	160	50	50	20	0,50
95946	R RASARG 200 0,5 mm Z140	200	50	50	20	0,50
95947	R RASARG 250 0,5 mm Z140	250	50	50	20	0,50
95948	R RASARG 300 0,6 mm Z140	300	50	50	20	0,60
95949	R RASARG 315 0,6 mm Z140	315	50	50	20	0,60
95950	R RASARG 355 0,6 mm Z140	355	50	50	20	0,60
95951	R RASARG 400 0,6 mm Z140	400	50	50	20	0,60
95952	R RASARG 450 0,6 mm Z140	450	50	50	20	0,60
95953	R RASARG 500 0,7 mm Z140	500	50	50	20	0,70
95954	R RASARG 560 0,7 mm Z140	560	50	50	20	0,70
95955	R RASARG 600 0,7 mm Z140	600	50	50	20	0,70
95956	R RASARG 630 0,7 mm Z140	630	50	50	20	0,70
95957	R RASARG 710 0,7 mm Z140	710	50	50	20	0,70
95958	R RASARG 800 0,8 mm Z140	800	50	50	20	0,80
95959	R RASARG 900 0,8 mm Z140	900	50	50	20	0,80
95960	R RASARG 1000 0,8 mm Z140	1000	50	50	20	0,80

Note

For the other sizes, please contact the commercial department.

SPIRAL® SYSTEM ROUND VENTILATION DUCTS AND FITTINGS

**Saddles
with gasket**

Collar saddle 45° R RASAG45



Description:

Collar saddles are provided with a T-piece end leaning at 45° to the main ventilation duct.

Used Material:

Galvanized steel DX51, Class Z140.

Note:

The thickness of the galvanized sheet varies depending on the diameter.

Product Code Model

R RASAG45 125 125 0,5 mm Z140

Explanation:

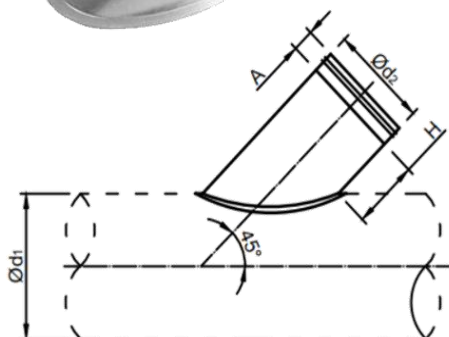
R RASAG45 Type

125 Diameter d1 [mm]

125 Diameter d2 [mm]

0,5 mm Thickness δ [mm]

Z140 Class



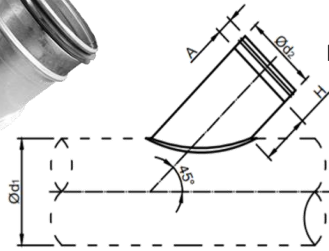
SKU	TYPE	Diameter d1 [mm]	Diameter d2 [mm]	H [mm]	A [mm]	Thickness δ [mm]	
96110	R RASAG45 125 125 0,5 mm Z140	125	125	69	50	0,50	
96111	R RASAG45 160 125 0,5 mm Z140	160	125	69	50	0,50	
96112	R RASAG45 160 160 0,5 mm Z140	160	160	82	50	0,50	
96113	R RASAG45 200 125 0,5 mm Z140	200	125	66	50	0,50	
96114	R RASAG45 200 160 0,5 mm Z140	200	160	84	50	0,50	
96115	R RASAG45 200 200 0,5 mm Z140	200	200	84	50	0,50	
96116	R RASAG45 250 125 0,5 mm Z140	250	125	71	50	0,50	
96117	R RASAG45 250 160 0,5 mm Z140	250	160	83	50	0,50	
96118	R RASAG45 250 200 0,5 mm Z140	250	200	83	50	0,50	
96119	R RASAG45 250 250 0,5 mm Z140	250	250	83	50	0,50	
96120	R RASAG45 300 125 0,5 mm Z140	300	125	75	50	0,50	
96121	R RASAG45 300 160 0,5 mm Z140	300	160	83	50	0,50	
96122	R RASAG45 300 200 0,5 mm Z140	300	200	83	50	0,50	
96123	R RASAG45 300 250 0,5 mm Z140	300	250	83	50	0,50	
96124	R RASAG45 300 300 0,6 mm Z140	300	300	98	50	0,60	
96125	R RASAG45 315 125 0,5 mm Z140	315	125	75	50	0,50	
96126	R RASAG45 315 160 0,5 mm Z140	315	160	82	50	0,50	
96127	R RASAG45 315 200 0,5 mm Z140	315	200	82	50	0,50	
96128	R RASAG45 315 250 0,5 mm Z140	315	250	82	50	0,50	
96129	R RASAG45 315 300 0,6 mm Z140	315	300	97	50	0,60	
96130	R RASAG45 315 315 0,6 mm Z140	315	315	100	50	0,60	
96131	R RASAG45 355 125 0,5 mm Z140	355	125	74	50	0,50	
96132	R RASAG45 355 160 0,5 mm Z140	355	160	84	50	0,50	
96133	R RASAG45 355 200 0,5 mm Z140	355	200	84	50	0,50	
96134	R RASAG45 355 250 0,5 mm Z140	355	250	84	50	0,50	
96135	R RASAG45 355 300 0,6 mm Z140	355	300	99	50	0,60	

Note

For the other sizes, please contact the commercial department.

SPIRAL®SYSTEM ROUND VENTILATION DUCTS AND FITTINGS

Collar saddle 45° R RASAG45



Product Code Model

R RASAG45 355 315 0,6 mm Z140



Saddles with gasket

Explanation:

R RASAG45 Type

355 Diameter d1 [mm]

315 Diameter d2 [mm]

0,6 mm Thickness δ [mm]

Z140 Class

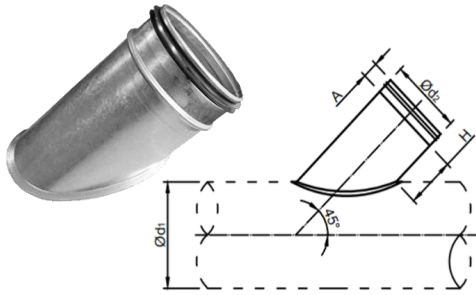
SKU	TYPE	Diameter d1 [mm]	Diameter d2 [mm]	H [mm]	A [mm]	Thickness δ [mm]	
96136	R RASAG45 355 315 0,6 mm Z140	355	315	97	50	0,60	
96137	R RASAG45 355 355 0,6 mm Z140	355	355	96	50	0,60	
96138	R RASAG45 400 125 0,5 mm Z140	400	125	75	50	0,50	
96139	R RASAG45 400 160 0,5 mm Z140	400	160	82	50	0,50	
96140	R RASAG45 400 200 0,5 mm Z140	400	200	82	50	0,50	
96141	R RASAG45 400 250 0,5 mm Z140	400	250	82	50	0,50	
96142	R RASAG45 400 300 0,6 mm Z140	400	300	97	50	0,60	
96143	R RASAG45 400 315 0,6 mm Z140	400	315	95	50	0,60	
96144	R RASAG45 400 355 0,6 mm Z140	400	355	95	50	0,60	
96145	R RASAG45 400 400 0,6 mm Z140	400	400	97	50	0,60	
96146	R RASAG45 450 125 0,5 mm Z140	450	125	75	50	0,50	
96147	R RASAG45 450 160 0,5 mm Z140	450	160	82	50	0,50	
96148	R RASAG45 450 200 0,5 mm Z140	450	200	82	50	0,50	
96149	R RASAG45 450 250 0,5 mm Z140	450	250	82	50	0,50	
96150	R RASAG45 450 300 0,6 mm Z140	450	300	97	50	0,60	
96151	R RASAG45 450 315 0,6 mm Z140	450	315	94	50	0,60	
96152	R RASAG45 450 355 0,6 mm Z140	450	355	94	50	0,60	
96153	R RASAG45 450 400 0,6 mm Z140	450	400	97	50	0,60	
96154	R RASAG45 450 450 0,6 mm Z140	450	450	97	50	0,60	
96155	R RASAG45 500 125 0,5 mm Z140	500	125	75	50	0,50	
96156	R RASAG45 500 160 0,5 mm Z140	500	160	84	50	0,50	
96157	R RASAG45 500 200 0,5 mm Z140	500	200	81	50	0,50	
96158	R RASAG45 500 250 0,5 mm Z140	500	250	81	50	0,50	
96159	R RASAG45 500 300 0,6 mm Z140	500	300	96	50	0,60	
96160	R RASAG45 500 315 0,6 mm Z140	500	315	99	50	0,60	
96161	R RASAG45 500 355 0,6 mm Z140	500	355	99	50	0,60	
96162	R RASAG45 500 400 0,6 mm Z140	500	400	96	50	0,60	
96163	R RASAG45 500 450 0,6 mm Z140	500	450	96	50	0,60	
96164	R RASAG45 500 500 0,7 mm Z140	500	500	96	50	0,70	
96165	R RASAG45 560 160 0,5 mm Z140	560	160	84	50	0,50	
96166	R RASAG45 560 200 0,5 mm Z140	560	200	84	50	0,50	
96167	R RASAG45 560 250 0,5 mm Z140	560	250	84	50	0,50	
96168	R RASAG45 560 300 0,6 mm Z140	560	300	94	50	0,60	
96169	R RASAG45 560 315 0,6 mm Z140	560	315	97	50	0,60	
96170	R RASAG45 560 355 0,6 mm Z140	560	355	97	50	0,60	
96171	R RASAG45 560 400 0,6 mm Z140	560	400	94	50	0,60	

Note

For the other sizes, please contact the commercial department.

SPIRAL®SYSTEM ROUND VENTILATION DUCTS AND FITTINGS

Collar saddle 45° R RASAG45



Product Code Model

R RASAG45 560 450 0,6 mm Z140



Saddles with gasket

Explanation:

R RASAG45 Type

560 Diameter d1 [mm]

450 Diameter d2 [mm]

0,6 mm Thickness δ [mm]

Z140 Class

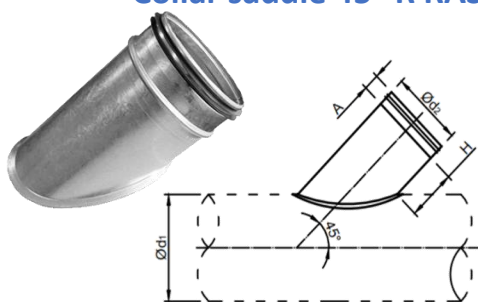
SKU	TYPE	Diameter d1 [mm]	Diameter d2 [mm]	H [mm]	A [mm]	Thickness δ [mm]	
96172	R RASAG45 560 450 0,6 mm Z140	560	450	94	50	0,60	
96173	R RASAG45 560 500 0,7 mm Z140	560	500	94	50	0,70	
96174	R RASAG45 560 560 0,7 mm Z140	560	560	124	50	0,70	
96175	R RASAG45 600 250 0,5 mm Z140	600	250	81	50	0,50	
96176	R RASAG45 600 300 0,6 mm Z140	600	300	91	50	0,60	
96177	R RASAG45 600 315 0,6 mm Z140	600	315	93	50	0,60	
96178	R RASAG45 600 355 0,6 mm Z140	600	355	93	50	0,60	
96179	R RASAG45 600 400 0,6 mm Z140	600	400	91	50	0,60	
96180	R RASAG45 600 450 0,6 mm Z140	600	450	91	50	0,60	
96181	R RASAG45 600 500 0,7 mm Z140	600	500	91	50	0,70	
96182	R RASAG45 600 560 0,7 mm Z140	600	560	121	50	0,70	
96183	R RASAG45 600 600 0,7 mm Z140	600	600	126	50	0,70	
96184	R RASAG45 630 315 0,6 mm Z140	630	315	97	50	0,60	
96185	R RASAG45 630 355 0,6 mm Z140	630	355	97	50	0,60	
96186	R RASAG45 630 400 0,6 mm Z140	630	400	95	50	0,60	
96187	R RASAG45 630 450 0,6 mm Z140	630	450	95	50	0,60	
96188	R RASAG45 630 500 0,7 mm Z140	630	500	95	50	0,70	
96189	R RASAG45 630 560 0,7 mm Z140	630	560	125	50	0,70	
96190	R RASAG45 630 600 0,7 mm Z140	630	600	125	50	0,70	
96191	R RASAG45 630 630 0,7 mm Z140	630	630	125	50	0,70	
96192	R RASAG45 710 315 0,6 mm Z140	710	315	95	50	0,60	
96193	R RASAG45 710 355 0,6 mm Z140	710	355	95	50	0,60	
96194	R RASAG45 710 400 0,6 mm Z140	710	400	98	50	0,60	
96195	R RASAG45 710 450 0,6 mm Z140	710	450	98	50	0,60	
96196	R RASAG45 710 500 0,7 mm Z140	710	500	98	50	0,70	
96197	R RASAG45 710 560 0,7 mm Z140	710	560	123	50	0,70	
96198	R RASAG45 710 600 0,7 mm Z140	710	600	123	50	0,70	
96199	R RASAG45 710 630 0,7 mm Z140	710	630	123	50	0,70	
96200	R RASAG45 710 710 0,7 mm Z140	710	710	123	50	0,70	
96201	R RASAG45 800 315 0,6 mm Z140	800	315	97	50	0,60	
96202	R RASAG45 800 355 0,6 mm Z140	800	355	97	50	0,60	
96203	R RASAG45 800 400 0,6 mm Z140	800	400	94	50	0,60	
96204	R RASAG45 800 450 0,6 mm Z140	800	450	94	50	0,60	
96205	R RASAG45 800 500 0,7 mm Z140	800	500	94	50	0,70	
96206	R RASAG45 800 560 0,7 mm Z140	800	560	124	50	0,70	
96207	R RASAG45 800 600 0,7 mm Z140	800	600	124	50	0,70	

Note

For the other sizes, please contact the commercial department.

SPIRAL®SYSTEM ROUND VENTILATION DUCTS AND FITTINGS

Collar saddle 45° R RASAG45



Product Code Model

R RASAG45 800 630 0,7 mm Z140



**Saddles
with gasket**

Explanation:

R RASAG45 Type

800 Diameter d1 [mm]

630 Diameter d2 [mm]

0,7 mm Thickness δ [mm]

Z140 Class

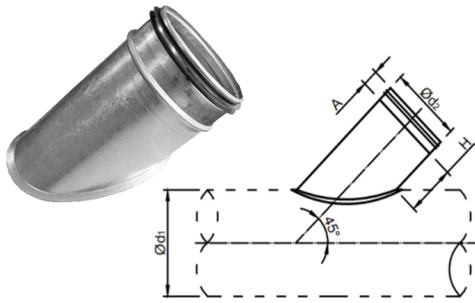
SKU	TYPE	Diameter d1 [mm]	Diameter d2 [mm]	H [mm]	A [mm]	Thickness δ [mm]	
96208	R RASAG45 800 630 0,7 mm Z140	800	630	124	50	0,70	
96209	R RASAG45 800 710 0,7 mm Z140	800	710	124	50	0,70	
96210	R RASAG45 900 355 0,6 mm Z140	900	355	96	50	0,60	
96211	R RASAG45 900 400 0,6 mm Z140	900	400	99	50	0,60	
96212	R RASAG45 900 450 0,6 mm Z140	900	450	99	50	0,60	
96213	R RASAG45 900 500 0,7 mm Z140	900	500	94	50	0,70	
96214	R RASAG45 900 560 0,7 mm Z140	900	560	124	50	0,70	
96215	R RASAG45 900 600 0,7 mm Z140	900	600	124	50	0,70	
96216	R RASAG45 900 630 0,7 mm Z140	900	630	124	50	0,70	
96217	R RASAG45 900 710 0,7 mm Z140	900	710	124	50	0,70	
96218	R RASAG45 1000 400 0,6 mm Z140	1000	400	98	50	0,60	
96219	R RASAG45 1000 450 0,6 mm Z140	1000	450	98	50	0,60	
96220	R RASAG45 1000 500 0,7 mm Z140	1000	500	98	50	0,70	
96221	R RASAG45 1000 560 0,7 mm Z140	1000	560	123	50	0,70	
96222	R RASAG45 1000 600 0,7 mm Z140	1000	600	123	50	0,70	
96223	R RASAG45 1000 630 0,7 mm Z140	1000	630	123	50	0,70	
96224	R RASAG45 1000 710 0,7 mm Z140	1000	710	123	50	0,70	
96225	R RASAG45 1120 500 0,7 mm Z140	1120	500	98	50	0,70	
96226	R RASAG45 1120 560 0,7 mm Z140	1120	560	123	50	0,70	
96227	R RASAG45 1120 600 0,7 mm Z140	1120	600	123	50	0,70	
96228	R RASAG45 1120 630 0,7 mm Z140	1120	630	123	50	0,70	
96229	R RASAG45 1120 710 0,7 mm Z140	1120	710	123	50	0,70	
96230	R RASAG45 1250 500 0,7 mm Z140	1250	500	96	50	0,70	
96231	R RASAG45 1250 560 0,7 mm Z140	1250	560	126	50	0,70	
96232	R RASAG45 1250 600 0,7 mm Z140	1250	600	126	50	0,70	
96233	R RASAG45 1250 630 0,7 mm Z140	1250	630	126	50	0,70	
96234	R RASAG45 1250 710 0,7 mm Z140	1250	710	126	50	0,70	
96235	R RASAG45 1600 560 0,7 mm Z140	1600	560	151	50	0,70	
96236	R RASAG45 1600 600 0,7 mm Z140	1600	600	151	50	0,70	
96237	R RASAG45 1600 630 0,7 mm Z140	1600	630	151	50	0,70	
96238	R RASAG45 1600 710 0,7 mm Z140	1600	710	151	50	0,70	
96239	R RASAG45 800 800 0,8 mm Z140	800	800	124	50	0,80	
96240	R RASAG45 900 800 0,8 mm Z140	900	800	124	50	0,80	
96241	R RASAG45 900 900 0,8 mm Z140	900	900	124	50	0,80	
96242	R RASAG45 1000 800 0,8 mm Z140	1000	800	123	50	0,80	
96243	R RASAG45 1000 900 0,8 mm Z140	1000	900	123	50	0,80	

Note

For the other sizes, please contact the commercial department.

SPIRAL®SYSTEM ROUND VENTILATION DUCTS AND FITTINGS

Collar saddle 45° R RASAG45



Product Code Model

R RASAG45 1000 1000 0,8 mm Z140



**Saddles
with gasket**

Explanation:

R RASAG45 Type

1000 Diameter d1 [mm]

1000 Diameter d2 [mm]

0,8 mm Thickness δ [mm]

Z140 Class

SKU	TYPE	Diameter d1 [mm]	Diameter d2 [mm]	H [mm]	A [mm]	Thickness δ [mm]	
96244	R RASAG45 1000 1000 0,8 mm Z140	1000	1000	123	50	0,80	
96245	R RASAG45 1120 800 0,8 mm Z140	1120	800	123	50	0,80	
96246	R RASAG45 1120 900 0,8 mm Z140	1120	900	123	50	0,80	
96247	R RASAG45 1120 1000 0,8 mm Z140	1120	1000	123	50	0,80	
96248	R RASAG45 1250 800 0,8 mm Z140	1250	800	126	50	0,80	
96249	R RASAG45 1250 900 0,8 mm Z140	1250	900	126	50	0,80	
96250	R RASAG45 1250 1000 0,8 mm Z140	1250	1000	126	50	0,80	
96251	R RASAG45 1600 800 0,8 mm Z140	1600	800	151	50	0,80	
96252	R RASAG45 1600 900 0,8 mm Z140	1600	900	151	50	0,80	
96253	R RASAG45 1600 1000 0,8 mm Z140	1600	1000	151	50	0,80	

Note

For the other sizes, please contact the commercial department.

SPIRAL®SYSTEM ROUND VENTILATION DUCTS AND FITTINGS

Full-size collar saddle R RASAEG



Description:

Full-size segmented collar saddles allow fabricating round duct branches at the ductwork points that can only be defined when the main ventilation ducts have been installed.

Used Material:

Galvanized steel DX51, Class Z140.

Note:

The thickness of the galvanized sheet varies depending on the diameter.

Product Code Model

R RASAEG 125 160 0,5 mm Z140

Explanation:

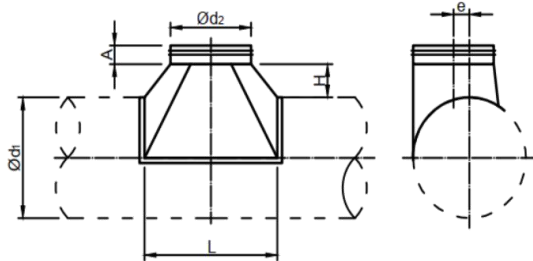
R RASAEG Type

125 Diameter d1 [mm]

160 Diameter d2 [mm]

0,5 mm Thickness δ [mm]

Z140 Class



A = 50 [mm]

SKU	TYPE	Diameter d1 [mm]	Diameter d2 [mm]	L [mm]	H [mm]	e [mm]	Thickness δ [mm]
96447	R RASAEG 125 160 0,5 mm Z140	125	160	260,0	80	17,5	0,50
96448	R RASAEG 125 200 0,5 mm Z140	125	200	300,0	80	37,5	0,50
96449	R RASAEG 160 125 0,5 mm Z140	160	125	190,0	50	17,5	0,50
96450	R RASAEG 160 200 0,5 mm Z140	160	200	280,0	65	20	0,50
96451	R RASAEG 160 250 0,5 mm Z140	160	250	330,0	65	45	0,50
96452	R RASAEG 200 125 0,5 mm Z140	200	125	185,0	50	37,5	0,50
96453	R RASAEG 200 160 0,5 mm Z140	200	160	220,0	50	20	0,50
96454	R RASAEG 200 250 0,5 mm Z140	200	250	330,0	65	25	0,50
96455	R RASAEG 200 300 0,6 mm Z140	200	300	390,0	75	50	0,60
96456	R RASAEG 200 315 0,6 mm Z140	200	315	410,0	75	57,5	0,60
96457	R RASAEG 250 125 0,5 mm Z140	250	125	185,0	50	62,5	0,50
96458	R RASAEG 250 160 0,5 mm Z140	250	160	220,0	50	45	0,50
96459	R RASAEG 250 200 0,5 mm Z140	250	200	280,0	65	25	0,50
96460	R RASAEG 250 300 0,6 mm Z140	250	300	390,0	75	25	0,60
96461	R RASAEG 250 315 0,6 mm Z140	250	315	410,0	75	32,5	0,60
96462	R RASAEG 250 355 0,6 mm Z140	250	355	460,0	85	52,5	0,60
96463	R RASAEG 250 400 0,6 mm Z140	250	400	500,0	85	75	0,60
96464	R RASAEG 300 125 0,5 mm Z140	300	125	185,0	50	87,5	0,50
96465	R RASAEG 300 160 0,5 mm Z140	300	160	220,0	50	70	0,50
96466	R RASAEG 300 200 0,5 mm Z140	300	200	280,0	65	50	0,50
96467	R RASAEG 300 250 0,5 mm Z140	300	250	330,0	65	25	0,50
96468	R RASAEG 300 315 0,6 mm Z140	300	315	405,0	75	7,5	0,60
96469	R RASAEG 300 355 0,6 mm Z140	300	355	455,0	85	27,5	0,60
96470	R RASAEG 300 400 0,6 mm Z140	300	400	500,0	85	50	0,60
96471	R RASAEG 300 450 0,6 mm Z140	300	450	550,0	85	75	0,60
96472	R RASAEG 315 125 0,5 mm Z140	315	125	185,0	50	95	0,50

Note

For the other sizes, please contact the commercial department.



SPIRAL® SYSTEM ROUND VENTILATION DUCTS AND FITTINGS

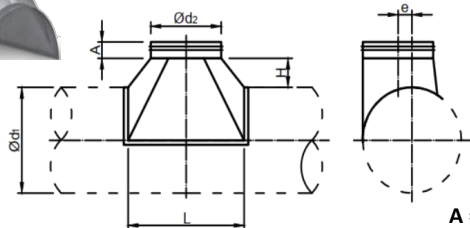
**Saddles
with gasket**

Full-size collar saddle R RASAEG



Product Code Model

R RASAEG 315 160 0,5 mm Z140



A = 50 [mm]

Explanation:

R RASAEG Type

315 Diameter d1 [mm]

160 Diameter d2 [mm]

0,5 mm Thickness δ [mm]

Z140 Class

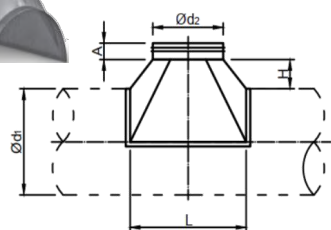
SKU	TYPE	Diameter d1 [mm]	Diameter d2 [mm]	L [mm]	H [mm]	e [mm]	Thickness δ [mm]
96473	R RASAEG 315 160 0,5 mm Z140	315	160	220	50	77,5	0,50
96474	R RASAEG 315 200 0,5 mm Z140	315	200	265	56	57,5	0,50
96475	R RASAEG 315 250 0,5 mm Z140	315	250	330	65	32,5	0,50
96476	R RASAEG 315 300 0,6 mm Z140	315	300	390	75	7,5	0,60
96477	R RASAEG 315 355 0,6 mm Z140	315	355	455	85	20	0,60
96478	R RASAEG 315 400 0,6 mm Z140	315	400	500	85	42,5	0,60
96479	R RASAEG 315 450 0,6 mm Z140	315	450	550	85	67,5	0,60
96480	R RASAEG 315 500 0,7 mm Z140	315	500	605	90	92,5	0,70
96481	R RASAEG 355 125 0,5 mm Z140	355	125	185	50	115	0,50
96482	R RASAEG 355 160 0,5 mm Z140	355	160	220	50	97,5	0,50
96483	R RASAEG 355 200 0,5 mm Z140	355	200	280	65	77,5	0,50
96484	R RASAEG 355 250 0,5 mm Z140	355	250	330	65	52,5	0,50
96485	R RASAEG 355 300 0,6 mm Z140	355	300	390	75	27,5	0,60
96486	R RASAEG 355 315 0,6 mm Z140	355	315	405	75	20	0,60
96487	R RASAEG 355 400 0,6 mm Z140	355	400	500	85	22,5	0,60
96488	R RASAEG 355 450 0,7 mm Z140	355	450	550	85	47,5	0,70
96489	R RASAEG 355 500 0,7 mm Z140	355	500	605	90	72,5	0,70
96490	R RASAEG 355 560 0,7 mm Z140	355	560	665	90	102,5	0,70
96491	R RASAEG 400 125 0,5 mm Z140	400	125	185	50	137,5	0,50
96492	R RASAEG 400 160 0,5 mm Z140	400	160	220	50	120	0,50
96493	R RASAEG 400 200 0,5 mm Z140	400	200	280	65	100	0,50
96494	R RASAEG 400 250 0,5 mm Z140	400	250	330	65	75	0,50
96495	R RASAEG 400 300 0,6 mm Z140	400	300	390	75	50	0,60
96496	R RASAEG 400 315 0,6 mm Z140	400	315	405	75	42,5	0,60
96497	R RASAEG 400 355 0,6 mm Z140	400	355	455	85	22,5	0,60
96498	R RASAEG 400 450 0,7 mm Z140	400	450	550	85	25	0,70
96499	R RASAEG 400 500 0,7 mm Z140	400	500	605	90	50	0,70
96500	R RASAEG 400 560 0,7 mm Z140	400	560	665	90	80	0,70
96501	R RASAEG 400 600 0,7 mm Z140	400	600	705	90	100	0,70
96502	R RASAEG 400 630 0,7 mm Z140	400	630	735	90	115	0,70
96503	R RASAEG 450 160 0,5 mm Z140	450	160	220	50	145	0,50
96504	R RASAEG 450 200 0,5 mm Z140	450	200	280	65	125	0,50
96505	R RASAEG 450 250 0,5 mm Z140	450	250	330	65	100	0,50
96506	R RASAEG 450 300 0,6 mm Z140	450	300	390	75	75	0,60
96507	R RASAEG 450 315 0,6 mm Z140	450	315	405	75	67,5	0,60
96508	R RASAEG 450 355 0,6 mm Z140	450	355	455	85	47,5	0,60

Note

For the other sizes, please contact the commercial department.

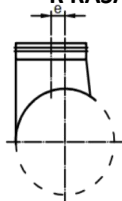
SPIRAL® SYSTEM ROUND VENTILATION DUCTS AND FITTINGS

Full-size collar saddle R RASAEG



Product Code Model

R RASAEG 450 400 0,6 mm Z140



A = 50 [mm]

Saddles with gasket

Explanation:

R RASAEG Type

450 Diameter d1 [mm]

400 Diameter d2 [mm]

0,6 mm Thickness δ [mm]

Z140 Class

SKU	TYPE	Diameter d1 [mm]	Diameter d2 [mm]	L [mm]	H [mm]	e [mm]	Thickness δ [mm]
96509	R RASAEG 450 400 0,6 mm Z140	450	400	500	85	25	0,60
96510	R RASAEG 450 500 0,7 mm Z140	450	500	605	90	25	0,70
96511	R RASAEG 450 560 0,7 mm Z140	450	560	665	90	55	0,70
96512	R RASAEG 450 600 0,7 mm Z140	450	600	705	90	75	0,70
96513	R RASAEG 450 630 0,7 mm Z140	450	630	735	90	90	0,70
96514	R RASAEG 450 710 0,7 mm Z140	450	710	815	90	130	0,70
96515	R RASAEG 500 200 0,5 mm Z140	500	200	280	65	150	0,50
96516	R RASAEG 500 250 0,5 mm Z140	500	250	330	65	125	0,50
96517	R RASAEG 500 300 0,6 mm Z140	500	300	390	75	100	0,60
96518	R RASAEG 500 315 0,6 mm Z140	500	315	405	75	92,5	0,60
96519	R RASAEG 500 355 0,6 mm Z140	500	355	455	85	72,5	0,60
96520	R RASAEG 500 400 0,6 mm Z140	500	400	500	85	50	0,60
96521	R RASAEG 500 450 0,6 mm Z140	500	450	550	85	25	0,60
96522	R RASAEG 500 560 0,7 mm Z140	500	560	665	90	30	0,70
96523	R RASAEG 500 600 0,7 mm Z140	500	600	705	90	50	0,70
96524	R RASAEG 500 630 0,7 mm Z140	500	630	735	90	65	0,70
96525	R RASAEG 500 710 0,7 mm Z140	500	710	815	90	105	0,70
96526	R RASAEG 500 800 0,8 mm Z140	500	800	905	90	150	0,80
96527	R RASAEG 560 200 0,5 mm Z140	560	200	280	65	180	0,50
96528	R RASAEG 560 250 0,5 mm Z140	560	250	330	65	155	0,50
96529	R RASAEG 560 300 0,6 mm Z140	560	300	390	75	130	0,60
96530	R RASAEG 560 315 0,6 mm Z140	560	315	405	75	122,5	0,60
96531	R RASAEG 560 355 0,6 mm Z140	560	355	455	85	102,5	0,60
96532	R RASAEG 560 400 0,6 mm Z140	560	400	500	85	80	0,60
96533	R RASAEG 560 450 0,6 mm Z140	560	450	550	85	55	0,60
96534	R RASAEG 560 500 0,7 mm Z140	560	500	605	90	30	0,70
96535	R RASAEG 560 600 0,7 mm Z140	560	600	705	90	20	0,70
96536	R RASAEG 560 630 0,7 mm Z140	560	630	735	90	35	0,70
96537	R RASAEG 560 710 0,7 mm Z140	560	710	815	90	75	0,70
96538	R RASAEG 600 200 0,5 mm Z140	600	200	280	65	200	0,50
96539	R RASAEG 600 250 0,5 mm Z140	600	250	330	65	175	0,50
96540	R RASAEG 600 300 0,6 mm Z140	600	300	390	75	150	0,60
96541	R RASAEG 600 315 0,6 mm Z140	600	315	405	75	142,5	0,60
96542	R RASAEG 600 355 0,6 mm Z140	600	355	455	85	122,5	0,60
96543	R RASAEG 600 400 0,6 mm Z140	600	400	500	85	100	0,60
96544	R RASAEG 600 450 0,6 mm Z140	600	450	550	85	75	0,60

Note

For the other sizes, please contact the commercial department.

SPIRAL® SYSTEM ROUND VENTILATION DUCTS AND FITTINGS

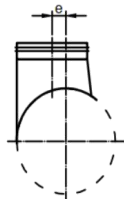
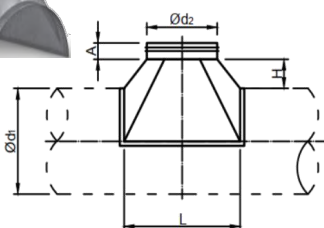
Full-size collar saddle R RASAEG

**Saddles
with gasket**



Product Code Model

R RASAEG 600 500 0,7 mm Z140



A = 50 [mm]

Explanation:

R RASAEG Type

600 Diameter d1 [mm]

500 Diameter d2 [mm]

0,7 mm Thickness δ [mm]

Z140 Class

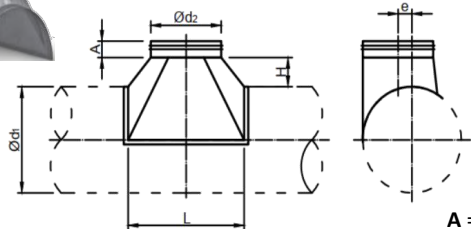
SKU	TYPE	Diameter d1 [mm]	Diameter d2 [mm]	L [mm]	H [mm]	e [mm]	Thickness δ [mm]
96545	R RASAEG 600 500 0,7 mm Z140	600	500	605	90	50	0,70
96546	R RASAEG 600 560 0,7 mm Z140	600	560	665	90	20	0,70
96547	R RASAEG 600 630 0,7 mm Z140	600	630	735	90	15	0,70
96548	R RASAEG 600 710 0,7 mm Z140	600	710	815	90	55	0,70
96549	R RASAEG 630 200 0,5 mm Z140	630	200	280	65	215	0,50
96550	R RASAEG 630 250 0,5 mm Z140	630	250	330	65	190	0,50
96551	R RASAEG 630 300 0,6 mm Z140	630	300	390	75	165	0,60
96552	R RASAEG 630 315 0,6 mm Z140	630	315	405	75	157,5	0,60
96553	R RASAEG 630 355 0,6 mm Z140	630	355	455	85	137,5	0,60
96554	R RASAEG 630 400 0,6 mm Z140	630	400	500	85	115	0,60
96555	R RASAEG 630 450 0,6 mm Z140	630	450	550	85	90	0,60
96556	R RASAEG 630 500 0,7 mm Z140	630	500	605	90	65	0,70
96557	R RASAEG 630 560 0,7 mm Z140	630	560	665	90	35	0,70
96558	R RASAEG 630 600 0,7 mm Z140	630	600	705	90	15	0,70
96559	R RASAEG 630 710 0,7 mm Z140	630	710	815	90	40	0,70
96560	R RASAEG 710 250 0,5 mm Z140	710	250	330	65	230	0,50
96561	R RASAEG 710 300 0,6 mm Z140	710	300	390	75	205	0,60
96562	R RASAEG 710 315 0,6 mm Z140	710	315	405	75	197,5	0,60
96563	R RASAEG 710 355 0,6 mm Z140	710	355	455	85	177,5	0,60
96564	R RASAEG 710 400 0,6 mm Z140	710	400	500	85	155	0,60
96565	R RASAEG 710 450 0,6 mm Z140	710	450	550	85	130	0,60
96566	R RASAEG 710 500 0,7 mm Z140	710	500	605	90	105	0,70
96567	R RASAEG 710 560 0,7 mm Z140	710	560	665	90	75	0,70
96568	R RASAEG 710 600 0,7 mm Z140	710	600	705	90	55	0,70
96569	R RASAEG 710 630 0,7 mm Z140	710	630	735	90	40	0,70
96526	R RASAEG 500 800 0,8 mm Z140	500	800	905	90	150	0,80
96571	R RASAEG 560 800 0,8 mm Z140	560	800	905	90	120	0,80
96572	R RASAEG 560 900 0,8 mm Z140	560	900	1005	90	170	0,80
96573	R RASAEG 600 800 0,8 mm Z140	600	800	905	90	100	0,80
96574	R RASAEG 600 900 0,8 mm Z140	600	900	1005	90	150	0,80
96575	R RASAEG 630 800 0,8 mm Z140	630	800	905	90	85	0,80
96576	R RASAEG 630 900 0,8 mm Z140	630	900	1005	90	135	0,80
96577	R RASAEG 630 1000 0,8 mm Z140	630	1000	1105	90	185	0,80
96578	R RASAEG 710 800 0,8 mm Z140	710	800	905	90	45	0,80
96579	R RASAEG 710 900 0,8 mm Z140	710	900	1005	90	95	0,80
96580	R RASAEG 710 1000 0,8 mm Z140	710	1000	1105	90	145	0,80

Note

For the other sizes, please contact the commercial department.

SPIRAL® SYSTEM ROUND VENTILATION DUCTS AND FITTINGS

Full-size collar saddle R RASAEG



Product Code Model

R RASAEG 800 250 0,5 mm Z140



A = 50 [mm]

Saddles with gasket

Explanation:

- R RASAEG Type
- 800** Diameter d1 [mm]
- 250** Diameter d2 [mm]
- 0,5 mm** Thickness δ [mm]
- Z140** Class

SKU	TYPE	Diameter d1 [mm]	Diameter d2 [mm]	L [mm]	H [mm]	e [mm]	Thickness δ [mm]
96581	R RASAEG 800 250 0,5 mm Z140	800	250	330	65	275	0,50
96582	R RASAEG 800 300 0,6 mm Z140	800	300	390	75	250	0,60
96583	R RASAEG 800 315 0,6 mm Z140	800	315	405	75	243	0,60
96584	R RASAEG 800 355 0,6 mm Z140	800	355	455	85	223	0,60
96585	R RASAEG 800 400 0,6 mm Z140	800	400	500	85	200	0,60
96586	R RASAEG 800 450 0,6 mm Z140	800	450	550	85	175	0,60
96587	R RASAEG 800 500 0,7 mm Z140	800	500	605	90	150	0,70
96588	R RASAEG 800 560 0,7 mm Z140	800	560	665	90	120	0,70
96589	R RASAEG 800 600 0,7 mm Z140	800	600	705	90	100	0,70
96590	R RASAEG 800 630 0,7 mm Z140	800	630	735	90	85	0,70
96591	R RASAEG 800 710 0,7 mm Z140	800	710	815	90	45	0,70
96592	R RASAEG 800 900 0,8 mm Z140	800	900	1005	90	50	0,80
96593	R RASAEG 800 1000 0,8 mm Z140	800	1000	1105	90	100	0,80
96594	R RASAEG 900 315 0,6 mm Z140	900	315	405	75	293	0,60
96595	R RASAEG 900 355 0,6 mm Z140	900	355	455	85	273	0,60
96596	R RASAEG 900 400 0,6 mm Z140	900	400	500	85	250	0,60
96597	R RASAEG 900 450 0,6 mm Z140	900	450	550	85	225	0,60
96598	R RASAEG 900 500 0,7 mm Z140	900	500	605	90	200	0,70
96599	R RASAEG 900 560 0,7 mm Z140	900	560	665	90	170	0,70
96600	R RASAEG 900 600 0,7 mm Z140	900	600	705	90	150	0,70
96601	R RASAEG 900 630 0,7 mm Z140	900	630	735	90	135	0,70
96602	R RASAEG 900 710 0,7 mm Z140	900	710	815	90	95	0,70
96603	R RASAEG 900 800 0,8 mm Z140	900	800	905	90	50	0,80
96604	R RASAEG 900 1000 0,8 mm Z140	900	1000	1105	90	50	0,80
96605	R RASAEG 1000 315 0,6 mm Z140	1000	315	405	75	343	0,60
96606	R RASAEG 1000 355 0,6 mm Z140	1000	355	455	85	323	0,60
96607	R RASAEG 1000 400 0,6 mm Z140	1000	400	500	85	300	0,60
96608	R RASAEG 1000 450 0,6 mm Z140	1000	450	550	85	275	0,60
96609	R RASAEG 1000 500 0,7 mm Z140	1000	500	605	90	250	0,70
96610	R RASAEG 1000 560 0,7 mm Z140	1000	560	665	90	220	0,70
96611	R RASAEG 1000 600 0,7 mm Z140	1000	600	705	90	200	0,70
96612	R RASAEG 1000 630 0,7 mm Z140	1000	630	735	90	185	0,70
96613	R RASAEG 1000 710 0,7 mm Z140	1000	710	815	90	145	0,70
96614	R RASAEG 1000 800 0,8 mm Z140	1000	800	905	90	100	0,80
96615	R RASAEG 1000 900 0,8 mm Z140	1000	900	1005	90	50	0,80
96616	R RASAEG 1120 500 0,7 mm Z140	1120	500	605	90	310	0,70

Note

For the other sizes, please contact the commercial department.

SPIRAL® SYSTEM ROUND VENTILATION DUCTS AND FITTINGS

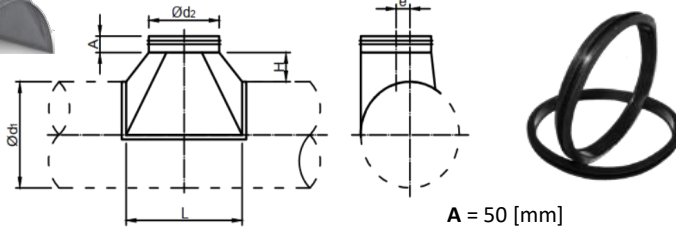
**Saddles
with gasket**

Full-size collar saddle R RASAEG



Product Code Model

R RASAEG 1120 560 0,7 mm Z140



Explanation:

R RASAEG Type

1120 Diameter d1 [mm]

560 Diameter d2 [mm]

0,7 mm Thickness δ [mm]

Z140 Class

SKU	TYPE	Diameter d1 [mm]	Diameter d2 [mm]	L [mm]	H [mm]	e [mm]	Thickness δ [mm]	
96617	R RASAEG 1120 560 0,7 mm Z140	1120	560	665	90	280	0,70	
96618	R RASAEG 1120 600 0,7 mm Z140	1120	600	705	90	260	0,70	
96619	R RASAEG 1120 630 0,7 mm Z140	1120	630	735	90	245	0,70	
96620	R RASAEG 1120 710 0,7 mm Z140	1120	710	815	90	205	0,70	
96621	R RASAEG 1120 800 0,8 mm Z140	1120	800	905	90	160	0,80	
96622	R RASAEG 1120 900 0,8 mm Z140	1120	900	1005	90	110	0,80	
96623	R RASAEG 1120 1000 0,8 mm Z140	1120	1000	1105	90	60	0,80	
96624	R RASAEG 1250 500 0,7 mm Z140	1250	500	605	90	375	0,70	
96625	R RASAEG 1250 560 0,7 mm Z140	1250	560	665	90	345	0,70	
96626	R RASAEG 1250 600 0,7 mm Z140	1250	600	705	90	325	0,70	
96627	R RASAEG 1250 630 0,7 mm Z140	1250	630	735	90	310	0,70	
96628	R RASAEG 1250 710 0,7 mm Z140	1250	710	815	90	270	0,70	
96629	R RASAEG 1250 800 0,8 mm Z140	1250	800	905	90	225	0,80	
96630	R RASAEG 1250 900 0,8 mm Z140	1250	900	1005	90	175	0,80	
96631	R RASAEG 1250 1000 0,8 mm Z140	1250	1000	1105	90	125	0,80	

Note

For the other sizes, please contact the commercial department.

SPIRAL®SYSTEM ROUND VENTILATION DUCTS AND FITTINGS

Segmented T-pieces
with gasket

Segmented T-piece R TECTSAG



Description:

Connecting sections of spiral duct together creating a 90° spigot

Used Material:

Galvanized steel DX51, Class Z140.

Note:

The thickness of the galvanized sheet varies depending on the diameter.

Product Code Model

R TECTSAG 125 125 0,5 mm Z140

Explanation:

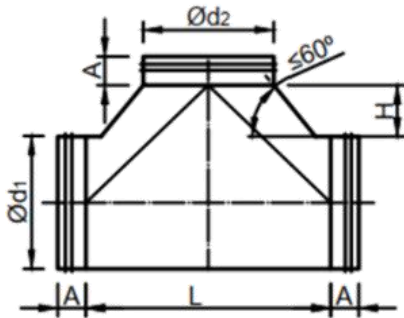
R TECTSAG Type

125 Diameter d1 [mm]

125 Diameter d2 [mm]

0,5 mm Thickness δ [mm]

Z140 Class



A = 50 [mm]

SKU	TYPE	Diameter d1 [mm]	Diameter d2 [mm]	L [mm]	H [mm]	Thickness δ [mm]	
96844	R TECTSAG 125 125 0,5 mm Z140	125	125	206	70	0,50	
96845	R TECTSAG 125 160 0,5 mm Z140	125	160	241	70	0,50	
96846	R TECTSAG 125 200 0,5 mm Z140	125	200	281	70	0,50	
96847	R TECTSAG 160 125 0,5 mm Z140	160	125	206	70	0,50	
96848	R TECTSAG 160 160 0,5 mm Z140	160	160	241	70	0,50	
96849	R TECTSAG 160 200 0,5 mm Z140	160	200	281	70	0,50	
96850	R TECTSAG 160 250 0,5 mm Z140	160	250	331	70	0,50	
96851	R TECTSAG 200 125 0,5 mm Z140	200	125	206	70	0,50	
96852	R TECTSAG 200 160 0,5 mm Z140	200	160	241	70	0,50	
96853	R TECTSAG 200 200 0,5 mm Z140	200	200	281	70	0,50	
96854	R TECTSAG 200 250 0,5 mm Z140	200	250	331	70	0,50	
96855	R TECTSAG 200 300 0,5 mm Z140	200	300	387	75	0,50	
96856	R TECTSAG 200 315 0,5 mm Z140	200	315	402	75	0,50	
96857	R TECTSAG 250 125 0,5 mm Z140	250	125	206	70	0,50	
96858	R TECTSAG 250 160 0,5 mm Z140	250	160	241	70	0,50	
96859	R TECTSAG 250 200 0,5 mm Z140	250	200	281	70	0,50	
96860	R TECTSAG 250 250 0,5 mm Z140	250	250	331	70	0,50	
96861	R TECTSAG 250 300 0,5 mm Z140	250	300	387	75	0,50	
96862	R TECTSAG 250 315 0,5 mm Z140	250	315	402	75	0,50	
96863	R TECTSAG 250 355 0,5 mm Z140	250	355	454	85	0,50	
96864	R TECTSAG 250 400 0,5 mm Z140	250	400	499	85	0,50	
96865	R TECTSAG 300 125 0,6 mm Z140	300	125	206	70	0,60	
96866	R TECTSAG 300 160 0,6 mm Z140	300	160	241	70	0,60	
96867	R TECTSAG 300 200 0,6 mm Z140	300	200	281	70	0,60	
96868	R TECTSAG 300 250 0,6 mm Z140	300	250	331	70	0,60	
96869	R TECTSAG 300 300 0,6 mm Z140	300	300	387	75	0,60	

Note

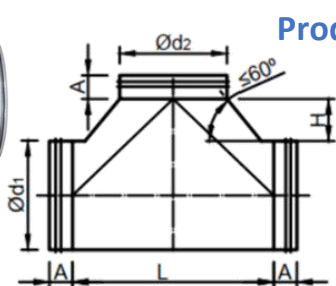
For the other sizes, please contact the commercial department.



SPIRAL® SYSTEM ROUND VENTILATION DUCTS AND FITTINGS

Segmented T-pieces with gasket

Segmented T-piece R TECTSAG



Product Code Model

R TECTSAG 300 315 0,6 mm Z140



A = 50 [mm]

Explanation:

R TECTSAG Type

300 Diameter d1 [mm]

315 Diameter d2 [mm]

0,6 mm Thickness δ [mm]

Z140 Class

SKU	TYPE	Diameter d1 [mm]	Diameter d2 [mm]	L [mm]	H [mm]	Thickness δ [mm]	
96870	R TECTSAG 300 315 0,6 mm Z140	300	315	402	75	0,60	
96871	R TECTSAG 300 355 0,6 mm Z140	300	355	454	85	0,60	
96872	R TECTSAG 300 400 0,6 mm Z140	300	400	499	85	0,60	
96873	R TECTSAG 300 450 0,6 mm Z140	300	450	549	85	0,60	
96874	R TECTSAG 315 125 0,6 mm Z140	315	125	206	70	0,60	
96875	R TECTSAG 315 160 0,6 mm Z140	315	160	241	70	0,60	
96876	R TECTSAG 315 200 0,6 mm Z140	315	200	281	70	0,60	
96877	R TECTSAG 315 250 0,6 mm Z140	315	250	331	70	0,60	
96878	R TECTSAG 315 300 0,6 mm Z140	315	300	391	78	0,60	
96879	R TECTSAG 315 315 0,6 mm Z140	315	315	406	78	0,60	
96880	R TECTSAG 315 355 0,6 mm Z140	315	355	457	88	0,60	
96881	R TECTSAG 315 400 0,6 mm Z140	315	400	502	88	0,60	
96882	R TECTSAG 315 450 0,6 mm Z140	315	450	552	88	0,60	
96883	R TECTSAG 315 500 0,6 mm Z140	315	500	608	93	0,60	
96884	R TECTSAG 355 125 0,6 mm Z140	355	125	206	70	0,60	
96885	R TECTSAG 355 160 0,6 mm Z140	355	160	241	70	0,60	
96886	R TECTSAG 355 200 0,6 mm Z140	355	200	281	70	0,60	
96887	R TECTSAG 355 250 0,6 mm Z140	355	250	331	70	0,60	
96888	R TECTSAG 355 300 0,6 mm Z140	355	300	391	78	0,60	
96889	R TECTSAG 355 315 0,6 mm Z140	355	315	406	78	0,60	
96890	R TECTSAG 355 355 0,6 mm Z140	355	355	457	88	0,60	
96891	R TECTSAG 355 400 0,6 mm Z140	355	400	502	88	0,60	
96892	R TECTSAG 355 450 0,6 mm Z140	355	450	552	88	0,60	
96893	R TECTSAG 355 500 0,6 mm Z140	355	500	608	93	0,60	
96894	R TECTSAG 355 560 0,6 mm Z140	355	560	668	93	0,60	
96895	R TECTSAG 400 125 0,6 mm Z140	400	125	206	70	0,60	
96896	R TECTSAG 400 160 0,6 mm Z140	400	160	241	70	0,60	
96897	R TECTSAG 400 200 0,6 mm Z140	400	200	281	70	0,60	
96898	R TECTSAG 400 250 0,6 mm Z140	400	250	331	70	0,60	
96899	R TECTSAG 400 300 0,6 mm Z140	400	300	387	75	0,60	
96900	R TECTSAG 400 315 0,6 mm Z140	400	315	402	75	0,60	
96901	R TECTSAG 400 355 0,6 mm Z140	400	355	454	85	0,60	
96902	R TECTSAG 400 400 0,6 mm Z140	400	400	499	85	0,60	
96903	R TECTSAG 400 450 0,6 mm Z140	400	450	549	85	0,60	
96904	R TECTSAG 400 500 0,6 mm Z140	400	500	604	90	0,60	
96905	R TECTSAG 400 560 0,6 mm Z140	400	560	664	90	0,60	

Note

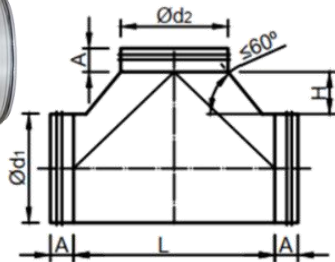
For the other sizes, please contact the commercial department.



SPIRAL® SYSTEM ROUND VENTILATION DUCTS AND FITTINGS

Segmented T-pieces with gasket

Segmented T-piece R TECTSAG



Product Code Model

R TECTSAG 400 600 0,6 mm Z140



A = 50 [mm]

Explanation:

R TECTSAG Type

400 Diameter d1 [mm]

600 Diameter d2 [mm]

0,6 mm Thickness δ [mm]

Z140 Class

SKU	TYPE	Diameter d1 [mm]	Diameter d2 [mm]	L [mm]	H [mm]	Thickness δ [mm]	
96906	R TECTSAG 400 600 0,6 mm Z140	400	600	704	90	0,60	
96907	R TECTSAG 400 630 0,6 mm Z140	400	630	734	90	0,60	
96908	R TECTSAG 450 125 0,6 mm Z140	450	125	206	70	0,60	
96909	R TECTSAG 450 160 0,6 mm Z140	450	160	241	70	0,60	
96910	R TECTSAG 450 200 0,6 mm Z140	450	200	281	70	0,60	
96911	R TECTSAG 450 250 0,6 mm Z140	450	250	331	70	0,60	
96912	R TECTSAG 450 300 0,6 mm Z140	450	300	387	75	0,60	
96913	R TECTSAG 450 315 0,6 mm Z140	450	315	402	75	0,60	
96914	R TECTSAG 450 355 0,6 mm Z140	450	355	454	85	0,60	
96915	R TECTSAG 450 400 0,6 mm Z140	450	400	499	85	0,60	
96916	R TECTSAG 450 450 0,6 mm Z140	450	450	549	85	0,60	
96917	R TECTSAG 450 500 0,6 mm Z140	450	500	604	90	0,60	
96918	R TECTSAG 450 560 0,6 mm Z140	450	560	664	90	0,60	
96919	R TECTSAG 450 600 0,6 mm Z140	450	600	704	90	0,60	
96920	R TECTSAG 450 630 0,6 mm Z140	450	630	734	90	0,60	
96921	R TECTSAG 450 710 0,6 mm Z140	450	710	814	90	0,60	
96922	R TECTSAG 500 125 0,7 mm Z140	500	125	206	70	0,70	
96923	R TECTSAG 500 160 0,7 mm Z140	500	160	241	70	0,70	
96924	R TECTSAG 500 200 0,7 mm Z140	500	200	281	70	0,70	
96925	R TECTSAG 500 250 0,7 mm Z140	500	250	331	70	0,70	
96926	R TECTSAG 500 300 0,7 mm Z140	500	300	387	75	0,70	
96927	R TECTSAG 500 315 0,7 mm Z140	500	315	402	75	0,70	
96928	R TECTSAG 500 355 0,7 mm Z140	500	355	454	85	0,70	
96929	R TECTSAG 500 400 0,7 mm Z140	500	400	499	85	0,70	
96930	R TECTSAG 500 450 0,7 mm Z140	500	450	549	85	0,70	
96931	R TECTSAG 500 500 0,7 mm Z140	500	500	604	90	0,70	
96932	R TECTSAG 500 560 0,7 mm Z140	500	560	664	90	0,70	
96933	R TECTSAG 500 600 0,7 mm Z140	500	600	704	90	0,70	
96934	R TECTSAG 500 630 0,7 mm Z140	500	630	734	90	0,70	
96935	R TECTSAG 500 710 0,7 mm Z140	500	710	814	90	0,70	
96936	R TECTSAG 560 200 0,7 mm Z140	560	200	281	70	0,70	
96937	R TECTSAG 560 250 0,7 mm Z140	560	250	331	70	0,70	
96938	R TECTSAG 560 300 0,7 mm Z140	560	300	387	75	0,70	
96939	R TECTSAG 560 315 0,7 mm Z140	560	315	402	75	0,70	
96940	R TECTSAG 560 355 0,7 mm Z140	560	355	454	85	0,70	
96941	R TECTSAG 560 400 0,7 mm Z140	560	400	499	85	0,70	

Note

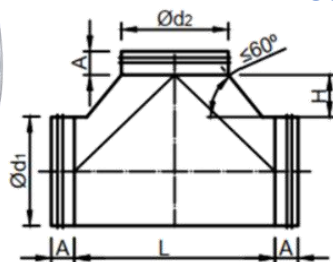
For the other sizes, please contact the commercial department.



SPIRAL® SYSTEM ROUND VENTILATION DUCTS AND FITTINGS

Segmented T-piece R TECTSAG

**Segmented T-pieces
with gasket**



Product Code Model

R TECTSAG 560 450 0,7 mm Z140



A = 50 [mm]

Explanation:

R TECTSAG Type

560 Diameter d1 [mm]

450 Diameter d2 [mm]

0,7 mm Thickness δ [mm]

Z140 Class

SKU	TYPE	Diameter d1 [mm]	Diameter d2 [mm]	L [mm]	H [mm]	Thickness δ [mm]	
96942	R TECTSAG 560 450 0,7 mm Z140	560	450	549	85	0,70	
96943	R TECTSAG 560 500 0,7 mm Z140	560	500	604	90	0,70	
96944	R TECTSAG 560 560 0,7 mm Z140	560	560	664	90	0,70	
96945	R TECTSAG 560 600 0,7 mm Z140	560	600	704	90	0,70	
96946	R TECTSAG 560 630 0,7 mm Z140	560	630	734	90	0,70	
96947	R TECTSAG 560 710 0,7 mm Z140	560	710	814	90	0,70	
96948	R TECTSAG 600 200 0,7 mm Z140	600	200	281	70	0,70	
96949	R TECTSAG 600 250 0,7 mm Z140	600	250	331	70	0,70	
96950	R TECTSAG 600 300 0,7 mm Z140	600	300	399	85	0,70	
96951	R TECTSAG 600 315 0,7 mm Z140	600	315	414	85	0,70	
96952	R TECTSAG 600 355 0,7 mm Z140	600	355	454	85	0,70	
96953	R TECTSAG 600 400 0,7 mm Z140	600	400	499	85	0,70	
96954	R TECTSAG 600 450 0,7 mm Z140	600	450	549	85	0,70	
96955	R TECTSAG 600 500 0,7 mm Z140	600	500	604	90	0,70	
96956	R TECTSAG 600 560 0,7 mm Z140	600	560	664	90	0,70	
96957	R TECTSAG 600 600 0,7 mm Z140	600	600	704	90	0,70	
96958	R TECTSAG 600 630 0,7 mm Z140	600	630	734	90	0,70	
96959	R TECTSAG 600 710 0,7 mm Z140	600	710	814	90	0,70	
96960	R TECTSAG 630 200 0,7 mm Z140	630	200	281	70	0,70	
96961	R TECTSAG 630 250 0,7 mm Z140	630	250	331	70	0,70	
96962	R TECTSAG 630 300 0,7 mm Z140	630	300	387	75	0,70	
96963	R TECTSAG 630 315 0,7 mm Z140	630	315	402	75	0,70	
96964	R TECTSAG 630 355 0,7 mm Z140	630	355	454	85	0,70	
96965	R TECTSAG 630 400 0,7 mm Z140	630	400	499	85	0,70	
96966	R TECTSAG 630 450 0,7 mm Z140	630	450	549	85	0,70	
96967	R TECTSAG 630 500 0,7 mm Z140	630	500	604	90	0,70	
96968	R TECTSAG 630 560 0,7 mm Z140	630	560	664	90	0,70	
96969	R TECTSAG 630 600 0,7 mm Z140	630	600	704	90	0,70	
96970	R TECTSAG 630 630 0,7 mm Z140	630	630	734	90	0,70	
96971	R TECTSAG 630 710 0,7 mm Z140	630	710	814	90	0,70	
96972	R TECTSAG 710 250 0,7 mm Z140	710	250	331	70	0,70	
96973	R TECTSAG 710 300 0,7 mm Z140	710	300	387	75	0,70	
96974	R TECTSAG 710 315 0,7 mm Z140	710	315	402	75	0,70	
96975	R TECTSAG 710 355 0,7 mm Z140	710	355	454	85	0,70	
96976	R TECTSAG 710 400 0,7 mm Z140	710	400	499	85	0,70	
96977	R TECTSAG 710 450 0,7 mm Z140	710	450	549	85	0,70	

Note

For the other sizes, please contact the commercial department.



SPIRAL® SYSTEM ROUND VENTILATION DUCTS AND FITTINGS

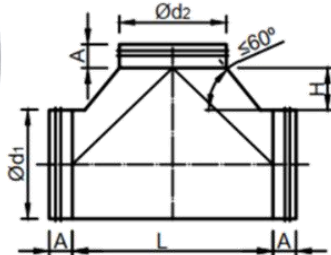
Segmented T-pieces with gasket

Segmented T-piece R TECTSAG



Product Code Model

R TECTSAG 710 500 0,7 mm Z140



A = 50 [mm]

Explanation:

R TECTSAG Type

710 Diameter d1 [mm]

500 Diameter d2 [mm]

0,7 mm Thickness δ [mm]

Z140 Class

SKU	TYPE	Diameter d1 [mm]	Diameter d2 [mm]	L [mm]	H [mm]	Thickness δ [mm]	
96978	R TECTSAG 710 500 0,7 mm Z140	710	500	604	90	0,70	
96979	R TECTSAG 710 560 0,7 mm Z140	710	560	664	90	0,70	
96980	R TECTSAG 710 600 0,7 mm Z140	710	600	704	90	0,70	
96981	R TECTSAG 710 630 0,7 mm Z140	710	630	734	90	0,70	
96982	R TECTSAG 710 710 0,7 mm Z140	710	710	814	90	0,70	
96983	R TECTSAG 500 800 0,7 mm Z140	500	800	904	90	0,70	
96984	R TECTSAG 560 800 0,7 mm Z140	560	800	904	90	0,70	
96985	R TECTSAG 560 900 0,7 mm Z140	560	900	1004	90	0,70	
96986	R TECTSAG 600 800 0,7 mm Z140	600	800	904	90	0,70	
96987	R TECTSAG 600 900 0,7 mm Z140	600	900	1004	90	0,70	
96988	R TECTSAG 630 800 0,7 mm Z140	630	800	904	90	0,70	
96989	R TECTSAG 630 900 0,7 mm Z140	630	900	1004	90	0,70	
96990	R TECTSAG 630 1000 0,7 mm Z140	630	1000	1104	90	0,70	
96991	R TECTSAG 710 800 0,7 mm Z140	710	800	904	90	0,70	
96992	R TECTSAG 710 900 0,7 mm Z140	710	900	1004	90	0,70	
96993	R TECTSAG 710 1000 0,7 mm Z140	710	1000	1104	90	0,70	
96994	R TECTSAG 800 250 0,8 mm Z140	800	250	331	70	0,80	
96995	R TECTSAG 800 300 0,8 mm Z140	800	300	387	75	0,80	
96996	R TECTSAG 800 315 0,8 mm Z140	800	315	402	75	0,80	
96997	R TECTSAG 800 355 0,8 mm Z140	800	355	454	85	0,80	
96998	R TECTSAG 800 400 0,8 mm Z140	800	400	499	85	0,80	
96999	R TECTSAG 800 450 0,8 mm Z140	800	450	549	85	0,80	
97000	R TECTSAG 800 500 0,8 mm Z140	800	500	604	90	0,80	
97001	R TECTSAG 800 560 0,8 mm Z140	800	560	664	90	0,80	
97002	R TECTSAG 800 600 0,8 mm Z140	800	600	704	90	0,80	
97003	R TECTSAG 800 630 0,8 mm Z140	800	630	734	90	0,80	
97004	R TECTSAG 800 710 0,8 mm Z140	800	710	814	90	0,80	
97005	R TECTSAG 800 800 0,8 mm Z140	800	800	904	90	0,80	
97006	R TECTSAG 800 900 0,8 mm Z140	800	900	1004	90	0,80	
97007	R TECTSAG 800 1000 0,8 mm Z140	800	1000	1104	90	0,80	
97008	R TECTSAG 900 315 0,8 mm Z140	900	315	402	75	0,80	
97009	R TECTSAG 900 355 0,8 mm Z140	900	355	454	85	0,80	
97010	R TECTSAG 900 400 0,8 mm Z140	900	400	499	85	0,80	
97011	R TECTSAG 900 450 0,8 mm Z140	900	450	549	85	0,80	
97012	R TECTSAG 900 500 0,8 mm Z140	900	500	604	90	0,80	
97013	R TECTSAG 900 560 0,8 mm Z140	900	560	664	90	0,80	

Note

For the other sizes, please contact the commercial department.



SPIRAL® SYSTEM ROUND VENTILATION DUCTS AND FITTINGS

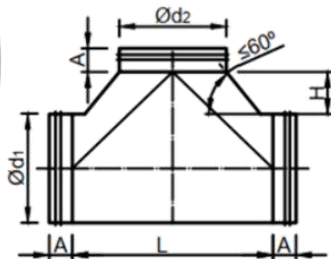
Segmented T-pieces with gasket

Segmented T-piece R TECTSAG



Product Code Model

R TECTSAG 900 600 0,8 mm Z140



A = 50 [mm]

Explanation:

R TECTSAG Type

900 Diameter d1 [mm]

600 Diameter d2 [mm]

0,8 mm Thickness δ [mm]

Z140 Class

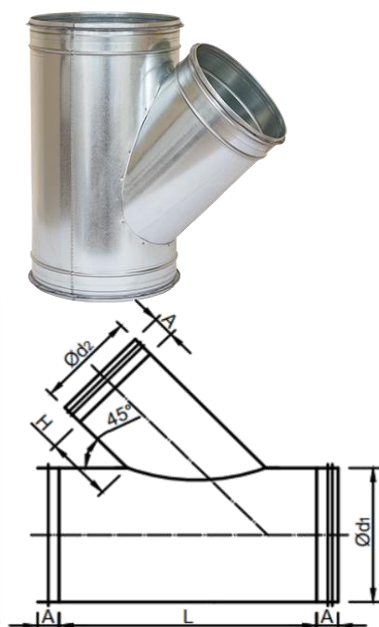
SKU	TYPE	Diameter d1 [mm]	Diameter d2 [mm]	L [mm]	H [mm]	Thickness δ [mm]	
97014	R TECTSAG 900 600 0,8 mm Z140	900	600	704	90	0,80	
97015	R TECTSAG 900 630 0,8 mm Z140	900	630	734	90	0,80	
97016	R TECTSAG 900 710 0,8 mm Z140	900	710	814	90	0,80	
97017	R TECTSAG 900 800 0,8 mm Z140	900	800	904	90	0,80	
97018	R TECTSAG 900 900 0,8 mm Z140	900	900	1004	90	0,80	
97019	R TECTSAG 900 1000 0,8 mm Z140	900	1000	1104	90	0,80	
97020	R TECTSAG 1000 315 0,8 mm Z140	1000	315	402	75	0,80	
97021	R TECTSAG 1000 400 0,8 mm Z140	1000	400	499	85	0,80	
97022	R TECTSAG 1000 450 0,8 mm Z140	1000	450	549	85	0,80	
97023	R TECTSAG 1000 500 0,8 mm Z140	1000	500	604	90	0,80	
97024	R TECTSAG 1000 560 0,8 mm Z140	1000	560	664	90	0,80	
97025	R TECTSAG 1000 600 0,8 mm Z140	1000	600	704	90	0,80	
97026	R TECTSAG 1000 630 0,8 mm Z140	1000	630	734	90	0,80	
97027	R TECTSAG 1000 710 0,8 mm Z140	1000	710	814	90	0,80	
97028	R TECTSAG 1000 800 0,8 mm Z140	1000	800	904	90	0,80	
97029	R TECTSAG 1000 900 0,8 mm Z140	1000	900	1004	90	0,80	
97030	R TECTSAG 1000 1000 0,8 mm Z140	1000	1000	1104	90	0,80	

Note

For the other sizes, please contact the commercial department.

SPIRAL®SYSTEM ROUND VENTILATION DUCTS AND FITTINGS

Branch Y-piece 45° R TEG45



Description:

The branch port and the branch duct can be of equal or smaller diameter than the main duct.

Used Material:

Galvanized steel DX51, Class Z140.

Note:

The thickness of the galvanized sheet varies depending on the diameter.

Product Code Model

R TEG45 125 125 0,5 mm Z140



Branch Y-pieces with gasket

Explanation:

R TEG45 Type

125 Diameter d1 [mm]

125 Diameter d2 [mm]

0,5 mm Thickness δ [mm]

Z140 Class

SKU	TYPE	Diameter d1 [mm]	Diameter d2 [mm]	L [mm]	H [mm]	A [mm]	Thickness δ [mm]
97171	R TEG45 125 125 0,5 mm Z140	125	125	250	29	50	0,50
97172	R TEG45 160 125 0,5 mm Z140	160	125	250	24	50	0,50
97173	R TEG45 160 160 0,5 mm Z140	160	160	300	27	50	0,50
97174	R TEG45 200 125 0,5 mm Z140	200	125	250	26	50	0,50
97175	R TEG45 200 160 0,5 mm Z140	200	160	300	29	50	0,50
97176	R TEG45 200 200 0,5 mm Z140	200	200	355	29	50	0,50
97177	R TEG45 250 125 0,5 mm Z140	250	125	250	31	50	0,50
97178	R TEG45 250 160 0,5 mm Z140	250	160	300	33	50	0,50
97179	R TEG45 250 200 0,5 mm Z140	250	200	355	33	50	0,50
97180	R TEG45 250 250 0,5 mm Z140	250	250	440	28	50	0,50
97181	R TEG45 300 125 0,6 mm Z140	300	125	250	25	50	0,60
97182	R TEG45 300 160 0,6 mm Z140	300	160	300	28	50	0,60
97183	R TEG45 300 200 0,6 mm Z140	300	200	355	28	50	0,60
97184	R TEG45 300 250 0,6 mm Z140	300	250	440	33	50	0,60
97185	R TEG45 300 300 0,6 mm Z140	300	300	510	28	50	0,60
97186	R TEG45 315 125 0,6 mm Z140	315	125	250	25	50	0,60
97187	R TEG45 315 160 0,6 mm Z140	315	160	300	27	50	0,60
97188	R TEG45 315 200 0,6 mm Z140	315	200	355	27	50	0,60
97189	R TEG45 315 250 0,6 mm Z140	315	250	440	32	50	0,60
97190	R TEG45 315 300 0,6 mm Z140	315	300	510	27	50	0,60
97191	R TEG45 315 315 0,6 mm Z140	315	315	530	30	50	0,60
97192	R TEG45 355 125 0,6 mm Z140	355	125	250	36	50	0,60
97193	R TEG45 355 160 0,6 mm Z140	355	160	300	29	50	0,60
97194	R TEG45 355 200 0,6 mm Z140	355	200	355	29	50	0,60
97195	R TEG45 355 250 0,6 mm Z140	355	250	440	24	50	0,60
97196	R TEG45 355 300 0,6 mm Z140	355	300	510	29	50	0,60

Note

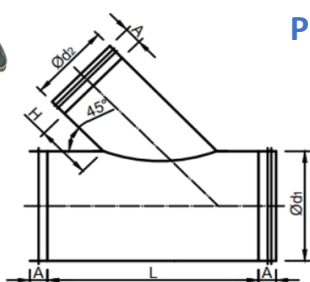
For the other sizes, please contact the commercial department.



SPIRAL® SYSTEM ROUND VENTILATION DUCTS AND FITTINGS

**Branch Y-pieces
with gasket**

Branch Y-piece 45° R TEG45



Product Code Model

R TEG45 355 315 0,6 mm Z140



Explanation:

R TEG45 Type

355 Diameter d1 [mm]

315 Diameter d2 [mm]

0,6 mm Thickness δ [mm]

Z140 Class

SKU	TYPE	Diameter d1 [mm]	Diameter d2 [mm]	L [mm]	H [mm]	A [mm]	Thickness δ [mm]
97197	R TEG45 355 315 0,6 mm Z140	355	315	530	31	50	0,60
97198	R TEG45 355 355 0,6 mm Z140	355	355	585	31	50	0,60
97199	R TEG45 400 125 0,6 mm Z140	400	125	250	45	50	0,60
97200	R TEG45 400 160 0,6 mm Z140	400	160	300	27	50	0,60
97201	R TEG45 400 200 0,6 mm Z140	400	200	355	27	50	0,60
97202	R TEG45 400 250 0,6 mm Z140	400	250	440	32	50	0,60
97203	R TEG45 400 300 0,6 mm Z140	400	300	510	27	50	0,60
97204	R TEG45 400 315 0,6 mm Z140	400	315	530	30	50	0,60
97205	R TEG45 400 355 0,6 mm Z140	400	355	585	30	50	0,60
97206	R TEG45 400 400 0,6 mm Z140	400	400	650	27	50	0,60
97207	R TEG45 450 125 0,6 mm Z140	450	125	250	59	50	0,60
97208	R TEG45 450 160 0,6 mm Z140	450	160	300	42	50	0,60
97209	R TEG45 450 200 0,6 mm Z140	450	200	355	32	50	0,60
97210	R TEG45 450 250 0,6 mm Z140	450	250	440	27	50	0,60
97211	R TEG45 450 300 0,6 mm Z140	450	300	510	32	50	0,60
97212	R TEG45 450 315 0,6 mm Z140	450	315	530	24	50	0,60
97213	R TEG45 450 355 0,6 mm Z140	450	355	585	24	50	0,60
97214	R TEG45 450 400 0,6 mm Z140	450	400	650	32	50	0,60
97215	R TEG45 450 450 0,6 mm Z140	450	450	740	27	50	0,60
97216	R TEG45 500 125 0,7 mm Z140	500	125	250	64	50	0,70
97217	R TEG45 500 160 0,7 mm Z140	500	160	300	46	50	0,70
97218	R TEG45 500 200 0,7 mm Z140	500	200	355	26	50	0,70
97219	R TEG45 500 250 0,7 mm Z140	500	250	440	31	50	0,70
97220	R TEG45 500 300 0,7 mm Z140	500	300	510	26	50	0,70
97221	R TEG45 500 315 0,7 mm Z140	500	315	530	29	50	0,70
97222	R TEG45 500 355 0,7 mm Z140	500	355	585	29	50	0,70
97223	R TEG45 500 400 0,7 mm Z140	500	400	650	26	50	0,70
97224	R TEG45 500 450 0,7 mm Z140	500	450	740	31	50	0,70
97225	R TEG45 500 500 0,7 mm Z140	500	500	810	26	50	0,70
97226	R TEG45 560 160 0,7 mm Z140	560	160	300	64	50	0,70
97227	R TEG45 560 200 0,7 mm Z140	560	200	355	44	50	0,70
97228	R TEG45 560 250 0,7 mm Z140	560	250	440	29	50	0,70
97229	R TEG45 560 300 0,7 mm Z140	560	300	510	34	50	0,70
97230	R TEG45 560 315 0,7 mm Z140	560	315	530	27	50	0,70
97231	R TEG45 560 355 0,7 mm Z140	560	355	585	27	50	0,70
97232	R TEG45 560 400 0,7 mm Z140	560	400	650	34	50	0,70

Note

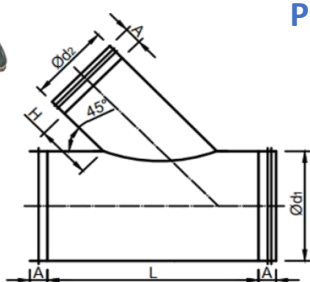
For the other sizes, please contact the commercial department.



SPIRAL® SYSTEM ROUND VENTILATION DUCTS AND FITTINGS

**Branch Y-pieces
with gasket**

Branch Y-piece 45° R TEG45



Product Code Model

R TEG45 560 450 0,7 mm Z140



Explanation:

R TEG45 Type
560 Diameter d1 [mm]
450 Diameter d2 [mm]
0,7 mm Thickness δ [mm]
Z140 Class

SKU	TYPE	Diameter d1 [mm]	Diameter d2 [mm]	L [mm]	H [mm]	A [mm]	Thickness δ [mm]	
97233	R TEG45 560 450 0,7 mm Z140	560	450	740	29	50	0,70	
97234	R TEG45 560 500 0,7 mm Z140	560	500	810	34	50	0,70	
97235	R TEG45 560 560 0,7 mm Z140	560	560	900	34	50	0,70	
97236	R TEG45 600 250 0,7 mm Z140	600	250	440	31	50	0,70	
97237	R TEG45 600 300 0,7 mm Z140	600	300	510	36	50	0,70	
97238	R TEG45 600 315 0,7 mm Z140	600	315	530	28	50	0,70	
97239	R TEG45 600 355 0,7 mm Z140	600	355	585	28	50	0,70	
97240	R TEG45 600 400 0,7 mm Z140	600	400	650	36	50	0,70	
97241	R TEG45 600 450 0,7 mm Z140	600	450	740	31	50	0,70	
97242	R TEG45 600 500 0,7 mm Z140	600	500	810	36	50	0,70	
97243	R TEG45 600 560 0,7 mm Z140	600	560	900	36	50	0,70	
97244	R TEG45 600 600 0,7 mm Z140	600	600	960	36	50	0,70	
97245	R TEG45 630 315 0,7 mm Z140	630	315	530	27	50	0,70	
97246	R TEG45 630 355 0,7 mm Z140	630	355	585	27	50	0,70	
97247	R TEG45 630 400 0,7 mm Z140	630	400	650	35	50	0,70	
97248	R TEG45 630 450 0,7 mm Z140	630	450	740	30	50	0,70	
97249	R TEG45 630 500 0,7 mm Z140	630	500	810	35	50	0,70	
97250	R TEG45 630 560 0,7 mm Z140	630	560	900	35	50	0,70	
97251	R TEG45 630 600 0,7 mm Z140	630	600	960	35	50	0,70	
97252	R TEG45 630 630 0,7 mm Z140	630	630	1010	30	50	0,70	
97253	R TEG45 710 315 0,7 mm Z140	710	315	530	30	50	0,70	
97254	R TEG45 710 355 0,7 mm Z140	710	355	585	30	50	0,70	
97255	R TEG45 710 400 0,7 mm Z140	710	400	650	38	50	0,70	
97256	R TEG45 710 450 0,7 mm Z140	710	450	740	33	50	0,70	
97257	R TEG45 710 500 0,7 mm Z140	710	500	810	38	50	0,70	
97258	R TEG45 710 560 0,7 mm Z140	710	560	900	38	50	0,70	
97259	R TEG45 710 600 0,7 mm Z140	710	600	960	38	50	0,70	
97260	R TEG45 710 630 0,7 mm Z140	710	630	1010	33	50	0,70	
97261	R TEG45 710 710 0,7 mm Z140	710	710	1130	33	50	0,70	
97262	R TEG45 800 315 0,8 mm Z140	800	315	530	47	50	0,80	
97263	R TEG45 800 355 0,8 mm Z140	800	355	585	47	50	0,80	
97264	R TEG45 800 400 0,8 mm Z140	800	400	650	44	50	0,80	
97265	R TEG45 800 450 0,8 mm Z140	800	450	740	49	50	0,80	
97266	R TEG45 800 500 0,8 mm Z140	800	500	810	44	50	0,80	
97267	R TEG45 800 560 0,8 mm Z140	800	560	900	44	50	0,80	
97268	R TEG45 800 600 0,8 mm Z140	800	600	960	44	50	0,80	

Note

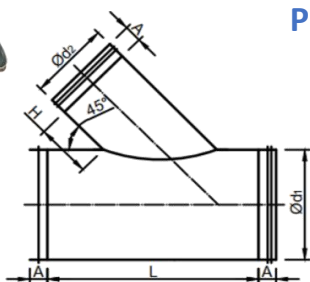
For the other sizes, please contact the commercial department.



SPIRAL® SYSTEM ROUND VENTILATION DUCTS AND FITTINGS

**Branch Y-pieces
with gasket**

Branch Y-piece 45° R TEG45



Product Code Model

R TEG45 800 630 0,8 mm Z140



Explanation:

- R TEG45** Type
- 800** Diameter d1 [mm]
- 630** Diameter d2 [mm]
- 0,8 mm** Thickness δ [mm]
- Z140** Class

SKU	TYPE	Diameter d1 [mm]	Diameter d2 [mm]	L [mm]	H [mm]	A [mm]	Thickness δ [mm]
97269	R TEG45 800 630 0,8 mm Z140	800	630	1010	49	50	0,80
97270	R TEG45 800 710 0,8 mm Z140	800	710	1130	49	50	0,80
97271	R TEG45 800 800 0,8 mm Z140	800	800	1270	44	50	0,80
97272	R TEG45 900 355 0,8 mm Z140	900	355	585	46	50	0,80
97273	R TEG45 900 400 0,8 mm Z140	900	400	650	54	50	0,80
97274	R TEG45 900 450 0,8 mm Z140	900	450	740	49	50	0,80
97275	R TEG45 900 500 0,8 mm Z140	900	500	810	54	50	0,80
97276	R TEG45 900 560 0,8 mm Z140	900	560	900	54	50	0,80
97277	R TEG45 900 600 0,8 mm Z140	900	600	960	54	50	0,80
97278	R TEG45 900 630 0,8 mm Z140	900	630	1010	49	50	0,80
97279	R TEG45 900 710 0,8 mm Z140	900	710	1130	49	50	0,80
97280	R TEG45 900 800 0,8 mm Z140	900	800	1270	54	50	0,80
97281	R TEG45 900 900 0,8 mm Z140	900	900	1430	54	50	0,80
97282	R TEG45 1000 400 0,8 mm Z140	1000	400	650	53	50	0,80
97283	R TEG45 1000 450 0,8 mm Z140	1000	450	740	48	50	0,80
97284	R TEG45 1000 500 0,8 mm Z140	1000	500	810	53	50	0,80
97285	R TEG45 1000 560 0,8 mm Z140	1000	560	900	53	50	0,80
97286	R TEG45 1000 600 0,8 mm Z140	1000	600	960	53	50	0,80
97287	R TEG45 1000 630 0,8 mm Z140	1000	630	1010	48	50	0,80
97288	R TEG45 1000 710 0,8 mm Z140	1000	710	1130	48	50	0,80
97289	R TEG45 1000 800 0,8 mm Z140	1000	800	1270	53	50	0,80
97290	R TEG45 1000 900 0,8 mm Z140	1000	900	1430	53	50	0,80
97291	R TEG45 1000 1000 0,8 mm Z140	1000	1000	1590	53	50	0,80

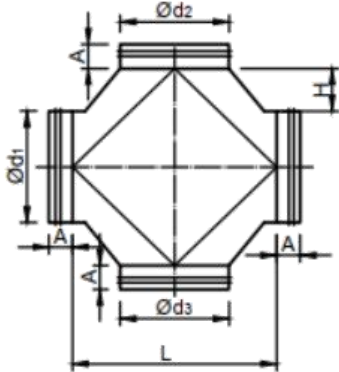
Note

For the other sizes, please contact the commercial department.

SPIRAL® SYSTEM ROUND VENTILATION DUCTS AND FITTINGS

**Pieces type T; X; Y
with gasket**

X-piece R PIXCSAG



Description:

Type X parts are used in air conditioning and ventilation systems, for making bifurcations in ductwork sections, both flexible and rigid, for the evacuation or introduction of as many air inlet and outlet.

Used Material:

Galvanized steel DX51, Class Z140.

Note:

The thickness of the galvanized sheet varies depending on the diameter.

Product Code Model

R PIXCSAG 125 125 125 0,5 mm Z140



A = 50 [mm]

Explanation:

R PIXCSAG Type

125 Diameter d1 [mm]

125 Diameter d2 [mm]

125 Diameter d3 [mm]

0,5 mm Thickness δ [mm]

Z140 Class

SKU	TYPE	Diameter d1 [mm]	Diameter d2/d3 [mm]	L [mm]	H [mm]	Thickness δ [mm]	
97441	R PIXCSAG 125 125 125 0,5 mm Z140	125	125	265	70	0,50	
97442	R PIXCSAG 160 125 125 0,5 mm Z140	160	125	265	70	0,50	
97443	R PIXCSAG 160 160 160 0,5 mm Z140	160	160	300	70	0,50	
97444	R PIXCSAG 200 125 125 0,5 mm Z140	200	125	265	70	0,50	
97445	R PIXCSAG 200 160 160 0,5 mm Z140	200	160	300	70	0,50	
97446	R PIXCSAG 200 200 200 0,5 mm Z140	200	200	340	70	0,50	
97447	R PIXCSAG 250 125 125 0,5 mm Z140	250	125	265	70	0,50	
97448	R PIXCSAG 250 160 160 0,5 mm Z140	250	160	300	70	0,50	
97449	R PIXCSAG 250 200 200 0,5 mm Z140	250	200	340	70	0,50	
97450	R PIXCSAG 250 250 250 0,5 mm Z140	250	250	390	70	0,50	
97451	R PIXCSAG 300 125 125 0,6 mm Z140	300	125	265	70	0,60	
97452	R PIXCSAG 300 160 160 0,6 mm Z140	300	160	300	70	0,60	
97453	R PIXCSAG 300 200 200 0,6 mm Z140	300	200	340	70	0,60	
97454	R PIXCSAG 300 250 250 0,6 mm Z140	300	250	390	70	0,60	
97455	R PIXCSAG 300 300 300 0,6 mm Z140	300	300	450	75	0,60	
97456	R PIXCSAG 315 125 125 0,6 mm Z140	315	125	265	70	0,60	
97457	R PIXCSAG 315 160 160 0,6 mm Z140	315	160	300	70	0,60	
97458	R PIXCSAG 315 200 200 0,6 mm Z140	315	200	340	70	0,60	
97459	R PIXCSAG 315 250 250 0,6 mm Z140	315	250	390	70	0,60	
97460	R PIXCSAG 315 300 300 0,6 mm Z140	315	300	456	78	0,60	
97461	R PIXCSAG 315 315 315 0,6 mm Z140	315	315	471	78	0,60	
97462	R PIXCSAG 355 125 125 0,6 mm Z140	355	125	265	70	0,60	
97463	R PIXCSAG 355 160 160 0,6 mm Z140	355	160	300	70	0,60	
97464	R PIXCSAG 355 200 200 0,6 mm Z140	355	200	340	70	0,60	
97465	R PIXCSAG 355 250 250 0,6 mm Z140	355	250	390	70	0,60	
97466	R PIXCSAG 355 300 300 0,6 mm Z140	355	300	456	78	0,60	

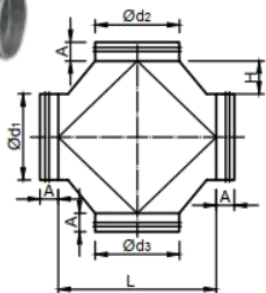
Note

For the other sizes, please contact the commercial department.



SPIRAL® SYSTEM ROUND VENTILATION DUCTS AND FITTINGS

X-piece R PIXCSAG



Product Code Model

R PIXCSAG 355 315 315 0,6 mm Z140

A = 50 [mm]



Pieces type T; X; Y with gasket

Explanation:

R PIXCSAG Type

355 Diameter d1 [mm]

315 Diameter d2 [mm]

315 Diameter d3 [mm]

0,6 mm Thickness δ [mm]

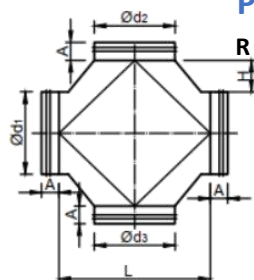
Z140 Class

SKU	TYPE	Diameter d1 [mm]	Diameter d2/d3 [mm]	L [mm]	H [mm]	Thickness δ [mm]	
97467	R PIXCSAG 355 315 315 0,6 mm Z140	355	315	471	78	0,60	
97468	R PIXCSAG 355 355 355 0,6 mm Z140	355	355	531	88	0,60	
97469	R PIXCSAG 400 125 125 0,6 mm Z140	400	125	265	70	0,60	
97470	R PIXCSAG 400 160 160 0,6 mm Z140	400	160	300	70	0,60	
97471	R PIXCSAG 400 200 200 0,6 mm Z140	400	200	340	70	0,60	
97472	R PIXCSAG 400 250 250 0,6 mm Z140	400	250	390	70	0,60	
97473	R PIXCSAG 400 300 300 0,6 mm Z140	400	300	450	75	0,60	
97474	R PIXCSAG 400 315 315 0,6 mm Z140	400	315	465	75	0,60	
97475	R PIXCSAG 400 355 355 0,6 mm Z140	400	355	525	85	0,60	
97476	R PIXCSAG 400 400 400 0,6 mm Z140	400	400	570	85	0,60	
97477	R PIXCSAG 450 125 125 0,6 mm Z140	450	125	265	70	0,60	
97478	R PIXCSAG 450 160 160 0,6 mm Z140	450	160	300	70	0,60	
97479	R PIXCSAG 450 200 200 0,6 mm Z140	450	200	340	70	0,60	
97480	R PIXCSAG 450 250 250 0,6 mm Z140	450	250	390	70	0,60	
97481	R PIXCSAG 450 300 300 0,6 mm Z140	450	300	450	75	0,60	
97482	R PIXCSAG 450 315 315 0,6 mm Z140	450	315	465	75	0,60	
97483	R PIXCSAG 450 355 355 0,6 mm Z140	450	355	525	85	0,60	
97484	R PIXCSAG 450 400 400 0,6 mm Z140	450	400	570	85	0,60	
97485	R PIXCSAG 450 450 450 0,6 mm Z140	450	450	620	85	0,60	
97486	R PIXCSAG 500 125 125 0,7 mm Z140	500	125	265	70	0,70	
97487	R PIXCSAG 500 160 160 0,7 mm Z140	500	160	300	70	0,70	
97488	R PIXCSAG 500 200 200 0,7 mm Z140	500	200	340	70	0,70	
97489	R PIXCSAG 500 250 250 0,7 mm Z140	500	250	390	70	0,70	
97490	R PIXCSAG 500 300 300 0,7 mm Z140	500	300	450	75	0,70	
97491	R PIXCSAG 500 315 315 0,7 mm Z140	500	315	465	75	0,70	
97492	R PIXCSAG 500 355 355 0,7 mm Z140	500	355	525	85	0,70	
97493	R PIXCSAG 500 400 400 0,7 mm Z140	500	400	570	85	0,70	
97494	R PIXCSAG 500 450 450 0,7 mm Z140	500	450	620	85	0,70	
97495	R PIXCSAG 500 500 500 0,7 mm Z140	500	500	680	90	0,70	
97496	R PIXCSAG 560 200 200 0,7 mm Z140	560	200	340	70	0,70	
97497	R PIXCSAG 560 250 250 0,7 mm Z140	560	250	390	70	0,70	
97498	R PIXCSAG 560 300 300 0,7 mm Z140	560	300	450	75	0,70	
97499	R PIXCSAG 560 315 315 0,7 mm Z140	560	315	465	75	0,70	
97500	R PIXCSAG 560 355 355 0,7 mm Z140	560	355	525	85	0,70	
97501	R PIXCSAG 560 400 400 0,7 mm Z140	560	400	570	85	0,70	
97502	R PIXCSAG 560 450 450 0,7 mm Z140	560	450	620	85	0,70	

Note For the other sizes, please contact the commercial department.

SPIRAL® SYSTEM ROUND VENTILATION DUCTS AND FITTINGS

X-piece R PIXCSAG



Product Code Model

R PIXCSAG 560 500 500 0,7 mm Z140

A = 50 [mm]



with gasket

Pieces type T; X; Y

Explanation:

R PIXCSAG Type

560 Diameter d1 [mm]

500 Diameter d2 [mm]

500 Diameter d3 [mm]

0,7 mm Thickness δ [mm]

Z140 Class

SKU	TYPE	Diameter d1 [mm]	Diameter d2/d3 [mm]	L [mm]	H [mm]	Thickness δ [mm]	
97503	R PIXCSAG 560 500 500 0,7 mm Z140	560	500	680	90	0,70	
97504	R PIXCSAG 560 560 560 0,7 mm Z140	560	560	740	90	0,70	
97505	R PIXCSAG 600 200 200 0,7 mm Z140	600	200	340	70	0,70	
97506	R PIXCSAG 600 250 250 0,7 mm Z140	600	250	390	70	0,70	
97507	R PIXCSAG 600 300 300 0,7 mm Z140	600	300	470	85	0,70	
97508	R PIXCSAG 600 315 315 0,7 mm Z140	600	315	485	85	0,70	
97509	R PIXCSAG 600 355 355 0,7 mm Z140	600	355	525	85	0,70	
97510	R PIXCSAG 600 400 400 0,7 mm Z140	600	400	570	85	0,70	
97511	R PIXCSAG 600 450 450 0,7 mm Z140	600	450	620	85	0,70	
97512	R PIXCSAG 600 500 500 0,7 mm Z140	600	500	680	90	0,70	
97513	R PIXCSAG 600 560 560 0,7 mm Z140	600	560	740	90	0,70	
97514	R PIXCSAG 600 600 600 0,7 mm Z140	600	600	780	90	0,70	
97515	R PIXCSAG 630 200 200 0,7 mm Z140	630	200	340	70	0,70	
97516	R PIXCSAG 630 250 250 0,7 mm Z140	630	250	390	70	0,70	
97517	R PIXCSAG 630 300 300 0,7 mm Z140	630	300	450	75	0,70	
97518	R PIXCSAG 630 315 315 0,7 mm Z140	630	315	465	75	0,70	
97519	R PIXCSAG 630 355 355 0,7 mm Z140	630	355	525	85	0,70	
97520	R PIXCSAG 630 400 400 0,7 mm Z140	630	400	570	85	0,70	
97521	R PIXCSAG 630 450 450 0,7 mm Z140	630	450	620	85	0,70	
97522	R PIXCSAG 630 500 500 0,7 mm Z140	630	500	680	90	0,70	
97523	R PIXCSAG 630 560 560 0,7 mm Z140	630	560	740	90	0,70	
97524	R PIXCSAG 630 600 600 0,7 mm Z140	630	600	780	90	0,70	
97525	R PIXCSAG 630 630 630 0,7 mm Z140	630	630	810	90	0,70	
97526	R PIXCSAG 710 250 250 0,7 mm Z140	710	250	390	70	0,70	
97527	R PIXCSAG 710 300 300 0,7 mm Z140	710	300	450	75	0,70	
97528	R PIXCSAG 710 315 315 0,7 mm Z140	710	315	465	75	0,70	
97529	R PIXCSAG 710 355 355 0,7 mm Z140	710	355	525	85	0,70	
97530	R PIXCSAG 710 400 400 0,7 mm Z140	710	400	570	85	0,70	
97531	R PIXCSAG 710 450 450 0,7 mm Z140	710	450	620	85	0,70	
97532	R PIXCSAG 710 500 500 0,7 mm Z140	710	500	680	90	0,70	
97533	R PIXCSAG 710 560 560 0,7 mm Z140	710	560	740	90	0,70	
97534	R PIXCSAG 710 600 600 0,7 mm Z140	710	600	780	90	0,70	
97535	R PIXCSAG 710 630 630 0,7 mm Z140	710	630	810	90	0,70	
97536	R PIXCSAG 710 710 710 0,7 mm Z140	710	710	890	90	0,70	
97537	R PIXCSAG 800 250 250 0,8 mm Z140	800	250	390	70	0,80	
97538	R PIXCSAG 800 300 300 0,8 mm Z140	800	300	450	75	0,80	

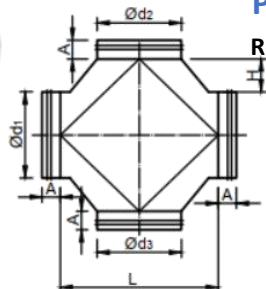
Note

For the other sizes, please contact the commercial department.



SPIRAL® SYSTEM ROUND VENTILATION DUCTS AND FITTINGS

X-piece R PIXCSAG



Product Code Model

R PIXCSAG 800 315 315 0,8 mm Z140

A = 50 [mm]



Pieces type T; X; Y with gasket

Explanation:

R PIXCSAG Type

800 Diameter d1 [mm]

315 Diameter d2 [mm]

315 Diameter d3 [mm]

0,8 mm Thickness δ [mm]

Z140 Class

SKU	TYPE	Diameter d1 [mm]	Diameter d2/d3 [mm]	L [mm]	H [mm]	Thickness δ [mm]	
97539	R PIXCSAG 800 315 315 0,8 mm Z140	800	315	465	75	0,80	
97540	R PIXCSAG 800 355 355 0,8 mm Z140	800	355	525	85	0,80	
97541	R PIXCSAG 800 400 400 0,8 mm Z140	800	400	570	85	0,80	
97542	R PIXCSAG 800 450 450 0,8 mm Z140	800	450	620	85	0,80	
97543	R PIXCSAG 800 500 500 0,8 mm Z140	800	500	680	90	0,80	
97544	R PIXCSAG 800 560 560 0,8 mm Z140	800	560	740	90	0,80	
97545	R PIXCSAG 800 600 600 0,8 mm Z140	800	600	780	90	0,80	
97546	R PIXCSAG 800 630 630 0,8 mm Z140	800	630	810	90	0,80	
97547	R PIXCSAG 800 710 710 0,8 mm Z140	800	710	890	90	0,80	
97548	R PIXCSAG 800 800 800 0,8 mm Z140	800	800	980	90	0,80	
97549	R PIXCSAG 900 315 315 0,8 mm Z140	900	315	465	75	0,80	
97550	R PIXCSAG 900 355 355 0,8 mm Z140	900	355	525	85	0,80	
97551	R PIXCSAG 900 400 400 0,8 mm Z140	900	400	570	85	0,80	
97552	R PIXCSAG 900 450 450 0,8 mm Z140	900	450	620	85	0,80	
97553	R PIXCSAG 900 500 500 0,8 mm Z140	900	500	680	90	0,80	
97554	R PIXCSAG 900 560 560 0,8 mm Z140	900	560	740	90	0,80	
97555	R PIXCSAG 900 600 600 0,8 mm Z140	900	600	780	90	0,80	
97556	R PIXCSAG 900 630 630 0,8 mm Z140	900	630	810	90	0,80	
97557	R PIXCSAG 900 710 710 0,8 mm Z140	900	710	890	90	0,80	
97558	R PIXCSAG 900 800 800 0,8 mm Z140	900	800	980	90	0,80	
97559	R PIXCSAG 900 900 900 0,8 mm Z140	900	900	1080	90	0,80	
97560	R PIXCSAG 1000 315 315 0,8 mm Z140	1000	315	465	75	0,80	
97561	R PIXCSAG 1000 400 400 0,8 mm Z140	1000	400	570	85	0,80	
97562	R PIXCSAG 1000 450 450 0,8 mm Z140	1000	450	620	85	0,80	
97563	R PIXCSAG 1000 500 500 0,8 mm Z140	1000	500	680	90	0,80	
97564	R PIXCSAG 1000 560 560 0,8 mm Z140	1000	560	740	90	0,80	
97565	R PIXCSAG 1000 600 600 0,8 mm Z140	1000	600	780	90	0,80	
97566	R PIXCSAG 1000 630 630 0,8 mm Z140	1000	630	810	90	0,80	
97567	R PIXCSAG 1000 710 710 0,8 mm Z140	1000	710	890	90	0,80	
97568	R PIXCSAG 1000 800 800 0,8 mm Z140	1000	800	980	90	0,80	
97569	R PIXCSAG 1000 900 900 0,8 mm Z140	1000	900	1080	90	0,80	
97570	R PIXCSAG 1000 1000 1000 0,8 mm Z140	1000	1000	1180	90	0,80	

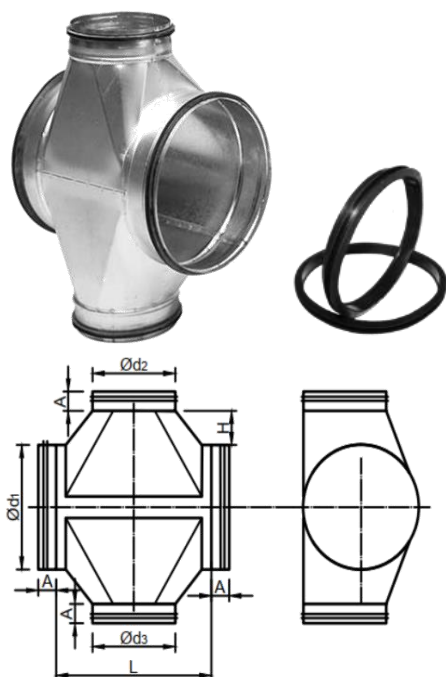
Note

For the other sizes, please contact the commercial department.

SPIRAL® SYSTEM ROUND VENTILATION DUCTS AND FITTINGS

**Pieces type T; X; Y
with gasket**

X-Piece R PIXCSAEG



Description:

Type X parts are used in air conditioning and ventilation systems for making bifurcations in ductwork sections, both flexible and rigid, for exhaust or inlet as well as exhaust and inlet air inlet.

Used Material:

Galvanized steel DX51, Class Z140.

Note:

The thickness of the galvanized sheet varies depending on the diameter.

Product Code Model

R PIXCSAEG 160 125 125 0,5 mm Z140

Explanation:

R PIXCSAEG Type

160 Diameter d1 [mm]

125 Diameter d2 [mm]

125 Diameter d3 [mm]

0,5 mm Thickness δ [mm]

Z140 Class

A = 50 [mm]

SKU	TYPE	Diameter d1 [mm]	Diameter d2/d3 [mm]	L [mm]	H [mm]	Thickness δ [mm]	
97699	R PIXCSAEG 160 125 125 0,5 mm Z140	160	125	240	50	0,50	
97700	R PIXCSAEG 200 125 125 0,5 mm Z140	200	125	240	50	0,50	
97701	R PIXCSAEG 200 160 160 0,5 mm Z140	200	160	280	50	0,50	
97702	R PIXCSAEG 250 125 125 0,5 mm Z140	250	125	240	50	0,50	
97703	R PIXCSAEG 250 160 160 0,5 mm Z140	250	160	280	50	0,50	
97704	R PIXCSAEG 250 200 200 0,5 mm Z140	250	200	345	65	0,50	
97705	R PIXCSAEG 300 125 125 0,6 mm Z140	300	125	240	50	0,60	
97706	R PIXCSAEG 300 160 160 0,6 mm Z140	300	160	280	50	0,60	
97707	R PIXCSAEG 300 200 200 0,6 mm Z140	300	200	345	65	0,60	
97708	R PIXCSAEG 300 250 250 0,6 mm Z140	300	250	395	65	0,60	
97709	R PIXCSAEG 315 125 125 0,6 mm Z140	315	125	250	50	0,60	
97710	R PIXCSAEG 315 160 160 0,6 mm Z140	315	160	290	50	0,60	
97711	R PIXCSAEG 315 200 200 0,6 mm Z140	315	200	342	56	0,60	
97712	R PIXCSAEG 315 250 250 0,6 mm Z140	315	250	395	65	0,60	
97713	R PIXCSAEG 315 300 300 0,6 mm Z140	315	300	465	75	0,60	
97714	R PIXCSAEG 355 125 125 0,6 mm Z140	355	125	250	50	0,60	
97715	R PIXCSAEG 355 160 160 0,6 mm Z140	355	160	295	50	0,60	
97716	R PIXCSAEG 355 200 200 0,6 mm Z140	355	200	345	65	0,60	
97717	R PIXCSAEG 355 250 250 0,6 mm Z140	355	250	395	65	0,60	
97718	R PIXCSAEG 355 300 300 0,6 mm Z140	355	300	465	75	0,60	
97719	R PIXCSAEG 355 315 315 0,6 mm Z140	355	315	490	75	0,60	
97720	R PIXCSAEG 400 125 125 0,6 mm Z140	400	125	250	50	0,60	
97721	R PIXCSAEG 400 160 160 0,6 mm Z140	400	160	290	50	0,60	
97722	R PIXCSAEG 400 200 200 0,6 mm Z140	400	200	345	65	0,60	
97723	R PIXCSAEG 400 250 250 0,6 mm Z140	400	250	395	65	0,60	
97724	R PIXCSAEG 400 300 300 0,6 mm Z140	400	300	465	75	0,60	

Note

For the other sizes, please contact the commercial department.



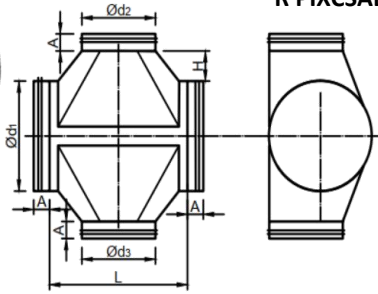
SPIRAL® SYSTEM ROUND VENTILATION DUCTS AND FITTINGS

X-Piece R PIXCSAEG

with gasket

Pieces type T; X; Y

Explanation:



Product Code Model

R PIXCSAEG 400 315 315 0,6 mm Z140

R PIXCSAEG

400 Diameter d1 [mm]

315 Diameter d2 [mm]

315 Diameter d3 [mm]

0,6 mm Thickness δ [mm]

Z140 Class



A = 50 [mm]

SKU	TYPE	Diameter d1 [mm]	Diameter d2/d3 [mm]	L [mm]	H [mm]	Thickness δ [mm]	
97725	R PIXCSAEG 400 315 315 0,6 mm Z140	400	315	480	75	0,60	
97726	R PIXCSAEG 400 355 355 0,6 mm Z140	400	355	540	85	0,60	
97727	R PIXCSAEG 450 160 160 0,6 mm Z140	450	160	290	50	0,60	
97728	R PIXCSAEG 450 200 200 0,6 mm Z140	450	200	345	65	0,60	
97729	R PIXCSAEG 450 250 250 0,6 mm Z140	450	250	395	65	0,60	
97730	R PIXCSAEG 450 300 300 0,6 mm Z140	450	300	465	75	0,60	
97731	R PIXCSAEG 450 315 315 0,6 mm Z140	450	315	480	75	0,60	
97732	R PIXCSAEG 450 355 355 0,6 mm Z140	450	355	540	85	0,60	
97733	R PIXCSAEG 450 400 400 0,6 mm Z140	450	400	585	85	0,60	
97734	R PIXCSAEG 500 200 200 0,7 mm Z140	500	200	345	65	0,70	
97735	R PIXCSAEG 500 250 250 0,7 mm Z140	500	250	395	65	0,70	
97736	R PIXCSAEG 500 300 300 0,7 mm Z140	500	300	465	75	0,70	
97737	R PIXCSAEG 500 315 315 0,7 mm Z140	500	315	480	75	0,70	
97738	R PIXCSAEG 500 355 355 0,7 mm Z140	500	355	540	85	0,70	
97739	R PIXCSAEG 500 400 400 0,7 mm Z140	500	400	585	85	0,70	
97740	R PIXCSAEG 500 450 450 0,7 mm Z140	500	450	635	85	0,70	
97741	R PIXCSAEG 560 200 200 0,7 mm Z140	560	200	345	65	0,70	
97742	R PIXCSAEG 560 250 250 0,7 mm Z140	560	250	395	65	0,70	
97743	R PIXCSAEG 560 300 300 0,7 mm Z140	560	300	465	75	0,70	
97744	R PIXCSAEG 560 315 315 0,7 mm Z140	560	315	480	75	0,70	
97745	R PIXCSAEG 560 355 355 0,7 mm Z140	560	355	540	85	0,70	
97746	R PIXCSAEG 560 400 400 0,7 mm Z140	560	400	585	85	0,70	
97747	R PIXCSAEG 560 450 450 0,7 mm Z140	560	450	635	85	0,70	
97748	R PIXCSAEG 560 500 500 0,7 mm Z140	560	500	695	90	0,70	
97749	R PIXCSAEG 600 200 200 0,7 mm Z140	600	200	345	65	0,70	
97750	R PIXCSAEG 600 250 250 0,7 mm Z140	600	250	395	65	0,70	
97751	R PIXCSAEG 600 300 300 0,7 mm Z140	600	300	465	75	0,70	
97752	R PIXCSAEG 600 315 315 0,7 mm Z140	600	315	480	75	0,70	
97753	R PIXCSAEG 600 355 355 0,7 mm Z140	600	355	540	85	0,70	
97754	R PIXCSAEG 600 400 400 0,7 mm Z140	600	400	585	85	0,70	
97755	R PIXCSAEG 600 450 450 0,7 mm Z140	600	450	635	85	0,70	
97756	R PIXCSAEG 600 500 500 0,7 mm Z140	600	500	695	90	0,70	
97757	R PIXCSAEG 600 560 560 0,7 mm Z140	600	560	755	90	0,70	
97758	R PIXCSAEG 630 200 200 0,7 mm Z140	630	200	355	65	0,70	
97759	R PIXCSAEG 630 250 250 0,7 mm Z140	630	250	405	65	0,70	
97760	R PIXCSAEG 630 300 300 0,7 mm Z140	630	300	465	75	0,70	

Note For the other sizes, please contact the commercial department.

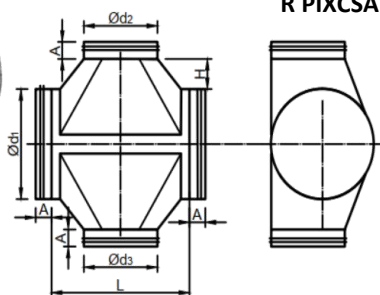


SPIRAL® SYSTEM ROUND VENTILATION DUCTS AND FITTINGS

X-Piece R PIXCSAEG

**Pieces type T; X; Y
with gasket**

Explanation:



Product Code Model

R PIXCSAEG 630 315 315 0,7 mm Z140

R PIXCSAEG



A = 50 [mm]

630 Diameter d1 [mm]

315 Diameter d2 [mm]

315 Diameter d3 [mm]

0,7 mm Thickness δ [mm]

Z140 Class

SKU	TYPE	Diameter d1 [mm]	Diameter d2/d3 [mm]	L [mm]	H [mm]	Thickness δ [mm]	
97761	R PIXCSAEG 630 315 315 0,7 mm Z140	630	315	480	75	0,70	
97762	R PIXCSAEG 630 355 355 0,7 mm Z140	630	355	540	85	0,70	
97763	R PIXCSAEG 630 400 400 0,7 mm Z140	630	400	585	85	0,70	
97764	R PIXCSAEG 630 450 450 0,7 mm Z140	630	450	635	85	0,70	
97765	R PIXCSAEG 630 500 500 0,7 mm Z140	630	500	695	90	0,70	
97766	R PIXCSAEG 630 560 560 0,7 mm Z140	630	560	755	90	0,70	
97767	R PIXCSAEG 630 600 600 0,7 mm Z140	630	600	795	90	0,70	
97768	R PIXCSAEG 710 250 250 0,7 mm Z140	710	250	455	65	0,70	
97769	R PIXCSAEG 710 300 300 0,7 mm Z140	710	300	525	75	0,70	
97770	R PIXCSAEG 710 315 315 0,7 mm Z140	710	315	530	75	0,70	
97771	R PIXCSAEG 710 355 355 0,7 mm Z140	710	355	580	85	0,70	
97772	R PIXCSAEG 710 400 400 0,7 mm Z140	710	400	625	85	0,70	
97773	R PIXCSAEG 710 450 450 0,7 mm Z140	710	450	675	85	0,70	
97774	R PIXCSAEG 710 500 500 0,7 mm Z140	710	500	730	90	0,70	
97775	R PIXCSAEG 710 560 560 0,7 mm Z140	710	560	790	90	0,70	
97776	R PIXCSAEG 710 600 600 0,7 mm Z140	710	600	830	90	0,70	
97777	R PIXCSAEG 710 630 630 0,7 mm Z140	710	630	860	90	0,70	
97778	R PIXCSAEG 800 250 250 0,8 mm Z140	800	250	455	65	0,80	
97779	R PIXCSAEG 800 300 300 0,8 mm Z140	800	300	515	75	0,80	
97780	R PIXCSAEG 800 315 315 0,8 mm Z140	800	315	530	75	0,80	
97781	R PIXCSAEG 800 355 355 0,8 mm Z140	800	355	580	85	0,80	
97782	R PIXCSAEG 800 400 400 0,8 mm Z140	800	400	625	85	0,80	
97783	R PIXCSAEG 800 450 450 0,8 mm Z140	800	450	675	85	0,80	
97784	R PIXCSAEG 800 500 500 0,8 mm Z140	800	500	730	90	0,80	
97785	R PIXCSAEG 800 560 560 0,8 mm Z140	800	560	790	90	0,80	
97786	R PIXCSAEG 800 600 600 0,8 mm Z140	800	600	830	90	0,80	
97787	R PIXCSAEG 800 630 630 0,8 mm Z140	800	630	860	90	0,80	
97788	R PIXCSAEG 800 710 710 0,8 mm Z140	800	710	940	90	0,80	
97789	R PIXCSAEG 900 315 315 0,8 mm Z140	900	315	530	75	0,80	
97790	R PIXCSAEG 900 355 355 0,8 mm Z140	900	355	580	85	0,80	
97791	R PIXCSAEG 900 400 400 0,8 mm Z140	900	400	625	85	0,80	
97792	R PIXCSAEG 900 450 450 0,8 mm Z140	900	450	675	85	0,80	
97793	R PIXCSAEG 900 500 500 0,8 mm Z140	900	500	730	90	0,80	
97794	R PIXCSAEG 900 560 560 0,8 mm Z140	900	560	790	90	0,80	
97795	R PIXCSAEG 900 600 600 0,8 mm Z140	900	600	830	90	0,80	
97796	R PIXCSAEG 900 630 630 0,8 mm Z140	900	630	860	90	0,80	

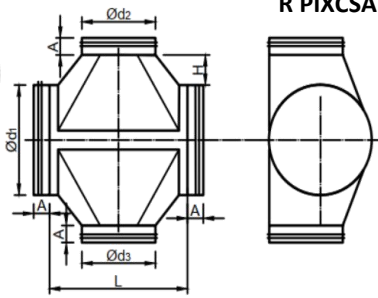
Note For the other sizes, please contact the commercial department.

SPIRAL® SYSTEM ROUND VENTILATION DUCTS AND FITTINGS

X-Piece R PIXCSAEG

**Pieces type T; X; Y
with gasket**

Explanation:



Product Code Model

R PIXCSAEG 900 710 710 0,8 mm Z140



A = 50 [mm]

R PIXCSAEG

- 900** Diameter d1 [mm]
- 710** Diameter d2 [mm]
- 710** Diameter d3 [mm]
- 0,8 mm** Thickness δ [mm]
- Z140** Class

SKU	TYPE	Diameter d1 [mm]	Diameter d2/d3 [mm]	L [mm]	H [mm]	Thickness δ [mm]	
97797	R PIXCSAEG 900 710 710 0,8 mm Z140	900	710	940	90	0,80	
97798	R PIXCSAEG 900 800 800 0,8 mm Z140	900	800	1030	90	0,80	
97799	R PIXCSAEG 1000 315 315 0,8 mm Z140	1000	315	530	75	0,80	
97800	R PIXCSAEG 1000 355 355 0,8 mm Z140	1000	355	580	85	0,80	
97801	R PIXCSAEG 1000 400 400 0,8 mm Z140	1000	400	625	85	0,80	
97802	R PIXCSAEG 1000 450 450 0,8 mm Z140	1000	450	675	85	0,80	
97803	R PIXCSAEG 1000 500 500 0,8 mm Z140	1000	500	730	90	0,80	
97804	R PIXCSAEG 1000 560 560 0,8 mm Z140	1000	560	790	90	0,80	
97805	R PIXCSAEG 1000 600 600 0,8 mm Z140	1000	600	830	90	0,80	
97806	R PIXCSAEG 1000 630 630 0,8 mm Z140	1000	630	860	90	0,80	
97807	R PIXCSAEG 1000 710 710 0,8 mm Z140	1000	710	940	90	0,80	
97808	R PIXCSAEG 1000 800 800 0,8 mm Z140	1000	800	1030	90	0,80	
97809	R PIXCSAEG 1000 900 900 0,8 mm Z140	1000	900	1150	90	0,80	

Note

For the other sizes, please contact the commercial department.

SPIRAL®SYSTEM ROUND VENTILATION DUCTS AND FITTINGS

**Pieces type T; X; Y
with gasket**

X-Piece Centric R PIXCSAPG



Description:

The Type X part is used in air conditioning systems and ventilation systems for making bifurcations in the flexible and rigid ducting for exhaust or exhaust ducting. the most uniform introduction of air.

Used Material:

Galvanized steel DX51, Class Z140.

Note:

The thickness of the galvanized sheet varies depending on the diameter.

Product Code Model

R PIXCSAPG 160 125 125 0,5 mm Z140

Explanation:

R PIXCSAPG

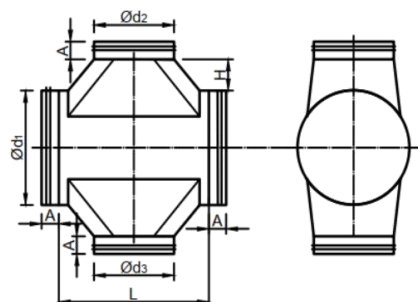
160 Diameter d1 [mm]

125 Diameter d2 [mm]

125 Diameter d3 [mm]

0,5 mm Thickness δ [mm]

Z140 Class



A = 50 [mm]

SKU	TYPE	Diameter d1 [mm]	Diameter d2/d3 [mm]	L [mm]	H [mm]	Thickness δ [mm]
97940	R PIXCSAPG 160 125 125 0,5 mm Z140	160	125	206	70	0,50
97941	R PIXCSAPG 200 125 125 0,5 mm Z140	200	125	206	70	0,50
97942	R PIXCSAPG 200 160 160 0,5 mm Z140	200	160	241	70	0,50
97943	R PIXCSAPG 250 125 125 0,5 mm Z140	250	125	206	70	0,50
97944	R PIXCSAPG 250 160 160 0,5 mm Z140	250	160	241	70	0,50
97945	R PIXCSAPG 250 200 200 0,5 mm Z140	250	200	281	70	0,50
97946	R PIXCSAPG 300 125 125 0,6 mm Z140	300	125	206	70	0,60
97947	R PIXCSAPG 300 160 160 0,6 mm Z140	300	160	241	70	0,60
97948	R PIXCSAPG 300 200 200 0,6 mm Z140	300	200	281	70	0,60
97949	R PIXCSAPG 300 250 250 0,6 mm Z140	300	250	331	70	0,60
97950	R PIXCSAPG 315 125 125 0,6 mm Z140	315	125	206	70	0,60
97951	R PIXCSAPG 315 160 160 0,6 mm Z140	315	160	241	70	0,60
97952	R PIXCSAPG 315 200 200 0,6 mm Z140	315	200	281	70	0,60
97953	R PIXCSAPG 315 250 250 0,6 mm Z140	315	250	331	70	0,60
97954	R PIXCSAPG 315 300 300 0,6 mm Z140	315	300	391	78	0,60
97955	R PIXCSAPG 355 125 125 0,6 mm Z140	355	125	206	70	0,60
97956	R PIXCSAPG 355 160 160 0,6 mm Z140	355	160	241	70	0,60
97957	R PIXCSAPG 355 200 200 0,6 mm Z140	355	200	281	70	0,60
97958	R PIXCSAPG 355 250 250 0,6 mm Z140	355	250	331	70	0,60
97959	R PIXCSAPG 355 300 300 0,6 mm Z140	355	300	391	78	0,60
97960	R PIXCSAPG 355 315 315 0,6 mm Z140	355	315	406	78	0,60
97961	R PIXCSAPG 400 125 125 0,6 mm Z140	400	125	206	70	0,60
97962	R PIXCSAPG 400 160 160 0,6 mm Z140	400	160	241	70	0,60
97963	R PIXCSAPG 400 200 200 0,6 mm Z140	400	200	281	70	0,60
97964	R PIXCSAPG 400 250 250 0,6 mm Z140	400	250	331	70	0,60
97965	R PIXCSAPG 400 300 300 0,6 mm Z140	400	300	387	75	0,60

Note

For the other sizes, please contact the commercial department.

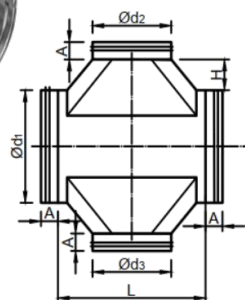


SPIRAL® SYSTEM ROUND VENTILATION DUCTS AND FITTINGS

X-Piece Centric R PIXCSAPG

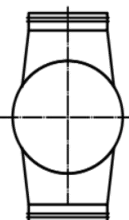
**Pieces type T; X; Y
with gasket**

Explanation:



Product Code Model

R PIXCSAPG 400 315 315 0,6 mm Z140



A = 50 [mm]

R PIXCSAPG

400 Diameter d1 [mm]

315 Diameter d2 [mm]

315 Diameter d3 [mm]

0,6 mm Thickness δ [mm]

Z140 Class

SKU	TYPE	Diameter d1 [mm]	Diameter d2/d3 [mm]	L [mm]	H [mm]	Thickness δ [mm]	
97966	R PIXCSAPG 400 315 315 0,6 mm Z140	400	315	402	75	0,60	
97967	R PIXCSAPG 400 355 355 0,6 mm Z140	400	355	454	85	0,60	
97968	R PIXCSAPG 450 125 125 0,6 mm Z140	450	125	206	70	0,60	
97969	R PIXCSAPG 450 160 160 0,6 mm Z140	450	160	241	70	0,60	
97970	R PIXCSAPG 450 200 200 0,6 mm Z140	450	200	281	70	0,60	
97971	R PIXCSAPG 450 250 250 0,6 mm Z140	450	250	331	70	0,60	
97972	R PIXCSAPG 450 300 300 0,6 mm Z140	450	300	387	75	0,60	
97973	R PIXCSAPG 450 315 315 0,6 mm Z140	450	315	402	75	0,60	
97974	R PIXCSAPG 450 355 355 0,6 mm Z140	450	355	454	85	0,60	
97975	R PIXCSAPG 450 400 400 0,6 mm Z140	450	400	499	85	0,60	
97976	R PIXCSAPG 500 125 125 0,7 mm Z140	500	125	206	70	0,70	
97977	R PIXCSAPG 500 160 160 0,7 mm Z140	500	160	241	70	0,70	
97978	R PIXCSAPG 500 200 200 0,7 mm Z140	500	200	281	70	0,70	
97979	R PIXCSAPG 500 250 250 0,7 mm Z140	500	250	331	70	0,70	
97980	R PIXCSAPG 500 300 300 0,7 mm Z140	500	300	387	75	0,70	
97981	R PIXCSAPG 500 315 315 0,7 mm Z140	500	315	402	75	0,70	
97982	R PIXCSAPG 500 355 355 0,7 mm Z140	500	355	454	85	0,70	
97983	R PIXCSAPG 500 400 400 0,7 mm Z140	500	400	499	85	0,70	
97984	R PIXCSAPG 500 450 450 0,7 mm Z140	500	450	549	85	0,70	
97985	R PIXCSAPG 560 200 200 0,7 mm Z140	560	200	281	70	0,70	
97986	R PIXCSAPG 560 250 250 0,7 mm Z140	560	250	331	70	0,70	
97987	R PIXCSAPG 560 300 300 0,7 mm Z140	560	300	387	75	0,70	
97988	R PIXCSAPG 560 315 315 0,7 mm Z140	560	315	402	75	0,70	
97989	R PIXCSAPG 560 355 355 0,7 mm Z140	560	355	454	85	0,70	
97990	R PIXCSAPG 560 400 400 0,7 mm Z140	560	400	499	85	0,70	
97991	R PIXCSAPG 560 450 450 0,7 mm Z140	560	450	549	85	0,70	
97992	R PIXCSAPG 560 500 500 0,7 mm Z140	560	500	604	90	0,70	
97993	R PIXCSAPG 600 200 200 0,7 mm Z140	600	200	281	70	0,70	
97994	R PIXCSAPG 600 250 250 0,7 mm Z140	600	250	331	70	0,70	
97995	R PIXCSAPG 600 300 300 0,7 mm Z140	600	300	399	85	0,70	
97996	R PIXCSAPG 600 315 315 0,7 mm Z140	600	315	414	85	0,70	
97997	R PIXCSAPG 600 355 355 0,7 mm Z140	600	355	454	85	0,70	
97998	R PIXCSAPG 600 400 400 0,7 mm Z140	600	400	499	85	0,70	
97999	R PIXCSAPG 600 450 450 0,7 mm Z140	600	450	549	85	0,70	
98000	R PIXCSAPG 600 500 500 0,7 mm Z140	600	500	604	90	0,70	
98001	R PIXCSAPG 600 560 560 0,7 mm Z140	600	560	664	90	0,70	

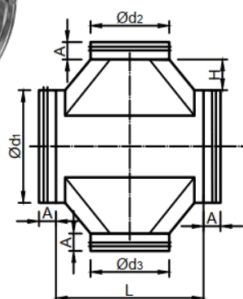
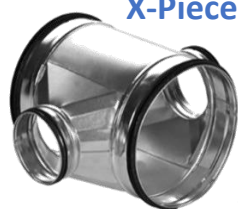


SPIRAL® SYSTEM ROUND VENTILATION DUCTS AND FITTINGS

X-Piece Centric R PIXCSAPG

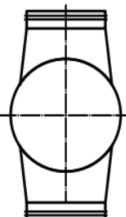
Pieces type T; X; Y with gasket

Explanation:



Product Code Model

R PIXCSAPG 630 200 200 0,7 mm Z140



A = 50 [mm]

R PIXCSAPG

630 Diameter d1 [mm]

200 Diameter d2 [mm]

200 Diameter d3 [mm]

0,7 mm Thickness δ [mm]

Z140 Class

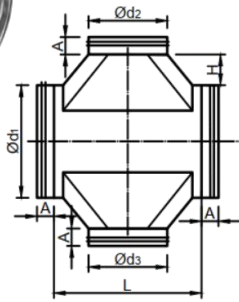
SKU	TYPE	Diameter d1 [mm]	Diameter d2/d3 [mm]	L [mm]	H [mm]	Thickness δ [mm]	
98002	R PIXCSAPG 630 200 200 0,7 mm Z140	630	200	281	70	0,70	
98003	R PIXCSAPG 630 250 250 0,7 mm Z140	630	250	331	70	0,70	
98004	R PIXCSAPG 630 300 300 0,7 mm Z140	630	300	387	75	0,70	
98005	R PIXCSAPG 630 315 315 0,7 mm Z140	630	315	402	75	0,70	
98006	R PIXCSAPG 630 355 355 0,7 mm Z140	630	355	454	85	0,70	
98007	R PIXCSAPG 630 400 400 0,7 mm Z140	630	400	499	85	0,70	
98008	R PIXCSAPG 630 450 450 0,7 mm Z140	630	450	549	85	0,70	
98009	R PIXCSAPG 630 500 500 0,7 mm Z140	630	500	604	90	0,70	
98010	R PIXCSAPG 630 560 560 0,7 mm Z140	630	560	664	90	0,70	
98011	R PIXCSAPG 630 600 600 0,7 mm Z140	630	600	704	90	0,70	
98012	R PIXCSAPG 710 250 250 0,7 mm Z140	710	250	331	70	0,70	
98013	R PIXCSAPG 710 300 300 0,7 mm Z140	710	300	387	75	0,70	
98014	R PIXCSAPG 710 315 315 0,7 mm Z140	710	315	402	75	0,70	
98015	R PIXCSAPG 710 355 355 0,7 mm Z140	710	355	454	85	0,70	
98016	R PIXCSAPG 710 400 400 0,7 mm Z140	710	400	499	85	0,70	
98017	R PIXCSAPG 710 450 450 0,7 mm Z140	710	450	549	85	0,70	
98018	R PIXCSAPG 710 500 500 0,7 mm Z140	710	500	604	90	0,70	
98019	R PIXCSAPG 710 560 560 0,7 mm Z140	710	560	664	90	0,70	
98020	R PIXCSAPG 710 600 600 0,7 mm Z140	710	600	704	90	0,70	
98021	R PIXCSAPG 710 630 630 0,7 mm Z140	710	630	734	90	0,70	
98022	R PIXCSAPG 800 250 250 0,8 mm Z140	800	250	331	70	0,80	
98023	R PIXCSAPG 800 300 300 0,8 mm Z140	800	300	387	75	0,80	
98024	R PIXCSAPG 800 315 315 0,8 mm Z140	800	315	402	75	0,80	
98025	R PIXCSAPG 800 355 355 0,8 mm Z140	800	355	454	85	0,80	
98026	R PIXCSAPG 800 400 400 0,8 mm Z140	800	400	499	85	0,80	
98027	R PIXCSAPG 800 450 450 0,8 mm Z140	800	450	549	85	0,80	
98028	R PIXCSAPG 800 500 500 0,8 mm Z140	800	500	604	90	0,80	
98029	R PIXCSAPG 800 560 560 0,8 mm Z140	800	560	664	90	0,80	
98030	R PIXCSAPG 800 600 600 0,8 mm Z140	800	600	704	90	0,80	
98031	R PIXCSAPG 800 630 630 0,8 mm Z140	800	630	734	90	0,80	
98032	R PIXCSAPG 800 710 710 0,8 mm Z140	800	710	814	90	0,80	
98033	R PIXCSAPG 900 315 315 0,8 mm Z140	900	315	402	75	0,80	
98034	R PIXCSAPG 900 355 355 0,8 mm Z140	900	355	454	85	0,80	
98035	R PIXCSAPG 900 400 400 0,8 mm Z140	900	400	499	85	0,80	
98036	R PIXCSAPG 900 450 450 0,8 mm Z140	900	450	549	85	0,80	
98037	R PIXCSAPG 900 500 500 0,8 mm Z140	900	500	604	90	0,80	

Note For the other sizes, please contact the commercial department.



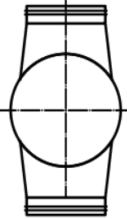
SPIRAL® SYSTEM ROUND VENTILATION DUCTS AND FITTINGS

X-Piece Centric R PIXCSAPG



Product Code Model

R PIXCSAPG 900 560 560 0,8 mm Z140



A = 50 [mm]

**Pieces type T; X; Y
with gasket**

Explanation:

R PIXCSAPG

900 Diameter d1 [mm]

560 Diameter d2 [mm]

560 Diameter d3 [mm]

0,8 mm Thickness δ [mm]

Z140 Class

SKU	TYPE	Diameter d1 [mm]	Diameter d2/d3 [mm]	L [mm]	H [mm]	Thickness δ [mm]	
98038	R PIXCSAPG 900 560 560 0,8 mm Z140	900	560	664	90	0,80	
98039	R PIXCSAPG 900 600 600 0,8 mm Z140	900	600	704	90	0,80	
98040	R PIXCSAPG 900 630 630 0,8 mm Z140	900	630	734	90	0,80	
98041	R PIXCSAPG 900 710 710 0,8 mm Z140	900	710	814	90	0,80	
98042	R PIXCSAPG 900 800 800 0,8 mm Z140	900	800	904	90	0,80	
98043	R PIXCSAPG 1000 315 315 0,8 mm Z140	1000	315	402	75	0,80	
98044	R PIXCSAPG 1000 400 400 0,8 mm Z140	1000	400	499	85	0,80	
98045	R PIXCSAPG 1000 450 450 0,8 mm Z140	1000	450	549	85	0,80	
98046	R PIXCSAPG 1000 500 500 0,8 mm Z140	1000	500	604	90	0,80	
98047	R PIXCSAPG 1000 560 560 0,8 mm Z140	1000	560	664	90	0,80	
98048	R PIXCSAPG 1000 600 600 0,8 mm Z140	1000	600	704	90	0,80	
98049	R PIXCSAPG 1000 630 630 0,8 mm Z140	1000	630	734	90	0,80	
98050	R PIXCSAPG 1000 710 710 0,8 mm Z140	1000	710	814	90	0,80	
98051	R PIXCSAPG 1000 800 800 0,8 mm Z140	1000	800	904	90	0,80	
98052	R PIXCSAPG 1000 900 900 0,8 mm Z140	1000	900	1004	90	0,80	

Note

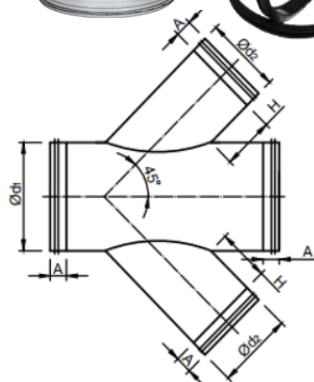
For the other sizes, please contact the commercial department.



SPIRAL® SYSTEM ROUND VENTILATION DUCTS AND FITTINGS

**Pieces type T; X; Y
with gasket**

X-Piece 45° R PIXCG45



Description:

The Type X 45° branch piece is used in the ventilation systems for making branches in flexible as well as rigid ducting sections for the evacuation or introduction of air as evenly as possible.

Used Material:

Galvanized steel DX51, Class Z140.

Note:

The thickness of the galvanized sheet varies depending on the diameter.

Product Code Model

R PIXCG45 125 125 125 0,5 mm Z140

Explanatic Type

R PIXCG45

125 Diameter d1 [mm]

125 Diameter d2 [mm]

125 Diameter d3 [mm]

0,5 mm Thickness δ [mm]

A = 50 [mm]

Z140 Class

SKU	TYPE	Diameter d1 [mm]	Diameter d2/d3 [mm]	L [mm]	H [mm]	Thickness δ [mm]	
98193	R PIXCG45 125 125 125 0,5 mm Z140	125	125	250	29	0,50	
98194	R PIXCG45 160 125 125 0,5 mm Z140	160	125	250	24	0,50	
98195	R PIXCG45 160 160 160 0,5 mm Z140	160	160	300	27	0,50	
98196	R PIXCG45 200 125 125 0,5 mm Z140	200	125	250	26	0,50	
98197	R PIXCG45 200 160 160 0,5 mm Z140	200	160	300	29	0,50	
98198	R PIXCG45 200 200 200 0,5 mm Z140	200	200	355	29	0,50	
98199	R PIXCG45 250 125 125 0,5 mm Z140	250	125	250	31	0,50	
98200	R PIXCG45 250 160 160 0,5 mm Z140	250	160	300	33	0,50	
98201	R PIXCG45 250 200 200 0,5 mm Z140	250	200	355	33	0,50	
98202	R PIXCG45 250 250 250 0,5 mm Z140	250	250	440	28	0,50	
98203	R PIXCG45 300 125 125 0,6 mm Z140	300	125	250	25	0,60	
98204	R PIXCG45 300 160 160 0,6 mm Z140	300	160	300	28	0,60	
98205	R PIXCG45 300 200 200 0,6 mm Z140	300	200	355	28	0,60	
98206	R PIXCG45 300 250 250 0,6 mm Z140	300	250	440	33	0,60	
98207	R PIXCG45 300 300 300 0,6 mm Z140	300	300	510	28	0,60	
98208	R PIXCG45 315 125 125 0,6 mm Z140	315	125	250	25	0,60	
98209	R PIXCG45 315 160 160 0,6 mm Z140	315	160	300	27	0,60	
98210	R PIXCG45 315 200 200 0,6 mm Z140	315	200	355	27	0,60	
98211	R PIXCG45 315 250 250 0,6 mm Z140	315	250	440	32	0,60	
98212	R PIXCG45 315 300 300 0,6 mm Z140	315	300	510	27	0,60	
98213	R PIXCG45 315 315 315 0,6 mm Z140	315	315	530	30	0,60	
98214	R PIXCG45 355 125 125 0,6 mm Z140	355	125	250	36	0,60	
98215	R PIXCG45 355 160 160 0,6 mm Z140	355	160	300	29	0,60	
98216	R PIXCG45 355 200 200 0,6 mm Z140	355	200	355	29	0,60	
98217	R PIXCG45 355 250 250 0,6 mm Z140	355	250	440	24	0,60	
98218	R PIXCG45 355 300 300 0,6 mm Z140	355	300	510	29	0,60	

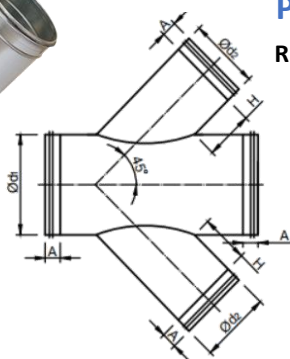
Note

For the other sizes, please contact the commercial department.



SPIRAL® SYSTEM ROUND VENTILATION DUCTS AND FITTINGS

X-Piece 45° R PIXCG45



Product Code Model

R PIXCG45 355 315 315 0,6 mm Z140



A = 50 [mm]

Pieces type T; X; Y with gasket

Explanation:

R PIXCG45 Type

355 Diameter d1 [mm]

315 Diameter d2 [mm]

315 Diameter d3 [mm]

0,6 mm Thickness δ [mm]

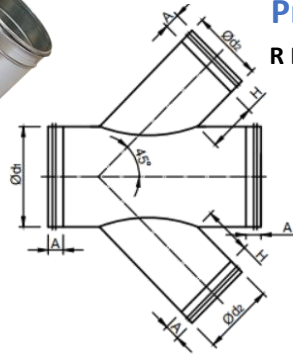
Z140 Class

SKU	TYPE	Diameter d1 [mm]	Diameter d2/d3 [mm]	L [mm]	H [mm]	Thickness δ [mm]	
98219	R PIXCG45 355 315 315 0,6 mm Z140	355	315	530	31	0,60	
98220	R PIXCG45 355 355 355 0,6 mm Z140	355	355	585	31	0,60	
98221	R PIXCG45 400 125 125 0,6 mm Z140	400	125	250	45	0,60	
98222	R PIXCG45 400 160 160 0,6 mm Z140	400	160	300	27	0,60	
98223	R PIXCG45 400 200 200 0,6 mm Z140	400	200	355	27	0,60	
98224	R PIXCG45 400 250 250 0,6 mm Z140	400	250	440	32	0,60	
98225	R PIXCG45 400 300 300 0,6 mm Z140	400	300	510	27	0,60	
98226	R PIXCG45 400 315 315 0,6 mm Z140	400	315	530	30	0,60	
98227	R PIXCG45 400 355 355 0,6 mm Z140	400	355	585	30	0,60	
98228	R PIXCG45 400 400 400 0,6 mm Z140	400	400	650	27	0,60	
98229	R PIXCG45 450 125 125 0,6 mm Z140	450	125	250	59	0,60	
98230	R PIXCG45 450 160 160 0,6 mm Z140	450	160	300	42	0,60	
98231	R PIXCG45 450 200 200 0,6 mm Z140	450	200	355	32	0,60	
98232	R PIXCG45 450 250 250 0,6 mm Z140	450	250	440	27	0,60	
98233	R PIXCG45 450 300 300 0,6 mm Z140	450	300	510	32	0,60	
98234	R PIXCG45 450 315 315 0,6 mm Z140	450	315	530	24	0,60	
98235	R PIXCG45 450 355 355 0,6 mm Z140	450	355	585	24	0,60	
98236	R PIXCG45 450 400 400 0,6 mm Z140	450	400	650	32	0,60	
98237	R PIXCG45 450 450 450 0,6 mm Z140	450	450	740	27	0,60	
98238	R PIXCG45 500 125 125 0,7 mm Z140	500	125	250	64	0,70	
98239	R PIXCG45 500 160 160 0,7 mm Z140	500	160	300	46	0,70	
98240	R PIXCG45 500 200 200 0,7 mm Z140	500	200	355	26	0,70	
98241	R PIXCG45 500 250 250 0,7 mm Z140	500	250	440	31	0,70	
98242	R PIXCG45 500 300 300 0,7 mm Z140	500	300	510	26	0,70	
98243	R PIXCG45 500 315 315 0,7 mm Z140	500	315	530	29	0,70	
98244	R PIXCG45 500 355 355 0,7 mm Z140	500	355	585	29	0,70	
98245	R PIXCG45 500 400 400 0,7 mm Z140	500	400	650	26	0,70	
98246	R PIXCG45 500 450 450 0,7 mm Z140	500	450	740	31	0,70	
98247	R PIXCG45 500 500 500 0,7 mm Z140	500	500	810	26	0,70	
98248	R PIXCG45 560 160 160 0,7 mm Z140	560	160	300	64	0,70	
98249	R PIXCG45 560 200 200 0,7 mm Z140	560	200	355	44	0,70	
98250	R PIXCG45 560 250 250 0,7 mm Z140	560	250	440	29	0,70	
98251	R PIXCG45 560 300 300 0,7 mm Z140	560	300	510	34	0,70	
98252	R PIXCG45 560 315 315 0,7 mm Z140	560	315	530	27	0,70	
98253	R PIXCG45 560 355 355 0,7 mm Z140	560	355	585	27	0,70	
98254	R PIXCG45 560 400 400 0,7 mm Z140	560	400	650	34	0,70	



SPIRAL® SYSTEM ROUND VENTILATION DUCTS AND FITTINGS

X-Piece 45° R PIXCG45



Product Code Model

R PIXCG45 560 450 450 0,7 mm Z140



A = 50 [mm]

Pieces type T; X; Y with gasket

Explanation:

R PIXCG45 Type

560 Diameter d1 [mm]

450 Diameter d2 [mm]

450 Diameter d3 [mm]

0,7 mm Thickness δ [mm]

Z140 Class

SKU	TYPE	Diameter d1 [mm]	Diameter d2/d3 [mm]	L [mm]	H [mm]	Thickness δ [mm]	
98255	R PIXCG45 560 450 450 0,7 mm Z140	560	450	740	29	0,70	
98256	R PIXCG45 560 500 500 0,7 mm Z140	560	500	810	34	0,70	
98257	R PIXCG45 560 560 560 0,7 mm Z140	560	560	900	34	0,70	
98258	R PIXCG45 600 250 250 0,7 mm Z140	600	250	440	31	0,70	
98259	R PIXCG45 600 300 300 0,7 mm Z140	600	300	510	36	0,70	
98260	R PIXCG45 600 315 315 0,7 mm Z140	600	315	530	28	0,70	
98261	R PIXCG45 600 355 355 0,7 mm Z140	600	355	585	28	0,70	
98262	R PIXCG45 600 400 400 0,7 mm Z140	600	400	650	36	0,70	
98263	R PIXCG45 600 450 450 0,7 mm Z140	600	450	740	31	0,70	
98264	R PIXCG45 600 500 500 0,7 mm Z140	600	500	810	36	0,70	
98265	R PIXCG45 600 560 560 0,7 mm Z140	600	560	900	36	0,70	
98266	R PIXCG45 600 600 600 0,7 mm Z140	600	600	960	36	0,70	
98267	R PIXCG45 630 315 315 0,7 mm Z140	630	315	530	27	0,70	
98268	R PIXCG45 630 355 355 0,7 mm Z140	630	355	585	27	0,70	
98269	R PIXCG45 630 400 400 0,7 mm Z140	630	400	650	35	0,70	
98270	R PIXCG45 630 450 450 0,7 mm Z140	630	450	740	30	0,70	
98271	R PIXCG45 630 500 500 0,7 mm Z140	630	500	810	35	0,70	
98272	R PIXCG45 630 560 560 0,7 mm Z140	630	560	900	35	0,70	
98273	R PIXCG45 630 600 600 0,7 mm Z140	630	600	960	35	0,70	
98274	R PIXCG45 630 630 630 0,7 mm Z140	630	630	1010	30	0,70	
98275	R PIXCG45 710 315 315 0,7 mm Z140	710	315	530	30	0,70	
98276	R PIXCG45 710 355 355 0,7 mm Z140	710	355	585	30	0,70	
98277	R PIXCG45 710 400 400 0,7 mm Z140	710	400	650	38	0,70	
98278	R PIXCG45 710 450 450 0,7 mm Z140	710	450	740	33	0,70	
98279	R PIXCG45 710 500 500 0,7 mm Z140	710	500	810	38	0,70	
98280	R PIXCG45 710 560 560 0,7 mm Z140	710	560	900	38	0,70	
98281	R PIXCG45 710 600 600 0,7 mm Z140	710	600	960	38	0,70	
98282	R PIXCG45 710 630 630 0,7 mm Z140	710	630	1010	33	0,70	
98283	R PIXCG45 710 710 710 0,7 mm Z140	710	710	1130	33	0,70	
98284	R PIXCG45 800 315 315 0,7 mm Z140	800	315	530	47	0,70	
98285	R PIXCG45 800 355 355 0,7 mm Z140	800	355	585	47	0,70	
98286	R PIXCG45 800 400 400 0,7 mm Z140	800	400	650	44	0,70	
98287	R PIXCG45 800 450 450 0,7 mm Z140	800	450	740	49	0,70	
98288	R PIXCG45 800 500 500 0,7 mm Z140	800	500	810	44	0,70	
98289	R PIXCG45 800 560 560 0,7 mm Z140	800	560	900	44	0,70	
98290	R PIXCG45 800 600 600 0,7 mm Z140	800	600	960	44	0,70	

Note For the other sizes, please contact the commercial department.



SPIRAL® SYSTEM ROUND VENTILATION DUCTS AND FITTINGS

X-Piece 45° R PIXCG45

**Pieces type T; X; Y
with gasket**

Explanation:

R PIXCG45 Type

800 Diameter d1 [mm]

630 Diameter d2 [mm]

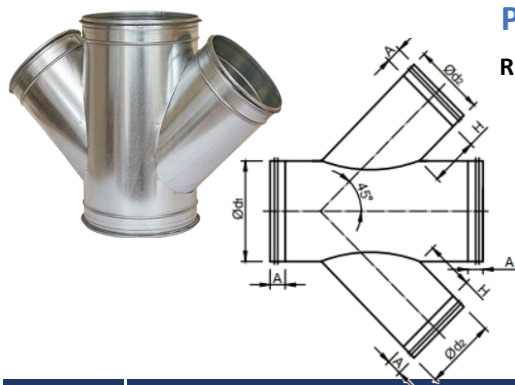
630 Diameter d3 [mm]

0,7 mm Thickness δ [mm]

Z140 Class

Product Code Model

R PIXCG45 800 630 630 0,7 mm Z140



A = 50 [mm]

SKU	TYPE	Diameter d1 [mm]	Diameter d2/d3 [mm]	L [mm]	H [mm]	Thickness δ [mm]	
98291	R PIXCG45 800 630 630 0,7 mm Z140	800	630	1010	49	0,70	
98292	R PIXCG45 800 710 710 0,7 mm Z140	800	710	1130	49	0,70	
98293	R PIXCG45 800 800 800 0,7 mm Z140	800	800	1270	44	0,70	
98294	R PIXCG45 900 355 355 0,7 mm Z140	900	355	585	46	0,70	
98295	R PIXCG45 900 400 400 0,7 mm Z140	900	400	650	54	0,70	
98296	R PIXCG45 900 450 450 0,7 mm Z140	900	450	740	49	0,70	
98297	R PIXCG45 900 500 500 0,7 mm Z140	900	500	810	54	0,70	
98298	R PIXCG45 900 560 560 0,7 mm Z140	900	560	900	54	0,70	
98299	R PIXCG45 900 600 600 0,7 mm Z140	900	600	960	54	0,70	
98300	R PIXCG45 900 630 630 0,7 mm Z140	900	630	1010	49	0,70	
98301	R PIXCG45 900 710 710 0,7 mm Z140	900	710	1130	49	0,70	
98302	R PIXCG45 900 800 800 0,7 mm Z140	900	800	1270	54	0,70	
98303	R PIXCG45 900 900 900 0,7 mm Z140	900	900	1430	54	0,70	
98304	R PIXCG45 1000 400 400 0,7 mm Z140	1000	400	650	53	0,70	
98305	R PIXCG45 1000 450 450 0,7 mm Z140	1000	450	740	48	0,70	
98306	R PIXCG45 1000 500 500 0,7 mm Z140	1000	500	810	53	0,70	
98307	R PIXCG45 1000 560 560 0,7 mm Z140	1000	560	900	53	0,70	
98308	R PIXCG45 1000 600 600 0,7 mm Z140	1000	600	960	53	0,70	
98309	R PIXCG45 1000 630 630 0,7 mm Z140	1000	630	1010	48	0,70	
98310	R PIXCG45 1000 710 710 0,7 mm Z140	1000	710	1130	48	0,70	
98311	R PIXCG45 1000 800 800 0,7 mm Z140	1000	800	1270	53	0,70	
98312	R PIXCG45 1000 900 900 0,7 mm Z140	1000	900	1430	53	0,70	
98313	R PIXCG45 1000 1000 1000 0,7 mm Z140	1000	1000	1590	53	0,70	

Note

For the other sizes, please contact the commercial department.



SPIRAL® SYSTEM ROUND VENTILATION DUCTS AND FITTINGS

**Pieces type T; X; Y
with gasket**

Y-Piece 45° R PIYCG45



Description:

The Type Y part is used in the ventilation systems for making bifurcations in flexible as well as rigid ductwork sections for the evacuation or introduction of air as evenly as possible.

Used Material:

Galvanized steel DX51, Class Z140.

Note:

The thickness of the galvanized sheet varies depending on the diameter.

Product Code Model

R PIYCG45 125 125 125 0,5 mm Z140

Explanation:

R PIYCG45 Type

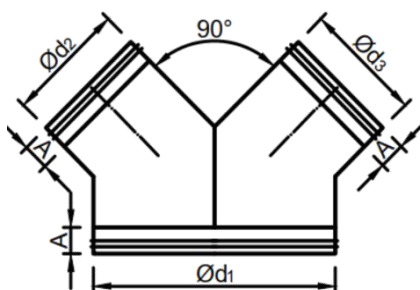
125 Diameter d1 [mm]

125 Diameter d2 [mm]

125 Diameter d3 [mm]

0,5 mm Thickness δ [mm]

Z140 Class



SKU	TYPE	Diameter d1 [mm]	Diameter d2/d3 [mm]	A [mm]	Thickness δ [mm]
98385	R PIYCG45 125 125 125 0,5 mm Z140	125	125	50	0,50
98386	R PIYCG45 160 125 125 0,5 mm Z140	160	125	50	0,50
98387	R PIYCG45 160 160 160 0,5 mm Z140	160	160	50	0,50
98388	R PIYCG45 200 125 125 0,5 mm Z140	200	125	50	0,50
98389	R PIYCG45 200 160 160 0,5 mm Z140	200	160	50	0,50
98390	R PIYCG45 200 200 200 0,5 mm Z140	200	200	50	0,50
98391	R PIYCG45 250 125 125 0,5 mm Z140	250	125	50	0,50
98392	R PIYCG45 250 160 160 0,5 mm Z140	250	160	50	0,50
98393	R PIYCG45 250 200 200 0,5 mm Z140	250	200	50	0,50
98394	R PIYCG45 250 250 250 0,5 mm Z140	250	250	50	0,50
98395	R PIYCG45 300 125 125 0,6 mm Z140	300	125	50	0,60
98396	R PIYCG45 300 160 160 0,6 mm Z140	300	160	50	0,60
98397	R PIYCG45 300 200 200 0,6 mm Z140	300	200	50	0,60
98398	R PIYCG45 300 250 250 0,6 mm Z140	300	250	50	0,60
98399	R PIYCG45 300 300 300 0,6 mm Z140	300	300	50	0,60
98400	R PIYCG45 315 160 160 0,6 mm Z140	315	160	50	0,60
98401	R PIYCG45 315 200 200 0,6 mm Z140	315	200	50	0,60
98402	R PIYCG45 315 250 250 0,6 mm Z140	315	250	50	0,60
98403	R PIYCG45 315 300 300 0,6 mm Z140	315	300	50	0,60
98404	R PIYCG45 315 315 315 0,6 mm Z140	315	315	50	0,60
98405	R PIYCG45 355 160 160 0,6 mm Z140	355	160	50	0,60
98406	R PIYCG45 355 200 200 0,6 mm Z140	355	200	50	0,60
98407	R PIYCG45 355 250 250 0,6 mm Z140	355	250	50	0,60
98408	R PIYCG45 355 300 300 0,6 mm Z140	355	300	50	0,60
98409	R PIYCG45 355 315 315 0,6 mm Z140	355	315	50	0,60
98410	R PIYCG45 355 355 355 0,6 mm Z140	355	355	50	0,60

Note

For the other sizes, please contact the commercial department.



SPIRAL® SYSTEM ROUND VENTILATION DUCTS AND FITTINGS

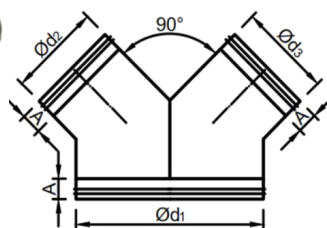
Y-Piece 45° R PIYCG45

Pieces type T; X; Y with gasket



Product Code Model

R PIYCG45 400 160 160 0,6 mm Z140



Explanation:

R PIYCG45 Type

400 Diameter d1 [mm]

160 Diameter d2 [mm]

160 Diameter d3 [mm]

0,6 mm Thickness δ [mm]

Z140 Class

SKU	TYPE	Diameter d1 [mm]	Diameter d2/d3 [mm]	A [mm]	Thickness δ [mm]
98411	R PIYCG45 400 160 160 0,6 mm Z140	400	160	50	0,60
98412	R PIYCG45 400 200 200 0,6 mm Z140	400	200	50	0,60
98413	R PIYCG45 400 250 250 0,6 mm Z140	400	250	50	0,60
98414	R PIYCG45 400 300 300 0,6 mm Z140	400	300	50	0,60
98415	R PIYCG45 400 315 315 0,6 mm Z140	400	315	50	0,60
98416	R PIYCG45 400 355 355 0,6 mm Z140	400	355	50	0,60
98417	R PIYCG45 400 400 400 0,6 mm Z140	400	400	50	0,60
98418	R PIYCG45 450 200 200 0,6 mm Z140	450	200	50	0,60
98419	R PIYCG45 450 250 250 0,6 mm Z140	450	250	50	0,60
98420	R PIYCG45 450 300 300 0,6 mm Z140	450	300	50	0,60
98421	R PIYCG45 450 315 315 0,6 mm Z140	450	315	50	0,60
98422	R PIYCG45 450 355 355 0,6 mm Z140	450	355	50	0,60
98423	R PIYCG45 450 400 400 0,6 mm Z140	450	400	50	0,60
98424	R PIYCG45 450 450 450 0,6 mm Z140	450	450	50	0,60
98425	R PIYCG45 500 200 200 0,6 mm Z140	500	200	50	0,60
98426	R PIYCG45 500 250 250 0,6 mm Z140	500	250	50	0,60
98427	R PIYCG45 500 300 300 0,6 mm Z140	500	300	50	0,60
98428	R PIYCG45 500 315 315 0,6 mm Z140	500	315	50	0,60
98429	R PIYCG45 500 355 355 0,6 mm Z140	500	355	50	0,60
98430	R PIYCG45 500 400 400 0,6 mm Z140	500	400	50	0,60
98431	R PIYCG45 500 450 450 0,6 mm Z140	500	450	50	0,60
98432	R PIYCG45 500 500 500 0,6 mm Z140	500	500	50	0,60
98433	R PIYCG45 560 250 250 0,6 mm Z140	560	250	50	0,60
98434	R PIYCG45 560 300 300 0,6 mm Z140	560	300	50	0,60
98435	R PIYCG45 560 315 315 0,6 mm Z140	560	315	50	0,60
98436	R PIYCG45 560 355 355 0,6 mm Z140	560	355	50	0,60
98437	R PIYCG45 560 400 400 0,6 mm Z140	560	400	50	0,60
98438	R PIYCG45 560 450 450 0,6 mm Z140	560	450	50	0,60
98439	R PIYCG45 560 500 500 0,6 mm Z140	560	500	50	0,60
98440	R PIYCG45 560 560 560 0,6 mm Z140	560	560	50	0,60
98441	R PIYCG45 600 315 315 0,6 mm Z140	600	315	50	0,60
98442	R PIYCG45 600 355 355 0,6 mm Z140	600	355	50	0,60
98443	R PIYCG45 600 400 400 0,6 mm Z140	600	400	50	0,60
98444	R PIYCG45 600 450 450 0,6 mm Z140	600	450	50	0,60
98445	R PIYCG45 600 500 500 0,6 mm Z140	600	500	50	0,60
98446	R PIYCG45 600 560 560 0,6 mm Z140	600	560	50	0,60

SPIRAL® SYSTEM ROUND VENTILATION DUCTS AND FITTINGS

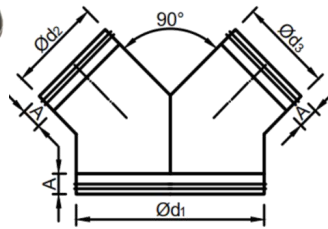
Y-Piece 45° R PIYCG45

Pieces type T; X; Y with gasket



Product Code Model

R PIYCG45 600 600 600 0,6 mm Z140



Explanation:

R PIYCG45 Type

600 Diameter d1 [mm]

600 Diameter d2 [mm]

600 Diameter d3 [mm]

0,6 mm Thickness δ [mm]

Z140 Class

SKU	TYPE	Diameter d1 [mm]	Diameter d2/d3 [mm]	A [mm]	Thickness δ [mm]
98447	R PIYCG45 600 600 600 0,6 mm Z140	600	600	50	0,60
98448	R PIYCG45 630 315 315 0,7 mm Z140	630	315	50	0,70
98449	R PIYCG45 630 355 355 0,7 mm Z140	630	355	50	0,70
98450	R PIYCG45 630 400 400 0,7 mm Z140	630	400	50	0,70
98451	R PIYCG45 630 450 450 0,7 mm Z140	630	450	50	0,70
98452	R PIYCG45 630 500 500 0,7 mm Z140	630	500	50	0,70
98453	R PIYCG45 630 560 560 0,7 mm Z140	630	560	50	0,70
98454	R PIYCG45 630 600 600 0,7 mm Z140	630	600	50	0,70
98455	R PIYCG45 630 630 630 0,7 mm Z140	630	630	50	0,70

Note

For the other sizes, please contact the commercial department.

SPIRAL® SYSTEM ROUND VENTILATION DUCTS AND FITTINGS

**Pieces type T; X; Y
with gasket**

Y-Piece Long 45° R PIYLCG45



Description:

The Type Y part is used in the ventilation systems for making bifurcations in flexible as well as rigid ductwork sections for the evacuation or introduction of air as evenly as possible.

Used Material:

Galvanized steel DX51, Class Z140.

Note:

The thickness of the galvanized sheet varies depending on the diameter.

Product Code Model

R PIYLCG45 125 125 125 0,5 mm Z140

Explanation:

R PIYLCG45

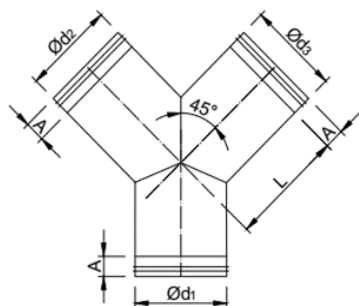
125 Diameter d1 [mm]

125 Diameter d2 [mm]

125 Diameter d3 [mm]

0,5 mm Thickness δ [mm]

Z140 Class



SKU	TYPE	Diameter d1 [mm]	Diameter d2/d3 [mm]	L [mm]	A [mm]	Thickness δ [mm]	
98511	R PIYLCG45 125 125 125 0,5 mm Z140	125	125	143	50	0,50	
98512	R PIYLCG45 160 160 160 0,5 mm Z140	160	160	160	50	0,50	
98513	R PIYLCG45 200 160 160 0,5 mm Z140	200	160	160	50	0,50	
98514	R PIYLCG45 200 200 200 0,5 mm Z140	200	200	180	50	0,50	
98515	R PIYLCG45 250 200 200 0,5 mm Z140	250	200	180	50	0,50	
98516	R PIYLCG45 250 250 250 0,5 mm Z140	250	250	205	50	0,50	
98517	R PIYLCG45 300 250 250 0,6 mm Z140	300	250	205	50	0,60	
98518	R PIYLCG45 300 300 300 0,6 mm Z140	300	300	230	50	0,60	
98519	R PIYLCG45 315 250 250 0,6 mm Z140	315	250	210	50	0,60	
98520	R PIYLCG45 315 300 300 0,6 mm Z140	315	300	230	50	0,60	
98521	R PIYLCG45 315 315 315 0,6 mm Z140	315	315	238	50	0,60	
98522	R PIYLCG45 355 300 300 0,6 mm Z140	355	300	230	50	0,60	
98523	R PIYLCG45 355 315 315 0,6 mm Z140	355	315	240	50	0,60	
98524	R PIYLCG45 355 355 355 0,6 mm Z140	355	355	258	50	0,60	
98525	R PIYLCG45 400 300 300 0,6 mm Z140	400	300	250	50	0,60	
98526	R PIYLCG45 400 315 315 0,6 mm Z140	400	315	250	50	0,60	
98527	R PIYLCG45 400 355 355 0,6 mm Z140	400	355	260	50	0,60	
98528	R PIYLCG45 400 400 400 0,6 mm Z140	400	400	280	50	0,60	
98529	R PIYLCG45 450 355 355 0,6 mm Z140	450	355	280	50	0,60	
98530	R PIYLCG45 450 400 400 0,6 mm Z140	450	400	280	50	0,60	
98531	R PIYLCG45 450 450 450 0,6 mm Z140	450	450	305	50	0,60	
98532	R PIYLCG45 500 355 355 0,6 mm Z140	500	355	310	50	0,60	
98533	R PIYLCG45 500 400 400 0,6 mm Z140	500	400	310	50	0,60	
98534	R PIYLCG45 500 450 450 0,6 mm Z140	500	450	310	50	0,60	
98535	R PIYLCG45 500 500 500 0,6 mm Z140	500	500	330	50	0,60	
98536	R PIYLCG45 560 400 400 0,6 mm Z140	560	400	350	50	0,60	

Note

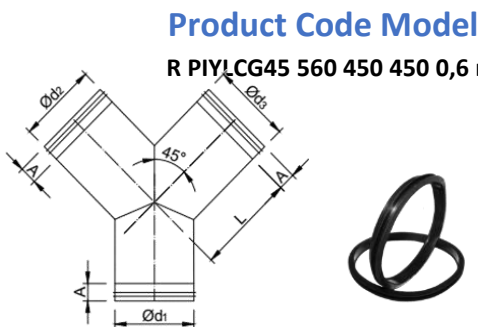
For the other sizes, please contact the commercial department.



SPIRAL® SYSTEM ROUND VENTILATION DUCTS AND FITTINGS

**Pieces type T; X; Y
with gasket**

Y-Piece Long 45° R PIYLCG45



Product Code Model

R PIYLCG45 560 450 450 0,6 mm Z140

Explanation:

R PIYLCG45

560 Diameter d1 [mm]

450 Diameter d2 [mm]

450 Diameter d3 [mm]

0,6 mm Thickness δ [mm]

Z140 Class



SKU	TYPE	Diameter d1 [mm]	Diameter d2/d3 [mm]	L [mm]	A [mm]	Thickness δ [mm]	
98537	R PIYLCG45 560 450 450 0,6 mm Z140	560	450	350	50	0,60	
98538	R PIYLCG45 560 500 500 0,6 mm Z140	560	500	350	50	0,60	
98539	R PIYLCG45 560 560 560 0,6 mm Z140	560	560	360	50	0,60	
98540	R PIYLCG45 600 450 450 0,6 mm Z140	600	450	370	50	0,60	
98541	R PIYLCG45 600 500 500 0,6 mm Z140	600	500	370	50	0,60	
98542	R PIYLCG45 600 560 560 0,6 mm Z140	600	560	370	50	0,60	
98543	R PIYLCG45 600 600 600 0,6 mm Z140	600	600	380	50	0,60	
98544	R PIYLCG45 630 450 450 0,7 mm Z140	630	450	400	50	0,70	
98545	R PIYLCG45 630 500 500 0,7 mm Z140	630	500	400	50	0,70	
98546	R PIYLCG45 630 560 560 0,7 mm Z140	630	560	400	50	0,70	
98547	R PIYLCG45 630 600 600 0,7 mm Z140	630	600	400	50	0,70	
98548	R PIYLCG45 630 630 630 0,7 mm Z140	630	630	400	50	0,70	
98549	R PIYLCG45 710 560 560 0,7 mm Z140	710	560	450	50	0,70	
98550	R PIYLCG45 710 600 600 0,7 mm Z140	710	600	450	50	0,70	
98551	R PIYLCG45 710 630 630 0,7 mm Z140	710	630	450	50	0,70	
98552	R PIYLCG45 710 710 710 0,7 mm Z140	710	710	450	50	0,70	
98553	R PIYLCG45 800 600 600 0,7 mm Z140	800	600	500	50	0,70	
98554	R PIYLCG45 800 630 630 0,7 mm Z140	800	630	500	50	0,70	
98555	R PIYLCG45 800 710 710 0,7 mm Z140	800	710	500	50	0,70	
98556	R PIYLCG45 800 800 800 0,7 mm Z140	800	800	500	50	0,70	
98557	R PIYLCG45 900 710 710 0,8 mm Z140	900	710	550	50	0,80	
98558	R PIYLCG45 900 800 800 0,8 mm Z140	900	800	550	50	0,80	
98559	R PIYLCG45 900 900 900 0,8 mm Z140	900	900	550	50	0,80	
98560	R PIYLCG45 1000 710 710 0,8 mm Z140	1000	710	600	50	0,80	
98561	R PIYLCG45 1000 800 800 0,8 mm Z140	1000	800	600	50	0,80	
98562	R PIYLCG45 1000 900 900 0,8 mm Z140	1000	900	600	50	0,80	

Note

For the other sizes, please contact the commercial department.



SPIRAL® SYSTEM ROUND VENTILATION DUCTS AND FITTINGS

**Pieces type T; X; Y
with gasket**

Y-Piece R PIPCG



Description:

The Y-piece is used in ventilation systems for making bifurcations in flexible as well as rigid ductwork sections for the evacuation or introduction of air as evenly as possible.

Used Material:

Galvanized steel DX51, Class Z140.

Note:

The thickness of the galvanized sheet varies depending on the diameter.

Product Code Model

R PIPCG 125 125 0,5 mm Z140

Explanation:

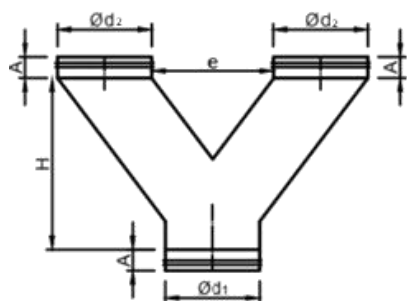
R PIPCG Type

125 Diameter d1 [mm]

125 Diameter d2 [mm]

0,5 mm Thickness δ [mm]

Z140 Class



SKU	TYPE	Diameter d1 [mm]	Diameter d2 [mm]	A [mm]	H [mm]	e [mm]	Thickness δ [mm]	
98634	R PIPCG 125 125 0,5 mm Z140	125	125	50	220	150	0,50	
98635	R PIPCG 160 125 0,5 mm Z140	160	125	50	220	180	0,50	
98636	R PIPCG 160 160 0,5 mm Z140	160	160	50	260	180	0,50	
98637	R PIPCG 200 125 0,5 mm Z140	200	125	50	210	200	0,50	
98638	R PIPCG 200 160 0,5 mm Z140	200	160	50	260	200	0,50	
98639	R PIPCG 200 200 0,5 mm Z140	200	200	50	310	200	0,50	
98640	R PIPCG 250 125 0,5 mm Z140	250	125	50	220	260	0,50	
98641	R PIPCG 250 160 0,5 mm Z140	250	160	50	280	260	0,50	
98642	R PIPCG 250 200 0,5 mm Z140	250	200	50	350	260	0,50	
98643	R PIPCG 250 250 0,5 mm Z140	250	250	50	400	260	0,50	
98644	R PIPCG 300 125 0,6 mm Z140	300	125	50	210	280	0,60	
98645	R PIPCG 300 160 0,6 mm Z140	300	160	50	270	280	0,60	
98646	R PIPCG 300 200 0,6 mm Z140	300	200	50	340	280	0,60	
98647	R PIPCG 300 250 0,6 mm Z140	300	250	50	420	280	0,60	
98648	R PIPCG 300 300 0,6 mm Z140	300	300	50	480	280	0,60	
98649	R PIPCG 315 160 0,6 mm Z140	315	160	50	270	310	0,60	
98650	R PIPCG 315 200 0,6 mm Z140	315	200	50	340	310	0,60	
98651	R PIPCG 315 250 0,6 mm Z140	315	250	50	420	310	0,60	
98652	R PIPCG 315 300 0,6 mm Z140	315	300	50	480	310	0,60	
98653	R PIPCG 315 315 0,6 mm Z140	315	315	50	500	310	0,60	
98654	R PIPCG 355 160 0,6 mm Z140	355	160	50	270	350	0,60	
98655	R PIPCG 355 200 0,6 mm Z140	355	200	50	340	350	0,60	
98656	R PIPCG 355 250 0,6 mm Z140	355	250	50	420	350	0,60	
98657	R PIPCG 355 300 0,6 mm Z140	355	300	50	500	350	0,60	
98658	R PIPCG 355 315 0,6 mm Z140	355	315	50	500	350	0,60	
98659	R PIPCG 355 355 0,6 mm Z140	355	355	50	550	350	0,60	

Note

For the other sizes, please contact the commercial department.



SPIRAL® SYSTEM ROUND VENTILATION DUCTS AND FITTINGS

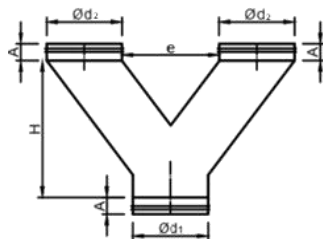
Pieces type T; X; Y with gasket

Y-Piece R PIPCG



Product Code Model

R PIPCG 400 160 0,6 mm Z140



Explanation:

R PIPCG Type

400 Diameter d1 [mm]

160 Diameter d2 [mm]

0,6 mm Thickness δ [mm]

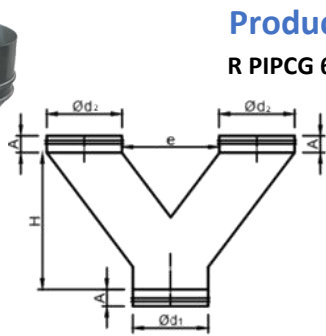
Z140 Class

SKU	TYPE	Diameter d1 [mm]	Diameter d2 [mm]	A [mm]	H [mm]	e [mm]	Thickness δ [mm]	
98660	R PIPCG 400 160 0,6 mm Z140	400	160	50	280	450	0,60	
98661	R PIPCG 400 200 0,6 mm Z140	400	200	50	380	450	0,60	
98662	R PIPCG 400 250 0,6 mm Z140	400	250	50	470	450	0,60	
98663	R PIPCG 400 300 0,6 mm Z140	400	300	50	550	450	0,60	
98664	R PIPCG 400 315 0,6 mm Z140	400	315	50	560	450	0,60	
98665	R PIPCG 400 355 0,6 mm Z140	400	355	50	650	450	0,60	
98666	R PIPCG 400 400 0,6 mm Z140	400	400	50	700	450	0,60	
98667	R PIPCG 450 200 0,6 mm Z140	450	200	50	430	550	0,60	
98668	R PIPCG 450 250 0,6 mm Z140	450	250	50	510	550	0,60	
98669	R PIPCG 450 300 0,6 mm Z140	450	300	50	600	550	0,60	
98670	R PIPCG 450 315 0,6 mm Z140	450	315	50	630	550	0,60	
98671	R PIPCG 450 355 0,6 mm Z140	450	355	50	700	550	0,60	
98672	R PIPCG 450 400 0,6 mm Z140	450	400	50	770	550	0,60	
98673	R PIPCG 450 450 0,6 mm Z140	450	450	50	860	550	0,60	
98674	R PIPCG 500 200 0,7 mm Z140	500	200	50	470	650	0,70	
98675	R PIPCG 500 250 0,7 mm Z140	500	250	50	560	650	0,70	
98676	R PIPCG 500 300 0,7 mm Z140	500	300	50	640	650	0,70	
98677	R PIPCG 500 315 0,7 mm Z140	500	315	50	670	650	0,70	
98678	R PIPCG 500 355 0,7 mm Z140	500	355	50	740	650	0,70	
98679	R PIPCG 500 400 0,7 mm Z140	500	400	50	820	650	0,70	
98680	R PIPCG 500 450 0,7 mm Z140	500	450	50	900	650	0,70	
98681	R PIPCG 500 500 0,7 mm Z140	500	500	50	990	650	0,70	
98682	R PIPCG 560 250 0,7 mm Z140	560	250	50	590	750	0,70	
98683	R PIPCG 560 300 0,7 mm Z140	560	300	50	680	750	0,70	
98684	R PIPCG 560 315 0,7 mm Z140	560	315	50	700	750	0,70	
98685	R PIPCG 560 355 0,7 mm Z140	560	355	50	770	750	0,70	
98686	R PIPCG 560 400 0,7 mm Z140	560	400	50	850	750	0,70	
98687	R PIPCG 560 450 0,7 mm Z140	560	450	50	940	750	0,70	
98688	R PIPCG 560 500 0,7 mm Z140	560	500	50	1030	750	0,70	
98689	R PIPCG 560 560 0,7 mm Z140	560	560	50	1130	750	0,70	
98690	R PIPCG 600 315 0,7 mm Z140	600	315	50	760	850	0,70	
98691	R PIPCG 600 355 0,7 mm Z140	600	355	50	830	850	0,70	
98692	R PIPCG 600 400 0,7 mm Z140	600	400	50	900	850	0,70	
98693	R PIPCG 600 450 0,7 mm Z140	600	450	50	990	850	0,70	
98694	R PIPCG 600 500 0,7 mm Z140	600	500	50	1080	850	0,70	
98695	R PIPCG 600 560 0,7 mm Z140	600	560	50	1180	850	0,70	

SPIRAL® SYSTEM ROUND VENTILATION DUCTS AND FITTINGS

Pieces type T; X; Y with gasket

Y-Piece R PIPCG



Product Code Model

R PIPCG 600 600 0,7 mm Z140



Explanation:

R PIPCG Type

600 Diameter d1 [mm]

600 Diameter d2 [mm]

0,7 mm Thickness δ [mm]

Z140 Class

SKU	TYPE	Diameter d1 [mm]	Diameter d2 [mm]	A [mm]	H [mm]	e [mm]	Thickness δ [mm]	
98696	R PIPCG 600 600 0,7 mm Z140	600	600	50	1250	850	0,70	
98697	R PIPCG 630 315 0,7 mm Z140	630	315	50	770	900	0,70	
98698	R PIPCG 630 355 0,7 mm Z140	630	355	50	840	900	0,70	
98699	R PIPCG 630 400 0,7 mm Z140	630	400	50	920	900	0,70	
98700	R PIPCG 630 450 0,7 mm Z140	630	450	50	1010	900	0,70	
98701	R PIPCG 630 500 0,7 mm Z140	630	500	50	1090	900	0,70	
98702	R PIPCG 630 560 0,7 mm Z140	630	560	50	1200	900	0,70	
98703	R PIPCG 630 600 0,7 mm Z140	630	600	50	1270	900	0,70	
98704	R PIPCG 630 630 0,7 mm Z140	630	630	50	1320	900	0,70	

Note

For the other sizes, please contact the commercial department.



SPIRAL® SYSTEM ROUND VENTILATION DUCTS AND FITTINGS

**Pieces type T; X; Y
with gasket**

T-piece 90° R TECG90



Description:

The Type T tee with Type SA branching is used for making 90° branching in both the insertion systems, and exhaust systems.

Used Material:

Galvanized steel DX51, Class Z140.

Note:

The thickness of the galvanized sheet varies depending on the diameter.

Product Code Model

R TECG90 125 125 0,5 mm Z140

Explanation:

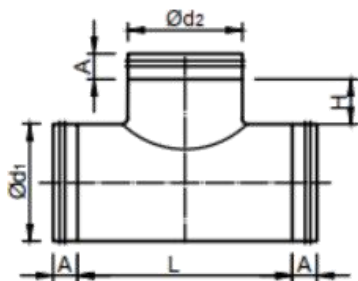
R TECG90 Type

125 Diameter d1 [mm]

125 Diameter d2 [mm]

0,5 mm Thickness δ [mm]

Z140 Class



SKU	TYPE	Diameter d1 [mm]	Diameter d2 [mm]	L [mm]	H [mm]	A [mm]	Thickness δ [mm]	
98845	R TECG90 125 125 0,5 mm Z140	125	125	185	30	50	0,50	
98846	R TECG90 160 125 0,5 mm Z140	160	125	185	30	50	0,50	
98847	R TECG90 160 160 0,5 mm Z140	160	160	220	30	50	0,50	
98848	R TECG90 200 125 0,5 mm Z140	200	125	185	30	50	0,50	
98849	R TECG90 200 160 0,5 mm Z140	200	160	220	30	50	0,50	
98850	R TECG90 200 200 0,5 mm Z140	200	200	260	30	50	0,50	
98851	R TECG90 250 125 0,5 mm Z140	250	125	185	30	50	0,50	
98852	R TECG90 250 160 0,5 mm Z140	250	160	220	30	50	0,50	
98853	R TECG90 250 200 0,5 mm Z140	250	200	260	30	50	0,50	
98854	R TECG90 250 250 0,5 mm Z140	250	250	310	30	50	0,50	
98855	R TECG90 300 125 0,6 mm Z140	300	125	185	30	50	0,60	
98856	R TECG90 300 160 0,6 mm Z140	300	160	220	30	50	0,60	
98857	R TECG90 300 200 0,6 mm Z140	300	200	260	30	50	0,60	
98858	R TECG90 300 250 0,6 mm Z140	300	250	310	30	50	0,60	
98859	R TECG90 300 300 0,6 mm Z140	300	300	360	30	50	0,60	
98860	R TECG90 315 125 0,6 mm Z140	315	125	185	30	50	0,60	
98861	R TECG90 315 160 0,6 mm Z140	315	160	220	30	50	0,60	
98862	R TECG90 315 200 0,6 mm Z140	315	200	260	30	50	0,60	
98863	R TECG90 315 250 0,6 mm Z140	315	250	310	30	50	0,60	
98864	R TECG90 315 300 0,6 mm Z140	315	300	360	30	50	0,60	
98865	R TECG90 315 315 0,6 mm Z140	315	315	375	30	50	0,60	
98866	R TECG90 355 125 0,6 mm Z140	355	125	185	30	50	0,60	
98867	R TECG90 355 160 0,6 mm Z140	355	160	220	30	50	0,60	
98868	R TECG90 355 200 0,6 mm Z140	355	200	260	30	50	0,60	
98869	R TECG90 355 250 0,6 mm Z140	355	250	310	30	50	0,60	
98870	R TECG90 355 300 0,6 mm Z140	355	300	360	30	50	0,60	

Note

For the other sizes, please contact the commercial department.



SPIRAL® SYSTEM ROUND VENTILATION DUCTS AND FITTINGS

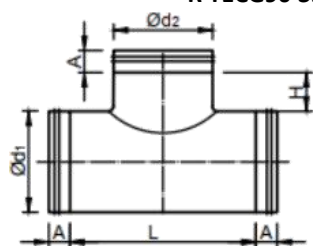
T-piece 90° R TEG90

**Pieces type T; X; Y
with gasket**



Product Code Model

R TEG90 355 315 0,6 mm Z140



Explanation:

- R TEG90** Type
- 355** Diameter d1 [mm]
- 315** Diameter d2 [mm]
- 0,6 mm** Thickness δ [mm]
- Z140** Class

SKU	TYPE	Diameter d1 [mm]	Diameter d2 [mm]	L [mm]	H [mm]	A [mm]	Thickness δ [mm]	
98871	R TEG90 355 315 0,6 mm Z140	355	315	375	30	50	0,60	
98872	R TEG90 355 355 0,6 mm Z140	355	355	415	30	50	0,60	
98873	R TEG90 400 125 0,6 mm Z140	400	125	185	30	50	0,60	
98874	R TEG90 400 160 0,6 mm Z140	400	160	220	30	50	0,60	
98875	R TEG90 400 200 0,6 mm Z140	400	200	260	30	50	0,60	
98876	R TEG90 400 250 0,6 mm Z140	400	250	310	30	50	0,60	
98877	R TEG90 400 300 0,6 mm Z140	400	300	360	30	50	0,60	
98878	R TEG90 400 315 0,6 mm Z140	400	315	375	30	50	0,60	
98879	R TEG90 400 355 0,6 mm Z140	400	355	415	30	50	0,60	
98880	R TEG90 400 400 0,6 mm Z140	400	400	460	30	50	0,60	
98881	R TEG90 450 125 0,6 mm Z140	450	125	185	30	50	0,60	
98882	R TEG90 450 160 0,6 mm Z140	450	160	220	30	50	0,60	
98883	R TEG90 450 200 0,6 mm Z140	450	200	260	30	50	0,60	
98884	R TEG90 450 250 0,6 mm Z140	450	250	310	30	50	0,60	
98885	R TEG90 450 300 0,6 mm Z140	450	300	360	30	50	0,60	
98886	R TEG90 450 315 0,6 mm Z140	450	315	375	30	50	0,60	
98887	R TEG90 450 355 0,6 mm Z140	450	355	415	30	50	0,60	
98888	R TEG90 450 400 0,6 mm Z140	450	400	460	30	50	0,60	
98889	R TEG90 450 450 0,6 mm Z140	450	450	510	30	50	0,60	
98890	R TEG90 500 125 0,7 mm Z140	500	125	185	30	50	0,70	
98891	R TEG90 500 160 0,7 mm Z140	500	160	220	30	50	0,70	
98892	R TEG90 500 200 0,7 mm Z140	500	200	260	30	50	0,70	
98893	R TEG90 500 250 0,7 mm Z140	500	250	310	30	50	0,70	
98894	R TEG90 500 300 0,7 mm Z140	500	300	360	30	50	0,70	
98895	R TEG90 500 315 0,7 mm Z140	500	315	375	30	50	0,70	
98896	R TEG90 500 355 0,7 mm Z140	500	355	415	30	50	0,70	
98897	R TEG90 500 400 0,7 mm Z140	500	400	460	30	50	0,70	
98898	R TEG90 500 450 0,7 mm Z140	500	450	510	30	50	0,70	
98899	R TEG90 500 500 0,7 mm Z140	500	500	560	30	50	0,70	
98900	R TEG90 560 160 0,7 mm Z140	560	160	220	30	50	0,70	
98901	R TEG90 560 200 0,7 mm Z140	560	200	260	30	50	0,70	
98902	R TEG90 560 250 0,7 mm Z140	560	250	310	30	50	0,70	
98903	R TEG90 560 300 0,7 mm Z140	560	300	360	30	50	0,70	
98904	R TEG90 560 315 0,7 mm Z140	560	315	375	30	50	0,70	
98905	R TEG90 560 355 0,7 mm Z140	560	355	415	30	50	0,70	
98906	R TEG90 560 400 0,7 mm Z140	560	400	460	30	50	0,70	



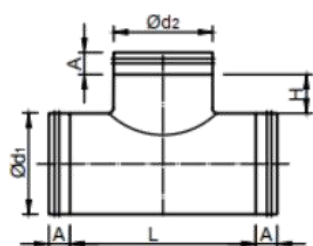
SPIRAL® SYSTEM ROUND VENTILATION DUCTS AND FITTINGS

T-piece 90° R TEG90



Product Code Model

R TEG90 560 450 0,7 mm Z140



Pieces type T; X; Y with gasket

Explanation:

R TEG90 Type

560 Diameter d1 [mm]

450 Diameter d2 [mm]

0,7 mm Thickness δ [mm]

Z140 Class

SKU	TYPE	Diameter d1 [mm]	Diameter d2 [mm]	L [mm]	H [mm]	A [mm]	Thickness δ [mm]	
98907	R TEG90 560 450 0,7 mm Z140	560	450	510	30	50	0,70	
98908	R TEG90 560 500 0,7 mm Z140	560	500	560	30	50	0,70	
98909	R TEG90 560 560 0,7 mm Z140	560	560	620	30	50	0,70	
98910	R TEG90 600 250 0,7 mm Z140	600	250	310	30	50	0,70	
98911	R TEG90 600 300 0,7 mm Z140	600	300	360	30	50	0,70	
98912	R TEG90 600 315 0,7 mm Z140	600	315	375	30	50	0,70	
98913	R TEG90 600 355 0,7 mm Z140	600	355	415	30	50	0,70	
98914	R TEG90 600 400 0,7 mm Z140	600	400	460	30	50	0,70	
98915	R TEG90 600 450 0,7 mm Z140	600	450	510	30	50	0,70	
98916	R TEG90 600 500 0,7 mm Z140	600	500	560	30	50	0,70	
98917	R TEG90 600 560 0,7 mm Z140	600	560	620	30	50	0,70	
98918	R TEG90 600 600 0,7 mm Z140	600	600	660	30	50	0,70	
98919	R TEG90 630 315 0,7 mm Z140	630	315	375	30	50	0,70	
98920	R TEG90 630 355 0,7 mm Z140	630	355	415	30	50	0,70	
98921	R TEG90 630 400 0,7 mm Z140	630	400	460	30	50	0,70	
98922	R TEG90 630 450 0,7 mm Z140	630	450	510	30	50	0,70	
98923	R TEG90 630 500 0,7 mm Z140	630	500	560	30	50	0,70	
98924	R TEG90 630 560 0,7 mm Z140	630	560	620	30	50	0,70	
98925	R TEG90 630 600 0,7 mm Z140	630	600	660	30	50	0,70	
98926	R TEG90 630 630 0,7 mm Z140	630	630	690	30	50	0,70	
98927	R TEG90 710 315 0,7 mm Z140	710	315	375	30	50	0,70	
98928	R TEG90 710 355 0,7 mm Z140	710	355	415	30	50	0,70	
98929	R TEG90 710 400 0,7 mm Z140	710	400	460	30	50	0,70	
98930	R TEG90 710 450 0,7 mm Z140	710	450	510	30	50	0,70	
98931	R TEG90 710 500 0,7 mm Z140	710	500	560	30	50	0,70	
98932	R TEG90 710 560 0,7 mm Z140	710	560	620	30	50	0,70	
98933	R TEG90 710 600 0,7 mm Z140	710	600	660	30	50	0,70	
98934	R TEG90 710 630 0,7 mm Z140	710	630	690	30	50	0,70	
98935	R TEG90 710 710 0,7 mm Z140	710	710	770	30	50	0,70	
98936	R TEG90 800 315 0,8 mm Z140	800	315	375	30	50	0,80	
98937	R TEG90 800 355 0,8 mm Z140	800	355	415	30	50	0,80	
98938	R TEG90 800 400 0,8 mm Z140	800	400	460	30	50	0,80	
98939	R TEG90 800 450 0,8 mm Z140	800	450	510	30	50	0,80	
98940	R TEG90 800 500 0,8 mm Z140	800	500	560	30	50	0,80	
98941	R TEG90 800 560 0,8 mm Z140	800	560	620	30	50	0,80	
98942	R TEG90 800 600 0,8 mm Z140	800	600	660	30	50	0,80	

Note For the other sizes, please contact the commercial department.



SPIRAL® SYSTEM ROUND VENTILATION DUCTS AND FITTINGS

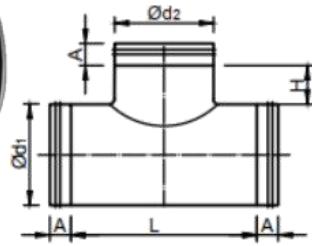
T-piece 90° R TEG90

**Pieces type T; X; Y
with gasket**



Product Code Model

R TEG90 800 630 0,8 mm Z140



Explanation:

R TEG90 Type

800 Diameter d1 [mm]

630 Diameter d2 [mm]

0,8 mm Thickness δ [mm]

Z140 Class

SKU	TYPE	Diameter d1 [mm]	Diameter d2 [mm]	L [mm]	H [mm]	A [mm]	Thickness δ [mm]	
98943	R TEG90 800 630 0,8 mm Z140	800	630	690	30	50	0,80	
98944	R TEG90 800 710 0,8 mm Z140	800	710	770	30	50	0,80	
98945	R TEG90 800 800 0,8 mm Z140	800	800	860	30	50	0,80	
98946	R TEG90 900 355 0,8 mm Z140	900	355	415	30	50	0,80	
98947	R TEG90 900 400 0,8 mm Z140	900	400	460	30	50	0,80	
98948	R TEG90 900 450 0,8 mm Z140	900	450	510	30	50	0,80	
98949	R TEG90 900 500 0,8 mm Z140	900	500	560	30	50	0,80	
98950	R TEG90 900 560 0,8 mm Z140	900	560	620	30	50	0,80	
98951	R TEG90 900 600 0,8 mm Z140	900	600	660	30	50	0,80	
98952	R TEG90 900 630 0,8 mm Z140	900	630	690	30	50	0,80	
98953	R TEG90 900 710 0,8 mm Z140	900	710	770	30	50	0,80	
98954	R TEG90 900 800 0,8 mm Z140	900	800	860	30	50	0,80	
98955	R TEG90 900 900 0,8 mm Z140	900	900	960	30	50	0,80	
98956	R TEG90 1000 400 0,8 mm Z140	1000	400	460	30	50	0,80	
98957	R TEG90 1000 450 0,8 mm Z140	1000	450	510	30	50	0,80	
98958	R TEG90 1000 500 0,8 mm Z140	1000	500	560	30	50	0,80	
98959	R TEG90 1000 560 0,8 mm Z140	1000	560	620	30	50	0,80	
98960	R TEG90 1000 600 0,8 mm Z140	1000	600	660	30	50	0,80	
98961	R TEG90 1000 630 0,8 mm Z140	1000	630	690	30	50	0,80	
98962	R TEG90 1000 710 0,8 mm Z140	1000	710	770	30	50	0,80	
98963	R TEG90 1000 800 0,8 mm Z140	1000	800	860	30	50	0,80	
98964	R TEG90 1000 900 0,8 mm Z140	1000	900	960	30	50	0,80	
98965	R TEG90 1000 1000 0,8 mm Z140	1000	1000	1060	30	50	0,80	

Note

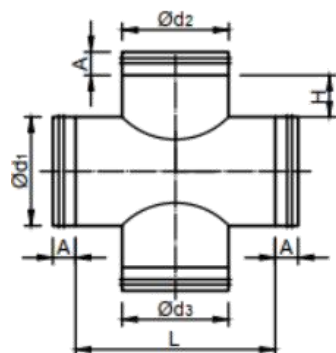
For the other sizes, please contact the commercial department.



SPIRAL® SYSTEM ROUND VENTILATION DUCTS AND FITTINGS

**Pieces type T; X; Y
with gasket**

X-piece R PIXCG



Description:

Type X parts are used in air conditioning and ventilation systems for making bifurcations in ductwork sections, both flexible and rigid, for the evacuation or introduction of as many of air.

Used Material:

Galvanized steel DX51, Class Z140.

Note:

The thickness of the galvanized sheet varies depending on the diameter.

Product Code Model

R PIXCG 125 125 125 0,5 mm Z140



A = 50 [mm]

Explanation:

R PIXCG Type

125 Diameter d1 [mm]

125 Diameter d2 [mm]

125 Diameter d3 [mm]

0,5 mm Thickness δ [mm]

Z140 Class

SKU	TYPE	Diameter d1 [mm]	Diameter d2/d3 [mm]	L [mm]	H [mm]	Thickness δ [mm]	
99106	R PIXCG 125 125 125 0,5 mm Z140	125	125	185	30	0,50	
99107	R PIXCG 160 125 125 0,5 mm Z140	160	125	185	30	0,50	
99108	R PIXCG 160 160 160 0,5 mm Z140	160	160	220	30	0,50	
99109	R PIXCG 200 125 125 0,5 mm Z140	200	125	185	30	0,50	
99110	R PIXCG 200 160 160 0,5 mm Z140	200	160	220	30	0,50	
99111	R PIXCG 200 200 200 0,5 mm Z140	200	200	260	30	0,50	
99112	R PIXCG 250 125 125 0,5 mm Z140	250	125	185	30	0,50	
99113	R PIXCG 250 160 160 0,5 mm Z140	250	160	220	30	0,50	
99114	R PIXCG 250 200 200 0,5 mm Z140	250	200	260	30	0,50	
99115	R PIXCG 250 250 250 0,5 mm Z140	250	250	310	30	0,50	
99116	R PIXCG 300 125 125 0,6 mm Z140	300	125	185	30	0,60	
99117	R PIXCG 300 160 160 0,6 mm Z140	300	160	220	30	0,60	
99118	R PIXCG 300 200 200 0,6 mm Z140	300	200	260	30	0,60	
99119	R PIXCG 300 250 250 0,6 mm Z140	300	250	310	30	0,60	
99120	R PIXCG 300 300 300 0,6 mm Z140	300	300	360	30	0,60	
99121	R PIXCG 315 125 125 0,6 mm Z140	315	125	185	30	0,60	
99122	R PIXCG 315 160 160 0,6 mm Z140	315	160	220	30	0,60	
99123	R PIXCG 315 200 200 0,6 mm Z140	315	200	260	30	0,60	
99124	R PIXCG 315 250 250 0,6 mm Z140	315	250	310	30	0,60	
99125	R PIXCG 315 300 300 0,6 mm Z140	315	300	360	30	0,60	
99126	R PIXCG 315 315 315 0,6 mm Z140	315	315	375	30	0,60	
99127	R PIXCG 355 125 125 0,6 mm Z140	355	125	185	30	0,60	
99128	R PIXCG 355 160 160 0,6 mm Z140	355	160	220	30	0,60	
99129	R PIXCG 355 200 200 0,6 mm Z140	355	200	260	30	0,60	
99130	R PIXCG 355 250 250 0,6 mm Z140	355	250	310	30	0,60	
99131	R PIXCG 355 300 300 0,6 mm Z140	355	300	360	30	0,60	

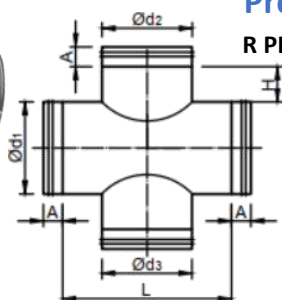
Note

For the other sizes, please contact the commercial department.



SPIRAL® SYSTEM ROUND VENTILATION DUCTS AND FITTINGS

X-piece R PIXCG



Product Code Model

R PIXCG 355 315 315 0,6 mm Z140

A = 50 [mm]



Pieces type T; X; Y with gasket

Explanation:

R PIXCG Type

355 Diameter d1 [mm]

315 Diameter d2 [mm]

315 Diameter d3 [mm]

0,6 mm Thickness δ [mm]

Z140 Class

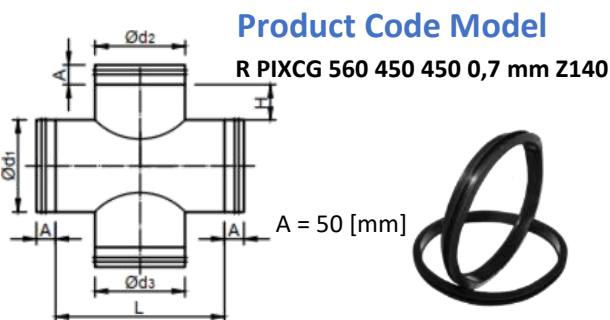
SKU	TYPE	Diameter d1 [mm]	Diameter d2/d3 [mm]	L [mm]	H [mm]	Thickness δ [mm]	
99132	R PIXCG 355 315 315 0,6 mm Z140	355	315	375	30	0,60	
99133	R PIXCG 355 355 355 0,6 mm Z140	355	355	415	30	0,60	
99134	R PIXCG 400 125 125 0,6 mm Z140	400	125	185	30	0,60	
99135	R PIXCG 400 160 160 0,6 mm Z140	400	160	220	30	0,60	
99136	R PIXCG 400 200 200 0,6 mm Z140	400	200	260	30	0,60	
99137	R PIXCG 400 250 250 0,6 mm Z140	400	250	310	30	0,60	
99138	R PIXCG 400 300 300 0,6 mm Z140	400	300	360	30	0,60	
99139	R PIXCG 400 315 315 0,6 mm Z140	400	315	375	30	0,60	
99140	R PIXCG 400 355 355 0,6 mm Z140	400	355	415	30	0,60	
99141	R PIXCG 400 400 400 0,6 mm Z140	400	400	460	30	0,60	
99142	R PIXCG 450 125 125 0,6 mm Z140	450	125	185	30	0,60	
99143	R PIXCG 450 160 160 0,6 mm Z140	450	160	220	30	0,60	
99144	R PIXCG 450 200 200 0,6 mm Z140	450	200	260	30	0,60	
99145	R PIXCG 450 250 250 0,6 mm Z140	450	250	310	30	0,60	
99146	R PIXCG 450 300 300 0,6 mm Z140	450	300	360	30	0,60	
99147	R PIXCG 450 315 315 0,6 mm Z140	450	315	375	30	0,60	
99148	R PIXCG 450 355 355 0,6 mm Z140	450	355	415	30	0,60	
99149	R PIXCG 450 400 400 0,6 mm Z140	450	400	460	30	0,60	
99150	R PIXCG 450 450 450 0,6 mm Z140	450	450	510	30	0,60	
99151	R PIXCG 500 125 125 0,7 mm Z140	500	125	185	30	0,70	
99152	R PIXCG 500 160 160 0,7 mm Z140	500	160	220	30	0,70	
99153	R PIXCG 500 200 200 0,7 mm Z140	500	200	260	30	0,70	
99154	R PIXCG 500 250 250 0,7 mm Z140	500	250	310	30	0,70	
99155	R PIXCG 500 300 300 0,7 mm Z140	500	300	360	30	0,70	
99156	R PIXCG 500 315 315 0,7 mm Z140	500	315	375	30	0,70	
99157	R PIXCG 500 355 355 0,7 mm Z140	500	355	415	30	0,70	
99158	R PIXCG 500 400 400 0,7 mm Z140	500	400	460	30	0,70	
99159	R PIXCG 500 450 450 0,7 mm Z140	500	450	510	30	0,70	
99160	R PIXCG 500 500 500 0,7 mm Z140	500	500	560	30	0,70	
99161	R PIXCG 560 160 160 0,7 mm Z140	560	160	220	30	0,70	
99162	R PIXCG 560 200 200 0,7 mm Z140	560	200	260	30	0,70	
99163	R PIXCG 560 250 250 0,7 mm Z140	560	250	310	30	0,70	
99164	R PIXCG 560 300 300 0,7 mm Z140	560	300	360	30	0,70	
99165	R PIXCG 560 315 315 0,7 mm Z140	560	315	375	30	0,70	
99166	R PIXCG 560 355 355 0,7 mm Z140	560	355	415	30	0,70	
99167	R PIXCG 560 400 400 0,7 mm Z140	560	400	460	30	0,70	

Note For the other sizes, please contact the commercial department.



SPIRAL® SYSTEM ROUND VENTILATION DUCTS AND FITTINGS

X-piece R PIXCG



Pieces type T; X; Y with gasket

Explanation:

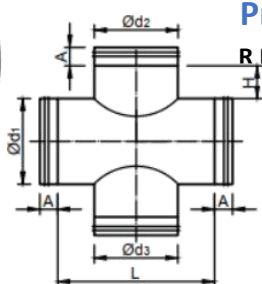
- R PIXCG** Type
- 560** Diameter d1 [mm]
- 450** Diameter d2 [mm]
- 450** Diameter d3 [mm]
- 0,7 mm** Thickness δ [mm]
- Z140** Class

SKU	TYPE	Diameter d1 [mm]	Diameter d2/d3 [mm]	L [mm]	H [mm]	Thickness δ [mm]	
99168	R PIXCG 560 450 450 0,7 mm Z140	560	450	510	30	0,70	
99169	R PIXCG 560 500 500 0,7 mm Z140	560	500	560	30	0,70	
99170	R PIXCG 560 560 560 0,7 mm Z140	560	560	620	30	0,70	
99171	R PIXCG 600 250 250 0,7 mm Z140	600	250	310	30	0,70	
99172	R PIXCG 600 300 300 0,7 mm Z140	600	300	360	30	0,70	
99173	R PIXCG 600 315 315 0,7 mm Z140	600	315	375	30	0,70	
99174	R PIXCG 600 355 355 0,7 mm Z140	600	355	415	30	0,70	
99175	R PIXCG 600 400 400 0,7 mm Z140	600	400	460	30	0,70	
99176	R PIXCG 600 450 450 0,7 mm Z140	600	450	510	30	0,70	
99177	R PIXCG 600 500 500 0,7 mm Z140	600	500	560	30	0,70	
99178	R PIXCG 600 560 560 0,7 mm Z140	600	560	620	30	0,70	
99179	R PIXCG 600 600 600 0,7 mm Z140	600	600	660	30	0,70	
99180	R PIXCG 630 315 315 0,7 mm Z140	630	315	375	30	0,70	
99181	R PIXCG 630 355 355 0,7 mm Z140	630	355	415	30	0,70	
99182	R PIXCG 630 400 400 0,7 mm Z140	630	400	460	30	0,70	
99183	R PIXCG 630 450 450 0,7 mm Z140	630	450	510	30	0,70	
99184	R PIXCG 630 500 500 0,7 mm Z140	630	500	560	30	0,70	
99185	R PIXCG 630 560 560 0,7 mm Z140	630	560	620	30	0,70	
99186	R PIXCG 630 600 600 0,7 mm Z140	630	600	660	30	0,70	
99187	R PIXCG 630 630 630 0,7 mm Z140	630	630	690	30	0,70	
99188	R PIXCG 710 315 315 0,7 mm Z140	710	315	375	30	0,70	
99189	R PIXCG 710 355 355 0,7 mm Z140	710	355	415	30	0,70	
99190	R PIXCG 710 400 400 0,7 mm Z140	710	400	460	30	0,70	
99191	R PIXCG 710 450 450 0,7 mm Z140	710	450	510	30	0,70	
99192	R PIXCG 710 500 500 0,7 mm Z140	710	500	560	30	0,70	
99193	R PIXCG 710 560 560 0,7 mm Z140	710	560	620	30	0,70	
99194	R PIXCG 710 600 600 0,7 mm Z140	710	600	660	30	0,70	
99195	R PIXCG 710 630 630 0,7 mm Z140	710	630	690	30	0,70	
99196	R PIXCG 710 710 710 0,7 mm Z140	710	710	770	30	0,70	
99197	R PIXCG 800 315 315 0,7 mm Z140	800	315	375	30	0,70	
99198	R PIXCG 800 355 355 0,7 mm Z140	800	355	415	30	0,70	
99199	R PIXCG 800 400 400 0,7 mm Z140	800	400	460	30	0,70	
99200	R PIXCG 800 450 450 0,7 mm Z140	800	450	510	30	0,70	
99201	R PIXCG 800 500 500 0,7 mm Z140	800	500	560	30	0,70	
99202	R PIXCG 800 560 560 0,7 mm Z140	800	560	620	30	0,70	
99203	R PIXCG 800 600 600 0,7 mm Z140	800	600	660	30	0,70	

Note For the other sizes, please contact the commercial department.

SPIRAL®SYSTEM ROUND VENTILATION DUCTS AND FITTINGS

X-piece R PIXCG



Product Code Model

R PIXCG 800 630 630 0,7 mm Z140

A = 50 [mm]



Pieces type T; X; Y with gasket

Explanation:

R PIXCG Type

800 Diameter d1 [mm]

630 Diameter d2 [mm]

630 Diameter d3 [mm]

0,7 mm Thickness δ [mm]

Z140 Class

SKU	TYPE	Diameter d1 [mm]	Diameter d2/d3 [mm]	L [mm]	H [mm]	Thickness δ [mm]	
99204	R PIXCG 800 630 630 0,7 mm Z140	800	630	690	30	0,70	
99205	R PIXCG 800 710 710 0,7 mm Z140	800	710	770	30	0,70	
99206	R PIXCG 800 800 800 0,7 mm Z140	800	800	860	30	0,70	
99207	R PIXCG 900 355 355 0,7 mm Z140	900	355	415	30	0,70	
99208	R PIXCG 900 400 400 0,7 mm Z140	900	400	460	30	0,70	
99209	R PIXCG 900 450 450 0,7 mm Z140	900	450	510	30	0,70	
99210	R PIXCG 900 500 500 0,7 mm Z140	900	500	560	30	0,70	
99211	R PIXCG 900 560 560 0,7 mm Z140	900	560	620	30	0,70	
99212	R PIXCG 900 600 600 0,7 mm Z140	900	600	660	30	0,70	
99213	R PIXCG 900 630 630 0,7 mm Z140	900	630	690	30	0,70	
99214	R PIXCG 900 710 710 0,7 mm Z140	900	710	770	30	0,70	
99215	R PIXCG 900 800 800 0,7 mm Z140	900	800	860	30	0,70	
99216	R PIXCG 900 900 900 0,7 mm Z140	900	900	960	30	0,70	
99217	R PIXCG 1000 400 400 0,7 mm Z140	1000	400	460	30	0,70	
99218	R PIXCG 1000 450 450 0,7 mm Z140	1000	450	510	30	0,70	
99219	R PIXCG 1000 500 500 0,7 mm Z140	1000	500	560	30	0,70	
99220	R PIXCG 1000 560 560 0,7 mm Z140	1000	560	620	30	0,70	
99221	R PIXCG 1000 600 600 0,7 mm Z140	1000	600	660	30	0,70	
99222	R PIXCG 1000 630 630 0,7 mm Z140	1000	630	690	30	0,70	
99223	R PIXCG 1000 710 710 0,7 mm Z140	1000	710	770	30	0,70	
99224	R PIXCG 1000 800 800 0,7 mm Z140	1000	800	860	30	0,70	
99225	R PIXCG 1000 900 900 0,7 mm Z140	1000	900	960	30	0,70	
99226	R PIXCG 1000 1000 1000 0,7 mm Z140	1000	1000	1060	30	0,70	

Note

For the other sizes, please contact the commercial department.



SPIRAL®SYSTEM ROUND VENTILATION DUCTS AND FITTINGS

**Pieces type S
with gasket**

S-Piece R PICDSG



Description:

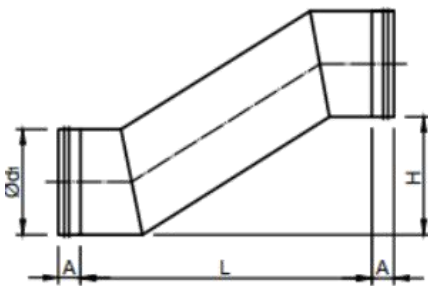
The Type S deflection piece is used for level differences and bypassing obstacles that may occur on the pipe route.

Used Material:

Galvanized steel DX51, Class Z140.

Note:

The thickness of the galvanized sheet varies depending on the diameter.



Product Code Model

R PICDSG 125 0,5 mm Z140

Explanation:

R PICDSG Type

125 Diameter d1 [mm]

0,5 mm Thickness δ [mm]

Z140 Class



SKU	TYPE	Diameter d1 [mm]	L [mm]	H [mm]	A [mm]	Thickness δ [mm]
99354	R PICDSG 125 0,5 mm Z140	125	235	125,0	50,00	0,50
99355	R PICDSG 160 0,5 mm Z140	160	285	160,0	50,00	0,50
99356	R PICDSG 200 0,5 mm Z140	200	345	200,0	50,00	0,50
99357	R PICDSG 250 0,5 mm Z140	250	415	250,0	50,00	0,50
99358	R PICDSG 300 0,6 mm Z140	300	485	300,0	50,00	0,60
99359	R PICDSG 315 0,6 mm Z140	315	505	315,0	50,00	0,60
99360	R PICDSG 355 0,6 mm Z140	355	560	355,0	50,00	0,60
99361	R PICDSG 400 0,6 mm Z140	400	625	400,0	50,00	0,60
99362	R PICDSG 450 0,6 mm Z140	450	695	450,0	50,00	0,60
99363	R PICDSG 500 0,6 mm Z140	500	765	500,0	50,00	0,60
99364	R PICDSG 560 0,6 mm Z140	560	850	560,0	50,00	0,60
99365	R PICDSG 600 0,6 mm Z140	600	910	600,0	50,00	0,60
99366	R PICDSG 630 0,7 mm Z140	630	950	630,0	50,00	0,70
99367	R PICDSG 710 0,7 mm Z140	710	1065	710,0	50,00	0,70
99368	R PICDSG 800 0,7 mm Z140	800	1190	800,0	50,00	0,70
99369	R PICDSG 900 0,8 mm Z140	900	1335	900,0	50,00	0,80
99370	R PICDSG 1000 0,8 mm Z140	1000	1475	1000,0	50,00	0,80

Note

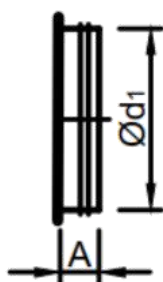
For the other sizes, please contact the commercial department.



SPIRAL® SYSTEM ROUND VENTILATION DUCTS AND FITTINGS

Coupling for SPIRAL ducts with gasket

End Cap R CIG



Description:

Interior cover for circular channel.
It is made of galvanized steel sheet.

Used Material:

Galvanized steel DX51, Class Z140.

Note:

The thickness of the galvanized sheet varies depending on the diameter.

Product Code Model

R CIG 125 0,5 mm Z140



Explanation:

R CIG Type
125 Diameter d1 [mm]
0,5 mm Thickness δ [mm]
Z140 Class

SKU	TYPE	Diameter d1 [mm]	A [mm]	Thickness δ [mm]				
99318	R CIG 125 0,5 mm Z140	125	50	0,50				
99319	R CIG 160 0,5 mm Z140	160	50	0,50				
99320	R CIG 200 0,5 mm Z140	200	50	0,50				
99321	R CIG 250 0,5 mm Z140	250	50	0,50				
99322	R CIG 300 0,6 mm Z140	300	50	0,60				
99323	R CIG 315 0,6 mm Z140	315	50	0,60				
99324	R CIG 355 0,6 mm Z140	355	50	0,60				
99325	R CIG 400 0,6 mm Z140	400	50	0,60				
99326	R CIG 450 0,6 mm Z140	450	50	0,60				
99327	R CIG 500 0,6 mm Z140	500	50	0,60				
99328	R CIG 560 0,6 mm Z140	560	50	0,60				
99329	R CIG 600 0,6 mm Z140	600	50	0,60				
99330	R CIG 630 0,7 mm Z140	630	50	0,70				
99331	R CIG 710 0,7 mm Z140	710	50	0,70				
99332	R CIG 800 0,8 mm Z140	800	50	0,80				
99333	R CIG 900 0,8 mm Z140	900	50	0,80				
99334	R CIG 1000 0,8 mm Z140	1000	50	0,80				

Note

For the other sizes, please contact the commercial department.



SPIRAL® SYSTEM ROUND VENTILATION DUCTS AND FITTINGS

Male couplings with gasket

Male couplings R NPCG



Description:

Male couplings can be used for connecting round fittings. The Installation method is identical for both gasketfitted or bare ends.

Used Material:

Galvanized steel DX51, Class Z140.

Note:

The thickness of the galvanized sheet varies depending on the diameter.

Product Code Model

R NPCG 125 0,5 mm Z140

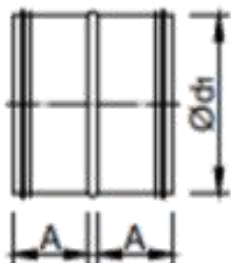
Explanation:

R NPCG Type

125 Diameter d1 [mm]

0,5 mm Thickness δ [mm]

Z140 Class



SKU	TYPE	Diameter d1 [mm]	A [mm]	Thickness δ [mm]				
99390	R NPCG 125 0,5 mm Z140	125	50	0,50				
99391	R NPCG 160 0,5 mm Z140	160	50	0,50				
99392	R NPCG 200 0,5 mm Z140	200	50	0,50				
99393	R NPCG 250 0,5 mm Z140	250	50	0,50				
99394	R NPCG 300 0,6 mm Z140	300	50	0,60				
99395	R NPCG 315 0,6 mm Z140	315	50	0,60				
99396	R NPCG 355 0,6 mm Z140	355	50	0,60				
99397	R NPCG 400 0,6 mm Z140	400	50	0,60				
99398	R NPCG 450 0,6 mm Z140	450	50	0,60				
99399	R NPCG 500 0,6 mm Z140	500	50	0,60				
99400	R NPCG 560 0,6 mm Z140	560	50	0,60				
99401	R NPCG 600 0,6 mm Z140	600	50	0,60				
99402	R NPCG 630 0,7 mm Z140	630	50	0,70				
99403	R NPCG 710 0,7 mm Z140	710	50	0,70				
99404	R NPCG 800 0,8 mm Z140	800	50	0,80				
99405	R NPCG 900 0,8 mm Z140	900	50	0,80				
99406	R NPCG 1000 0,8 mm Z140	1000	50	0,80				

Note

For the other sizes, please contact the commercial department.

SPIRAL® SYSTEM ROUND VENTILATION DUCTS AND FITTINGS

Male couplings with gasket

Long coupling R NPLCG



Description:

They can be used as expansion joints in ductwork or for connecting ducts at floor penetrations. The fitting is also perfect for connecting fire dampers to the ductwork.

Used Material:

Galvanized steel DX51, Class Z140.

Note:

The thickness of the galvanized sheet varies depending on the diameter.

Product Code Model

R NPLCG 125 133 0,5 mm Z140



Explanation:

R NPLCG Type

125 Diameter d1 [mm]

133 Length L [mm]

0,5 mm Thickness δ [mm]

Z140 Class

SKU	TYPE	Diameter d1 [mm]	L [mm]	A [mm]	Thickness δ [mm]			
99446	R NPLCG 125 133 0,5 mm Z140	125	133	50,0	0,50			
99447	R NPLCG 125 284 0,5 mm Z140	125	284	50,0	0,50			
99448	R NPLCG 125 548 0,5 mm Z140	125	548	50,0	0,50			
99449	R NPLCG 160 133 0,5 mm Z140	160	133	50,0	0,50			
99450	R NPLCG 160 284 0,5 mm Z140	160	284	50,0	0,50			
99451	R NPLCG 160 548 0,5 mm Z140	160	548	50,0	0,50			
99452	R NPLCG 200 133 0,5 mm Z140	200	133	50,0	0,50			
99453	R NPLCG 200 284 0,5 mm Z140	200	284	50,0	0,50			
99454	R NPLCG 200 548 0,5 mm Z140	200	548	50,0	0,50			
99455	R NPLCG 250 177 0,5 mm Z140	250	177	50,0	0,50			
99456	R NPLCG 250 297 0,5 mm Z140	250	297	50,0	0,50			
99457	R NPLCG 250 527 0,5 mm Z140	250	527	50,0	0,50			
99458	R NPLCG 300 177 0,6 mm Z140	300	177	50,0	0,60			
99459	R NPLCG 300 297 0,6 mm Z140	300	297	50,0	0,60			
99460	R NPLCG 300 527 0,6 mm Z140	300	527	50,0	0,60			
99461	R NPLCG 315 177 0,6 mm Z140	315	177	50,0	0,60			
99462	R NPLCG 315 297 0,6 mm Z140	315	297	50,0	0,60			
99463	R NPLCG 315 527 0,6 mm Z140	315	527	50,0	0,60			
99464	R NPLCG 355 177 0,6 mm Z140	355	177	50,0	0,60			
99465	R NPLCG 355 297 0,6 mm Z140	355	297	50,0	0,60			
99466	R NPLCG 355 527 0,6 mm Z140	355	527	50,0	0,60			
99467	R NPLCG 400 175 0,6 mm Z140	400	175	50,0	0,60			
99468	R NPLCG 400 297 0,6 mm Z140	400	297	50,0	0,60			
99469	R NPLCG 400 510 0,6 mm Z140	400	510	50,0	0,60			
99470	R NPLCG 450 175 0,6 mm Z140	450	175	50,0	0,60			
99471	R NPLCG 450 297 0,6 mm Z140	450	297	50,0	0,60			

Note

For the other sizes, please contact the commercial department.

SPIRAL® SYSTEM ROUND VENTILATION DUCTS AND FITTINGS

Long coupling R NPLCG



Product Code Model

R NPLCG 450 510 0,6 mm Z140



Male couplings with gasket

Explanation:

R NPLCG Type

450 Diameter d1 [mm]

510 Length L [mm]

0,6 mm Thickness δ [mm]

Z140 Class

SKU	TYPE	Diameter d1 [mm]	L [mm]	A [mm]	Thickness δ [mm]			
99472	R NPLCG 450 510 0,6 mm Z140	450	510	50,0	0,60			
99473	R NPLCG 500 175 0,6 mm Z140	500	175	50,0	0,60			
99474	R NPLCG 500 297 0,6 mm Z140	500	297	50,0	0,60			
99475	R NPLCG 500 510 0,6 mm Z140	500	510	50,0	0,60			
99476	R NPLCG 560 175 0,6 mm Z140	560	175	50,0	0,60			
99477	R NPLCG 560 297 0,6 mm Z140	560	297	50,0	0,60			
99478	R NPLCG 560 510 0,6 mm Z140	560	510	50,0	0,60			
99479	R NPLCG 600 175 0,6 mm Z140	600	175	50,0	0,60			
99480	R NPLCG 600 297 0,6 mm Z140	600	297	50,0	0,60			
99481	R NPLCG 600 510 0,6 mm Z140	600	510	50,0	0,60			
99482	R NPLCG 630 175 0,7 mm Z140	630	175	50,0	0,70			
99483	R NPLCG 630 297 0,7 mm Z140	630	297	50,0	0,70			
99484	R NPLCG 630 510 0,7 mm Z140	630	510	50,0	0,70			

Note

For the other sizes, please contact the commercial department.

SPIRAL®SYSTEM ROUND VENTILATION DUCTS AND FITTINGS

**Take-offs
with gasket**

Air intake 45°



Description:

Take-offs 45° with metal mesh

The Take-offs 45° is made of galvanized sheet which is provided with a metal mesh to prevent penetration from the outside of the elements from nature.

Used Material:

Galvanized steel DX51, Class Z140.

Note:

The thickness of the galvanized sheet varies depending on the diameter.

Product Code Model

R PRG45 125 0,5 mm Z140

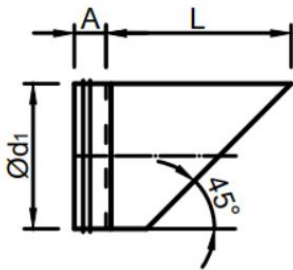
Explanation:

R PRG45 Type

125 Diameter d1 [mm]

0,5 mm Thickness δ [mm]

Z140 Class



SKU	TYPE	Diameter d1 [mm]	L [mm]	A [mm]	Thickness δ [mm]			
99246	R PRG45 125 0,5 mm Z140	125	175	50,0	0,50			
99247	R PRG45 160 0,5 mm Z140	160	210	50,0	0,50			
99248	R PRG45 200 0,5 mm Z140	200	250	50,0	0,50			
99249	R PRG45 250 0,5 mm Z140	250	300	50,0	0,50			
99250	R PRG45 300 0,6 mm Z140	300	350	50,0	0,60			
99251	R PRG45 315 0,6 mm Z140	315	365	50,0	0,60			
99252	R PRG45 355 0,6 mm Z140	355	405	50,0	0,60			
99253	R PRG45 400 0,6 mm Z140	400	450	50,0	0,60			
99254	R PRG45 450 0,6 mm Z140	450	500	50,0	0,60			
99255	R PRG45 500 0,7 mm Z140	500	550	50,0	0,70			
99256	R PRG45 560 0,7 mm Z140	560	610	50,0	0,70			
99257	R PRG45 600 0,7 mm Z140	600	650	50,0	0,70			
99258	R PRG45 630 0,7 mm Z140	630	680	50,0	0,70			
99259	R PRG45 710 0,7 mm Z140	710	760	50,0	0,70			
99260	R PRG45 800 0,8 mm Z140	800	850	50,0	0,80			
99261	R PRG45 900 0,8 mm Z140	900	950	50,0	0,80			
99262	R PRG45 1000 0,8 mm Z140	1000	1050	50,0	0,80			

Note

For the other sizes, please contact the commercial department.

SPIRAL® SYSTEM ROUND VENTILATION DUCTS AND FITTINGS

Take-offs with gasket

Take-off with mesh R TRPCG



Description:

The take-off with mesh is made of galvanized sheet which is provided with a metal mesh, it is mounted on the vent areas or on the end of the air ducts both on the introduction and on the exhaust.

Used Material:

Galvanized steel DX51, Class Z140.

Note:

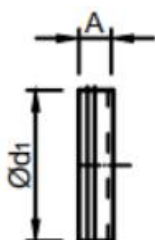
The thickness of the galvanized sheet varies depending on the diameter.

Product Code Model

R TRPCG 125 0,5 mm Z140

Explanation:

R TRPCG Type
125 Diameter d1 [mm]
0,5 mm Thickness δ [mm]
Z140 Class



SKU	TYPE	Diameter d1 [mm]	A [mm]	Thickness δ [mm]				
99282	R TRPCG 125 0,5 mm Z140	125	70	0,50				
99283	R TRPCG 160 0,5 mm Z140	160	70	0,50				
99284	R TRPCG 200 0,5 mm Z140	200	90	0,50				
99285	R TRPCG 250 0,5 mm Z140	250	90	0,50				
99286	R TRPCG 300 0,6 mm Z140	300	90	0,60				
99287	R TRPCG 315 0,6 mm Z140	315	90	0,60				
99288	R TRPCG 355 0,6 mm Z140	355	100	0,60				
99289	R TRPCG 400 0,6 mm Z140	400	100	0,60				
99290	R TRPCG 450 0,6 mm Z140	450	100	0,60				
99291	R TRPCG 500 0,7 mm Z140	500	105	0,70				
99292	R TRPCG 560 0,7 mm Z140	560	105	0,70				
99293	R TRPCG 600 0,7 mm Z140	600	105	0,70				
99294	R TRPCG 630 0,7 mm Z140	630	105	0,70				
99295	R TRPCG 710 0,7 mm Z140	710	140	0,70				
99296	R TRPCG 800 0,8 mm Z140	800	140	0,80				
99297	R TRPCG 900 0,8 mm Z140	900	140	0,80				
99298	R TRPCG 1000 0,8 mm Z140	1000	155	0,80				

Note

For the other sizes, please contact the commercial department.